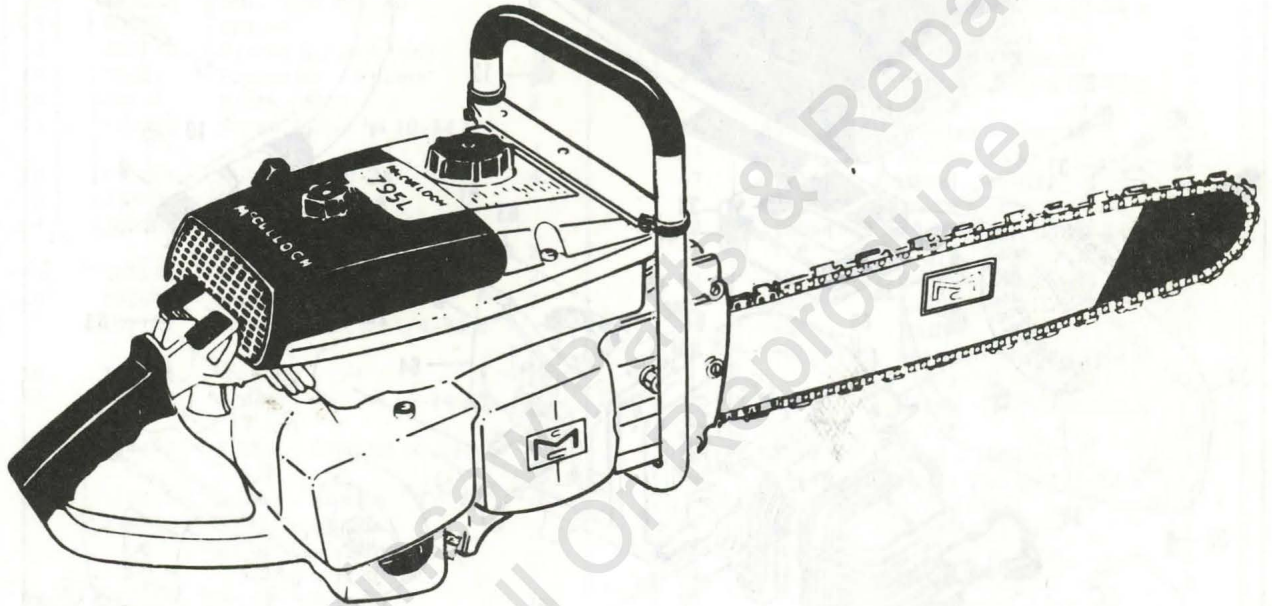


MODEL 795L Chain Saw

MODEL 600127 SERIAL NUMBERS PREFIXED 10-

11-

ILLUSTRATED PARTS LIST



December 1970

This Parts List supersedes Parts List 83494

The policy of McCulloch Corporation is one of continual improvement in design, manufacturing and engineering advancement wherever possible to assure still finer two-cycle power tools. Hence, specifications, equipment, colors, design and manufacturer's suggested list prices are subject to change without notice and McCulloch Corporation reserves the right to make such changes without prior notification or obligation to backfit or supply backfit components for units previously shipped from the factory.

	Page
Figure 1. Engine Exploded View - General	2
Figure 2. Fuel System Components	4
Figure 3. Carburetor Assembly	6
Figure 4. Chain Oiler Assemblies	8
Figure 5. Starter, Clutch and Clutch Guard Assemblies	10
Figure 6. Powerhead Assembly	12
Figure 7. Handle and Control Assembly	14

 **McCULLOCH**

Model 795L

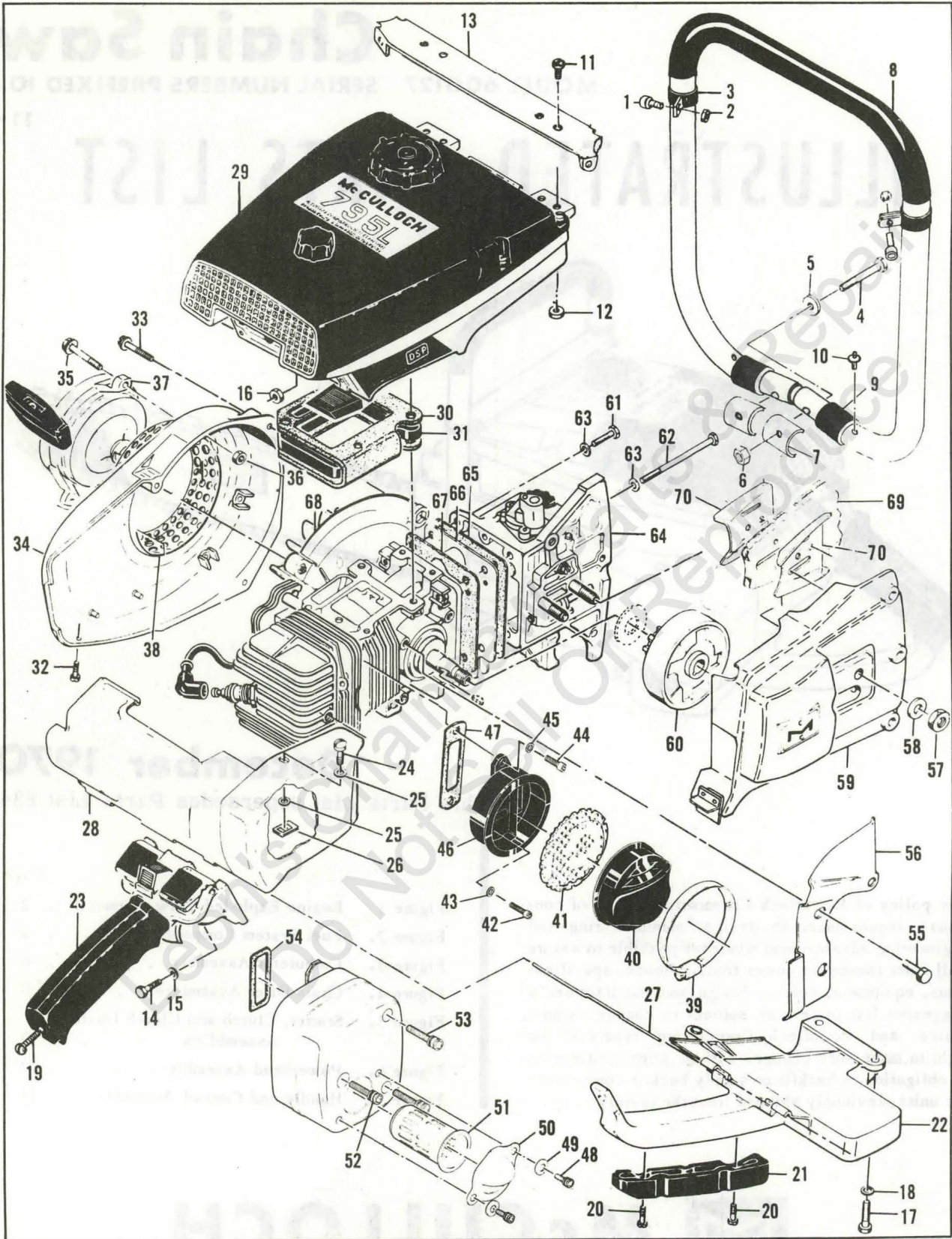


Figure 1. Engine Exploded View - General

FIGURE 1. ENGINE EXPLODED VIEW - GENERAL

Item No.	Part Number	Description	Units Per Assy
1	-102660	Screw - Skt hd 10-24 x 7/8	2
2	105367	Nut - Hex 10-24	2
3	103923	Clamp - Frame	2
4	102125	Screw - Hexhd 1/4-20 x 1-3/4	2
5	100950	Washer - 1/4	2
6	105394	Nut - Hex 1/4-20	2
7	83233	Spacer	2
8	60231A	Frame & Grip Assy	1
9	69885	Protector - Frame	2
10	-84795	Rivet - Stop	2
11	104393	Screw - Pan hd 10-24 x 3/8	4
12	101191	Nut - Hex 10-24	4
13	83363	Brace - Frame	1
14	102761	Screw - Hex hd 10-24 x 7/8	2
15	102189	Washer - #10	2
16	102067	Nut - Hex 10-24	2
17	102121	Screw - Hex hd 1/4-20 x 7/8	2
18	100005	Washer - 1/4	2
19	104397	Screw - Pan hd 10-24 x 7/8	1
20	104483	Screw - Bind hd 10-24 x 5/8	2
21	55941	Insert - Handle	1
22	57872	Brace - Handle	1
23		Handle & Control Assy (See Figure 7)	
24	51351	Screw - Special	1
25	100005	Washer - 1/4	2
26	-103741	Retainer	1
27	55885	Pin - Shroud	1
28	66259	Shroud Assy	1
29		Fuel System Components (See Figure 2)	
30	65625	Gasket - Fuel tank insulator	1
31	53684A	Insulator - Fuel tank	1
32	102500	Screw - Pan hd 10-24 x 1/2	1
33	104816	Screw - Hex hd 10-24 x 1/4 (SEMS)	3
34	57892	Housing - Fan	1
35	104815	Screw - Hex hd 10-24 x 7/8 (SEMS)	3
36	-101326	Nut - Hex 10-24	3

Item No.	Part Number	Description	Units Per Assy
37		Starter Assy (See Figure 5)	
38	-84629	Guard - Sawdust	1
	* 68240	Kit - Muffler	1
39	* 83368	. Clamp Assy	1
40	* 68238	. Top Assy	1
41	* 69325	. Baffle	1
42	* 101563	. Screw - Skt hd 10-24 x 1-1/4	1
43	* 83745	. Washer - Special	1
44	* 104895	. Screw - Skt hd 10-24 x 5/8	2
45	* 83745	. Washer - Special	2
46	* 68241	. Bottom Assy	1
47	* 53652	Gasket - Muffler	1
	** -84205	Muffler Assy	1
48	** -110664	. Screw - Skt hd 10-24 x 3/8	2
49	** -84210	. Washer - Special	2
50	** -84203	. Deflector	1
51	** -84690	. Baffle	1
52	** -100280	. Screw - Skt hd 10-24 x 3/4	1
53	** -102660	. Screw - Skt hd 10-24 x 7/8	2
54	** -83379	Gasket - Muffler	1
55	104133	Screw - Pan hd 1/4-20 x 5/8 (SEMS)	3
56	69464	Jacket - Cylinder	1
57	110625	Nut - Hex 3/8-24	2
58	-84623	Washer - Special	2
59		Clutch Guard Assy (See Figure 5)	
60		Sprocket & Clutch Assy (See Figure 5)	
61	103258	Screw - Hex hd 1/4-20 x 1-1/8	2
62	102127	Screw - Hex hd 1/4-20 x 3-1/4	2
63	100005	Washer - 1/4	4
64		Oiler Housing Assy (See Figure 4)	
65	60252	Gasket - Oiler housing	1
66	60251A	Cover - Crankcase bottom	1
67	65578	Gasket - Bottom cover	1
68		Powerhead Assy (See Figure 6)	
69		Bar & Chain Assy	
70	64935	Plate - Bar protector	2

* Used on models with serial numbers prefixed 10-.

** Used on models with serial numbers prefixed 11-.

Part numbers which have changed since the previous printing of the illustrated parts list covering these saws, are indicated by a dash (-) preceding the new part number.

Model 795L

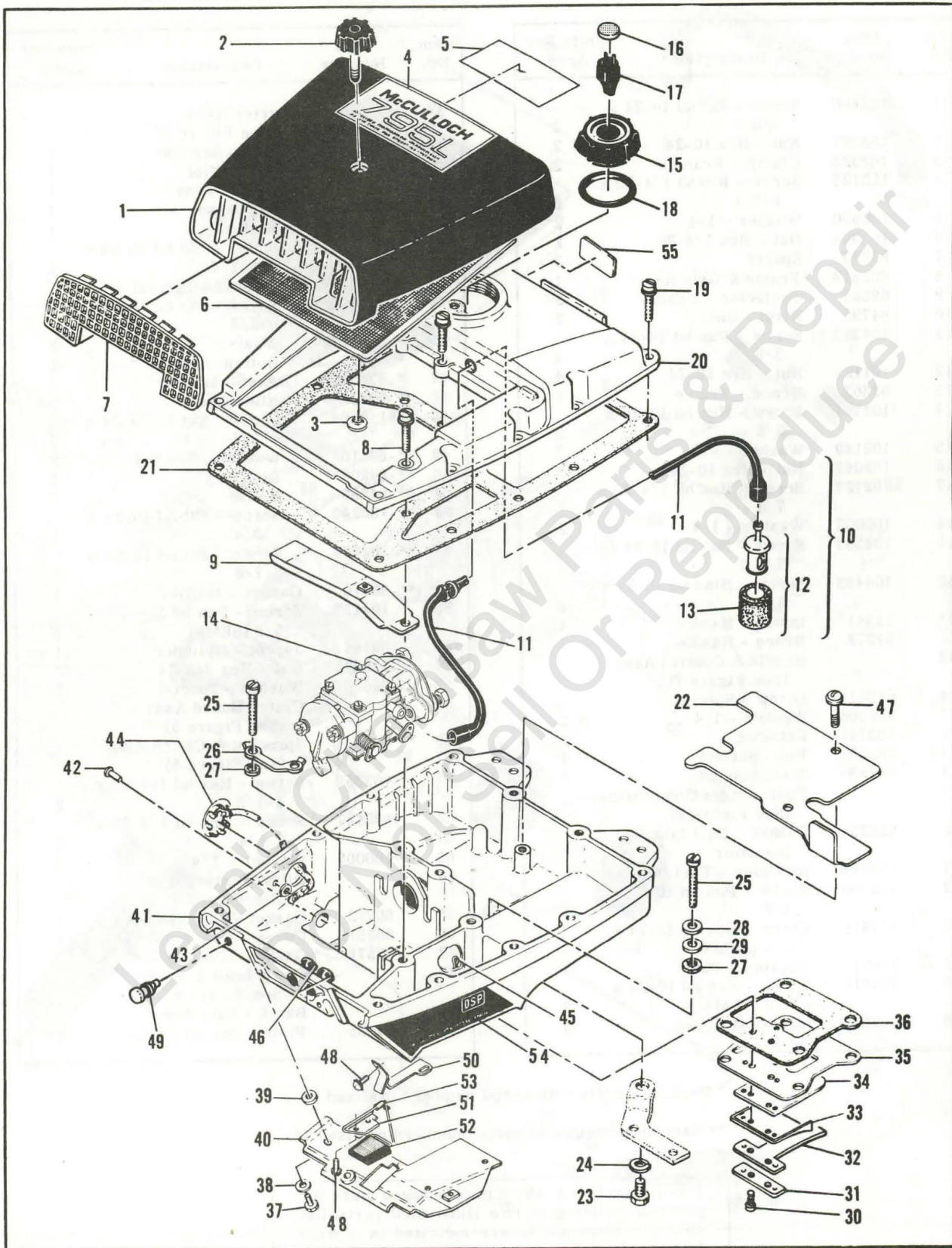


Figure 2. Fuel System Components

FIGURE 2. FUEL SYSTEM COMPONENTS

Item No.	Part Number	Description	Units Per Assy
1	60427A	Cover Assy - Air cleaner	1
2	60243	. Knob - Air cleaner cover	1
3	83367	. Retainer	1
4	83430	Nameplate	1
5	83559	Instruction Plate	1
6	55498	Screen Assy - Air cleaner	1
7	55659	Grill - Air cleaner cover	1
8	104396	Screw - Pan hd 10-24 x 3/4	1
9	55634	Anchor Assy	1
10	63831	Hose Assy - Fuel	1
11	63669	. Hose - Fuel	1
12	53679B	. Pickup Assy - Fuel	1
13	61159	. . Filter - Fuel pickup	1
14		Carburetor Assy (Figure 3)	
15	55934B	Cap Assy - Fuel	1
16	55063	. Filter - Fuel cap	1
17	53766A	. Valve - Fuel cap	1
18	101348	"O" Ring	1
19	104396	Screw - Pan hd 10-24 x 3/4	14
20	69001	Cover - Fuel tank	1
21	65632	Gasket - Fuel tank	1
22	63650	Liner - Fuel tank	1
23	102151	Screw - Hex hd 1/4-20 x 1/2	1
24	105043	Lockwasher	1
25	55948A	Screw - Hex hd 10-24 x 1-1/8	4
26	68654	Lockplate - Fuel tank	1
27	68203	Washer - Insulating	4
28	102189	Washer - #10	2
29	103744	Washer - Sealing	2

Item No.	Part Number	Description	Units Per Assy
30	103740	Screw - Hex hd 8-32 x 5/8	2
31	51480	Lockplate	1
32	57658A	Clamp - Reed	1
33	66274	Deflector - Fuel	1
34	48593	Valve - Reed	1
35	53685C	Plate - Reed	1
36	65657	Gasket - Fuel tank	1
37	102388	Screw - Hex hd 10-24 x 5/8	3
38	102189	Washer - #10	3
39	68203	Washer - Insulating	2
40	63652	Shroud Assy - Cylinder	1
41	63873	Bottom Assy - Fuel tank	1
42	104504	. Rivet	1
43	101871	. Washer - 1/8	1
44	51396A	. Cover Assy - Adjustment hole	1
45	104310	. Pin - Cotter	1
46	68258	. Grommet	2
47	110054	. Screw - Pan hd 6-32 x 3/8 (SEMS)	2
48	105249	. Screw - 8-32 x 3/8 (SEMS)	3
49	69360	Plug	2
50	64582	Retainer - Lever	1
51	63619	Plate - Lever retainer	1
52	63914A	Lever Assy - Compression release	1
53	63827	Spring - Lever	1
54	66269	Emblem - Fuel tank (DSP)	1
55	59445	Decal - Oiler	1

Leon's Chainsaw Parts
Do Not Sell Or Reproduce

Model 795L

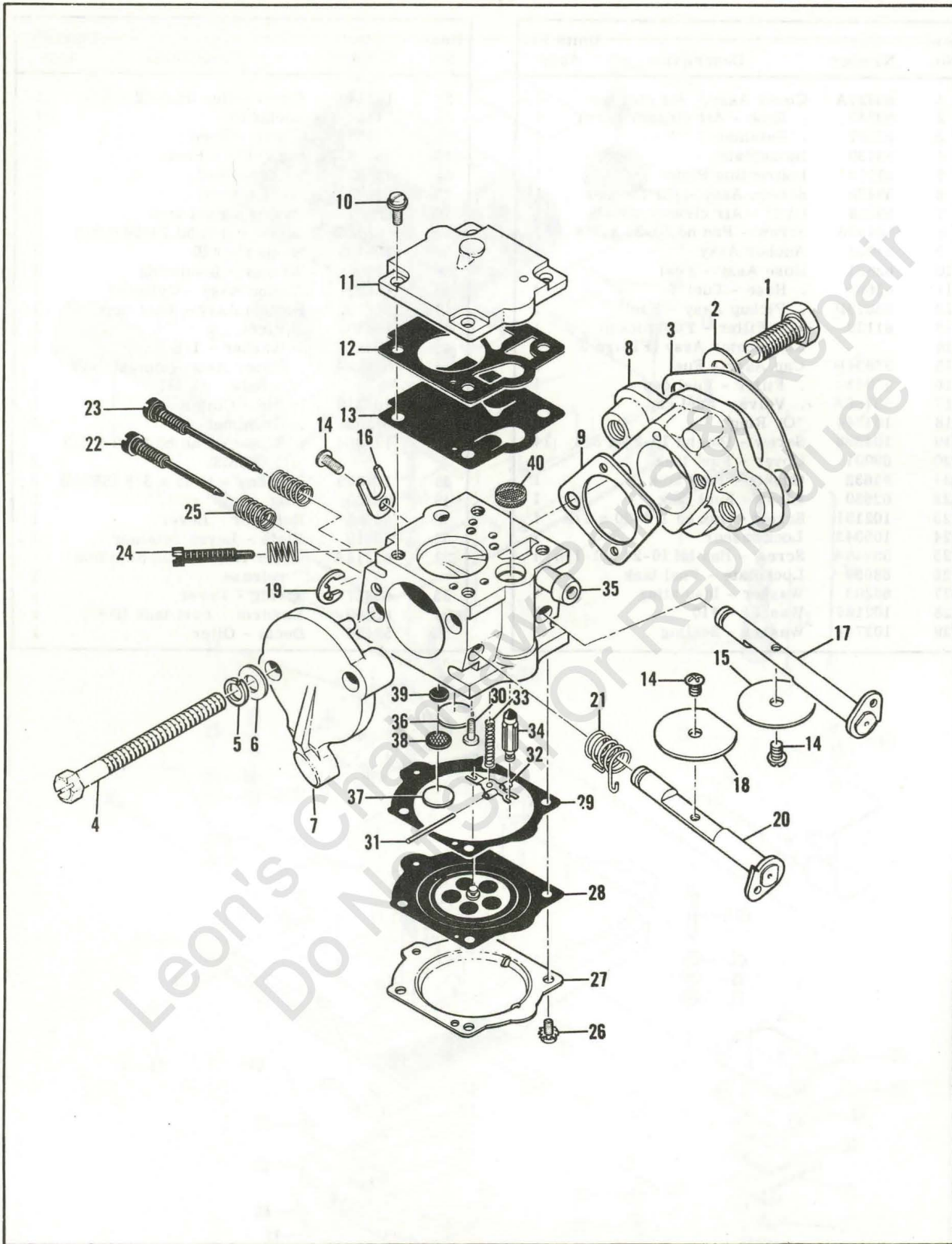


Figure 3. Carburetor Assembly

FIGURE 3. CARBURETOR ASSEMBLY

Item No.	Part Number	Description	Units Per Assy	Item No.	Part Number	Description	Units Per Assy
1	100882	Screw - Hex hd 1/4-20 x 1-1/4	2	21	*83752	. Spring - Choke return	1
2	100005	Washer - 1/4	2	22	*68104	. Needle - High speed adj.	1
3	65586	Gasket - Adapter	1	23	*68105	. Needle - Idle adj.	1
4	110614	Screw - Hex hd 10-24 x 2-3/8	2	24	*68106	. Screw - Idle speed adj.	1
5	103174	Lockwasher - #10	2	25	*67502	. Spring - Adjustment	3
6	24236	Washer - Special	2	26	70798	. Screw - Diaphragm cover	4
7	83734	Shield - Spitback	1	27	83761	. Cover - Diaphragm	1
8	83722	Adapter - Carburetor	1	28	*67499	. Diaphragm	1
9	83059	Gasket - Carburetor	1	29	*67496	. Gasket - Diaphragm	1
	83733	Carburetor Assy	1	30	*67500	. Screw - Lever pin	1
10	67501	. Screw - Pump cover	4	31	*67508	. Pin - Lever	1
11	83760	. Cover - Pump	1	32	*67509	. Lever - Metering	1
12	*67495	. Gasket - Cover	1	33	*67503	. Spring - Lever	1
13	*83114	. Diaphragm - Pump	1	34	*67491	. Valve - Needle	1
14	*47690	. Screw - Plate	3	35	83765	. Body Assy - Carburetor	1
15	83762	. Plate - Throttle	1	36	*71690	. Plug - 3/8	1
16	67489	. Clip - Throttle shaft	1	37	*69506	. Plug - 5/16	1
17	83766	. Shaft Assy - Throttle	1	38	69203	. Seat Assy	1
18	67490	. Plate - Choke	1	39	69204	. Valve	1
19	68211	. Ring - Retaining	1	40	*67507	. Screen - Fuel	1
20	83767	. Shaft Assy - Choke	1		*67482	Gasket Set	
					83768	Repair Kit	

* Indicates parts included in Repair Kit, P/N 83768

Leon's Chainsaw Parts & Repairs
Do Not Sell Or Reproduce

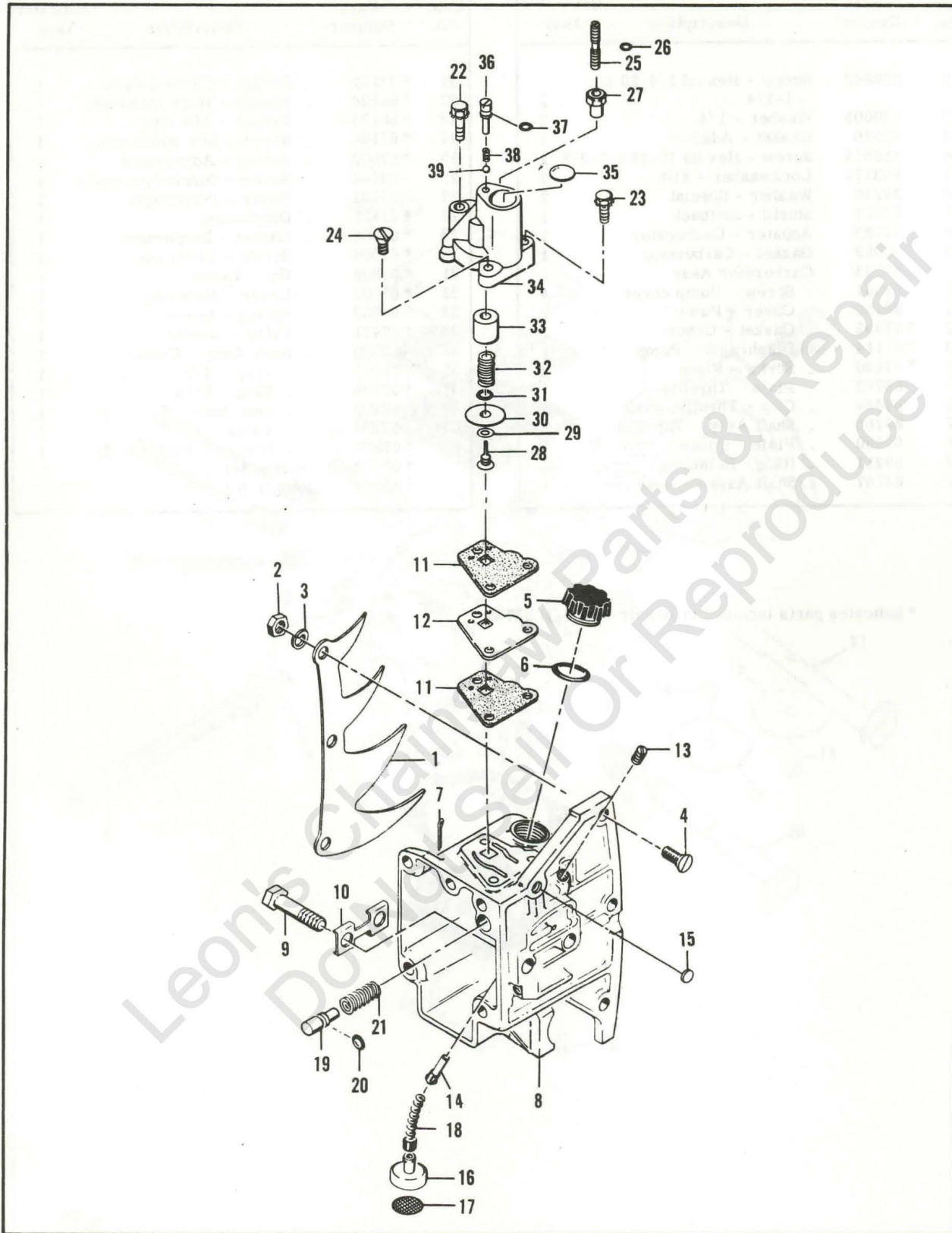


Figure 4. Chain Oiler Assembly

FIGURE 4. CHAIN OILER ASSEMBLY

Item No.	Part Number	Description	Units Per Assy	Item No.	Part Number	Description	Units Per Assy
1	61331	Kit - Spike 4-tooth	1	22	110257	Screw - Hex hd 10-24 x 1-3/4 (SEMS)	1
2	100152	. Nut - Hex 1/4-20	3	23	110127	Screw - Hex hd 10-24 x 7/8 (SEMS)	1
3	100153	. Lockwasher	3	24	110245	Screw - Flat hd 10-24 x 3/4	1
4	102088	. Screw - Flat hd 1/4-20 x 3/4	3	83135	Pump Assy - Pulse	1	
5	- 57129A	Cap - Oiler tank	1	25	67929	. Screw - Set 10-24 x 1-1/4	1
6	101148	"O" Ring - Oiler tank cap	1	26	104001	. "O" Ring	1
7	104062	Pin - Cotter	1	27	60976	. Locknut 10-24	1
8	63060	Housing Assy - Oiler	1	28	60260A	. Piston Assy	1
9	51423B	. Bolt - Bar mounting	2	29	60937	. Washer	1
10	51439	. Plate - Lock	1	30	60263	. Ring - Piston	1
11	68794	. Gasket - Oil pump	2	31	104001	. "O" Ring - Piston	1
12	67471	. Spacer - Pump body	1	32	60259	. Spring - Piston	1
13	104869	. Plug - Pipe 1/16-27	1	33	67918	. Sleeve - Piston	1
14	51982A	. Check Valve Assy - Oiler	1	34	83132	. Body Assy - Pulse pump	1
15	105677	. Plug - Expansion 3/8	1	35	110157	. Plug - Expansion 5/8	1
16	51505	Weight Assy - Oil line hose	1	36	60397A	. Screw - Fil hd	1
17	51506	. Screen - Oil intake	1	37	60398B	. Washer	1
18	28007	Hose - Flexible	1	38	60396B	. Spring - Ball check	1
19	63642	Piston Assy - Oiler	1	39	102809	. Ball	1
20	103198	. "O" Ring - Oiler piston	1				
21	51946	. Spring - Oiler	1				

Leon's Chainsaw Parts
Do Not Sell Or Reproduce

Model 795L

FIGURE 4. CHAIN OILER ASSEMBLY

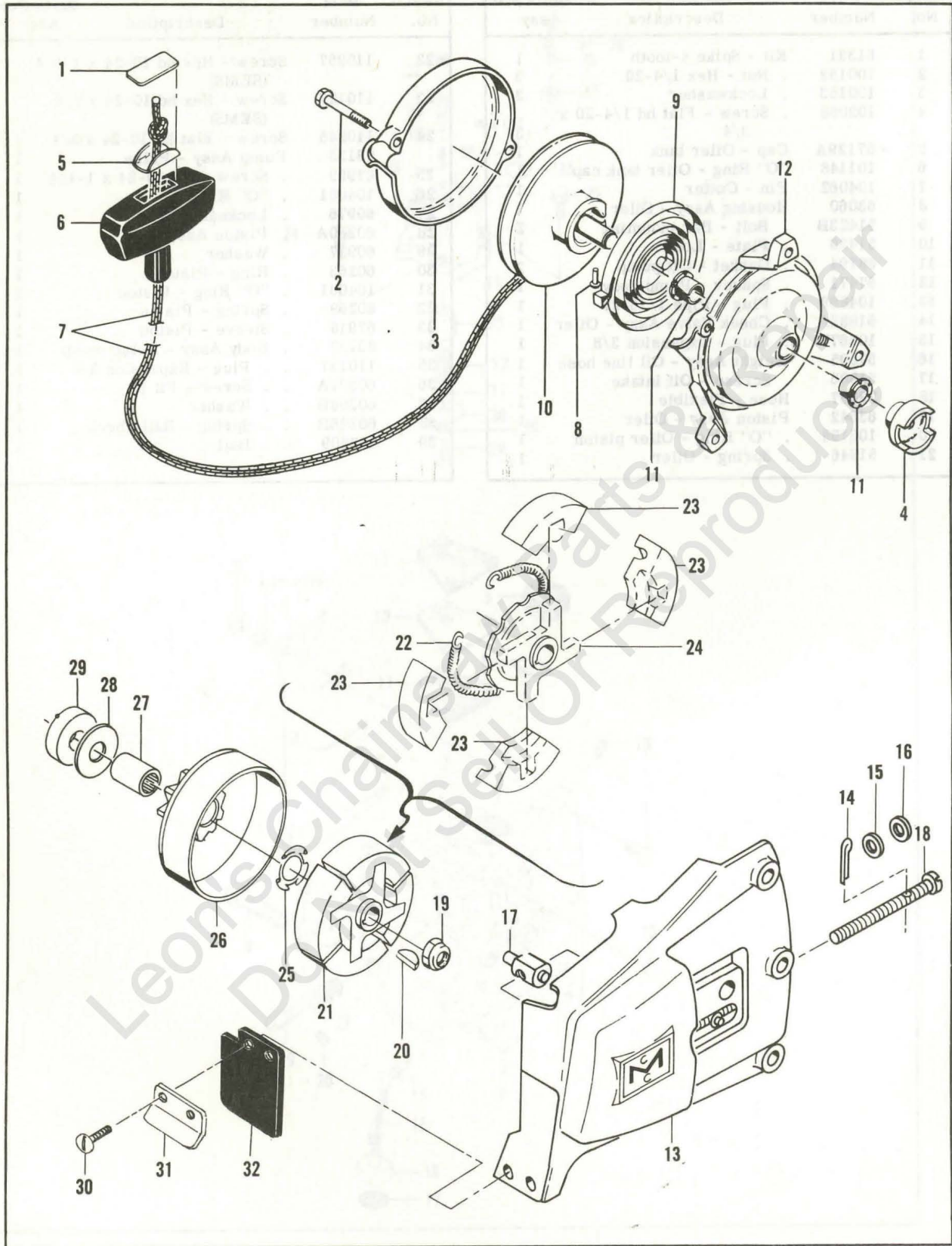


Figure 5. Starter, Clutch and Clutch Guard Assemblies

FIGURE 5. STARTER, CLUTCH AND CLUTCH GUARD ASSEMBLIES

Item No.	Part Number	Description	Units Per Assy
	-84211	Starter Assy	1
1	57232	. Plate - Starter handle	1
2	104396	. Screw - Pan hd 10-24 x 3/4	2
3	60647	. Cover - Starter	1
4	57790	. Ratchet - Starter	1
5	57231	. Cup - Starter handle	1
6	57230	. Handle - Starter	1
7	28716	. Rope - Starter	1
8	101136	. Rivet	1
9	51665	. Spring - Rewind	1
10	57792	. Drum - Starter	1
11	* 57535	. Bushing - Starter base	2
12	-84212	. Base - Starter	1
13	83570	Guard Assy - Clutch	1
14	105686	. Pin - Cotter	1
15	100004	. Washer - 1/4	1
16	-100005	. Washer - 1/4	1
17	52207C	. Nut - Bar adjusting	1

Item No.	Part Number	Description	Units Per Assy
18	62057	. Screw - Bar adjusting	1
19	103746	Nut - Flexloc	1
20	103879	Key - Woodruff	1
21	60315	Clutch Assy	1
22	51468A	. Spring - Clutch	1
23	51464A	. Shoe - Clutch	4
24	60316	. Rotor Assy	1
25	103718	Spring - Thrust	1
	51774B	Sprocket, Drum & Bearing Assy	1
26	-51775C	. Sprocket & Drum Assy	1
27	103688	. Bearing	1
28	51420	Washer - Sprocket	1
29	57785A	Seal - Felt	1
30	110041	Screw - Pan hd 8-32 x 1/2	2
31	69492	Retainer - Deflector	1
32	69477	Deflector - Sawdust	1

* Used on models with serial numbers prefixed 10-.

Leon's Chainsaw Parts & Reproduction
Do Not Sell Or Reproduce

Model 795L

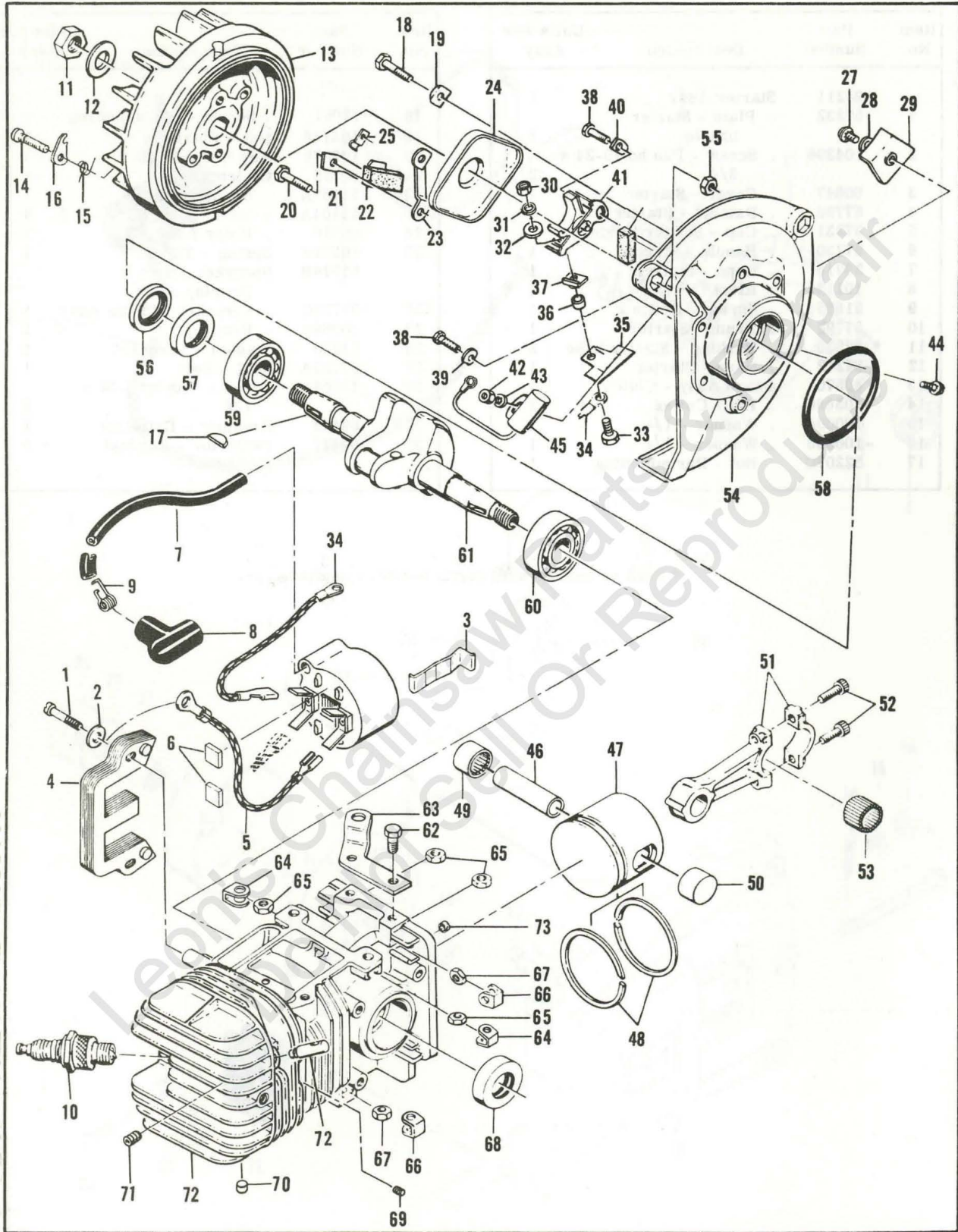


Figure 6. Powerhead

FIGURE 6. POWERHEAD

Item No.	Part Number	Description	Units Per Assy
1	104815	Screw - Hex hd 10-24 x 7/8 (SEMS)	2
2	100352	Washer - #10	2
3	51253	Retainer - Coil	1
4	51251	Lamination Assy - Coil	1
5	63639	Wire Assy - Ground	1
	-69798	Coil & Terminal Assy	1
6	67863	. Spacer - Coil	2
7	-69966	. Wire Assy - Spark plug	1
8	62926	. . Boot - Spark plug	1
9	62932	. . Connector - Spark plug wire	1
10	63097	Plug - Spark AC CS 45T	1
11	101179	Nut - Hex 7/16-20	1
12	101270	Washer - Special	1
13	68282	Flywheel & Pawl Assy	1
14	36144B	. Pin - Starter pawl	2
15	66351	. Spring - Pawl	2
16	24093	. Pawl - Starter	2
17	103879	Key - Woodruff	1
18	102763	Screw - Hex hd 10-24 x 3/4	2
19	36388	Lockplate	1
20	102763	Screw - Hex hd 10-24 x 3/4	4
21	57815	Strap - Seal	1
22	50664	Seal - Breaker box drain	1
23	55977	Clip - Breaker box cover	2
24	55766B	Cover - Breaker box	1
25	104230	Speednut	1
26	54184	Wiper - Felt	1
27	110055	Screw - Fil hd 8-32 x 3/8 (SEMS)	1
28	100080	Washer - #8	1
29	57829	Clamp - Ignition wire	1
30	104551	Nut - Hex 8-32	1
31	104553	Lockwasher - #8	1
32	100080	Washer - #8	1
33	110338	Screw - Hex hd 8-32 x 9/16	1
34	63628	Wire Assy - Primary	1
35	55782A	Insulator	1
36	57769	Insulator - Ignition screw	1
37	57770A	Insulator - Breaker spring	1

Item No.	Part Number	Description	Units Per Assy
38	104733	Screw - Fil hd 8-32 x 1/2 (SEMS)	2
39	57767A	Lockplate	1
40	55778E	Washer - Breaker retainer	1
41	57765B	Breaker Assy	1
42	100251	Nut - Hex 8-32	1
43	100057	Lockwasher - #8	1
44	103748	Screw - Hex hd 8-32 x 1/2	1
45	61650	Condenser	1
46	-69408	Pin - Piston	1
47	62883	Piston Assy	1
48	62422	. Ring Set - Piston	1
49	-104519	. Bearing - Needle	1
50	62868	. Bearing - Needle (Closed end)	1
51	47903	Connecting Rod Assy	1
52	60210A	. Screw - Special	2
53	69891	. Roller - Needle	24
54	-84193	Crankcase Cover Assy	1
55	101326	. Nut - Hex 10-24	3
56	57897	. Seal - Oil	1
57	57898	. Seal - Oil	1
58	104523	"O" Ring	1
59	100824	Bearing - Ball	1
60	104490	Bearing - Ball	1
61	58128	Crankshaft	1
62	102762	Screw - Hex hd 10-24 x 1/2	2
63	53271	Bracket - Fuel tank mounting	1
	67421	Cylinder Assy - Crankcase	1
64	28053	. Retainer - Nut	2
65	101326	. Nut - Hex 10-24	4
66	18556A	. Retainer - Nut	6
67	105394	. Nut - Hex 1/4-20	6
68	57732	. Seal - Oil	1
69	* 110034	. Insert - Taplok	2
	** - 83374	. Insert - Taplok	2
70	* 110340	. Plug - Expansion	3
	** - 110685	. Plug - Cup	3
71	103614	. Screw - Skt hd 1/4-20 x 3/8	1
72	69877	. Valve - DSP	1
73	57736	Seal - Pushrod	1

* Used on models with serial numbers prefixed 10-.

** Used on models with serial numbers prefixed 11-.

Model 795L

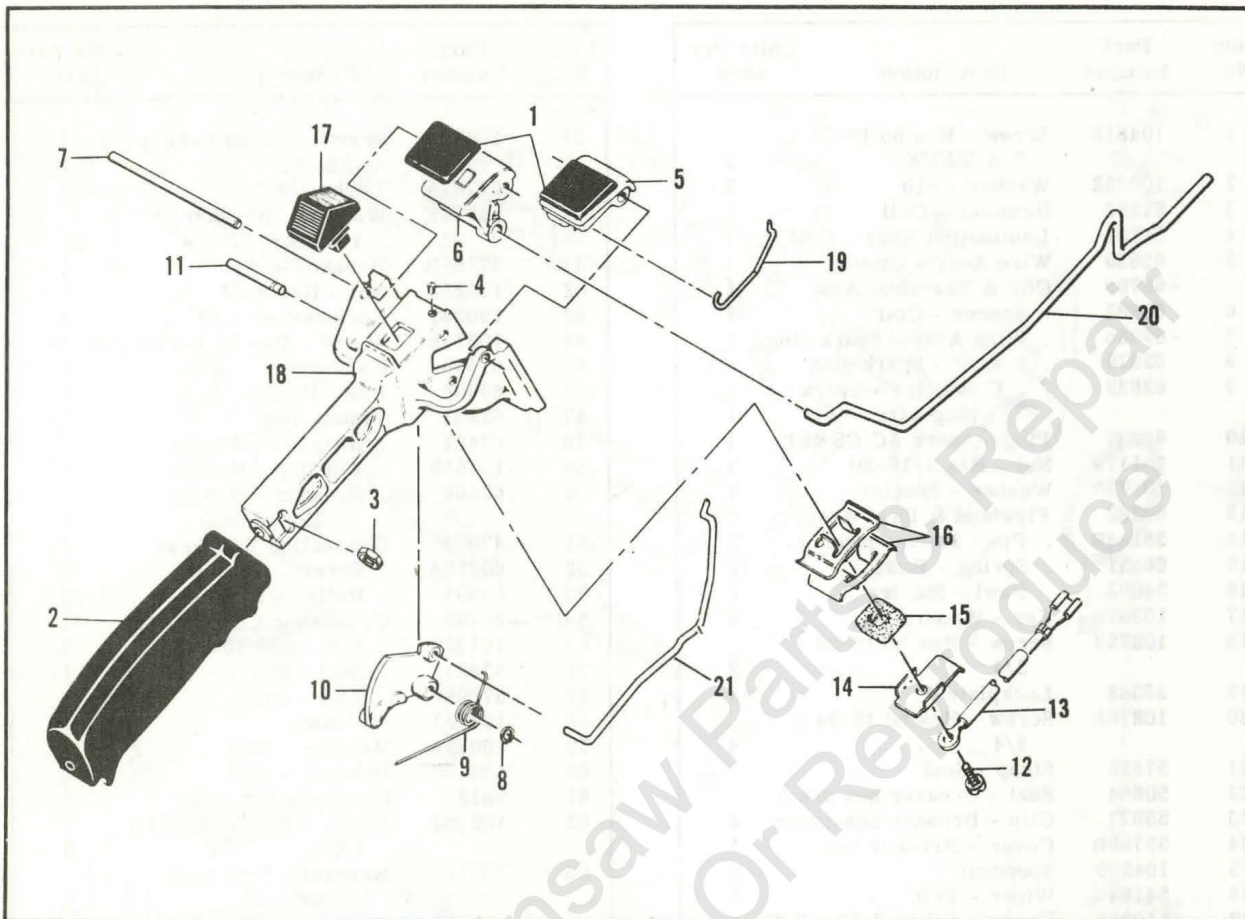


Figure 7. Handle and Control Assembly

FIGURE 7. HANDLE AND CONTROL ASSEMBLY

Item No.	Part Number	Description	Units Per Assy
1	55670	Grommet	2
	64860	Handle and Control Assy	1
2	55624A	. Grip - Handle	1
3	101326	. Nut - Hex 10-24	1
4	104484	. Screw - Set 8-32 x 1/4	1
5	55968A	. Button - Choke	1
6	55969A	. Button - Oiler control	1
7	51344A	. Shaft - Choke and Oiler buttons	1
8	104501	. Retainer - Trigger pin	1
9	55674	. Spring - Trigger return	1
10	63663	. Trigger	1

Item No.	Part Number	Description	Units Per Assy
11	50507	. Pin - Trigger	1
12	103672	. Screw - Fil hd 8-32 x 1/2 (SEMS)	1
13	63662	. Wire Assy - Stop switch	1
14	51279	. Contact - Switch	1
15	51555	. Insulator - Switch	1
16	51554A	. Detent - Switch	2
17	57718	. Button - Switch	1
18	55986	. Handle	1
19	83706	Pushrod - Choke	1
20	51857B	Pushrod - Oiler	1
21	83705	Pushrod - Throttle	1

ACCESSORIES

Part Number	Description
Wide Ring	
62884	Piston Assy - 0.030 in. oversize
62423	. Ring Set - 0.030 in. oversize
Thin Ring	
62877	Piston Assy - Standard size
58353	. Ring Set - Standard size
62878	Piston Assy - 0.010 in. oversize
58394	. Ring Set - 0.010 in. oversize
62879	Piston Assy - 0.020 in. oversize
58354	. Ring Set - 0.020 in. oversize
62880	Piston Assy - 0.030 in. oversize
58395	. Ring Set - 0.030 in. oversize

Part Number	Description
65712	Guide - Timing
63432	Spark Plug - AC CS 42T
65778	Spark Plug - AC CS 41T
69332	Kit - Spark arrester baffle (For Muffler Kit 68240)
-84688	Kit - Spark arrester baffle (For Muffler Kit 85205)
61040	Wrench - Screwdriver
64797	Wrench - Spark plug
-101522	Wrench - Muffler
-84381	Manual - Owner's

SERVICE SPECIFICATIONS

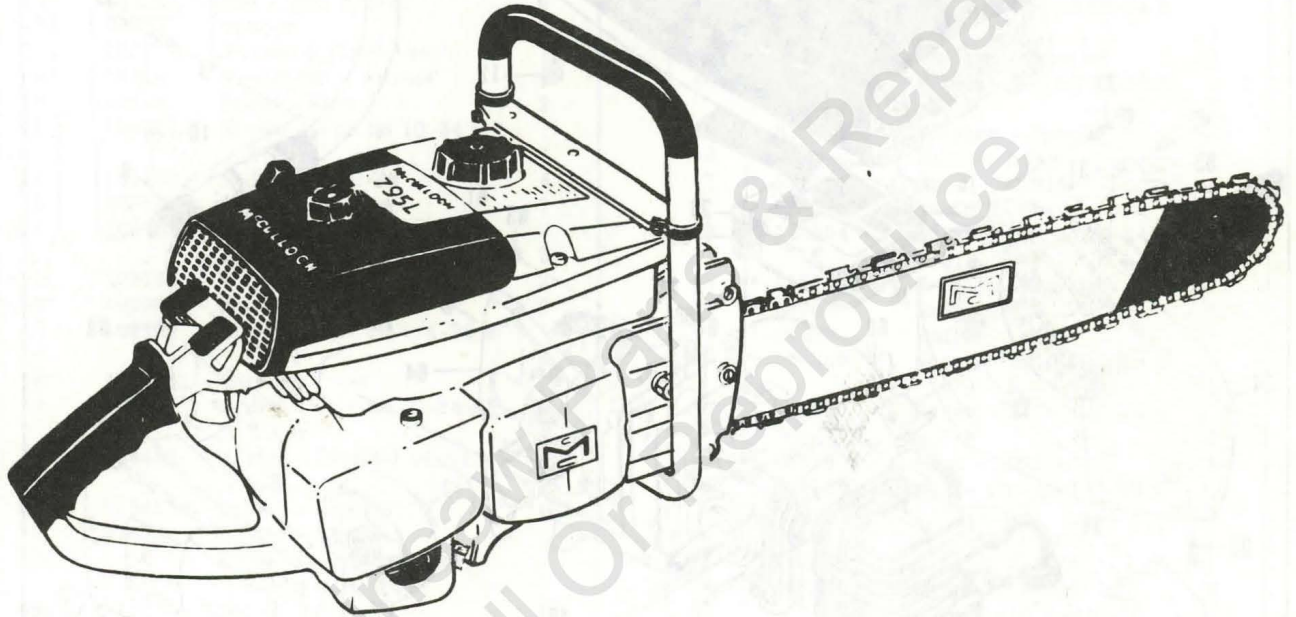
Spark Plug Gap -----	0.025 in.
Lamination Gap -----	0.010 to 0.015 in.
Breaker Point Gap -----	0.018 in.
Carburetor Adjustment	
Idle Needle - Preliminary adjustment	1 turn open.
	Adjust for smooth idle and acceleration.
Main Needle - Preliminary adjustment	1 turn open.
	Adjust for maximum power under load.
Torque Values	
Flywheel Nut -----	350 to 400 inch-pounds.
Clutch Nut -----	240 to 300 inch-pounds.
Connecting Rod Screws -----	105 to 110 inch-pounds.

MODEL 795L Chain Saw

MODEL 600127 SERIAL NUMBERS PREFIXED 10-

11-

ILLUSTRATED PARTS LIST



December 1970

This Parts List supersedes Parts List 83494

The policy of McCulloch Corporation is one of continual improvement in design, manufacturing and engineering advancement wherever possible to assure still finer two-cycle power tools. Hence, specifications, equipment, colors, design and manufacturer's suggested list prices are subject to change without notice and McCulloch Corporation reserves the right to make such changes without prior notification or obligation to backfit or supply backfit components for units previously shipped from the factory.

	Page
Figure 1. Engine Exploded View - General . . .	2
Figure 2. Fuel System Components . . .	4
Figure 3. Carburetor Assembly . . .	6
Figure 4. Chain Oiler Assemblies . . .	8
Figure 5. Starter, Clutch and Clutch Guard Assemblies . . .	10
Figure 6. Powerhead Assembly . . .	12
Figure 7. Handle and Control Assembly . . .	14



McCULLOCH