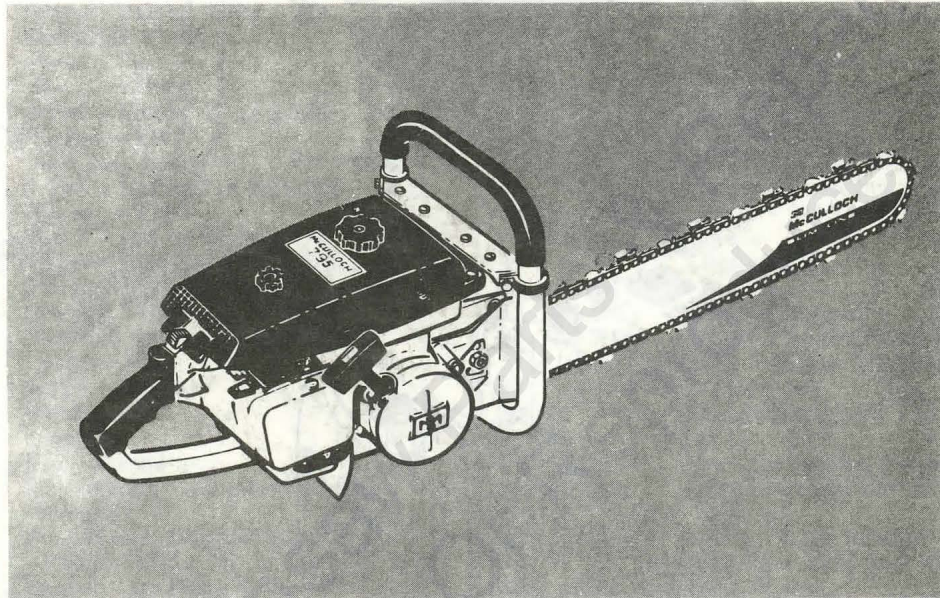


Model 795 Chain Saw

Model Number 600126

Serial Numbers Prefixed 10-

ILLUSTRATED PARTS LIST



September, 1967

The policy of McCulloch Corporation is one of continual improvement in design, manufacturing and engineering advancement wherever possible to assure still finer two-cycle power tools. Hence, specifications, equipment, colors, design and manufacturer's suggested list prices are subject to change without notice and McCulloch Corporation reserves the right to make such changes without prior notification or obligation to backfit or supply backfit components for units previously shipped from the factory.

	GRID
Figure 1. Engine Exploded View - General ..	B-11
Figure 2. Fuel System Components	B-13
Figure 3. Carburetor and Fuel Collector ...	C-1
Figure 4. Starter and Clutch Assembly	C-3
Figure 5. Chain Oiler Assemblies	C-5
Figure 6. Powerhead Assembly	C-7
Figure 7. Handle and Control Assembly	C-9



McCULLOCH

MODEL 795

For service specifications, refer to Grid B-10

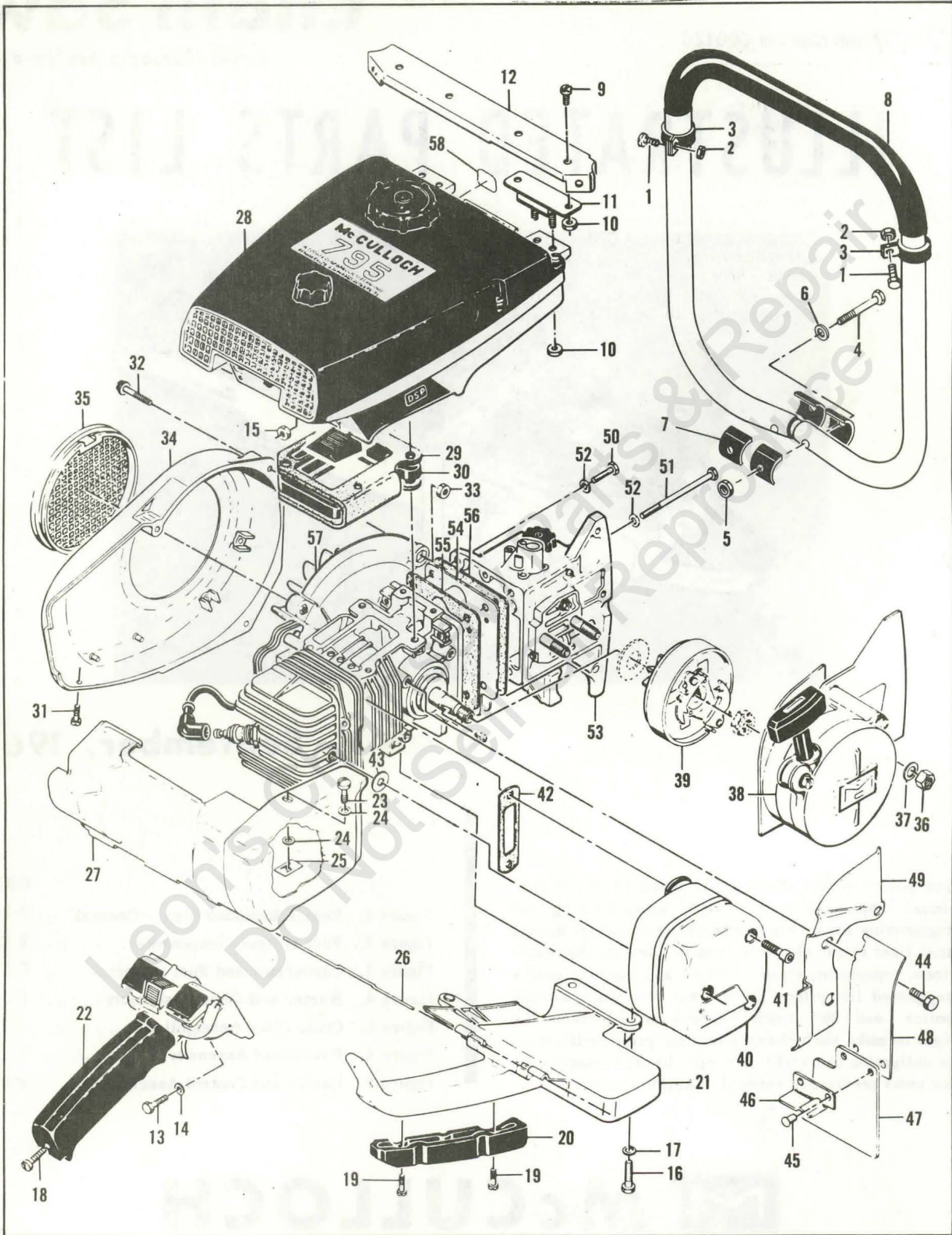


Figure 1. Engine Exploded View - General

Figure 1. Engine Exploded View - General

Item No.	Part Number	Description	Units Per Assy
1	102761	Screw - Hex hd 10-24 x 7/8	2
2	-105367	Nut - Hex 10-24	2
3	103923	Clamp	2
4	102125	Screw - Hex hd 1/2 x 1-3/4	2
5	105394	Nut - Hex 1/4-20	2
6	-100950	Washer - 1/4	2
7	50062	Insulator	4
8	60231A	Frame & Grip Assy	1
9	104393	Screw - Pan hd 10-24 x 3/8	4
10	101191	Nut - Hex 10-24	8
11	55606B	Mount - Shock	2
12	55637	Brace - Frame	1
13	102761	Screw - Hex hd 10-24 x 7/8	2
14	102189	Washer - #10	2
15	102067	Nut - Hex 10-24	2
16	102121	Screw - Hex hd 1/4-20 x 7/8	2
17	100005	Washer - 1/4	2
18	104397	Screw - Pan hd 10-24 x 7/8	1
19	104483	Screw - Bind hd 10-24 x 5/8	2
20	55941	Insert - Handle	1
21	57872	Brace - Handle	1
22		Handle & Control Assy (See Figure 7)	1
23	51351	Screw - Special	1
24	100005	Washer - 1/4	2
25	103741	Speednut	1
26	55885	Pin - Shroud	1
27	-66259	Shroud Assy - Cylinder & spark arrester	1
28		Fuel System Components (See Figure 2)	1
29	-65625	Gasket - Fuel tank & insulator	1
30	53684A	Insulator	1

Item No.	Part Number	Description	Units Per Assy
31	102500	Screw - Pan hd 10-24 x 1/2	1
32	104816	Screw - 10-24 x 1-1/4 (SEMS)	3
33	101191	Nut - Hex 10-24	2
34	57733	Housing - Fan	1
35	55615	Guard - Flywheel	1
36	103729	Nut - Hex 3/8-24	2
37	100006	Washer - 3/8	2
38		Starter Assy (See Figure 4)	1
39		Clutch, Drum & Bearing Assy (See Figure 4)	1
40	53480	Spark Arrester & Screw Assy	1
41	104895	. Screw - Socket hd 10-24 x 5/8	3
42	53652	Gasket - Spark arrester	1
43	53651	Washer - Insulator	1
44	104133	Screw - 1/4-20 x 5/8 (SEMS)	3
	-67826	Guard Assy - Spark arrester	1
45	-103819	. Rivet - 3/16 x 5/16	2
46	-55113	. Angle	1
47	-55112	. Deflector	1
48	-67827	. Shield	1
49	55255	Jacket - Cylinder	1
50	103258	Screw - Hex hd 1/4-20 x 1-1/8	2
51	102127	Screw - Hex hd 1/4-20 x 3-1/4	2
52	100005	Washer - 1/4	4
53		Oiler Housing Assy (See Figure 5)	1
54	60251A	Cover - Crankcase bottom	1
55	-65578	Gasket - Crankcase bottom cover	1
56	60252	Gasket - Oiler Housing	1
57		Powerhead Assy (See Figure 6)	1
58	59445	Decal - Oiler	1

Part numbers which have changed since the previous printing of the illustrated parts list covering this model, are indicated by a dash (-) preceding the new part number. The dash precedes part numbers changed by a letter suffix as well as those changed to an entirely new number.

MODEL 795

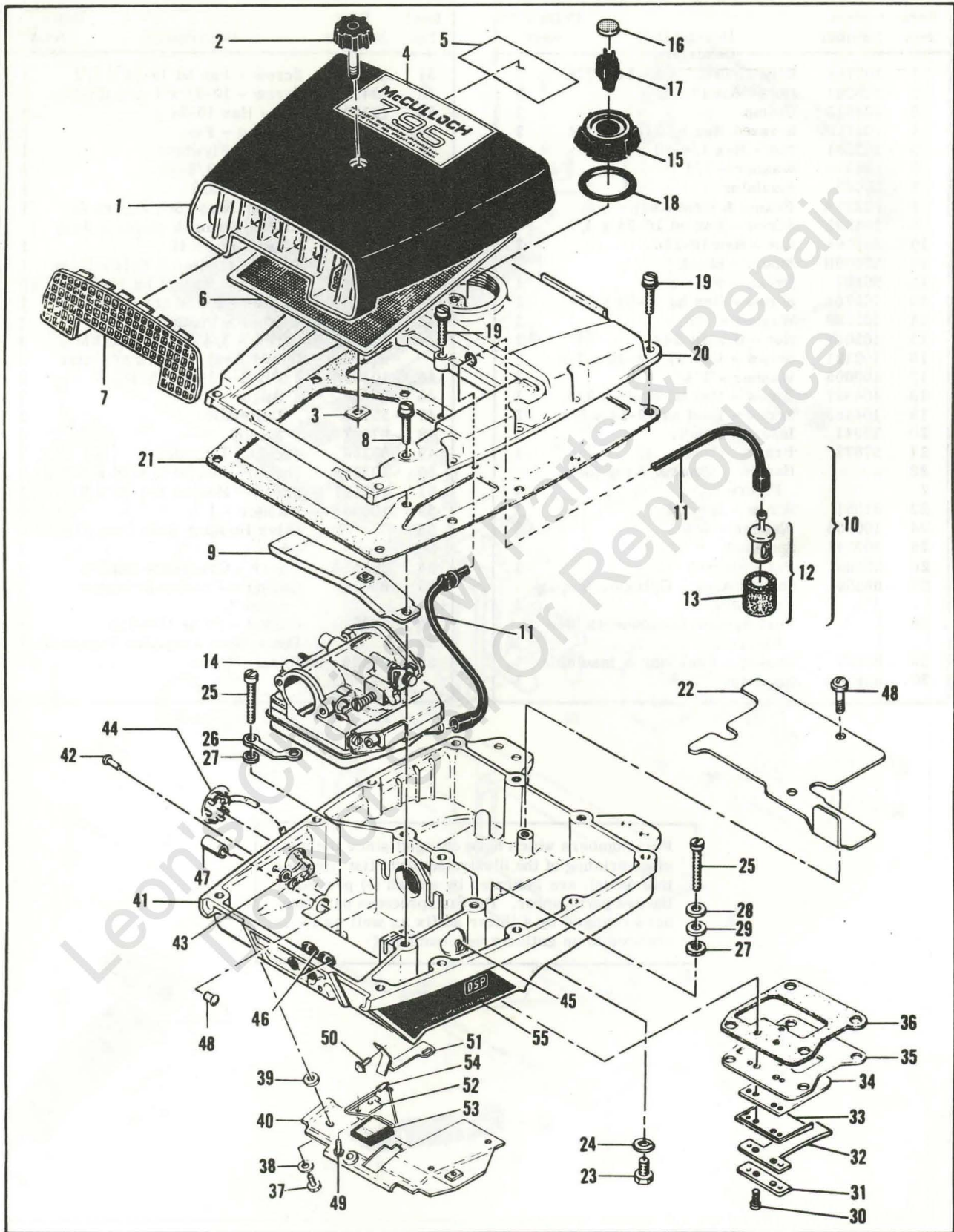


Figure 2. Fuel System Components

Figure 2. Fuel System Components

Item No.	Part Number	Description	Units Per Assy
1	-60427A	Cover Assy - Air cleaner	1
2	60243	. Knob - Air cleaner cover	1
3	103741	. Speednut	1
4	-66813	Nameplate	1
5	63814	Instruction Plate	1
6	55498	Screen - Air cleaner	1
7	55659	Grill - Air cleaner cover	1
8	104396	Screw - Pan hd 10-24 x 3/4	1
9	55634	Anchor Assy - Air cleaner	1
10	63831	Hose Assy - Fuel line	1
11	63669	. Hose - Fuel	1
12	53679B	. Pickup Assy - Fuel	1
13	61159	. . Filter - Fuel pickup	1
14		Carburetor & Fuel Collector Assys (See Figure 3)	1
15	55934B	Cap Assy - Fuel	1
16	55063	. Filter - Fuel cap	1
17	53766A	. Valve - Fuel cap	1
18	101348	"O" Ring - Fuel cap	1
19	104396	Screw - Pan hd 10-24 x 3/4	14
20	63667	Cover - Fuel tank	1
21	-65632	Gasket - Fuel tank	1
22	-63650	Liner - Fuel tank	1
23	102151	Screw - Hex hd 1/4-20 x 1/2	1
24	105043	Lockwasher	1
25	55948A	Screw - Fuel tank	4
26	58376	Lockplate	1
27	55636	Washer - Insulating	4
28	102189	Washer	2

Item No.	Part Number	Description	Units Per Assy
29	103744	Washer - Sealing	2
30	103740	Screw - Hex hd 8-32 x 7/8	2
31	51480	Lockplate	1
32	57658A	Clamp - Reed	1
33	-66274	Deflector - Fuel	1
34	48593	Valve - Reed	1
35	53685C	Plate - Reed	1
36	-65657	Gasket	1
37	102388	Screw - Hex hd 10-24 x 1/2	3
38	102189	Washer	3
39	55636	Washer - Insulating	2
40	63652	Shield Assy - Fuel tank	1
41	63873	Bottom Assy - Fuel tank	1
42	104504	. Rivet	1
43	101871	. Washer - Plain	1
44	51396A	. Cover Assy - Adjustment hole	1
45	104310	. Pin - Cotter	1
46	60237	. Grommet	2
47	103708	. Bushing	1
48	103819	. Rivet	1
49	110054	. Screw - Pan hd 6-32 x 3/8 (SEMS)	2
50	105249	. Screw - 8-32 x 3/8 (SEMS)	3
51	64582	Retainer - Lever	1
52	63619	Plate - Lever retaining	1
53	-63914A	Lever Assy - Compression release	1
54	63827	Spring - Lever	1
55	63870	Emblem - Fuel tank (DSP)	1

Leon's Chainsaw Parts
Do Not Sell

MODEL 795

For initial carburetor adjustments and the inlet lever setting, refer to Grid G-12-G-14

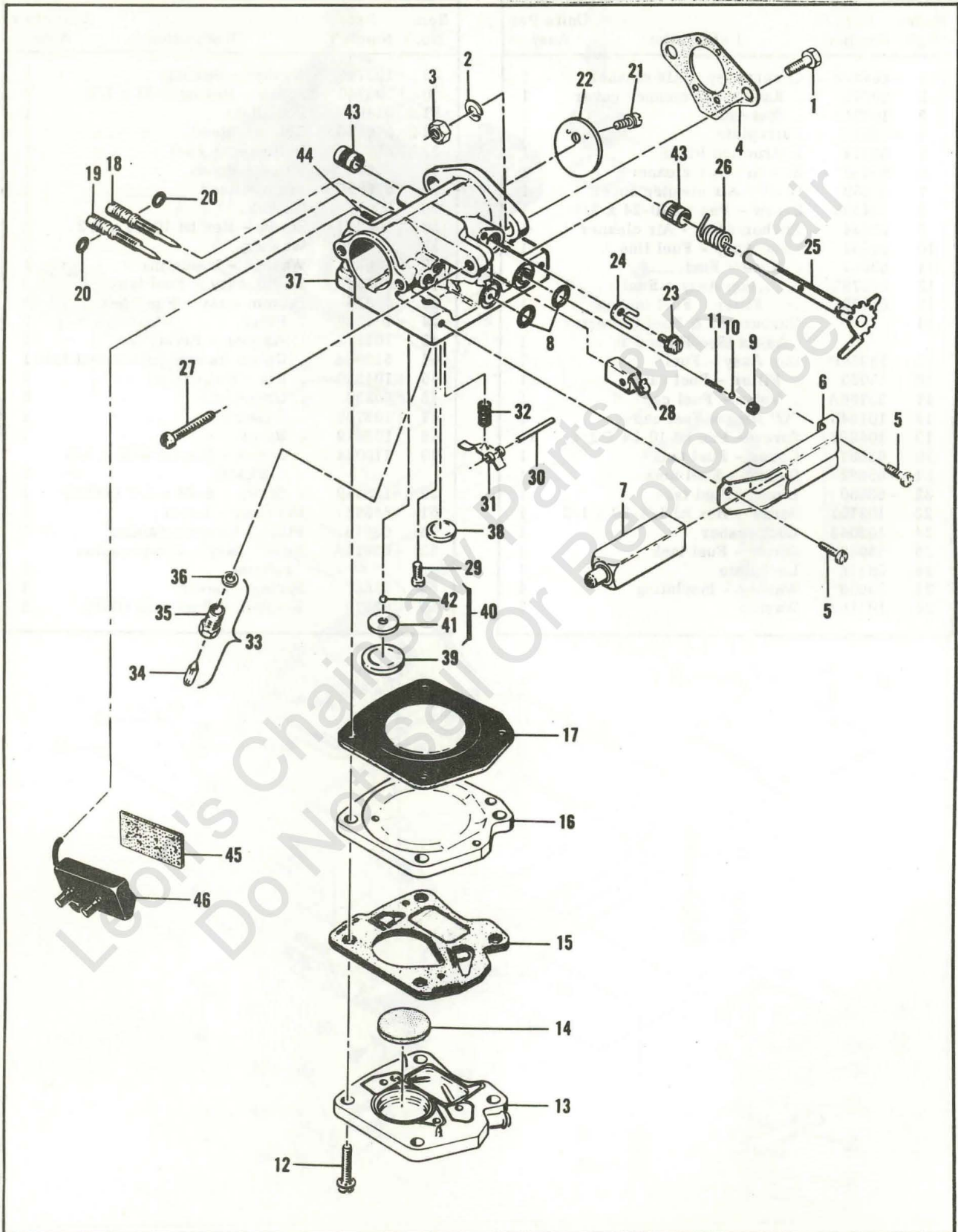


Figure 3. Carburetor and Fuel Collector

Figure 3. Carburetor and Fuel Collector Assemblies

Item No.	Part Number	Description	Units Per Assy
1	100882	Screw - Hex hd 1/4-20 x 3/4	2
2	101476	Lockwasher - 1/4	2
3	103242	Nut - Hex 1/4-20	2
4	-65586	Gasket - Carburetor	1
	-67265	Carburetor Assy - McCulloch	1
5	110054	. Screw - Pan hd 6-32 x 3/8	2
6	53440	. Bracket - Primer mounting	1
7	53449	. Primer Assy	1
8	101056	. "O" Ring	2
9	59480	. Seat - Primer valve	1
10	100302	. Ball - Steel 1/8	1
11	28754	. Spring - Primer	1
12	104520	. Screw - 10-24 x 7/8 (SEMS)	4
13	-48898	. Body Assy - Fuel pump	1
14	57277A	. . Filter - Fuel pump	1
15	-66442	. Diaphragm Assy - Fuel pump	1
16	48901	. Plate - Carburetor diaphragm	1
17	55067C	. Diaphragm - Carburetor	1
18	53948	. Needle - Idle adjustment	1
19	53311	. Needle - Main adjustment	1
20	104001	. "O" Ring	2
21	104814	. Screw - Pan hd 4-40 x 1/4 (SEMS)	1
22	61360	. Plate - Throttle	1

Item No.	Part Number	Description	Units Per Assy
23	110055	. Screw - 8-32 x 3/8 (SEMS)	1
24	55082	. Clip - Shaft	1
25	61854A	. Shaft Assy - Throttle	1
26	61858	. Spring - Idle governor	1
27	62910	. Screw - Idle adjustment	1
28	61108	. Guide - Throttle rod	1
29	104164	. Screw - Pan hd 4-40 x 1/4	1
30	104305	. Pin - Lever	1
31	55688	. Lever - Inlet control	1
32	57172	. Spring - Inlet control	1
33	60163A	. Valve Set - Needle & body	1
34	63038	. Needle - Inlet control	1
35	58969	. . Body - Inlet control	1
36	55689	. . Washer - Inlet control	1
37	-66420	. Body Assy - Carburetor	1
38	-110179	. . Plug - Expansion 1/2 in.	1
39	104407	. . Plug - Expansion 1 in.	1
	61155	. . Set - Ball & seat	1
40	61152	. . . Seat - Ball valve	1
41	61151	. . . Ball - Valve	1
42	55062A	. . Bushing - Body	2
43	47523	. . Tube - Collector inlet	1
44	58865	Absorber - Fuel	1
45	63651	Collector Assy - Fuel	1

Leon's Chainsaw Parts
Do Not Sell Or Repair Here

MODEL 795

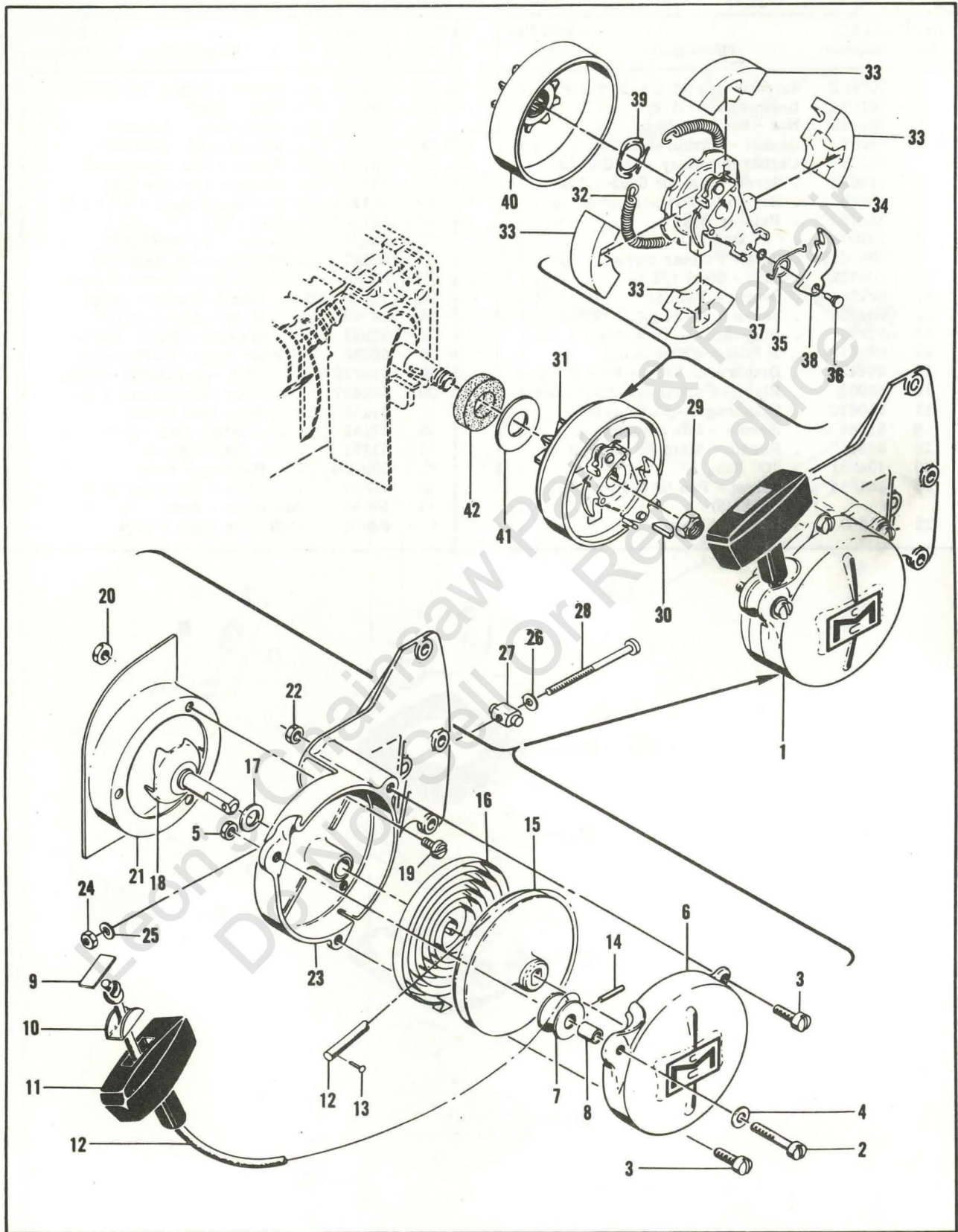


Figure 4. Starter and Clutch Assembly

Figure 4. Starter and Clutch Assembly

Item No.	Part Number	Description	Units Per Assy
1	63645	Starter Assy	1
2	101284	. Screw - Fil hd 10-24 x 1-1/8	1
3	103859	. Screw - Fil hd 10-24 x 3/4	2
4	102189	. Washer	1
5	101191	. Nut - Hex 10-24	2
6	55024B	. Cover - Starter	1
7	51138	. Pulley - Starter rope	1
8	103536	. Bearing - Pulley	1
9	57232	. Plate - Starter handle	1
10	57231	. Cup - Starter handle	1
11	57230	. Handle - Starter	1
12	28716	. Rope - Starter	1
13	101136	. Rivet	1
14	103047	. Pin - Roll	1
15	55871	. Drum - Starter	1
16	51665	. Spring - Starter rewind	1
17	104457	. Washer	1
18	51923	. Shaft Assy - Starter	1
19	104071	. Screw - Pan hd 8-32 x 5/16	3
20	100955	. Nut - Hex 8-32	3
21	63646	. Cover - Sawdust shield	1
22	-101191	. Nut - Hex 10-24	1

Item No.	Part Number	Description	Units Per Assy
23	57660A	. Starter Base Assy	1
24	100640	. Nut - Hex 1/4-28	1
25	102813	. Washer - Spring	1
26	100005	. Washer - 1/4	1
27	52207C	. Nut - Bar adjustment	1
28	104548	. Screw - 1/4-20 x 3-5/8	1
29	103746	Nut - Flexloc	1
30	103879	Key - Woodruff	1
31	51470E	Clutch Assy	1
32	51468A	. Spring - Shoe retaining	1
33	51464A	. Shoe - Clutch	4
34	52175B	. Rotor Assy - Clutch	1
35	51910B	. . Spring - Pawl	2
36	60730	. . Pin - Special	2
37	60731	. . Spacer - Pawl	2
38	60729A	. . Pawl - Clutch	2
39	103718	Spring - Thrust	1
40		Sprocket, Clutch & Drum Assy (See Figure 5 for pitch sizes)	1
41	51420	Washer - Inner sprocket	1
42	57785A	Seal - Felt sprocket	1

Leon's Chainsaw Parts & Repair
Do Not Sell Or Reprint

Figure 5. Chain Oiler Assemblies

Item No.	Part Number	Description	Units Per Assy
1	61331	Kit - Spike 4-tooth	1
2	100152	. Nut - Hex 1/4-20	3
3	100153	. Lockwasher	3
4	102088	. Screw - Flat hd 1/4-20 x 3/4	3
5	57129A	Cap - Oiler tank	1
6	101148	"O" Ring - Oiler tank cap	1
7	104062	Pin - Cotter	1
8	63060	Housing Assy - Oiler	1
9	51423B	. Bolt - Bar mounting	2
10	51439	. Plate - Lock	1
11	61473	. Gasket - Oil pump	2
12	-63644	. Spacer - Pump body	1
13	104869	. Plug - Pipe 1/16-27	1
14	51982A	. Check Valve Assy - Oiler	1
15	105677	. Plug - Expansion 3/8	1
16	51505	Weight Assy - Oil line hose	1
17	51506	. Screen - Oil intake	1
18	28007	Hose - Flexible	1
19	-63642	Piston Assy - Oiler	1
20	-63643	. Piston - Oiler	1
21	103198	. "O" Ring - Oiler piston	1
22	51946	. Spring - Oiler	1
23	51774B	Sprocket, Clutch Drum & Bearing Assy (7 tooth - .404 pitch)	1
24	51775B	. Drum & Sprocket Assy	1
25	103688	. Bearing - Needle	1
	51178B	Sprocket & Clutch Drum Assy - 7/16 in. pitch - 7 tooth (alternate)	1

Item No.	Part Number	Description	Units Per Assy
	61793B	Sprocket & Clutch Drum Assy - 1/2 in. pitch - 6 tooth (alternate)	1
26	110257	Screw - Hex hd 10-24 x 1-3/4 (SEMS)	1
27	104138	Screw - Hex hd 10-24 x 7/8 (SEMS)	1
28	110245	Screw - Fl hd 10-24 x 3/4	1
	-67917	Pump Assy - Pulse	1
29	62890	. Screw - Set 10-24 x 1-1/4	1
30	60976	. Locknut - 10-24	1
31	104001	. "O" Ring	1
32	60260A	. Piston Assy	1
33	60937	. Washer	1
34	60263	. Ring - Piston	1
35	-104001	. "O" Ring - Piston	1
36	60259	. Spring - Piston	1
37	-67918	. Sleeve - Piston	1
38	60254D	. Body Assy - Pulse pump	1
39	60397A	. . Screw - Fil hd	1
40	60398B	. . Washer	1
41	60396B	. . Spring - Ball check	1
42	102809	. . Ball - Steel .093 dia.	1
43	110157	. . Plug - Expansion 5/8	1
44	64935	Plate - Bar	2

Leon's Chainsaw Parts
Do Not Sell Or Reproduce

MODEL 795

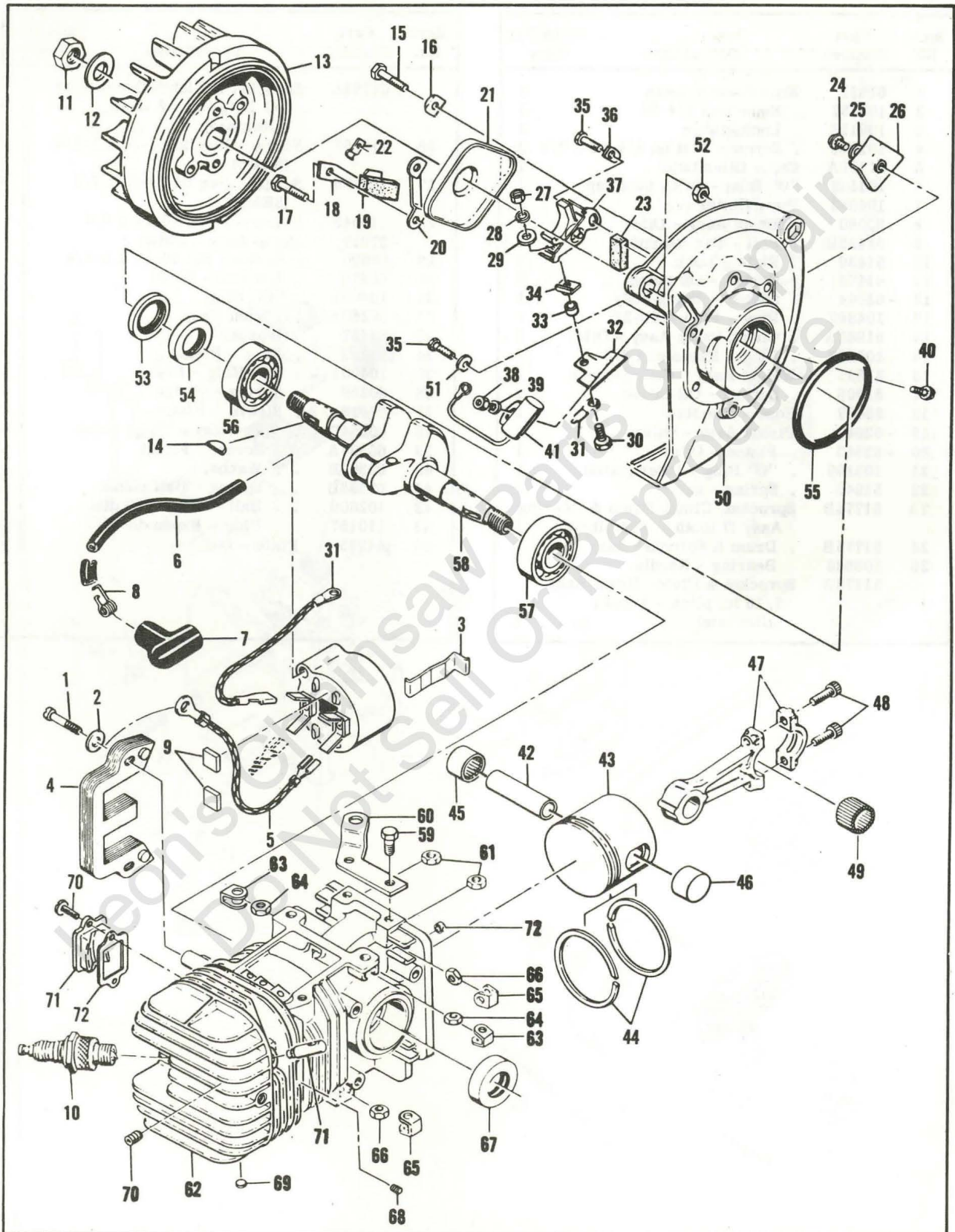


Figure 6. Powerhead Assembly

Figure 6. Powerhead Assembly

Item No.	Part Number	Description	Units Per Assy
1	104815	Screw - Fil hd 10-24 x 7/8	2
2	100352	Washer - #10	2
3	51253	Retainer - Coil	1
4	51251	Lamination Assy - Coil	1
5	63639	Wire Assy - Ground	1
	-67921	Coil & Terminal Assy	1
6	63640	. Wire Assy - Spark Plug	1
7	62926	. . Boot - Spark Plug	1
8	62932	. . Connector - Spark plug wire	1
9	-67863	. Spacer - Lamination	2
10	63097	Spark Plug - AC CS45T	1
11	101179	Nut - Hex 7/16	1
12	101270	Washer - Special	1
13	-65765	Flywheel Assy	1
14	103879	Key - Woodruff	1
15	102763	Screw - Hex hd 10-24 x 3/4	2
16	36388	Lockplate	1
17	102763	Screw - Hex hd 10-24 x 3/4	4
18	57815	Strap - Seal	1
19	50664	Seal - Breaker box drain	1
20	55977	Clip - Breaker box cover	2
21	55766B	Cover - Breaker box	1
22	104230	Speednut	1
23	54184	Wiper - Felt	1
24	110055	Screw - 8-32 x 3/8 (SEMS)	1
25	100080	Washer - #8	1
26	57829	Clamp - Ignition wire	1
27	104551	Nut - Hex 8-32	1
28	104553	Lockwasher	1
29	100080	Washer - #8	1
30	110338	Screw - Hex hd 8-32 x 9/16	1
31	63628	Wire Assy - Primary	1
32	55782A	Insulator - Primary wire assy	1
33	57769	Insulator - Ignition screw	1
34	57770A	Insulator - Breaker spring	1
35	104733	Screw - 8-32 x 1/2 (SEMS)	2
36	57767A	Lockplate	1

Item No.	Part Number	Description	Units Per Assy
37	-57765B	Breaker Assy	1
38	-100251	Nut - Hex 8-32	1
39	100057	Lockwasher - #8	1
40	104733	Screw - 8-32 x 1/2 (SEMS)	1
41	61650	Condenser	1
42	62866	Pin - Piston	1
43	62877	Piston Assy	1
44	58353	. Ring Set - Piston	1
45	62867	. Bearing - Needle	1
46	62868	. Bearing - Needle (closed end)	1
47	47903	Connecting Rod Assy	1
48	60210A	. Screw - Skt hd 10-32 x 5/8	2
49	102742	. Roller - Needle	24
50	57827A	Crankcase Cover Assy	1
51	55778E	. Washer - Breaker retainer	1
52	101326	. Nut - Hex 10-24	2
53	57897	. Seal - Oil	1
54	57898	. Seal - Oil	1
55	104523	"O" Ring	1
56	100824	Bearing - Ball	1
57	104490	Bearing - Ball	1
58	58128	Crankshaft	1
59	102762	Screw - Hex hd 10-24 x 1/2	2
60	53271	Bracket - Fuel tank mounting	1
61	101326	Nut - Hex 10-24	2
62	-67421	Cylinder Assy - Crankcase	1
63	28053	. Retainer - Nut	2
64	101326	. Nut - Hex 10-24	2
65	18556A	. Retainer - Nut	6
66	105394	. Nut - Hex 1/4-20	6
67	57732	. Seal - Oil	1
68	110034	. Insert - Taplok	3
69	110340	. Plug - Expansion 1/2	3
70	103614	. Screw - Skt hd 1/4-20 x 3/8	1
71	63615	. Valve - Compression release	1
72	57736	Seal - Pushrod	1

Leon's Do Not Sell

Figure 7. Handle and Control Assembly

Item No.	Part Number	Description	Units Per Assy
1	55670	Grommet	2
	- 64860	Handle & Control Assy	1
2	55624A	. Grip - Handle	1
3	101326	. Nut - Hex 10-24	1
4	104484	. Screw - Set 8-32 x 1/4	1
5	55968A	. Button - Primer control	1
6	55969A	. Button - Oiler control	1
7	51344A	. Shaft - Primer & oiler buttons	1
8	104501	. Retainer - Trigger pin	1
9	55674	. Spring - Trigger return	1
10	63663	. Trigger	1
11	50507	. Pin - Trigger	1

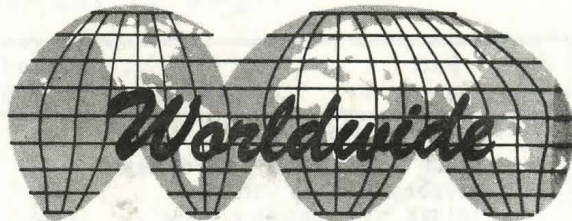
Item No.	Part Number	Description	Units Per Assy
12	103672	. Screw - Fil hd 8-32 x 1/2 (SEMS)	1
13	63662	. Wire Assy - Stop switch	1
14	51279	. Contact - Switch	1
15	51555	. Insulator - Switch	1
16	51554A	. Detent - Switch	2
17	57718	. Button - Switch	1
18	55986	. Handle	1
19	53583A	Pushrod - Primer	1
20	51857B	Pushrod - Oiler	1
21	63665	Pushrod - Throttle	1

Accessories

Part Number	Description
68120	Owner's Manual of Operating Instructions
51445A	Wrench & Screwdriver Combination
101522	Wrench - Spark arrester
64797	Wrench - Spark plug
65712	Timing Guide
63173	Spark Arrester (half quiet)
63174	Spark Arrester (full quiet)
63432	Spark Plug (AC CS42T)
62878	Piston Assy - 2.228 in. dia.
58394	. Ring Set - 2.227 in. dia.

Part Number	Description
62879	Piston Assy - 2.238 in. dia.
58354	. Ring Set - 2.237 in. dia.
62880	Piston Assy - 2.248 in. dia.
58395	. Ring Set - 2.247 in. dia.
62883	Piston Assy - 2.218 in. dia. (wide rings)
62422	. Ring Set - 2.218 in. dia. (wide)
62884	Piston Assy - 2.248 in. dia. (wide rings)
62423	. Ring Set - 2.248 in. dia. (wide)

M McCULLOCH



● MANUFACTURING ●

SALES ●

SERVICE ●

McCULLOCH CORPORATION

6101 WEST CENTURY BLVD., LOS ANGELES, CALIFORNIA 90045

INTERNATIONAL DIVISIONS:

LOS ANGELES, CALIF., P. O. BOX 45466

HONG KONG, B. C. C.: G. P. O. BOX 879

McCULLOCH OF CANADA LTD.

77 BELFIELD ROAD, REXDALE, ONTARIO, CANADA

McCULLOCH OF EUROPE, N. V.

ANTOON SPINOYSTRAAT 5, MECHELEN, BELGIUM

McCULLOCH OF AUSTRALIA PTY., LTD.

P. O. BOX 165, SOUTH GRANVILLE, N. S. W., AUSTRALIA

Leon's Clutch Parts Repair
Do Not Sell or Reproduce