

Chain Saw

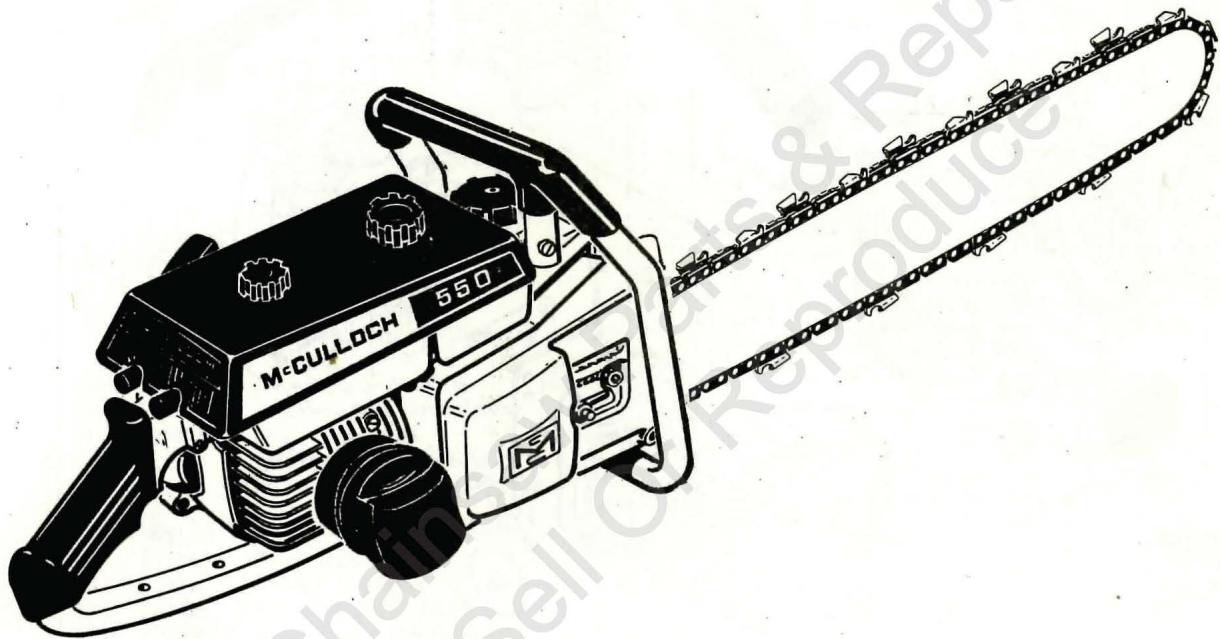
MODEL 550

MODEL NUMBER 600110

SERIAL NUMBERS PREFIXED 12- & A11-

ILLUSTRATED PARTS LIST

AUGUST 1969



The policy of McCulloch Corporation is one of continual improvement in design, manufacturing and engineering advancement wherever possible to assure still finer two-cycle power tools. Hence, specifications, equipment, colors, design and manufacturer's suggested list prices are subject to change without notice and McCulloch Corporation reserves the right to make such changes without prior notification or obligation to backfit or supply backfit components for units previously shipped from the factory.

	Page
Figure 1. Engine Exploded View - General	2
Figure 2. Starter and Crankcase Cover Assemblies . . .	4
Figure 3. Oiler Tank and Fuel Tank Assemblies	6
Figure 4. Cover and Airbox Assemblies	8
Figure 5. Carburetor Assembly	10
Figure 6. Powerhead Assembly	12
Figure 7. Clutch Guard - Bar and Chain Assembly . . .	1



McCULLOCH

Copyright 1969 U.S.A.
McCulloch Corporation

83419

MODEL 550

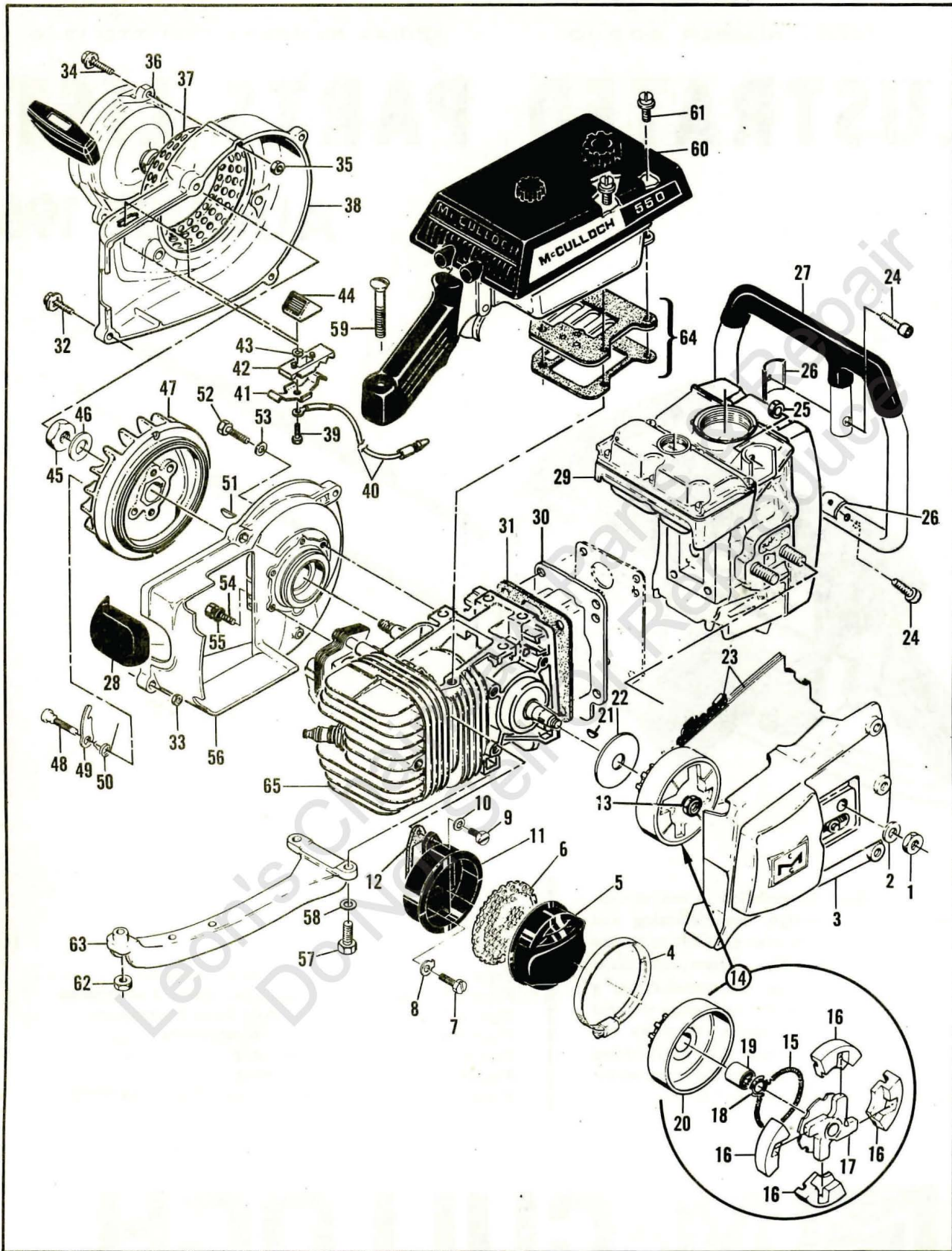


Figure 1. Engine Exploded View - General

FIGURE 1. ENGINE EXPLODED VIEW—GENERAL.

Item No.	Part Number	Description	Units Per Assy
1	-110625	Nut - Hex 3/8-24	2
2	100006	Washer - 3/8	2
3		Guard Assy - Clutch (See Figure 7)	
	68240	Kit - Spark arrester	1
4	-83368	. Clamp Assy	1
5	68238	. Top Assy	1
6	-69325	. Baffle	1
7	102761	. Screw - Hex hd 10-24 x 7/8	1
8	69890	. Lockplate	1
9	102388	. Screw - Hex hd 10-24 x 5/8	2
10	103100	. Lockwasher - #10	2
11	68241	. Bottom Assy - Spark arrester	1
12	53652	Gasket - Spark arrester	1
13	103746	Nut - Flexloc	1
14		Clutch, Sprocket, Drum & Bearing Assy	1
	60315	Clutch Assy	1
15	51468A	. Spring - Clutch	1
16	51464A	. Shoe - Clutch	4
17	60316	. Rotor Assy - Clutch	1
18	103718	Spring - Thrust	1
	51774B	Sprocket, Drum & Bearing Assy	1
19	103688	. Bearing - Needle	1
20	51775B	. Sprocket & Drum Assy	1
21	103879	Key - Woodruff	1
22	51420	Washer - Sprocket Assy	1
23		Bar & Chain Assy (See Figure 7)	
24	-105187	Screw - Skt hd 1/4-20 x 1-1/8	3
25	101143	Nut - Hex 1/4-20	3
26	-83233	Spacer - Frame	3
27	-83429	Frame & Grip Assy	1
28	57565	Cover Assy - Spark plug	1
29		Oiler Tank & Fuel Tank Assy (See Figure 3)	
30	60251A	Cover - Crankcase bottom	1
31	65654	Gasket - Bottom	1
32	104815	Screw - Hex hd 10-24 x 7/8 (SEMS)	4
33	101326	Nut - Hex 10-24	2
34	104815	Screw - Hex hd 10-24 x 7/8 (SEMS)	3

Item No.	Part Number	Description	Units Per Assy
35	101191	Nut - Hex 10-24	3
36		Starter Assy (See Figure 2)	
37	50581A	Guard - Sawdust	1
38	53488	Fan Housing Assy	1
39	103672	. Screw - Hex hd 8-32 x 1/2	1
40	53490	. Wire Assy - Stop switch	1
41	59592	. Contact - Switch	1
42	59591	. Base - Switch	1
43	100057	. Lockwasher - #8	1
44	57718	. Button - Switch	1
45	101179	Nut - Hex 7/16	1
46	101270	Washer - Special	1
47	68282	Flywheel & Pawl Assy	1
48	36144B	. Pin - Starter pawl	2
49	24093	. Pawl - Starter	2
50	-66351	. Spring - Pawl	2
51	103879	Key - Woodruff	1
52	102289	Screw - Hex hd 10-24 x 3/4	4
53	102189	Washer - #10	3
54	55494	Screw Assy Sealing #10	2
55	55492	. Washer - Sealing #10	2
56		Crankcase Cover Assy (See Figure 2)	
57	100882	Screw - Hex hd 1/4-20 x 3/4	2
58	100004	Washer - 1/4	2
59	104435	Screw - Oval hd 10-24 x 1-3/4	1
60		Cover & Airbox Assy (See Figure 4)	
61	110127	Screw - Hex hd 10-24 x 7/8 (SEMS)	4
62	101191	Nut - 10-24	1
63	65332	Brace - Handle	1
64		Reed Plate Assy & Insulator (See Figure 4)	
65		Powerhead Assy (See Figure 6)	

Part numbers which have changed since the previous printing of the illustrated parts list covering this model, are indicated by a dash (-) preceding the new part number.

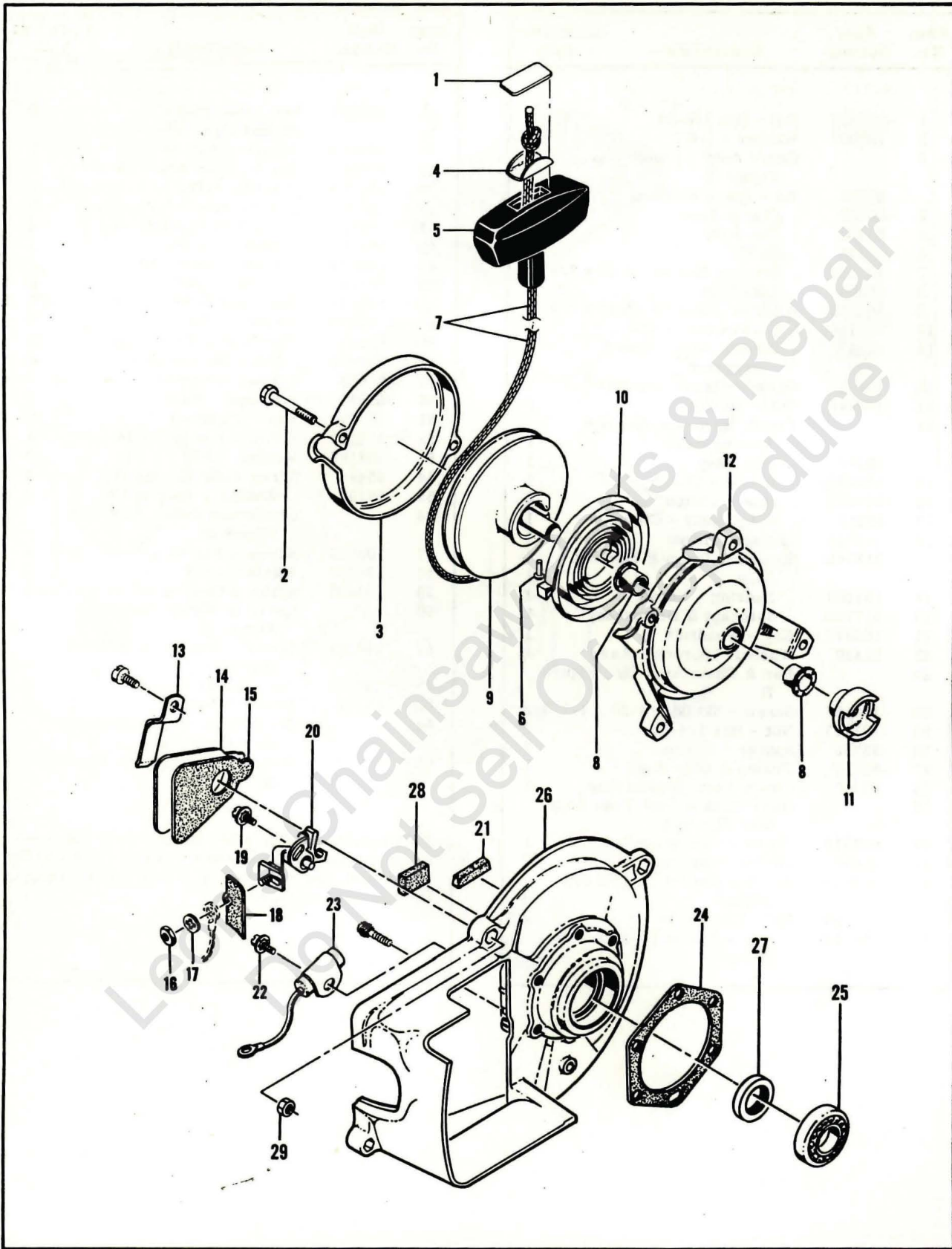


Figure 2. Starter and Crankcase Assemblies

FIGURE 2. STARTER AND CRANKCASE COVER ASSEMBLIES.

Item No.	Part Number	Description	Units Per Assy
	60130	Starter Assy	1
1	57232	. Plate - Starter handle	1
2	104396	. Screw - Pan hd 10-24 x 3/4	2
3	60647	. Cover - Starter	1
4	57231	. Cup - Starter handle	1
5	57230	. Handle - Starter	1
6	101136	. Rivet	1
7	28716	. Rope - Starter	1
8	57535	. Bushing - Starter base	2
9	57792	. Drum - Starter	1
10	51665	. Spring - Rewind	1
11	57790	. Ratchet - Starter	1
12	60646	. Base - Starter	1
13	50671	Retainer - Breaker box cover	1
14	50588A	Cover - Breaker box	1

Item No.	Part Number	Description	Units Per Assy
15	65584	Gasket - Breaker box	1
16	100251	Nut - Hex 8-32	1
17	100057	Lockwasher - #8	1
18	50381A	Insulator - Breaker terminal	1
19	103672	Screw - 8-32 x 1/2 (SEMS)	1
20	50076A	Breaker Assy	1
21	50664	Felt - Breaker box	1
22	103672	Screw - 8-32 x 1/2 (SEMS)	1
23	50074	Condenser	1
24	51240	Gasket - Crankcase	1
25	100824	Bearing - Ball	1
26	57126A	Crankcase Cover Assy	1
27	50663	. Seal - Oil	1
28	54184	. Wiper - Felt	1
29	101326	. Nut - Hex 10-24	2

Leon's Chainsaw Parts & Reproduction
Do Not Sell Or Reproduce

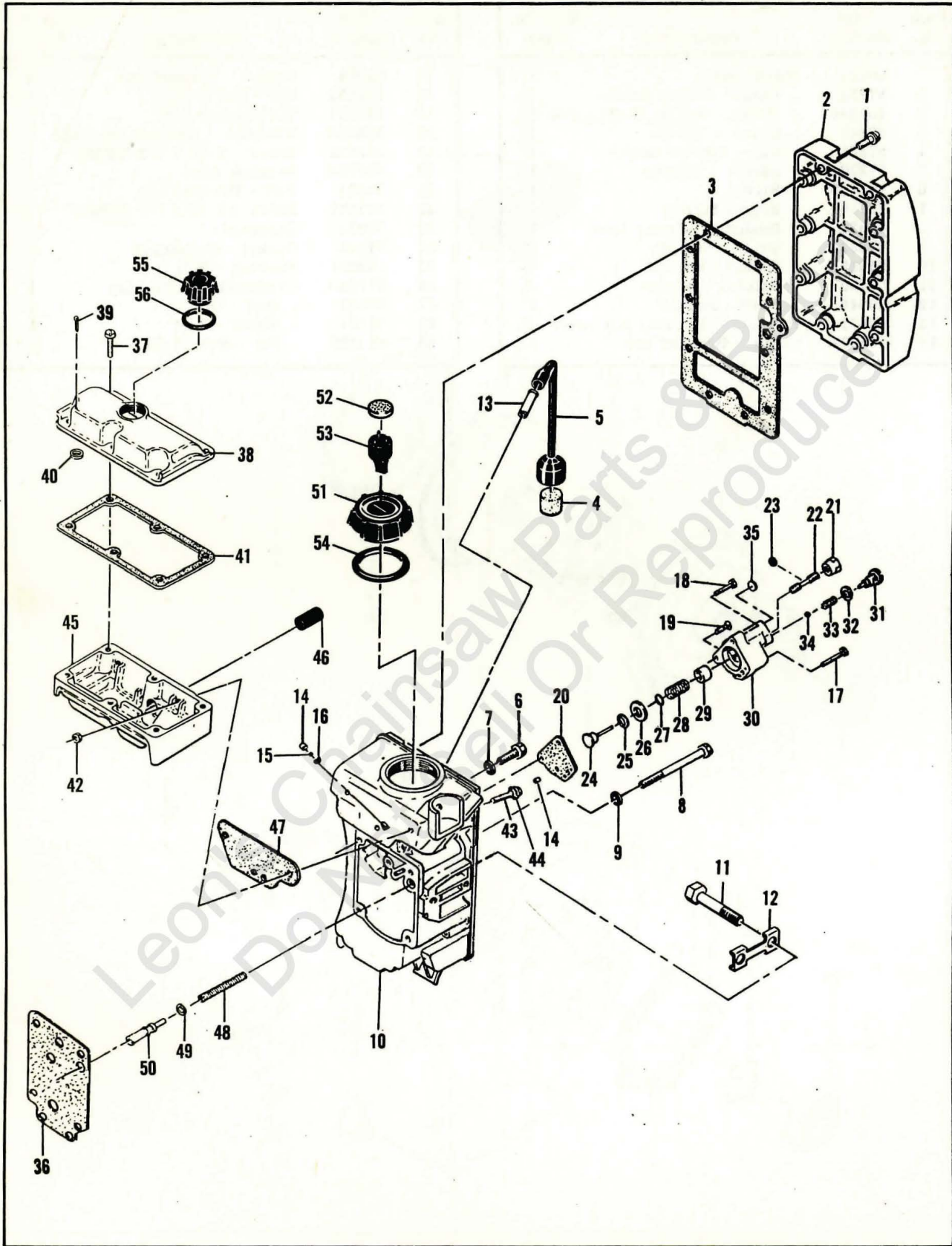


Figure 3. Oiler Tank and Fuel Tank Assemblies

FIGURE 3. OILER TANK AND FUEL TANK ASSEMBLIES

Item No.	Part Number	Description	Units Per Assy	Item No.	Part Number	Description	Units Per Assy
1	104396	Screw - Pan hd 10-24 x 3/4	10	28	60259	. Spring - Piston	1
2	68988	Cover - Fuel tank	1	29	67918	. Sleeve - Piston	1
3	65580	Gasket - Fuel tank cover	1	30	-83132	. Body Assy - Pulse pump	1
4	50124A	Filter - Fuel	1	31	60397A	. . Screw - Fil hd special	1
5	50082	Hose - Flex	1	32	60398B	. . Washer	1
6	57840	Screw Assy - Sealing	3	33	60396B	. . Spring - Ball check	1
7	50261	. Washer - Sealing 1/4	1	34	102809	. . Ball - Steel 0.093 in. dia.	1
8	50523	Screw - Sealing	1	35	110157	. . Plug - Expansion 5/8 in.	1
9	50261	Washer - Sealing 1/4	1	36	65669	Gasket - Fuel tank	1
10	62154A	Fuel Tank Assy	1	37	104395	Screw - Pan hd 10-24 x 5/8	6
11	61437	. Bolt - Bar mounting	2	38	57114A	Cover - Oil tank	1
12	51439	. Lockplate	1	39	100010	Pin - Cotter	1
13	28042	. Tube - Fuel hose	1	40	69352	Washer - Felt	1
14	62216	. Seat - Ball	2	41	57152	Gasket - Oil tank cover	1
15	100071	. Ball	1	42	101326	Nut - Hex 10-24	3
16	110327	. Ring - Retaining	1	43	55494	Screw Assy - Sealing	3
17	110257	Screw - Hex hd 10-24 x 1-3/4 (SEMS)	1	44	55492	. Washer - Sealing	3
18	-110127	Screw - Hex hd 10-24 x 7/8 (SEMS)	1	45	66618	Tank - Oiler	1
19	110245	Screw - Flat hd 10-24 x 3/4	1	46	57279	Screen - Oiler	1
20	65673	Gasket - Pulse pump	1	47	57147	Gasket - Oiler tank	1
	-83135	Pulse Pump Assy	1	48	68705	Spring - Oiler piston	1
21	60976	. Locknut - 10-24	1	49	101056	"O" Ring	1
22	-67929	. Screw - Set 10-24 x 1-1/4	1	50	-83405	Piston - Oiler	1
23	104001	. "O" Ring	1	51	55934B	Fuel Cap Assy	1
24	60260A	. Piston Assy - Pulse pump	1	52	55063	. Filter - Fuel cap	1
25	60937	. Washer - Teflon	1	53	53766A	. Valve - Fuel cap	1
26	60263	. Ring - Pulse pump	1	54	101348	"O" Ring	1
27	104001	. "O" Ring	1	55	57129A	Cap - Oil filler	1
				56	101148	"O" Ring	1

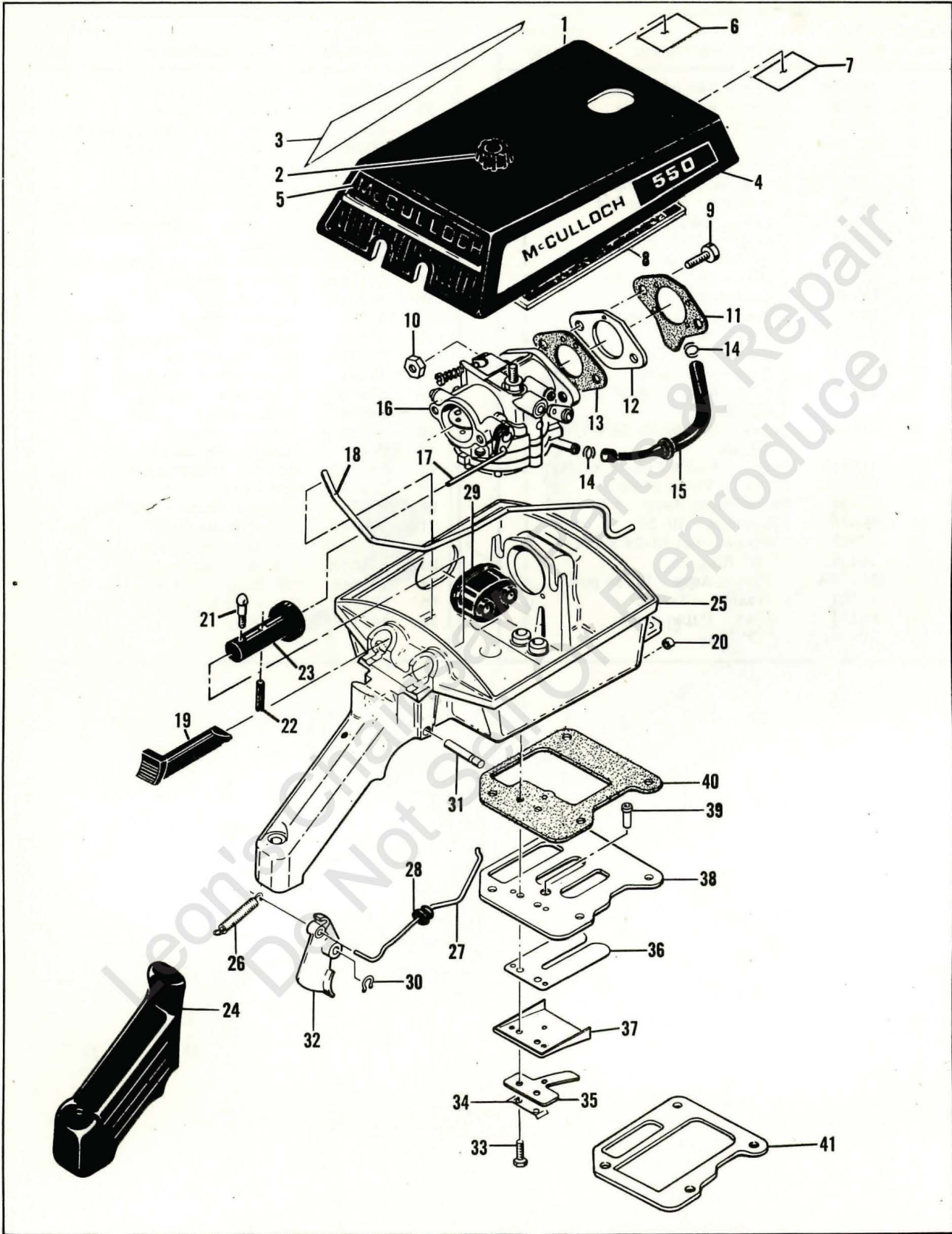


Figure 4. Cover and Airbox Assemblies

FIGURE 4. COVER AND AIRBOX ASSEMBLIES.

Item No.	Part Number	Description	Units Per Assy
1	61466	Cover Assy - Air cleaner	1
2	61458A	. Knob - Cover	1
3	63860	Nameplate - L.H.	1
4	63861	Nameplate - R.H.	1
5	66799	Trim - Air cleaner cover	1
6	63863	Label - Starting instructions	1
7	63862	Label - Fuel mix	1
8	67931	Screen - Air cleaner	1
9	53539	Screw - Special	2
10	103242	Nut - Hex 10-24	2
11	65630	Gasket - Carburetor adapter	1
12	50686A	Adapter - Carburetor	1
13	65583	Gasket - Carburetor	1
14	50742	Clamp - Hose	2
15	-67094	Hose - Fuel	1
16		Carburetor Assy (See Figure 5)	1
17	57134	Pushrod - Choke	1
18	-83383	Pushrod - Oiler	1
19	-83397	Button - Oiler	1
20	57736	Seal - Oiler pushrod	1
21	61822	Screw - Choke button	1

Item No.	Part Number	Description	Units Per Assy
22	101556	Pin - Roll	1
23	50777B	Button - Choke	1
24	57834	Grip - Handle	1
25	-83421	Airbox Assy	1
26	36499	. Spring - Throttle	1
27	50684	. Rod - Throttle	1
28	68258	. Grommet - Throttle rod	1
29	-83404	. Grommet - Carburetor controls	1
30	104501	. Retainer - Trigger pin	1
31	50507	. Pin-Trigger	1
32	50091B	. Trigger	1
33	103740	. Screw - Hex hd 8-32 x 5/8	2
34	51480	. Plate - Lock	1
35	57658A	. Clamp - Reed	1
36	48593	. Valve - Reed	1
37	66274	. Deflector - Fuel	1
38	53685C	. Plate - Reed	1
39	63067	. Tube - Reed plate	1
40	65653	. Gasket - Airbox	1
41	62834	. Insulator - Reed plate	1

Leon's Chainsaw Parts & Repro
Do Not Sell Or Repro

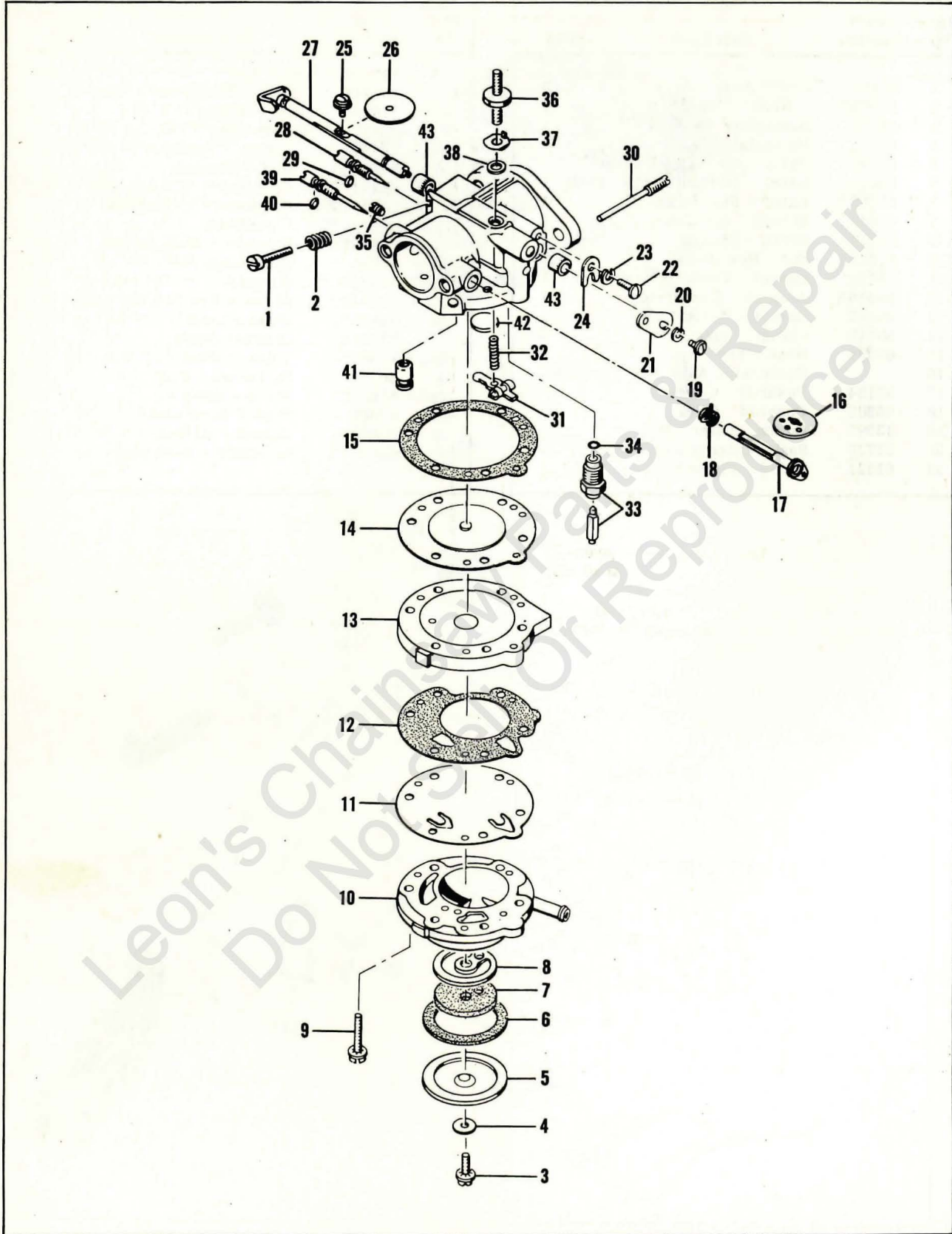


Figure 5. Carburetor

FIGURE 5. CARBURETOR

Item No.	Part Number	Description	Units Per Assy
	66346	Carburetor Assy	1
1	*50799	. Screw - Idle speed regulating	1
2	*51705	. Spring - Idle speed regulating screw	1
3	*50797	. Screw - Fuel filter cover	1
4	50798	. Gasket - Fuel filter cover	1
5	50796	. Cover - Fuel filter	1
6	51704	. Gasket - Fuel filter cover	1
7	*53717	. Filter Element - Fuel	1
8	53565	. Gasket - Fuel filter	1
9	51597	. Screw - Fuel pump body	6
10	50670	. Body - Fuel pump	1
11	*51595	. Diaphragm - Fuel pump	1
12	65592	. Gasket - Fuel pump	1
13	51592	. Cover - Diaphragm	1
14	*66167	. Diaphragm Assy	1
15	65591	. Gasket - Diaphragm	1
16	53813	. Shutter - Choke	1
17	53814	. Shaft and Lever - Choke	1
18	*51586	. Spring - Choke shaft return	1
19	*51719	. Screw - Throttle governor lever	1
20	*100261	. Lockwasher	1
21	51718	. Lever - Throttle governor	1
22	*51717	. Screw - Throttle shaft clip	1
23	*100252	. Lockwasher	1
24	51716	. Clip - Throttle shaft	1

Item No.	Part Number	Description	Units Per Assy
25	*51721	. Screw - Throttle shutter	1
26	51720	. Shutter - Throttle	1
27	50803A	. Throttle Shaft and Lever	1
28	*51702	. Needle Assy - Idle adjustment	1
29	104001	. . "O" Ring	1
30	*51710	. Screw - Inlet control lever pinion	1
31	*51709	. Lever - Inlet control	1
32	*66404	. Spring - Inlet Tension	1
33	*51707A	. Seat and Needle Assy	1
34	51708	. Gasket - Inlet seat	1
35	51589	. Drain Screw - Diaphragm chamber	1
36	50785	. Stud - Air cleaner attachment	1
37	63026	. Tab - Locking	1
38	63945	. Gasket - Stud	1
	66230	. Body and Needle Assy - Carburetor	1
39	*66405	. . Needle Assy - Main adjustment	1
40	104001	. . . "O" Ring	1
41	65611	. . Check valve	1
42	*51583	. . Plug - Welch	1
43	51715	. . Bushing - Shaft	2
	*50806	Gasket and Packing Set	1
	66422	Repair Parts Kit	1

* Indicates part in Repair Parts Kit #66422

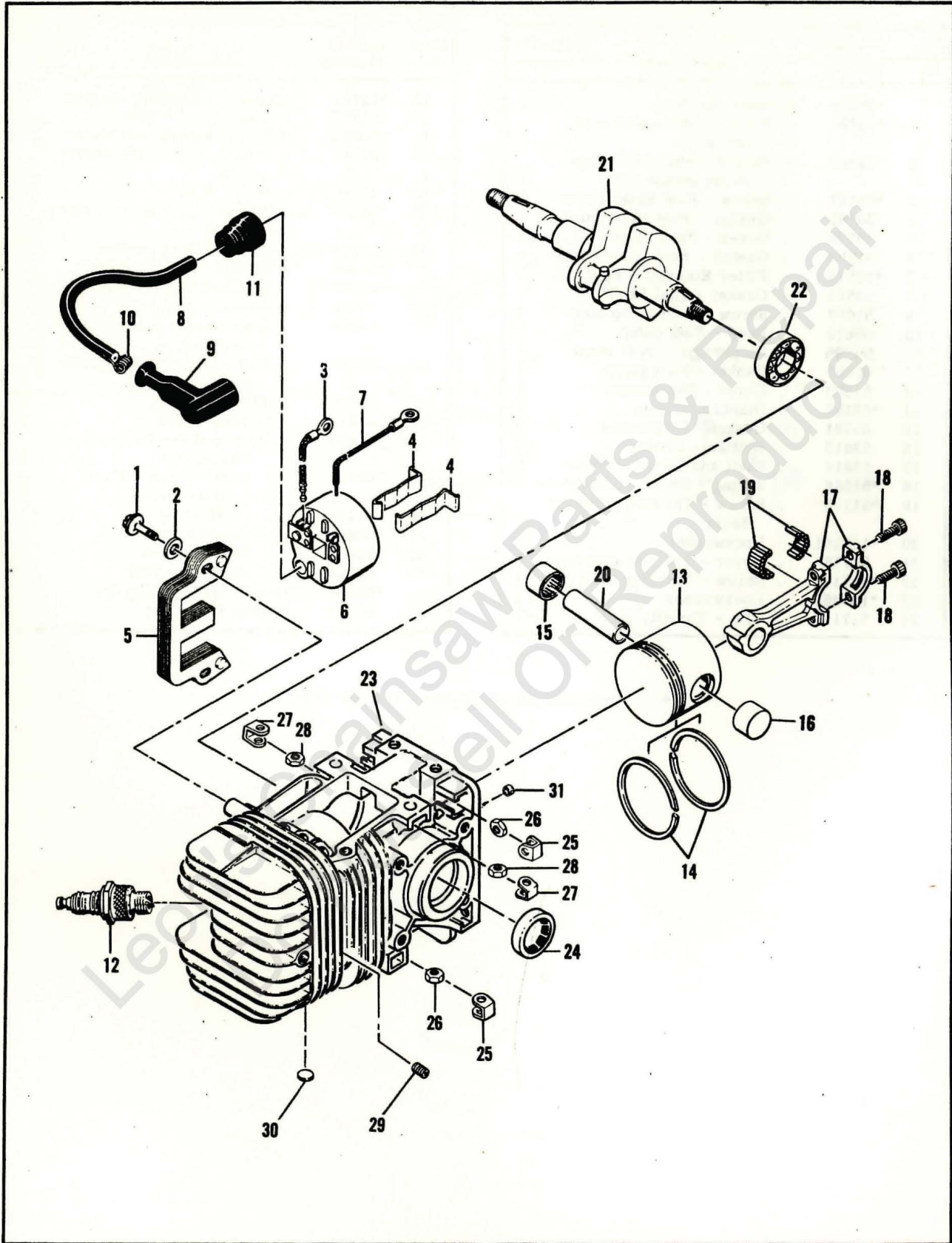


Figure 6. Powerhead Assembly

FIGURE 6. POWERHEAD ASSEMBLY.

Item No.	Part Number	Description	Units Per Assy
1	104815	Screw - Fil hd 10-24 x 7/8	2
2	100352	Washer - #10	2
3	57225	Wire Assy - Primary	1
4	51253	Retainer - Coil	2
5	51251	Lamination Assy	1
6	57643A	Coil and Terminal Kit	1
7	101883	. Wire Assy - Ground	1
8	50120	. Wire - Spark plug	1
9	55060	..Boot - Spark plug	1
10	55061	..Connector	1
11	55617	Nipple - Spark plug wire	1
12		Spark Plug 14MM	1
13	58878A	Piston Assy	1
14	58881	. Ring Set - Piston	1
15	101206	. Bearing	1
16	104378	. Bearing (closed end)	1

Item No.	Part Number	Description	Units Per Assy
17	47903	Connecting Rod Assy	1
18	60210A	. Screw - Socket hd 10-32 x 5/8	2
19	-69891	. Roller - Needle	24
20	62831	Pin - Piston	1
21	63440	Crankshaft	1
22	100824	Bearing - Ball	1
23	68259	Crankcase Assy	1
24	104432	. Seal - Oil	1
25	18556A	. Retainer - Nut	6
26	105394	. Nut - Hex 1/4-20	6
27	28053	. Retainer - Nut	2
28	101326	. Nut - Hex 10-24	2
29	110034	. Insert - Taplok	3
30	110179	. Plug - Expansion	3
31	57736	Seal - Pushrod	1

Leon's Chainsaw Parts & Reproduction
Do Not Sell Or Reproduce

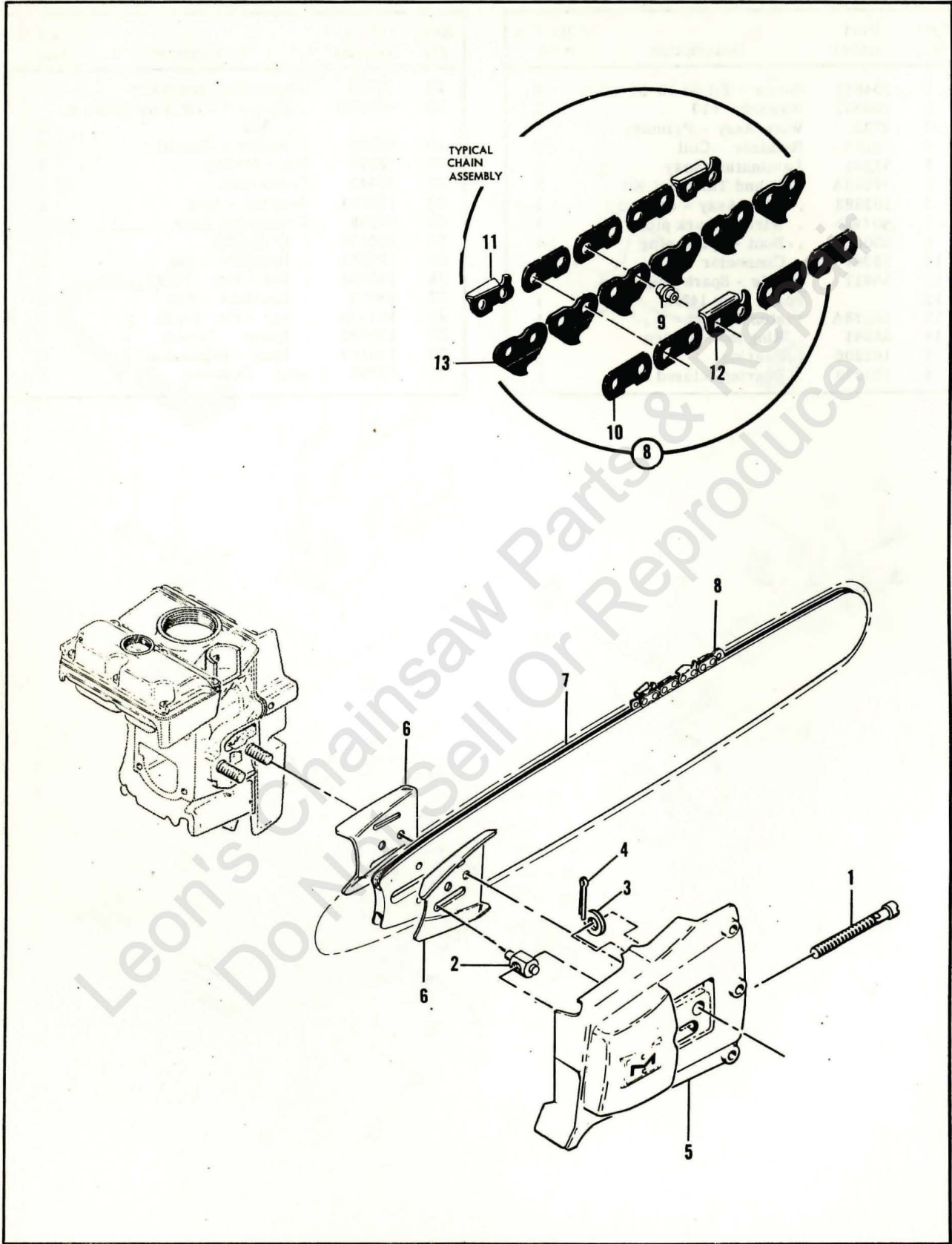


Figure 7. Clutch Guard - Bar and Chain Assemblies

FIGURE 7. CLUTCH GUARD—BAR AND CHAIN ASSEMBLIES.

Item No.	Part Number	Description	Units Per Assy
	60133A	Guard Assy - Clutch	1
1	62057	. Screw - Fil hd 1/4-28 x 3-1/2	1
2	52207C	. Nut - Bar adjusting	1
3	100004	. Washer	1
4	105686	. Key - Cotter	1
5	60134	. Guard - Clutch	1
6	64935	Bar Plate	2

Item No.	Part Number	Description	Units Per Assy
7		Bar	1
8		Typical Chain Assy	1
9		. Rivet	1
10		. Side Link	1
11		. Cutter - Left side	1
12		. Cutter - Right side	1
13		. Center Link	1

TOOLS AND ACCESSORIES.

Part Number	Description
61040	Wrench & Screwdriver Combination
36248	Wrench - Spark plug
69550	Owner's Manual of Operating Instructions
61330	Kit - Spike 5-tooth
61331	Kit - Spike 4-tooth
64788	Kit - Spike 5-tooth (inboard)
69332	Kit - Spark arrester baffle
65712	Timing Guide

Part Number	Description
58886A	Piston Assy 0.020 in. oversize
58889	. Ring Set 0.020 in oversize (0.062 in. wide)
101206	. Bearing
104378	. Bearing (closed end)
58890A	Piston Assy 0.030 in. oversize
58893	. Ring Set 0.030 in. oversize (0.062 in. wide)
101206	. Bearing
104378	. Bearing (closed end)



McCULLOCH



● MANUFACTURING ● SALES ● SERVICE ●

McCULLOCH CORPORATION

6101 WEST CENTURY BLVD., LOS ANGELES, CALIFORNIA 90045

INTERNATIONAL DIVISIONS:

LOS ANGELES, CALIF., P. O. BOX 45466

HONG KONG, B. C. C.: G. P. O. BOX 879

McCULLOCH OF CANADA LTD.

6338 VISCOUNT ROAD, MALTON, ONTARIO, CANADA

McCULLOCH OF EUROPE, N. V.

ANTOON SPINOYSTRAAT 5, MECHELEN, BELGIUM

McCULLOCH OF AUSTRALIA PTY., LTD.

P.O. BOX 165, GRANVILLE, N.S.W., 2142, AUSTRALIA

Leon's Chain Saw Parts & Repair
Do Not Sell or Reproduce