

ILLUSTRATED PARTS LIST

MINI-MAC CHAIN SAW

The policy of McCulloch Corporation is one of continual improvement in design, manufacturing and engineering advancement wherever possible to assure still finer two-cycle power tools. Hence, specifications, equipment, colors, design and manufacturer's suggested list prices are subject to change without notice and McCulloch Corporation reserves the right to make such changes without prior notification or obligation to backfit or supply backfit components for units previously shipped from the factory.

MODELS:

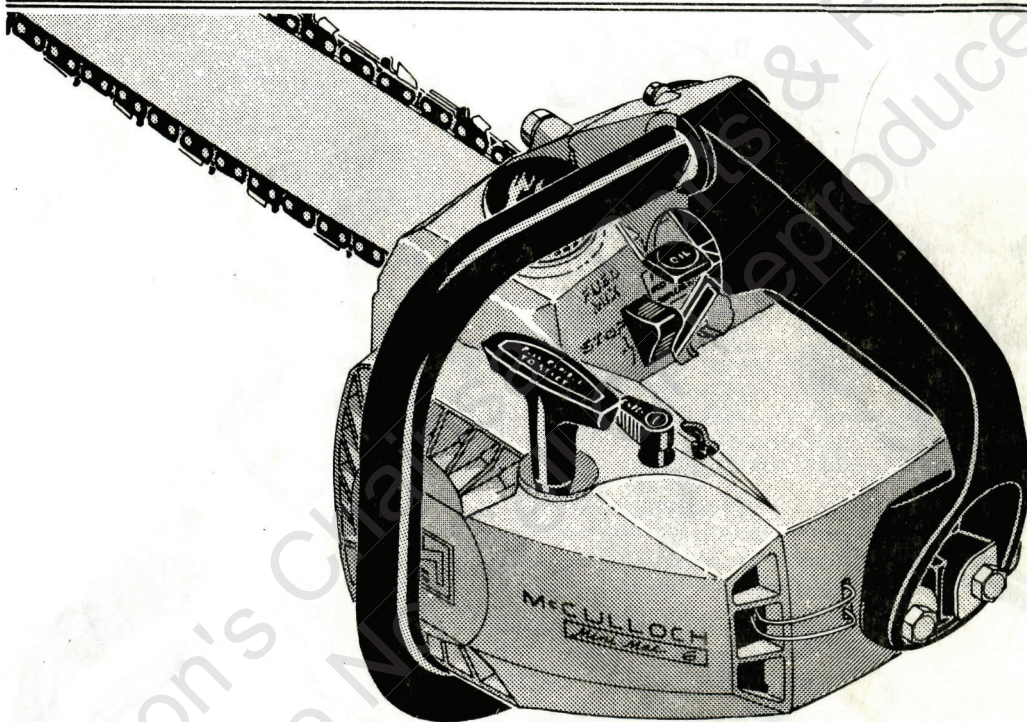
AUTOMATIC

600080 B, G, H, J, S, U

MANUAL

600081 H, J, P, U

May 1973



— CONTENTS —

		Page
Figure 1.	General	2
Figure 2.	Powerhead	4
Figure 3.	Carburetor	6
Figure 4.	CP Handle	8



McCULLOCH CORPORATION



COPYRIGHT U.S.A. 1973
McCULLOCH CORPORATION
PRINTED IN U.S.A.

P/N 89090

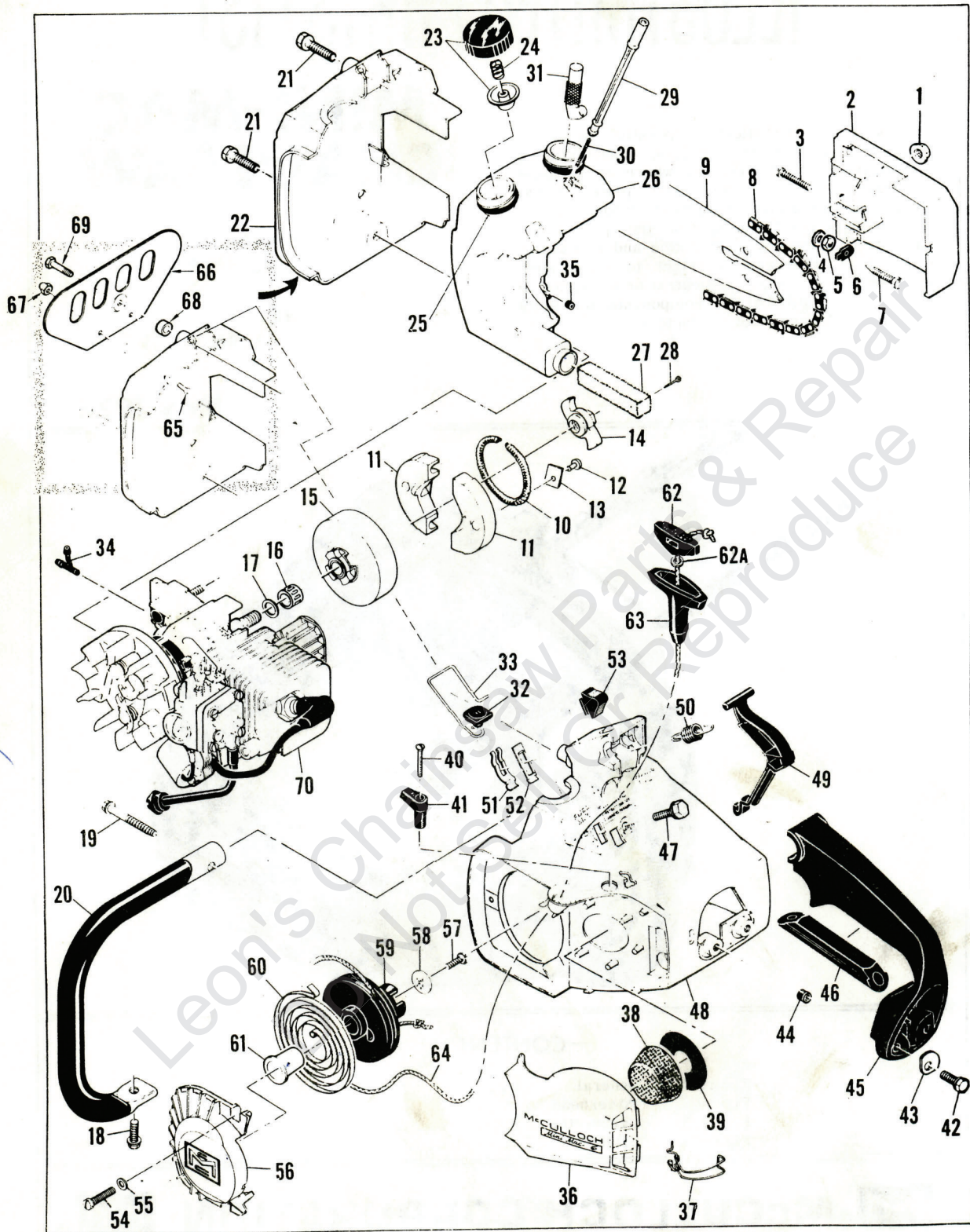


Figure 1. General

Figure 1. General

Item No.	Part Number	Description	Units Per Assy
1	110676	Nut - Hex 1/4-28	1
2	88577	Guard Assy - Clutch	1
3	110660	Screw - Pan hd 8-32 x 1-1/8	1
4	110525	Washer - Wavey	1
5	100955	Nut - Hex 8-32	1
6	84929	Nut - Bar adjusting	1
7	84715	Spike (Accessory)	2
8	①-88053N	Chain Assy - 14 in. bar	1
	②-88052N	Chain Assy - 12 in. bar	1
	③-88509N	Chain Assy - 10 in. bar	1
9	① 68301	Bar - 14 in.	1
	④-88520	Bar - 14 in.	1
	⑤ 66924	Bar - 12 in.	1
	③-88519	Bar - 10 in.	1
	85450	Clutch Assy	1
10	69358	Spring - Clutch	1
11	85202	Shoe Assy - Clutch	2
12	110709	Rivet	2
13	85064	Plate	2
14	85449	Spider	1
15	85504	Kit - Sprocket & Drum	1
16	67650	Bearing - Sprocket	1
17	67303	Washer - Sprocket	1
18	110640	Screw - Hex hd 12-24 x 5/8	1
19	⑥ 110686	Screw - Hex hd 13-16 x 2	1
20	⑥ 84791	Frame & Grip Assy	1
21	110639	Screw - Hex hd 12-24 x 1	2
22	-88591	Cover - Fuel & Oil Tank	1
23	83905	Cap - Fuel & Oil	2
24	85079	Spring - Cap	2
25	⑦ 110732	"O" Ring	2
26	-83899	Tank Assy - Fuel & Oil	1
27	84956	Pickup - Fuel	1
28	85057	Pin - Pickup	1
29	83900	Piston - Manual oiler	1
30	83946	Spring - Piston	1
31	85557	Body - Oiler	1
32	⑧ 84794	Button - Oiler red	1
33	⑥ 84611	Rod - Manual oiler	1
34	⑨ 84653	Connector - Oil pump	1
35	⑨ 86438	Valve - Pump check	1
36	⑩ 84709	Cover - Air cleaner	1
	⑪-83884	Cover - Air cleaner	1
	⑫-87852	Cover - Air cleaner	1

Item No.	Part Number	Description	Units Per Assy
	⑬-88848	Cover - Air cleaner	1
	⑭-89327	Cover - Air cleaner	1
37	83882	Retainer - Cover	1
38	85127	Filter - Air	1
39	84918	Washer - Air seal	1
40	110672	Screw - Oval hd 4-40 x 1	1
41	83870	Knob - Choke	1
42	⑥ 110640	Screw - Hex hd 12-24 x 5/8	2
43	⑥ 84520	Washer - Handle	2
44	⑥ 84519	Sleeve - Handle	2
45	⑥ 83852	Handle	1
46	⑮ 64872	Grip - Handle	1
47	110640	Screw - Hex hd 12-24 x 5/8	3
48	-88567	Shroud	1
49	⑥ 83878	Trigger	1
50	83940	Spring - Trigger	1
51	83935	Contact - Switch	1
52	83936	Protector - Switch	1
53	83934	Button - Switch	1
54	-110041	Screw	3
55	-88588	Washer	3
56	-88570	Cover - Starter	1
57	⑥ 105248	Screw - Rd hd 8-32 x 5/8 (SEMS)	1
	⑧ 110852	Screw - Hex hd 8-18 x 3/4	1
58	84467	Washer - Special	1
59	83876	Drum - Starter	1
60	83078	Spring - Rewind	1
61	83874	Bushing - Starter	1
62	⑧ 68810	Insert - Handle	1
62a	⑯-105490	Washer - Handle	1
63	⑧ 67158	Handle - Starter	1
	⑯-87851	Handle - Starter	1
64	83203	Rope - Starter	1
65	⑬-110768	Screw - Fil hd 10-24 x 1/2	2
66	⑬-88595	Guard - Hand	1
67	⑬-110875	Nut - Acorn	2
68	⑬-88565	Spacer - Guard	1
69	⑬-110873	Screw - Hex hd 12-24 x 1-3/8	1
70		Powerhead Assy (See Figure 2)	

- ① Mini Mac 6A Automatic 600080 B, H, U S N Pre-fixed 14-
 - Mini Mac CP Automatic 600080 J S N Pre-fixed 14-
 - ② Mini Mac 1A Automatic 600080 G S N Pre-fixed 14-
 - Mini Mac CP Automatic 600080 S S N Pre-fixed 14-
 - Mini Mac 1 Manual 600081 J S N Pre-fixed 13-
 - Mini Mac 6 Manual 600081 P, U S N Pre-fixed 13-
 - ③ Mini Mac 1 Manual 600081 H S N Pre-fixed 13-
 - ④ Mini Mac 1A Automatic 600080 G S N Pre-fixed 14-
 - Mini Mac 1 Manual 600081 J S N Pre-fixed 13-
 - ⑤ Mini Mac CP Automatic 600080 S S N Pre-fixed 14-
 - Mini Mac 6 Manual 600081 P, U S N Pre-fixed 13-
 - ⑥ Mini Mac 1 Manual 600081 H S N Pre-fixed 13-
 - Mini Mac 1A Automatic 600080 G S N Pre-fixed 14-
 - Mini Mac 6 Manual 600081 P, U S N Pre-fixed 13-
 - Mini Mac 6A Automatic 600080 B, H, U S N Pre-fixed 14-
- (For Mini Mac CP Automatic 600080 J, S - See Figure 4)

- ⑦ Mini Mac 6A Automatic 600080 B, H, U S N Pre-fixed 14-
- Mini Mac CP Automatic 600080 J, S S N Pre-fixed 14-
- Mini Mac 6 Manual 600081 P, U S N Pre-fixed 13-
- ⑧ Mini Mac 6A Automatic 600080 B, H, U S N Pre-fixed 14-
- Mini Mac CP Automatic 600080 J, S S N Pre-fixed 14-
- Mini Mac 1 Manual 600081 P, U S N Pre-fixed 13-
- ⑨ Mini Mac 1 Manual 600081 H, J S N Pre-fixed 13-
- Mini Mac 6 Manual 600081 P, U S N Pre-fixed 13-
- ⑩ Mini Mac 6 Manual 600081 P, U S N Pre-fixed 13-
- ⑪ Mini Mac 6A Automatic 600080 B, H, U S N Pre-fixed 14-
- ⑫ Mini Mac 1 Manual 600081 H, J S N Pre-fixed 13-
- ⑬ Mini Mac CP Automatic 600080 J, S S N Pre-fixed 14-
- ⑭ Mini Mac 1A Automatic 600080 G S N Pre-fixed 14-
- ⑮ Mini Mac 6A Automatic 600080 B, H, U S N Pre-fixed 14-
- Mini Mac 6 Manual 600081 P S N Pre-fixed 13-
- ⑯ Mini Mac 1A Automatic 600080 G S N Pre-fixed 14-
- Mini Mac 1 Manual 600081 H, J S N Pre-fixed 13-

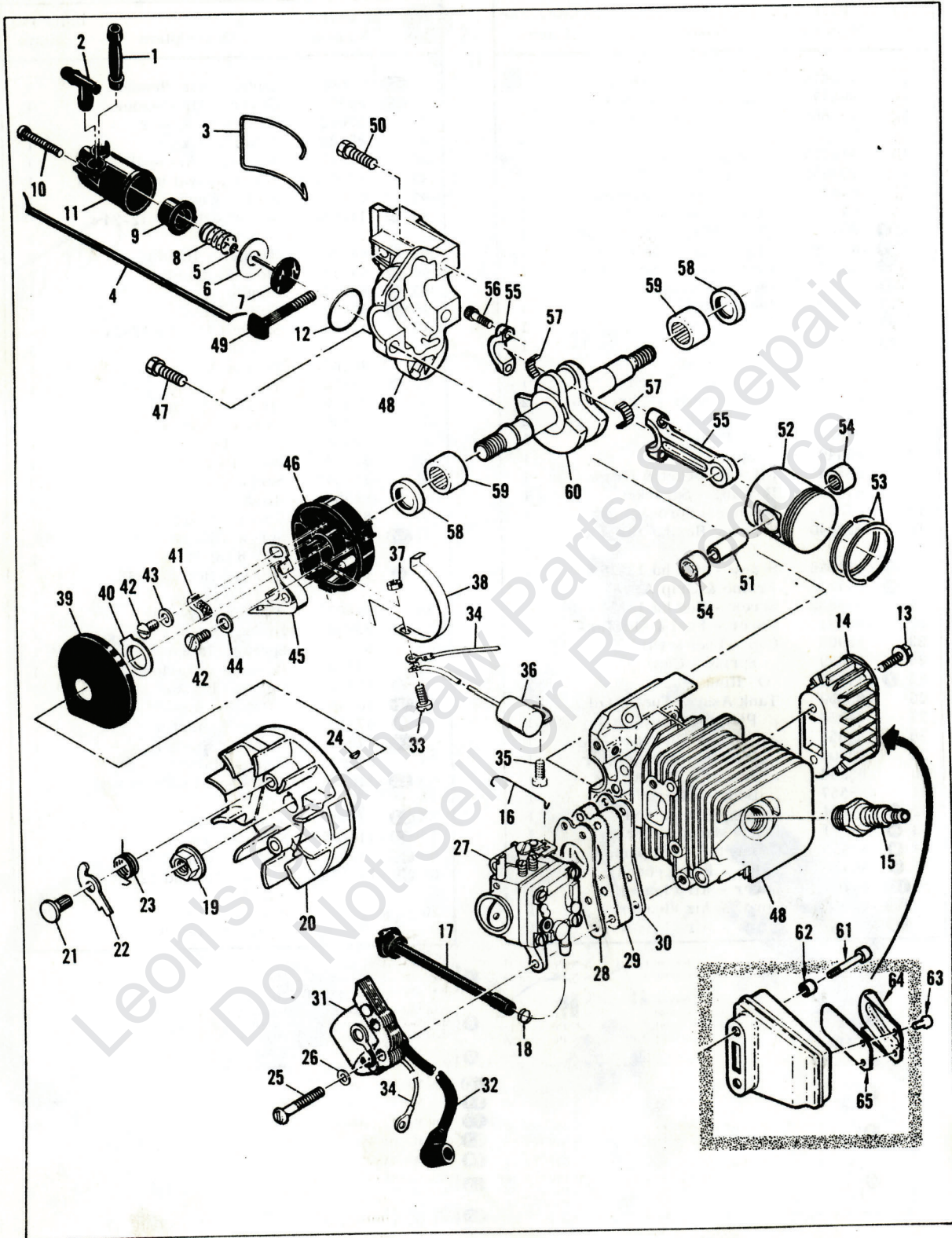


Figure 2. Powerhead

Figure 2. Powerhead

Item No.	Part Number	Description	Units Per Assy
1	83898	Connector - Outlet	1
2	84613	Connector - Pump	1
3	83896	Ball - Mounting	1
4	83886	Pump Assy - Pulse	1
5	105603	"O" Ring	1
6	85769	Ring - Pump piston	1
7	85768	Piston Assy - Pump	1
8	83891	Spring - Pump	1
9	83890	Sleeve - Pump	1
10	110651	Screw - Adjustment	1
11	83887	Body Assy - Pump	1
12	110653	"O" Ring	1
13	-110746	Screw - Hex hd 10-24 x 1 2	2
14	83947	Stack - Exhaust	1
15	63097	Spark Plug - AC CS 45T	1
16	-89274	Rod - Throttle	1
17	83904	Hose - Fuel	1
18	-87826	Clamp - Hose	1
19	-101391	Nut - Hex 3 8-24	1
20	69806	Flywheel & Pawl Assy	1
21	69102	Pin - Pawl	2
22	69103	Pawl - Starter	2
23	67814	Spring - Pawl	2
24	103879	Key - Woodruff	1
25	110586	Screw - Pan hd 8-32 x 1-3 4	3
26	100080	Washer - #8	3
27		Carburetor Assy (See Figure 3)	
28	68197	Gasket - Carburetor	1
29	68195	Insulator - Carburetor	1
30	68196	Gasket - Insulator	1
31	84957	Coil & Lamination Assy	1
32	50120	Wire Assy - Spark plug	1
33	110364	Screw - Pan hd 6-32 x 5 8	1
34	69344	Wire Assy - Coil	1

Item No.	Part Number	Description	Units Per Assy
35	110041	Screw - Pan hd 8-32 x 1 2 s t	1
36	85358	Condenser	1
37	100035	Nut - Hex 6-32	1
38	84502	Connector - Stop switch	1
39	67841	Cover - Breaker box	1
40	69323	Seal - Breaker box	1
41	54184	Wiper - Cam	1
42	110041	Screw - Pan hd 8-32 x 1/2 s t	2
43	69322	Washer - Special	1
44	105976	Washer - #8	1
45	84514	Breaker Assy	1
46	84505	Box - Breaker	1
47	110639	Screw - Hex hd 12-24 x 1	2
48	84984	Crankcase Assy	1
49	83856	Bolt - Bar mounting	1
50	110639	Screw - Hex hd 12-24 x 1	2
51	66867	Pin - Piston	1
52	84981	Piston Assy	1
53	87164	Ring Set - Piston	1
54	110538	Bearing - Needle	2
55	68097	Connecting Rod Assy	1
56	66853	Screw - Special	2
57	68095	Roller - Needle (set of 20)	1
58	83859	Seal - Oil	2
59	66854	Bearing - Needle	2
60	-86498	Crankshaft	1
61	-84992	Kit - Reed muffler	1
61	-110692	Screw - Skt hd 10-24 x 1-3/8	2
62	-84950	Nut - Special	2
63	-110563	Screw - Skt hd 8-32 x 1/4	2
64	-84780	Stop - Reed	1
65	-85258	Reed	1

- ① Mini Mac Automatic 600080 G S/N Prefixed 14-
Mini Mac 6A Automatic 600080 B, H, U S/N Prefixed 14-
Mini Mac CP Automatic 600080 J, S S/N Prefixed 14-
- ② Mini Mac 1 Manual 600081 H S/N Prefixed 13-
Mini Mac 1A Automatic 600080 G S/N Prefixed 14-
Mini Mac 6 Manual 600081 P, U S/N Prefixed 13-
Mini Mac 6A Automatic 600080 B, H, U S/N Prefixed 14-
- ③ Mini Mac CP Automatic 600080 J, S S/N Prefixed 14-

Part numbers which have changed since the previous printing of the illustrated parts list covering these saws, are indicated by a dash (-) preceding the new part number.

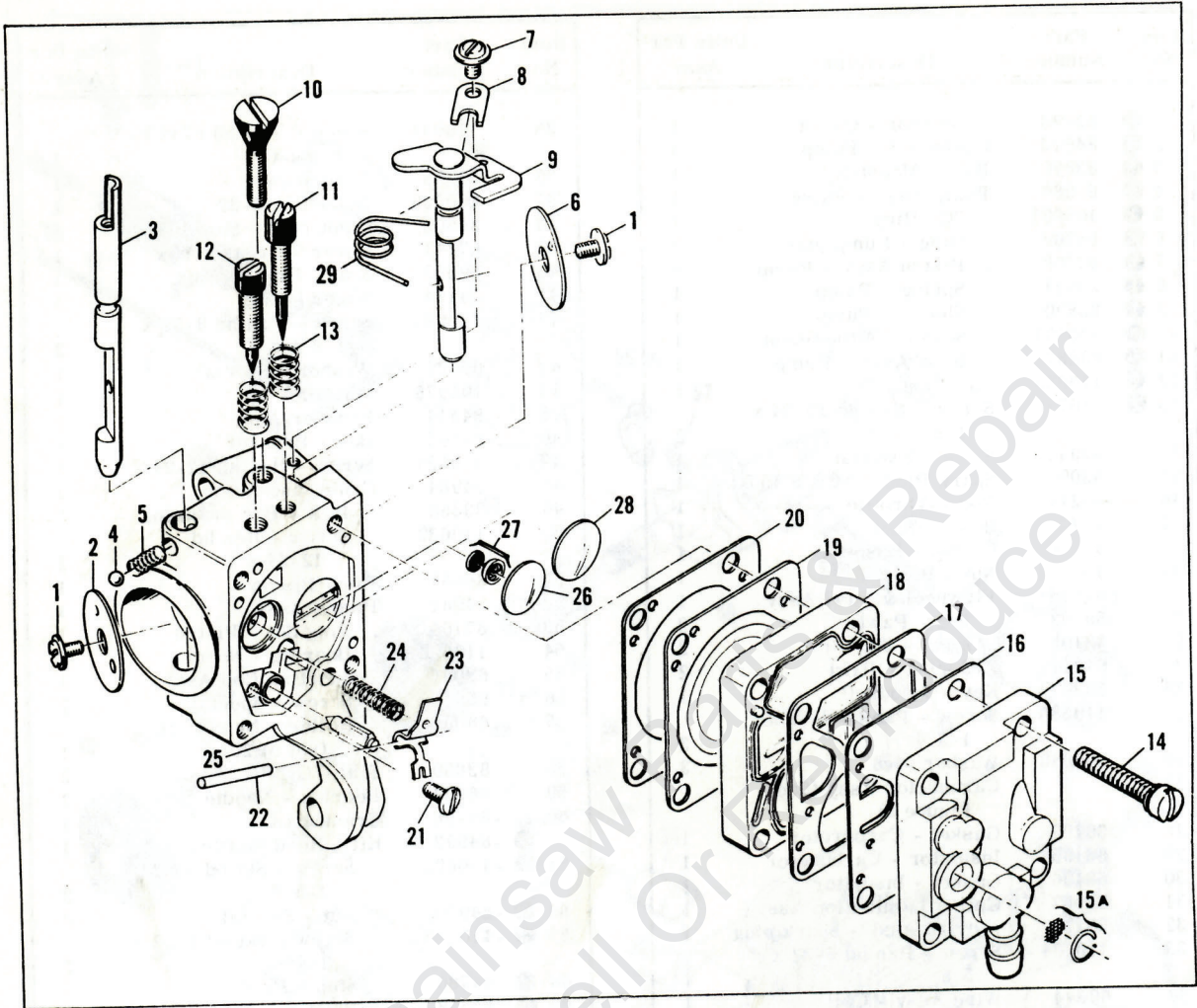


Figure 3. Carburetor

Figure 3. Carburetor

Index No.	Part Number	Description	Units Per Assy
	89273	Carburetor Assy	1
1	* 83755	. Screw - Plate	2
2	68556	. Plate - Choke	1
3	85033	. Shaft - Choke	1
4	* 100302	. Ball - Choke friction	1
5	* 67504	. Spring - Choke friction	1
6	68553	. Plate - Throttle	1
7	70798	. Screw - Clip	1
8	68554	. Clip - Throttle shaft	1
9	85032	. Shaft Assy - Throttle	1
10	* 68566	. Screw - Idle speed	1
11	* 68568	. Needle - Idle	1
12	* 68569	. Needle - High speed	1
13	* 67502	. Spring - Needle	2
14	* 68564	. Screw Assy - Body	4
15	85031	. Cover Assy - Pump	1
15A	85629	. . Kit - Vent screen	1

Index No.	Part Number	Description	Units Per Assy
16	* 68563	. Diaphragm - Fuel pump	
17	* 85035	. Gasket - Pump diaphragm	1
18	85030	. Body - Fuel pump	1
19	* 85036	. Diaphragm - Metering	1
20	* 85034	. Gasket - Diaphragm	1
21	* 67500	. Screw - Lever pin	1
22	* 67508	. Pin - Lever	1
23	* 83756	. Lever - Inlet	1
24	* 68567	. Spring - Lever	1
25	* 83753	. Needle - Inlet	1
26	* 68559	. Plug - Welsh 7/16	1
27	* 83758	. Kit - Check valve	1
28	* 68560	. Plug - Welsh 1/2	1
29	89785	. Spring - Throttle return	1
	85041	Repair Kit	

* Included in Repair Kit, P/N 85041

Leon's Chainsaw Parts
Do Not Sell Or Reproduce

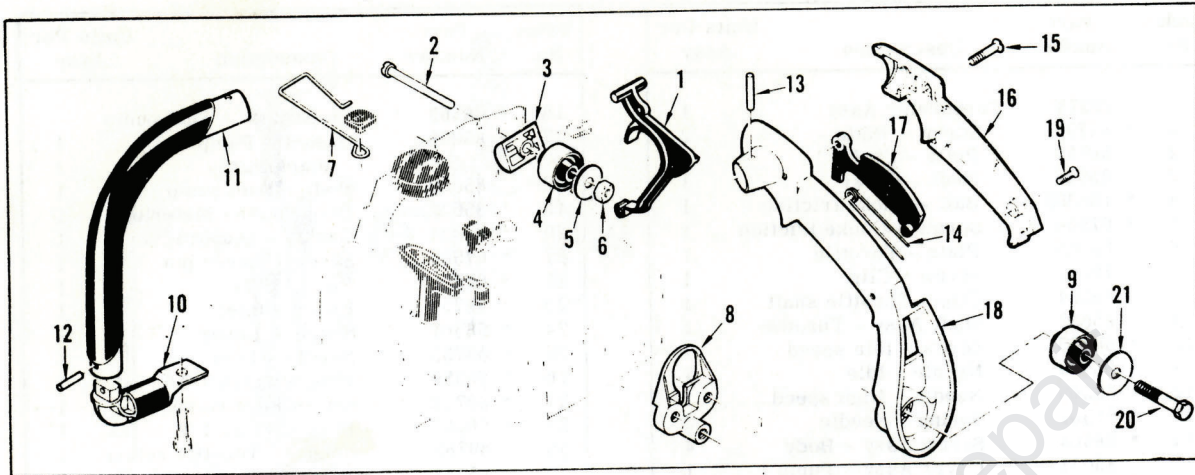


Figure 4. CP Handle

Leon's Chainsaw Parts & Repair
Do Not Sell Or Reproduce

Figure 4. CP Handle^①

Item No.	Part Number	Description	Units Per Assy
1	-88559	Trigger - Throttle	1
2	-103276	Screw - Fil hd 1/4-20 x 2-3/8	1
3	-88449	Fitting - Shroud	1
4	-88442	Mount - Handle	1
5	-110870	Washer - .825 in. OD	1
6	-103242	Nut - Hex 1/4-20	1
7	-88572	Rod - Oiler	1
8	-88556	Adaptor - Rear mount	1
9	-88442	Mount - Handle	1
10	-88445	Mount Assy - Lower frame	1
11	-88443	Frame & Grip Assy	1

Item No.	Part Number	Description	Units Per Assy
12	-110871	Pin - 3 16 x 3/4	1
13	-110872	Pin - 3 16 x 1	1
14	-88552	Spring - Trigger release	1
15	-88555	Screw - Pivot	1
16	-88553	Cover - Handle	1
17	-88551	Release - Trigger	1
18	-88439	Handle	1
19	-110771	Screw - Oval hd 10-24 x 5/8	1
20	-102130	Screw - Hex hd 1/4-20 x 1-1/2	1
21	-104410	Washer - 1.125 in. OD	1

① Mini Mac CP Automatic 600080 J, S S/N Prefix 14-

Accessories

Part Number	Description
84992	Kit - Reed muffler
85933	Kit - Spark arrester screen (Reed muffler)
68768	Kit - Muffler (Lower)
69162	Kit - Spark arrester screen (Lower muffler)
85924	Kit - Spark arrester (PM 6 Type)
85062	Kit - Piston tool
① 88757	Kit - Service tool File - Flat

Part Number	Description
	Guide Assy - File
	Gauge - File
	Handle - File
68648	Wrench
83463	Kit - Gas & Go
83687	Guide - Timing
84338	Rope - 100 ft. reel
① 84959	Case - Carrying
② 85687	Wrench - Screwdriver
③ 88756	Srench

① Mini Mac 1A Automatic 600080 H S N Prefix 14-
 Mini Mac 1 Manual 600081 H S N Prefix 13-
 Mini Mac 6 Manual 600081 U S N Prefix 13-
 ② Mini Mac 1A Automatic 600080 G S N Prefix 14-
 Mini Mac 6A Automatic 600080 H, U S N Prefix 14-
 Mini Mac 6 Manual 600081 F S N Prefix 13-
 ③ Mini Mac 6A Automatic 600080 B, H S N Prefix 14-
 Mini Mac CP Automatic 600080 S S N Prefix 14-

Mini Mac Numerical Order Parts List

Part Number	Description	Units Per Assy
66853	Screw - Con rod	2
66854	Bearing - Needle	2
66867	Pin - Piston	1
66924	Bar - 12 in.	1
67158	Handle - Starter	1
67303	Washer - Sprocket	1
67500	Screw - Metering	1
67502	Spring - Adj	2
67504	Spring - Choke	1
67508	Pin - Metering	1
67650	Bearing - Sprocket	1
67814	Spring - Pawl	2
67841	Cover - Breaker box	1
68095	Set - Needle roller	1
68097	Rod Assy	1
68195	Insulator - Carb	1
68196	Gasket - Carb ins	1
68197	Gasket - Carb	1
68301	Bar - 14 in.	1
68553	Valve - Throttle	1
68554	Clip - Throttle	1
68556	Valve - Choke	1
68559	Plug - Welch 7/16	1
68560	Plug - Welch 1/2	1
68563	Diaphragm - Fuel	1
68564	Screw - Body	4
68566	Screw - Idle adj	1
68567	Spring - Metering	1
68568	Needle - Idle	1
68569	Needle - High	1
68648	Kit - Combination	1
68768	Kit - Louver muffler	1
68810	Insert - Starter	1
69102	Pin - Pawl pivot	2
69103	Pawl - Starter	2
69162	Kit - S/A baffle	1
69322	Washer - Hard #8	1
69323	Seal - Breaker box	1
69344	Wire Assy - Primary	1
69358	Spring - Clutch	1
69806	Flywheel & Pawl	1
70798	Screw Assy - Diaph	1
83078	Spring - Starter	1
83203	Rope - Starter	1
83463	Kit - Gas and go	1
83687	Guide - Timing	1
83753	Valve - Inlet	1
83755	Screw	2
83756	Lever - Metering	1
83758	Kit - Repair	1
83852	Handle	1
83856	Bolt - Blade	1
83859	Seal - C/shaft	2
83870	Knob - Choke	1
83874	Bushing - Starter	1
83876	Drum - Starter	1
83878	Trigger - Throttle	1
83882	Retainer - A/c cover	1
83884	Cover - Air cleaner	1
83886	Pump Assy - Oiler	1
83887	Body Assy	1

Part Number	Description	Units Per Assy
83890	Sleeve - Oil pump	1
83891	Spring - Return	1
83896	Bail - Mounting	1
83898	Connector - Outlet	1
83899	Tank Assy - Fuel & oil	1
83900	Piston - Manual oiler	1
83904	Hose - Fuel	1
83905	Cap - Fuel tank	2
83934	Button - Stop switch	1
83935	Contact - Stop switch	1
83936	Protector - Stop	1
83940	Spring - Trigger	1
83946	Spring - Manual oiler	1
83947	Muffler - Stack	1
84338	Rope - Nylon 100 ft.	1
84467	Washer - Tang	1
84502	Connector - Stop	1
84505	Box - Breaker	1
84514	Breaker Assy	1
84519	Sleeve - Handle	2
84520	Washer - Handle	2
84611	Rod - Manual oiler	1
84613	Connector - Oil pump	1
84653	Connector - Manual oiler	1
84709	Cover - Air cleaner	1
84715	Spike	2
84780	Stop - Reed	1
84791	Frame & Grip Assy	1
84794	Button - Oiler rod	1
84918	Washer - Air seal	1
84929	Nut - Bar adjusting	1
84950	Nut - Round 10-24	2
84956	Pickup Assy - Fuel	1
84957	Coil & Lamination Assy	1
84959	Case - Carrying	1
84981	Kit - Piston Assy	1
84984	Cyl & C/case Assy	1
84992	Kit - Reed muffler	1
85030	Body - Fuel pump	1
85031	Cover Assy - Fuel	1
85032	Shaft Assy - Throttle	1
85033	Shaft - Choke	1
85034	Gasket - Metering	1
85035	Gasket - Fuel pump	1
85036	Diaphragm - Meter	1
85041	Kit - Repair	1
85057	Pin - Fuel pickup	1
85062	Kit - Piston Assy	1
85064	Plate - Clutch	2
85079	Spring - Fuel cap	2
85127	Filter - Airclean	1
85202	Kit - Clutch shoe	2
85258	Valve - Spark arrestor	1
85358	Condenser	1
85449	Spider - Clutch	1
85450	Clutch Assy	1
85504	Kit - Drum & Spark	1
85557	Body Assy - Manual oiler	1
85629	Kit - Vent screen	1
85687	Wrench - Screwdriver	1
85768	Piston Assy - Oil	1

Part Number	Description	Units Per Assy
85769	Ring - Oil pump	1
85924	Kit - Spark arrestor	1
85933	Kit - Spark arrestor	1
86438	Valve - Manual oil pump	1
86498	Kit - C/shaft	1
87164	Set - P/ring	1
87826	Clamp - Pulse line	1
87851	Handle - Starter	1
87852	Cover - Air cleaner	1
88052N	Chain - PM 250 (for 12" bar)	1
88053N	Chain - PM 250 (for 14" bar)	1
88439	Handle	2
88442	Mount - Handle	2
88443	Frame	1
88445	Mount Assy - Lower	1
88449	Fitting - Shroud	1
88509N	Chain - PM 250 (for 10" bar)	1
88519	Bar 10 in.	1
88520	Bar 12 in.	1
88551	Release - Trigger	1
88552	Spring - Trigger	1
88553	Cover - Handle	1
88555	Screw - Pivot	1
88556	Adaptor - Rear mount	1
88559	Trigger - Throttle	1
88565	Spacer - Hand guard	1
88567	Shroud	1
88570	Housing - Starter	1
88572	Rod - Oiler manual	1
88577	Guard Assy Clutch	1
88588	Washer	1
88591	Cover - Oil fuel	1
88595	Guard - Hand	1
88756	Kit - Comb wrench	1
88757	Kit - Ser tools	1
88848	Cover - Air cleaner	1
89273	Carb Assy	1
89274	Rod - Throttle	1
89327	Cover - Air clean	1
89785	Spring - Throttle return	1

Part Number	Description	Units Per Assy
100035	Nut - Hex 6-32	1
100080	Washer - Plain	3
100302	Ball . 125 dia.	1
100955	Nut - Hex lock	1
101391	Nut - Hex lock 3/8	1
102130	Screw - Hex 1/4-20	1
103242	Nut - Hex lock 1/4	1
103276	Screw - Fil 1/4-20	1
103879	Key - Wdf	1
104410	Washer - 1/4	1
105248	Screw - Rd. sems	1
105490	Washer - Pl	1
105603	O Ring	1
105976	Washer - #8	1
110041	Screw - Pan 8-32	6
110364	Screw - Pan 6-32	1
110523	Washer - Wavey	1
110538	Bearing - Needle	2
110563	Screw - Skt 8-32	2
110586	Screw - Pan hd	3
110639	Screw - Hex 12-24	6
110640	Screw - Hex 12-24	6
110651	Screw - Fl 6-40	1
110653	O Ring	1
110660	Screw - Pan 8-32	1
110672	Screw - Ov 4-40	1
110676	Nut - Hex 1/4-28	1
110686	Screw - Hex 13-16	1
110692	Screw - Soc 10-24	2
110709	Rivet	2
110732	O Ring	2
110746	Screw - Hex hd 10-24 x 1/2	2
110768	Screw - Fl 10-24	2
110771	Screw - Ov 10-24	1
110852	Screw - Pan hd 8-18	1
110870	Washer - .825 OD	1
110871	Pin - 3/16 x 3/4	1
110872	Pin - 3/16 x 1	1
110873	Screw - Hex 12-24	1
110875	Nut - Acorn	2

McCULLOCH



● MANUFACTURING ● SALES ● SERVICE ●

McCULLOCH CORPORATION

P.O. BOX 92180, LOS ANGELES, CALIFORNIA 90009

INTERNATIONAL DIVISIONS:

LOS ANGELES, CALIFORNIA, P.O. BOX 92181

Leon's Chainsaw Parts & Repair
Do Not Sell Or Reproduce