

ILLUSTRATED PARTS LIST

MINI-MAC 6[®] CHAIN SAW

The policy of McCulloch Corporation is one of continual improvement in design, manufacturing and engineering advancement wherever possible to assure still finer two-cycle power tools. Hence, specifications, equipment, colors, design and manufacturer's suggested list prices are subject to change without notice and McCulloch Corporation reserves the right to make such changes without prior notification or obligation to backfit or supply backfit components for units previously shipped from the factory.

MODELS:

AUTOMATIC

600080

600080 U,H,B

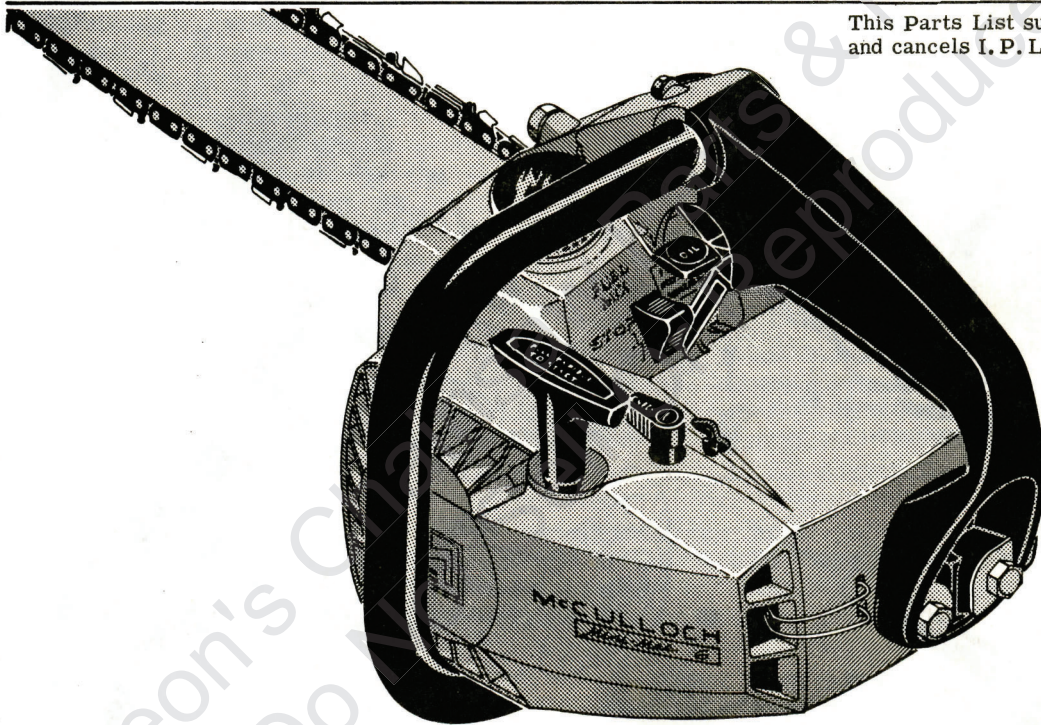
MANUAL

600081

600081 U,P

APRIL 1972

This Parts List supersedes
and cancels I. P. L. P/N 85509



— CONTENTS —

	Page
Figure 1. General	2
Figure 2. Powerhead	4
Figure 3. Carburetor	6

M[®] McCULLOCH CORPORATION M[®]

COPYRIGHT U.S.A. 1972
McCULLOCH CORPORATION

P/N 86497

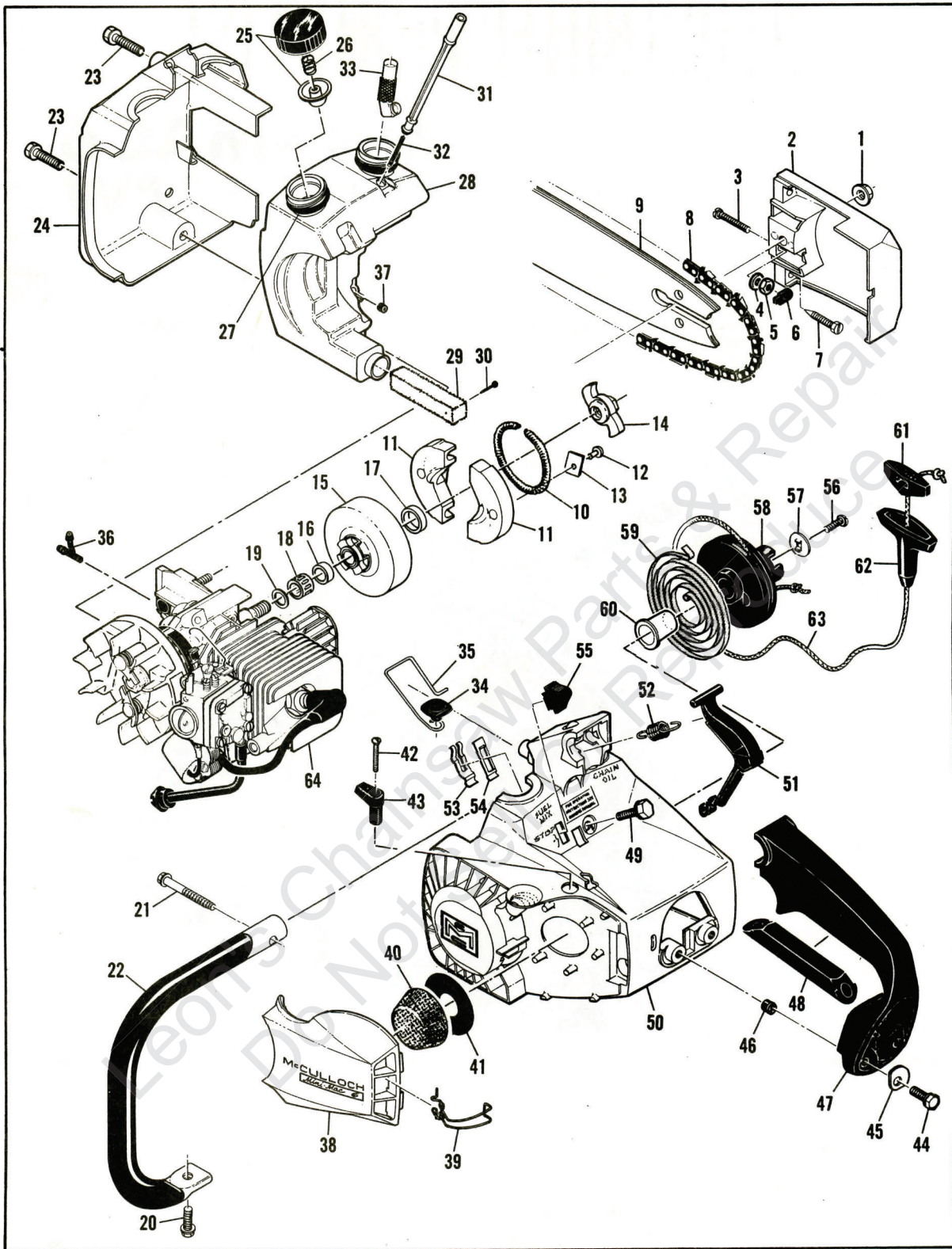


Figure 1. General

FIGURE 1. GENERAL

Item No.	Part Number	Description	Units Per Assy
1	110676	Nut - Hex 1/4-28	1
2	85456	Guard Assy - Clutch	1
3	110660	Screw - Pan hd 8-32 x 1-1/8	1
4	110525	Washer - Wavey	1
5	100955	Nut - Hex 8-32	1
6	84929	Nut - Bar adjusting	1
7	84715	Spike	2
8	67747N	Chain Assy - 14 in. bar	1
3	67746N	Chain Assy - 12 in. bar	1
9	68301	Bar - 14 in.	1
3	66924	Bar - 12 in.	1
4	83906	Clutch Assy	1
5	85450	Clutch Assy	1
10	69358	Spring - Clutch	1
11	85202	Shoe Assy - Clutch	2
12	110709	Rivet	2
13	85064	Plate	2
14	83907	Spider	1
5	85449	Spider	1
15	85504	Kit - Sprocket & Drum	1
16	85144	Spacer - Bearing	1
17	85319	Spacer - Drum	1
18	67650	Bearing - Sprocket	1
19	67303	Washer - Sprocket	1
20	110640	Screw - Hex hd 12-24 x 5/8 s/t	1
21	110686	Screw - Hex hd 13-16 x 2	1
22	84791	Frame & Grip Assy	1
23	110639	Screw - Hex hd 12-24 x 1	2
24	84792	Cover - Fuel tank	1
25	83905	Cap - Fuel & Oil	2
26	85079	Spring - Cap	2
27	110732	"O" Ring	2
28	86441	Tank Assy - Fuel & Oil	1
29	84956	Pickup - Fuel	1
30	85057	Pin - Pickup	1
31	83900	Piston - Manual oiler	1

Item No.	Part Number	Description	Units Per Assy
32	83946	Spring - Piston	1
33	85557	Body - Oiler	1
34	84794	Button - Oiler rod	1
35	84611	Rod - Manual oiler	1
36	84653	Connector - Oil pump	1
37	86438	Valve - Pump check	1
38	84709	Cover Assy - Air cleaner	1
39	83882	Retainer - Cover	1
40	85127	Filter - Air	1
41	84918	Washer - Air seal	1
42	110672	Screw - Oval hd 4-40 x 1	1
43	83870	Knob - Choke	1
44	110640	Screw - Hex hd 12-24 x 5/8 s/t	2
45	84520	Washer - Handle	2
46	84519	Sleeve - Handle	2
47	83852	Handle	1
48	64872	Grip - Handle	1
49	110640	Screw - Hex hd 12-24 x 5/8 s/t	3
50	83872	Fan Housing	1
51	83878	Trigger	1
52	83940	Spring - Trigger	1
53	83935	Contact - Switch	1
54	83936	Protector - Switch	1
55	83934	Button - Switch	1
56	105248	Screw - Rd hd 8-32 x 5/8 (SEMS)	1
57	84467	Washer - Special	1
58	83876	Drum - Starter	1
59	83078	Spring - Rewind	1
60	83874	Bushing - Starter	1
61	68810	Insert - Handle	1
62	67158	Handle - Starter	1
63	83203	Rope - Starter	1
64		Powerhead Assy (See Figure 2)	1

Model	Oiler	S/N Prefix	S/N's
1 600081P	Manual	All	All (Std. Equip.)
2 600080	Automatic	All	All
2 600080U, H, B	Automatic	13-	All
3 600081	Manual	All	All
3 600081U, H	Manual	12-	All
4 600080	Automatic	A10-, 11-	10001 to 33969
4 600081	Manual	A10-, 10-	10001 to 41435
5 600080	Automatic	A10-, 11-	33969 & Up
		A11-, 12-	All
5 600081	Manual	A10-, 10-	41435 & Up
		A11-, 11-	All
5 600081U, P	Manual	12-	All
5 600080U, H, B	Automatic	13-	All
6 600080	Automatic	All	All (Std. Equip.)
6 600080U, H, B	Automatic	All	All (Std. Equip.)

Part numbers which have changed since the previous printing of the illustrated parts list covering these saws, are indicated by a dash (-) preceding the new part number.

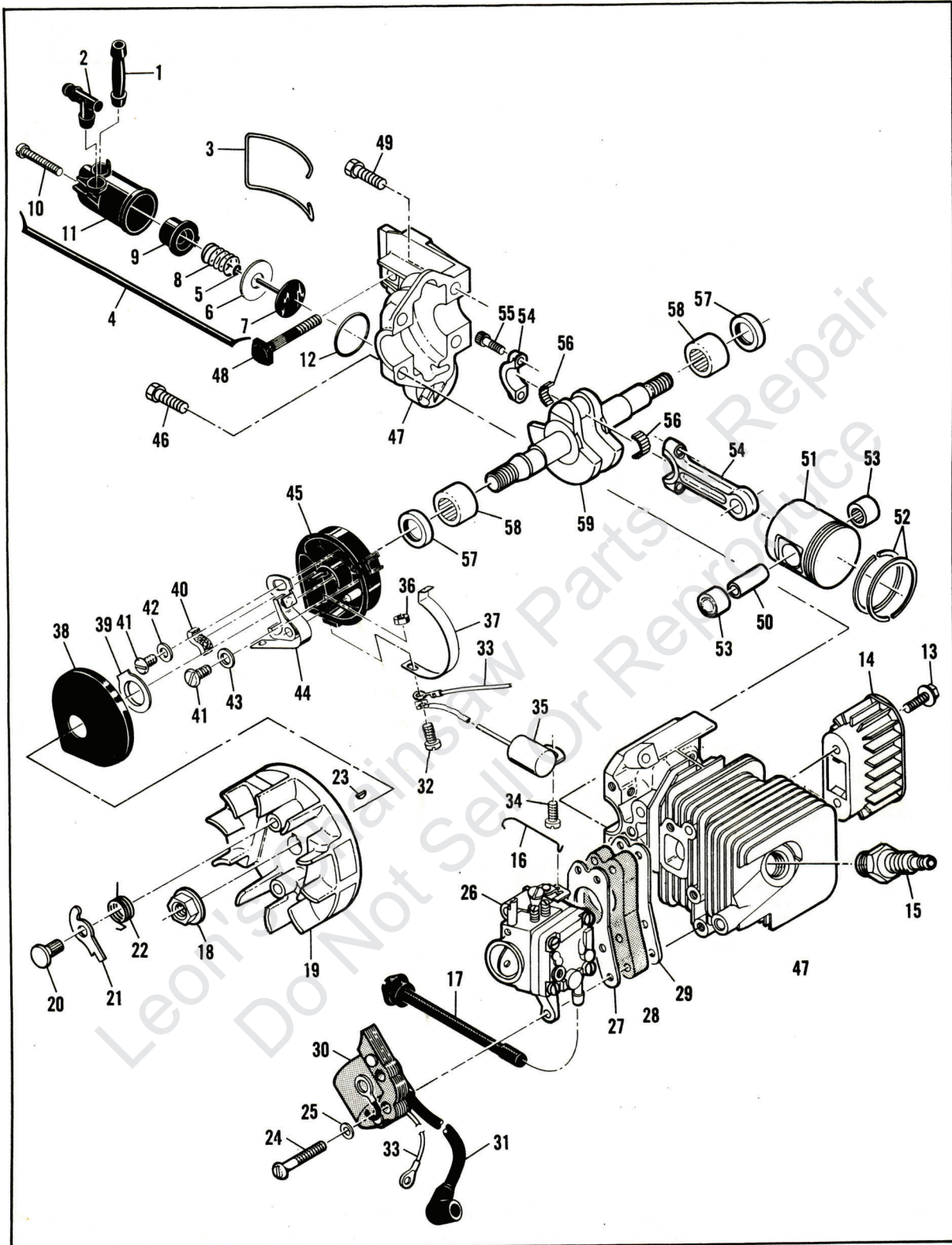


Figure 2. Powerhead.

FIGURE 2. POWERHEAD ASSEMBLY

Item No.	Part Number	Description	Units Per Assy	Item No.	Part Number	Description	Units Per Assy
1	83898	Connector - Outlet	1	32	110364	Screw - Pan hd 6-32 x 5/8	1
2	84613	Connector - Pump	1	33	69344	Wire Assy - Coil	1
3	83896	Bail - Mounting	1	34	110041	Screw - Pan hd 8-32 x 1/2 s/t	1
4	83886	Pump Assy - Pulse	1	35	85358	Condenser	1
5	-105603	. "O" Ring	1	36	100035	Nut - Hex 6-32	1
6	-85769	. Ring - Pump piston	1	37	84502	Connector - Stop switch	1
7	-85768	. Piston Assy - Pump	1	38	67841	Cover - Breaker box	1
8	83891	. Spring - Pump	1	39	69323	Seal - Breaker box	1
9	83890	. Sleeve - Pump	1	40	54184	Wiper - Cam	1
10	110651	. Screw - Adjustment	1	41	110041	Screw - Pan hd 8-32 x 1/2 s/t	2
11	83887	. Body Assy - Pump	1	42	69322	Washer - Special	1
12	110653	"O" Ring	1	43	105976	Washer - #8	1
13	110682	Screw - Hex hd 10-24 x 5/8	2	44	84514	Breaker Assy	1
14	83947	Stack - Exhaust	1	45	84505	Box - Breaker	1
15	63097	Spark Plug - AC CS 45T	1	46	110639	Screw - Hex hd 12-24 x 1	2
16	83879	Rod - Throttle	1	47	84984	Crankcase Assy	1
17	83904	Hose - Fuel	1	48	83856	. Bolt - Bar mounting	1
18	110678	Nut - Hex 3/8-24	1	49	110639	. Screw - Hex hd 12-24 x 1	2
19	69806	Flywheel & Pawl Assy	1	50	66867	Pin - Piston	1
20	-69102	. Pin - Pawl	2	51	84981	Piston Assy	1
21	69103	. Pawl - Starter	2	52	-87164	. Ring Set - Piston	1
22	67814	. Spring - Pawl	2	53	110538	. Bearing - Needle	2
23	103879	Key - Woodruff	1	54	68097	Connecting Rod Assy	1
24	110586	Screw - Pan hd 8-32 x 1-3/4	3	55	66853	. Screw - Special	2
25	100080	Washer - #8	3	56	68095	. Roller - Needle (set of 20)	1
26		Carburetor Assy (See Figure 3)		57	83859	Seal - Oil	2
27	68197	Gasket - Carburetor	1	58	66854	Bearing - Needle	2
28	68195	Insulator - Carburetor	1	59	-85598	Crankshaft	1
29	68196	Gasket - Insulator	1				
30	-84957	Coil & Lamination Assy	1				
31	-50120	. Wire Assy - Spark plug	1				

Model

2 600080
2 600080U, H, B,

Oiler

Automatic
Automatic

S/N Prefix

All
13-

S/N's

All
All

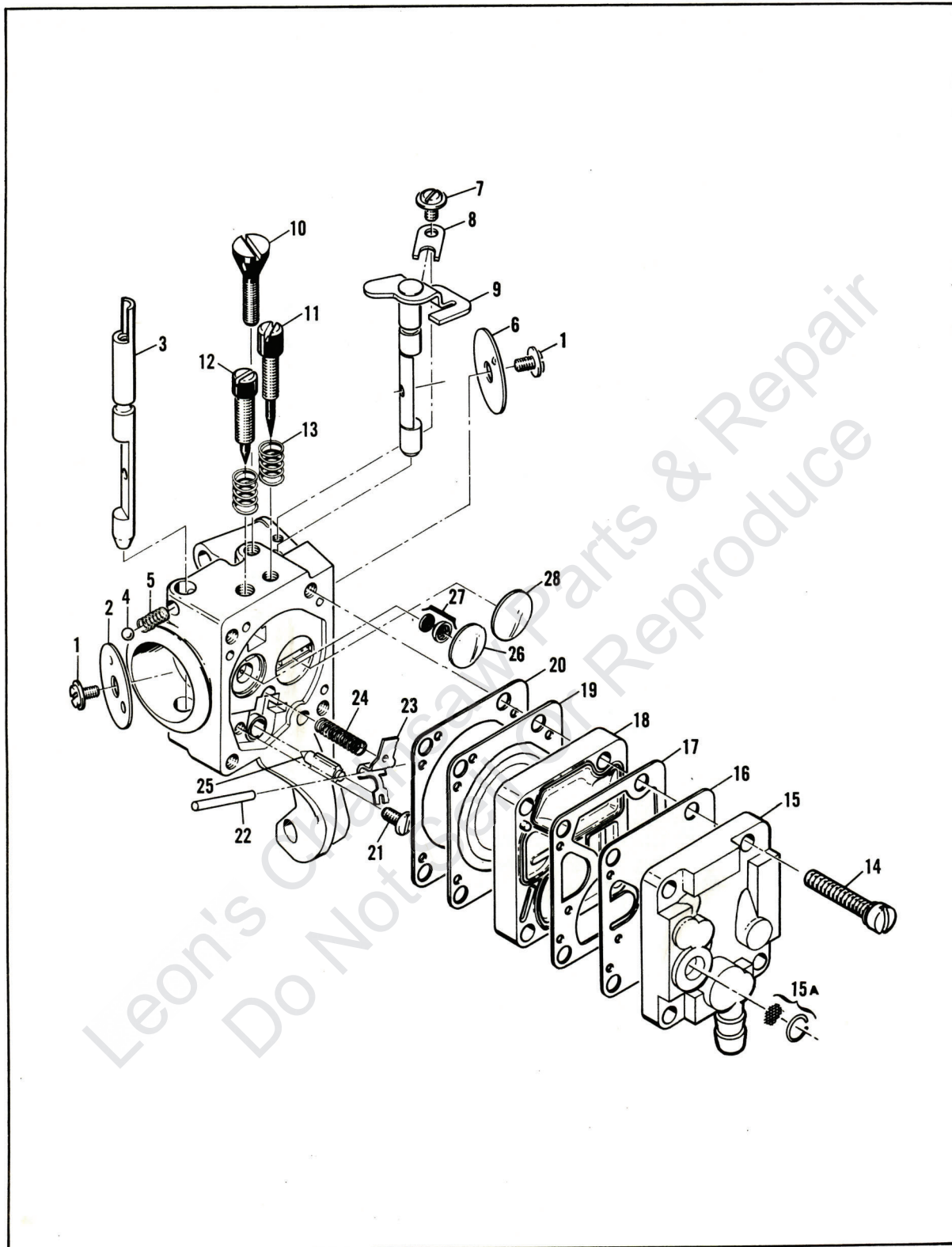


Figure 3. Carburetor

FIGURE 3. CARBURETOR ASSEMBLY

Index No.	Part Number	Description	Units Per Assy
	83869	Carburetor Assy	1
1	* 83755	. Screw - Plate	2
2	68556	. Plate - Choke	1
3	85033	. Shaft - Choke	1
4	* 100302	. Ball - Choke friction	1
5	* 67504	. Spring - Choke friction	1
6	68553	. Plate - Throttle	1
7	70798	. Screw - Clip	1
8	68554	. Clip - Throttle shaft	1
9	85032	. Shaft Assy - Throttle	1
10	* 68566	. Screw - Idle speed	1
11	* 68568	. Needle - Idle	1
12	* 68569	. Needle - High speed	1
13	* 67502	. Spring - Needle	2
14	* 68564	. Screw Assy - Body	4
15	85031	. Cover Assy - Pump	1
15A	85629	. . Kit - Vent screen	1

Index No.	Part Number	Description	Units Per Assy
16	* 68563	. Diaphragm - Fuel pump	1
17	* 85035	. Gasket - Pump diaphragm	1
18	85030	. Body - Fuel pump	1
19	* 85036	. Diaphragm - Metering	1
20	* 85034	. Gasket - Diaphragm	1
21	* 67500	. Screw - Lever pin	1
22	* 67508	. Pin - Lever	1
23	* 83756	. Lever - Inlet	1
24	* 68567	. Spring - Lever	1
25	* 83753	. Needle - Inlet	1
26	* 68559	. Plug - Welsh 7/16	1
27	* 83758	. Kit - Check valve	1
28	* 68560	. Plug - Welsh 1/2	1
	85041	Repair Kit	

* Included in Repair Kit, P/N 85041

ACCESSORIES

Part Number	Description
84992	Muffler - Reed
85933	Kit - Spark arrester screen (Reed muffler)
68768	Kit - Muffler
69162	Screen - Spark arrester (PM 6 muffler)
85062	Kit - Piston tool
83687	Guide - Timing
68648	Scrench
84338	Rope - 100 ft reel

Part Number	Description
83924	Owner's Manual
-85924	Kit - Spark arrester
-85687	Wrench - Screwdriver
-84715	Spike
*-84959	Carrying Case
*-84904	Kit - Tool
*-84911	. Handle - File
*-68648	. Wrench
*-83463	Kit - Gas & Go
**-83234	Wrench

*Furnished with Models 600080H and 600081H
 **Furnished with Model 600080B

SERVICE SPECIFICATIONS

Spark Plug Gap -----	0.025 in.
Lamination Gap -----	0.010 to 0.015 in.
Breaker Point Gap -----	0.018 in.
Carburetor Adjustment	
Idle Needle - Preliminary adjustment	3/4 turn open
	Adjust for smooth idle and acceleration.
Main Needle - Preliminary adjustment	3/4 turn open
	Adjust for maximum power under load.
Torque Values	
Flywheel Nut -----	240 to 300 inch-pounds
Clutch Nut -----	125 to 150 inch-pounds
Connecting Rod Screws -----	35 to 40 inch-pounds



McCULLOCH



● MANUFACTURING ● SALES ● SERVICE ●

McCULLOCH CORPORATION

6101 WEST CENTURY BLVD., LOS ANGELES, CALIFORNIA 90045

INTERNATIONAL DIVISIONS:

LOS ANGELES, CALIF., P.O. BOX 45466

SINGAPORE, 431-432 PEOPLE'S PARK COMPLEX

McCULLOCH OF CANADA LTD.

6338 VISCOUNT ROAD, MALTON, ONTARIO, CANADA

McCULLOCH OF EUROPE, N. V.

GEERDEGEM SCHONENBERG, 299 2800 MECHELEN, BELGIUM

McCULLOCH OF AUSTRALIA PTY., LTD.

P.O. BOX 223, SEVEN HILLS, N.S.W. 2147, AUSTRALIA

Leon's Crankshaft Parts & Repair
Do Not Sell Or Reproduce