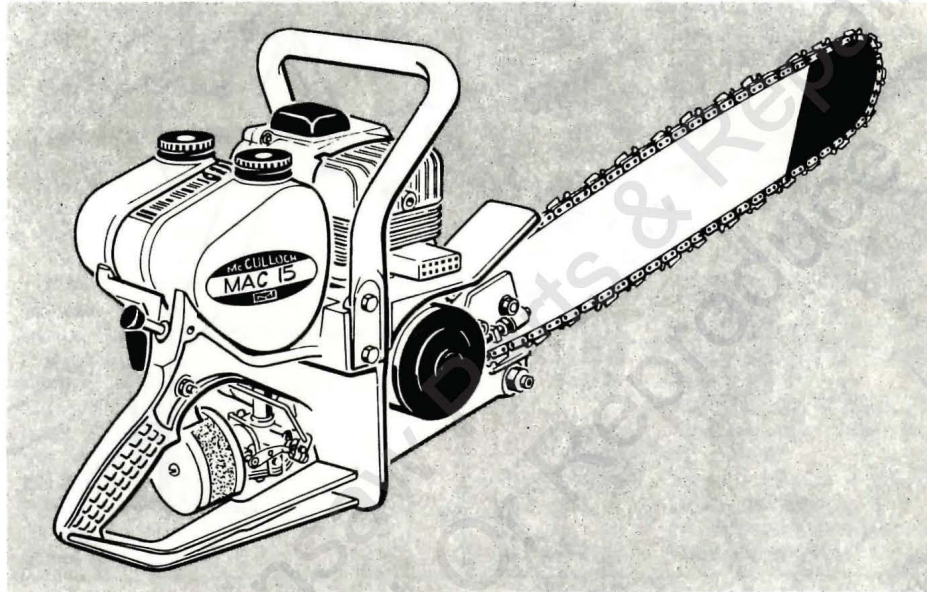


MAC 15 Chain Saw

Serial Numbers Prefixed 10 -

ILLUSTRATED PARTS LIST



MAY 1968

The policy of McCulloch Corporation is one of continual improvement in design, manufacturing and engineering advancement wherever possible to assure still finer two-cycle power tools. Hence, specifications, equipment, colors, design and manufacturer's suggested list prices are subject to change without notice and McCulloch Corporation reserves the right to make such changes without prior notification or obligation to backfit or supply backfit components for units previously shipped from the factory.

	Page
Figure 1. Engine Exploded View - General	2
Figure 2. Fan Housing, Starter, Flywheel and Crankcase Cover	4
Figure 3. Powerhead	6
Figure 4. Carburetor and Air Filter	8



McCULLOCH

MAC 15

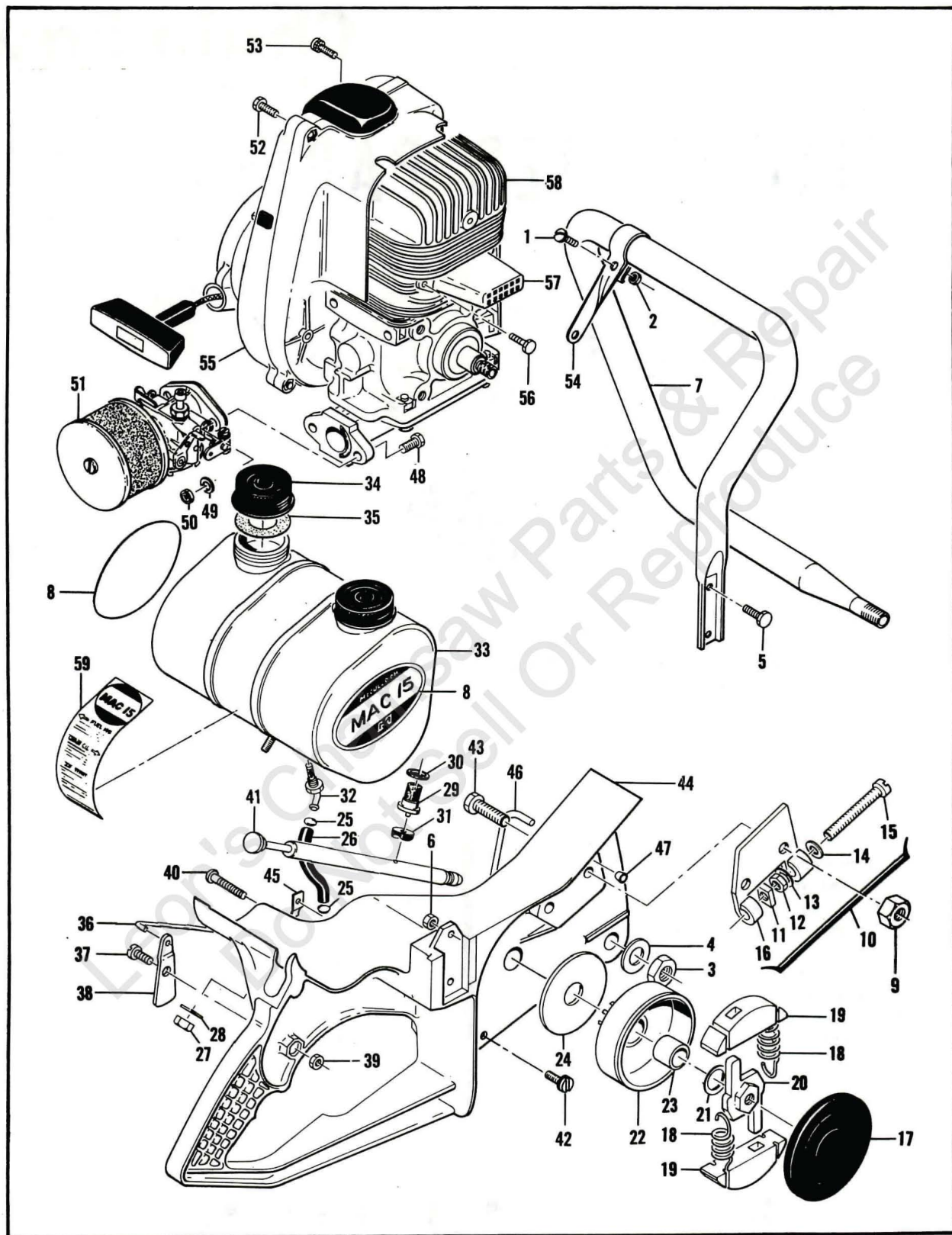


Figure 1. Engine Exploded View - General

FIGURE 1. ENGINE EXPLODED VIEW — GENERAL

Item No.	Part Number	Description	Units Per Assy	Item No.	Part Number	Description	Units Per Assy
1	100716	Screw - Rd hd 10-24 x 5/8	1	32	52887	Fitting - Fuel outlet	1
2	101191	Locknut - 10-24	1	33	62776	Tank Assy	1
3	100604	Jamnut - 1/2-20	1	34	52923A	. Cap - tank	2
4	110010	Washer - Spring 1/2	1	35	52964	. Gasket	2
5	102861	Screw - Hex hd 1/4-20 x 5/8	2	36	52824	Rod - Throttle	1
6	103242	Nut - Hex 1/4-20	1	37	52888	Screw - Trigger	1
7	52804	Frame	1	38	52823	Trigger	1
8	52862	Nameplate	2	39	101191	Nut - Hex 10-24	1
9	103729	Nut - Hex 3/8-24	2	40	101449	Screw - Rd hd 8-32 x 5/8	1
10	66275	Clamp Assy - Bar	1	41	65381	Pump Assy - Oiler	1
11	52828	. Nut - Adjusting	1	42	110208	Screw - Flat hd 1/4-20 x 3/4 (SEMS)	4
12	100640	. Locknut - 1/4-28	1	43	52957	Bolt - Bar mounting	2
13	102813	. Washer - Spring	1	44	68007	Handle Assy - Saw	1
14	102843	. Washer - 1/4	1	45	110180	. Nut - Speed	1
15	103919	. Bolt - Fil hd 1/4-28 x 2-1/2	1	46	68005	. Tube Assy - Oiler	1
16	66276	. Clamp - Bar	1	47	52876	. Sleeve - Tube	1
17	52837	Cover - Clutch	1	48	102121	Screw - Hex hd 1/4-20 x 7/8	2
	52844	Clutch Assy	1	49	100005	Washer - 1/4	2
18	63999	. Spring - Clutch	2	50	103242	Nut - Hex 1/4-20	2
19	52845	. Shoe - Clutch	2	51		Carburetor & Air Filter (See Figure 4)	1
20	52846	. Rotor - Clutch	1	52	104815	Screw - Hex hd 10-24 x 7/8	3
21	101270	Washer - 7/16	1	53	103947	Screw - 10-24 x 1 (SEMS)	1
22	52878	Drum, Sprocket & Bushing Assy	1	54	52883	Brace - Frame	1
23	50128	. Bushing	1	55		Fan Housing, Starter, Flywheel & Crankcase Cover (See Figure 2)	1
24	50132	Washer - Sprocket	1	56	104840	Screw - Hex hd 10-24 x 3/4	2
25	50742	Clamp - Hose	2	57	50115	Pipe - Exhaust	1
26	52808	Hose - Fuel	1	58		Powerhead (See Figure 3)	1
27	101330	Nut - Hex 5/16-18	1	59	-68727	Instruction Decal	1
28	100443	Lockwasher - 5/16	1				
29	65382	Filter Assy - Oil tank	1				
30	62779	Gasket - Filter	1				
31	52822	Gland - Oiler	1				

Part numbers which have changed since the previous printing of the illustrated parts list covering these saws, are indicated by a dash (-) preceding the new part number. The dash precedes part numbers changed by a letter suffix as well as those changed to an entirely new number.

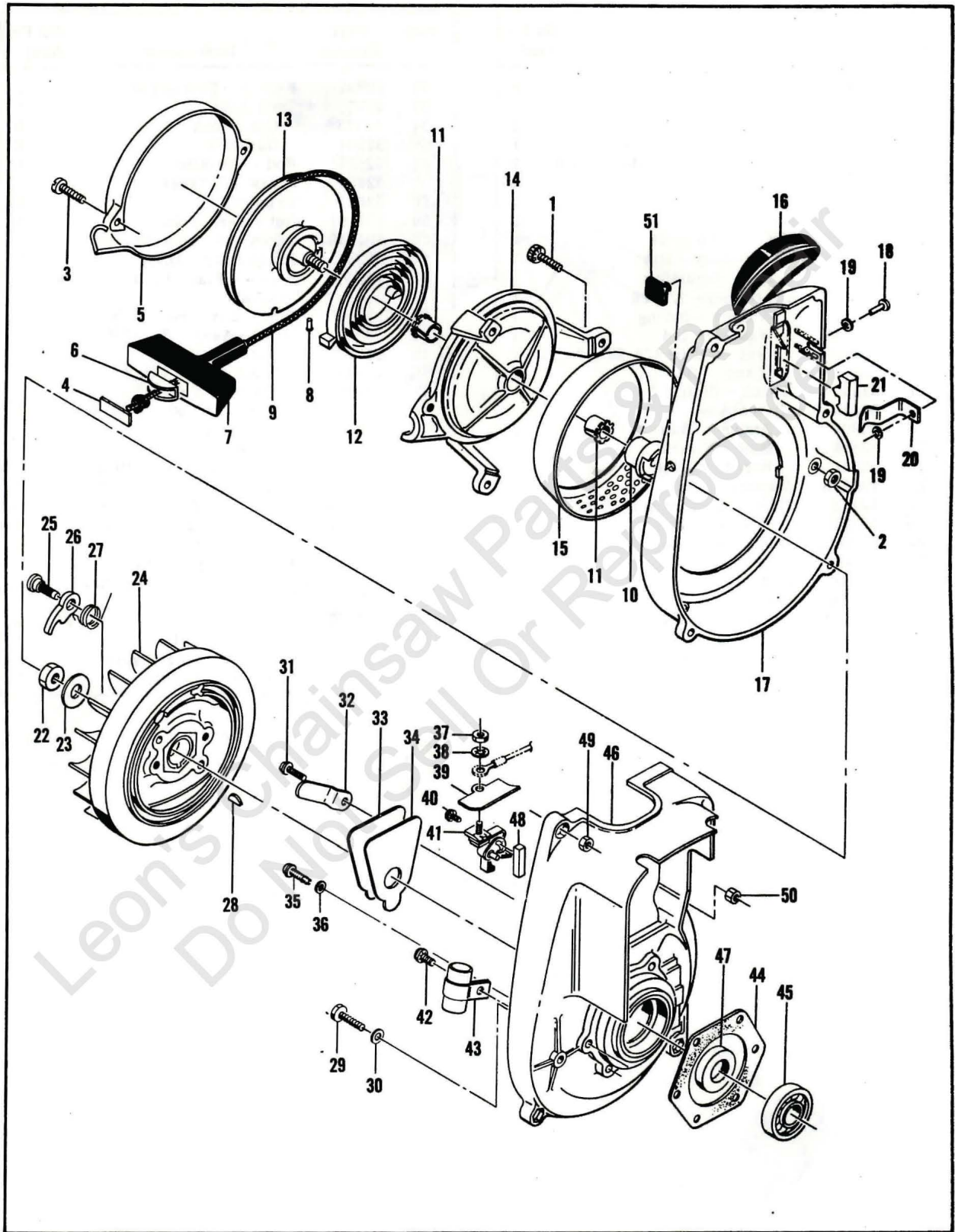


Figure 2. Fan Housing, Starter, Flywheel and Crankcase Cover

FIGURE 2. FAN HOUSING, STARTER, FLYWHEEL AND CRANKCASE COVER

Item No.	Part Number	Description	Units Per Assy	Item No.	Part Number	Description	Units Per Assy
1	104815	Screw - Hex hd 10-24 x 7/8	3	26	24093	. Pawl - Starter	2
2	101191	Nut - Hex 10-24	3	27	50582	. Spring - Pawl	2
	60130	Starter Assy	1	28	103879	Key - Woodruff #3	1
3	104396	. Screw - Pan hd 10-24 x 3/4	2	29	102289	Screw - Hex hd 10-24 x 3/4	3
4	57232	. Plate - Starter handle	1	30	102189	Washer - #10	3
5	60647	. Cover - Starter	1	31	104815	Screw - Hex hd 10-24 x 7/8	1
6	57231	. Cup - Starter handle	1	32	50671	Retainer - Breaker cover	1
7	57230	. Handle - Starter	1	33	50588A	Cover - Breaker box	1
8	101136	. Rivet - Rd hd 3/32 dia x 5/16	1	34	65584	Gasket - Breaker box	1
9	28716	. Rope - Starter	1	35	55494	Screw Assy - Sealing #10	2
10	57790	. Ratchet - Starter	1	36	55492	. Washer - Sealing	2
11	57535	. Bushing - Starter base	2	37	100251	Nut - Hex 8-32	1
12	51665	. Spring - Rewind	1	38	100057	Lockwasher - Internal #8	1
13	57792	. Drum - Starter	1	39	50381A	Insulator - Breaker terminal	1
14	60646	. Base - Starter	1	40	103928	Screw - 8-32 x 1/2 (SEMS)	1
15	50581A	Guard - Sawdust	1	41	50076A	Breaker Assy	1
16	57565	Cover Assy - Spark plug	1	42	103928	Screw - 8-32 x 1/2 (SEMS)	1
17	57184B	Housing Assy - Fan	1	43	50074	Condenser	1
18	103819	. Rivet	1	44	51240	Gasket - Cover	1
19	24236	. Washer	2	45	100824	Bearing - Ball	1
20	50818	. Spring - Switch	1	46	57126A	Crankcase Cover Assy	1
21	50817	. Button - Switch	1	47	50663	. Seal - Oil	1
22	101179	Nut - Hex 7/16-20	1	48	54184	. Wiper - Felt	1
23	101270	Washer - 7/16	1	49	101326	. Nut - Hex 10-24	2
24	68282	Flywheel & Pawl Assy	1	50	101326	Nut - Hex 10-24	2
25	36144B	. Pin - Starter pawl	2	51	55670	Grommet	1

Leon's Chainsaw Parts
Do Not Sell Or Reproduce

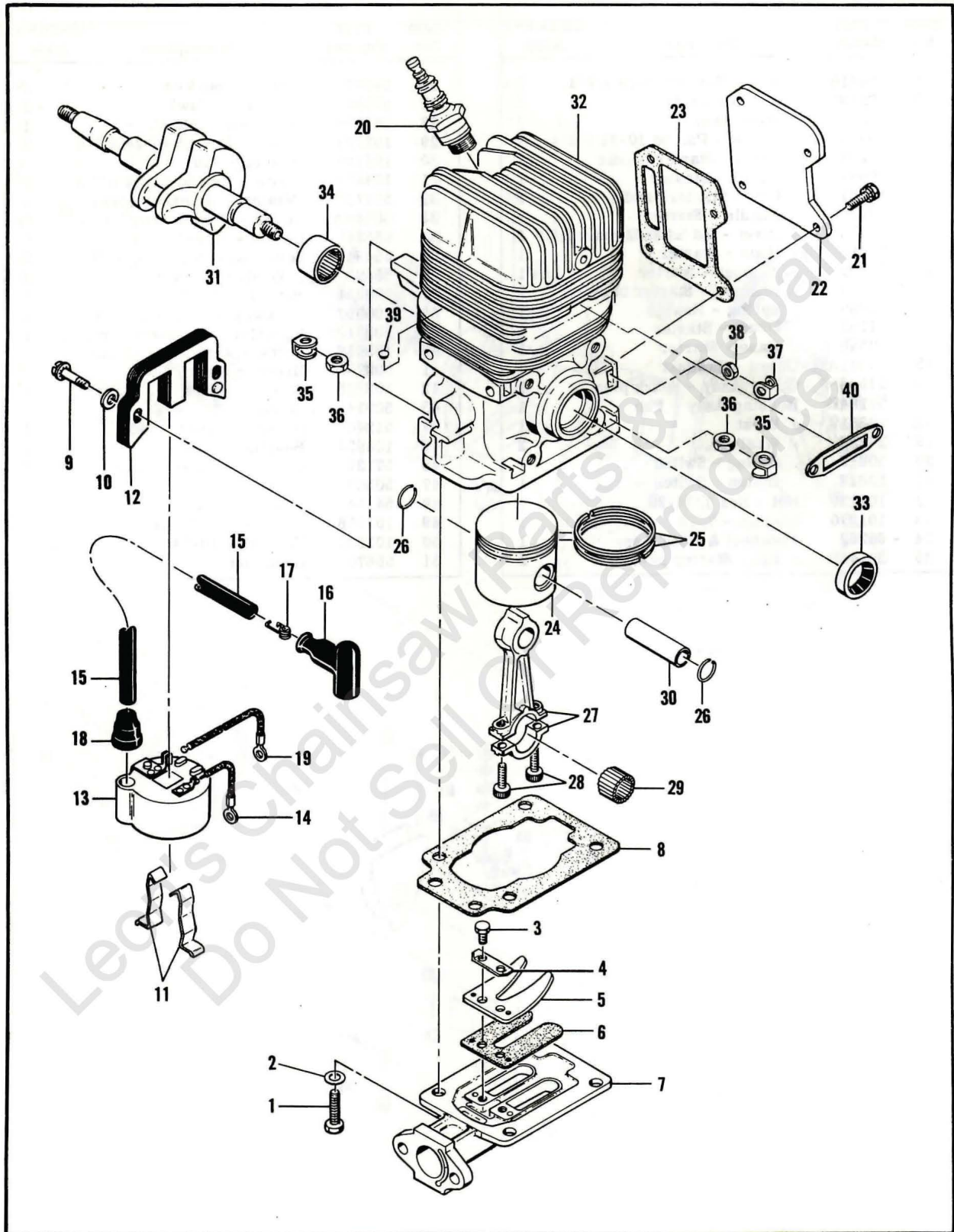


Figure 3. Powerhead

FIGURE 3. POWERHEAD

Item No.	Part Number	Description	Units Per Assy
1	102121	Screw - Hex 1/4-20 x 7/8	4
2	100005	Washer - 1/4	4
3	104476	Screw - Hex hd 8-32 x 5/16	2
4	51480	Lockplate	1
5	48591	Guard - Reed	1
6	48593	Valve - Reed	1
7	52802B	Adapter - Carburetor	1
8	65578	Gasket - Carburetor adapter	1
9	104815	Screw - 10-24 x 7/8 (SEMS)	2
10	100352	Washer - #10	2
11	51253	Retainer - Coil	2
12	51251	Lamination Assy	1
13	57643A	Kit - Coil & Terminal Assy	1
14	101883	. Wire Assy - Ground	1
15	57648	. Wire - Spark plug	1
16	55060	. Boot - Spark Plug	1
17	55061	. Connector	1
18	55617	. Nipple - Spark plug wire	1
19	57225	. Wire Assy - Primary	1
20		Plug - Spark 14 mm	1

Item No.	Part Number	Description	Units Per Assy
21	103814	Screw - 10-24 x 5/8 (SEMS)	4
22	8354	Cover - Transfer port	1
23	48605	Insulator - Reed plate	1
24	50206	Piston Assy - Standard	1
25	55123	. Ring Set - Standard piston	1
26	50133	. Ring - Retaining	2
27	47903	Connecting Rod Assy	1
28	60210A	. Screw - Socket hd 10-32 x 5/8	2
29	102742	. Roller - Needle	24
30	50207A	Pin - Piston	1
31	50659A	Crankshaft	1
32	52886A	Cylinder Crankcase Assy	1
33	104128	. Seal - Oil	1
34	104129	. Bearing - Needle	1
35	18556A	. Retainer - Nut	6
36	105394	. Nut - Hex 1/4-20	6
37	28053	. Retainer - Nut	2
38	101326	. Nut - Hex 10-24	2
39	110179	. Plug - Expansion	2
40	53652	Gasket - Exhaust	1

Leon's Chainsaw Parts
Do Not Sell Or Reproduce

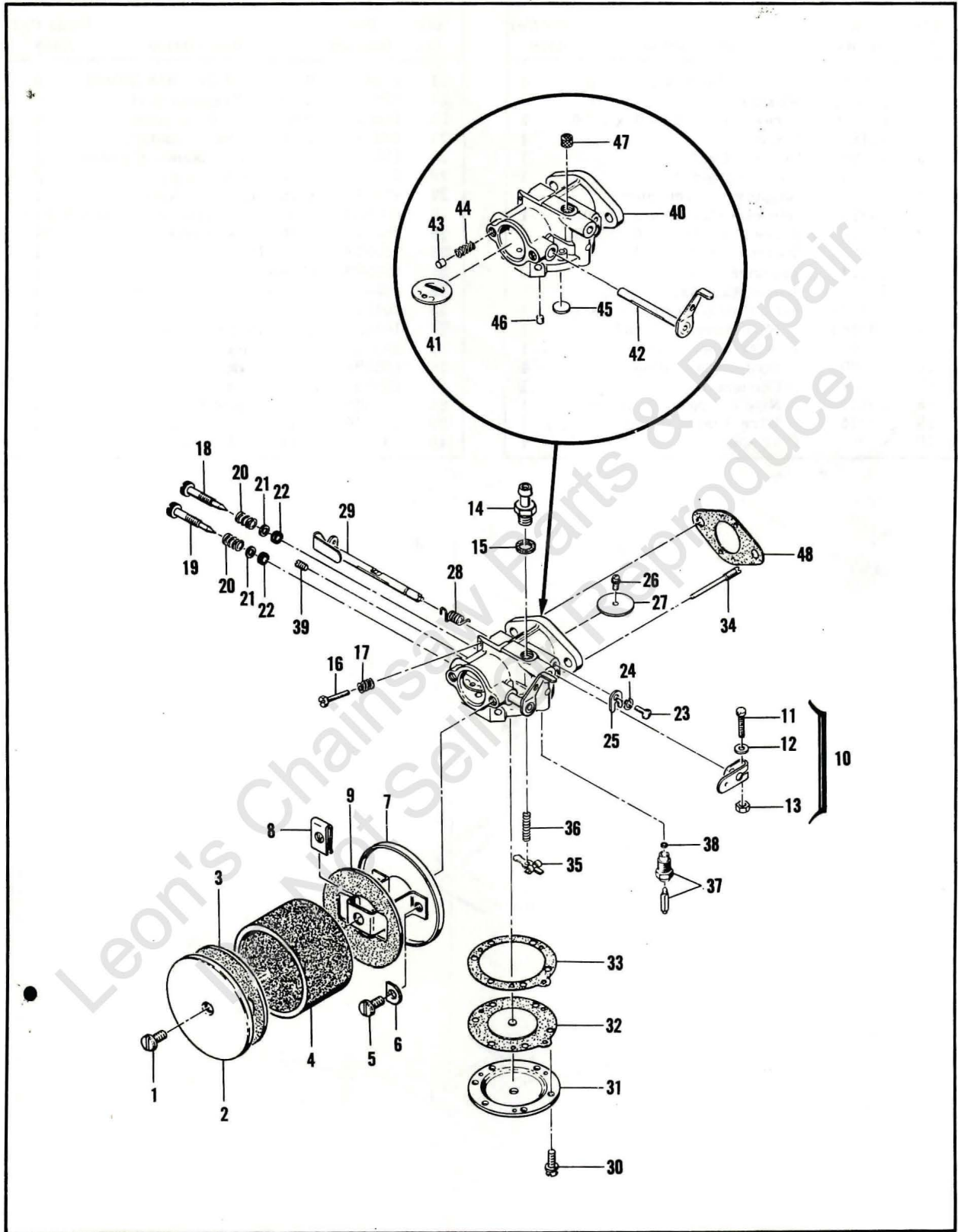


Figure 4. Carburetor and Air Filter

FIGURE 4. CARBURETOR AND AIR FILTER

Item No.	Part Number	Description	Units Per Assy
1	104393	Screw - Pan hd 10-24 x 3/8	1
2	63091	Cover Assy - Air cleaner	1
3	63090	. Gasket - Air cleaner cover	1
4	52961	Screen - Air cleaner	1
5	103705	Screw - Hex hd 10-32 x 3/8	2
6	36388	Lockplate	2
7	52881B	Plate Assy - Air cleaner	1
8	104171	. Nut - Speed	1
9	63090	. Gasket - Air cleaner	1
10	52889	Lever Assy - Clamp	1
11	105861	. Screw - Rd hd 6-32 x 5/8 (SEMS)	1
12	103693	. Washer - #6	1
13	100298	. Nut - Hex 6-32	1
	52807	Carburetor Assy	1
14	52939	. Connection - Inlet	1
15	52941	. Gasket - Inlet connection	1
16	*52940	. Screw - Idle speed	1
17	*51705	. Spring - Idle speed screw	1
18	*52935	. Needle - Idle adjusting	1
19	*52943	. Needle - Main adjusting	1
20	*52936	. Spring - Adjustment needle	2
21	52937	. Washer - Adjustment needle	2
22	52938	. "O" Ring	2
23	51717	. Screw - Throttle shaft clip	1
24	100252	. Lockwasher - Throttle shaft clip	1

Item No.	Part Number	Description	Units Per Assy
25	51716	. Clip - Throttle shaft	1
26	*51721	. Screw - Shutter	1
27	51720	. Shutter - Throttle	1
28	*52948	. Spring - Throttle shaft	1
29	52947	. Shaft Assy - Throttle	1
30	52933	. Screw - Diaphragm cover	6
31	52932	. Cover - Diaphragm	1
32	*66167	. Diaphragm Assy	1
33	65591	. Gasket - Diaphragm	1
34	*51710	. Pinion - Inlet control lever	1
35	*51709	. Lever - Inlet control	1
36	*51711	. Spring - Inlet control lever	1
37	*52942	. Needle & Seat Assy - Inlet	1
38	51708	. . Gasket	1
39	51589	. Screw - Diaphragm chamber drain	1
40	52927	. Body Assy - Carburetor	1
41	53813	. . Shutter - Choke	1
42	52931	. . Shaft Assy - Choke	1
43	52929	. . Pin - Friction	1
44	52930	. . Spring - Choke shaft friction	1
45	*51583	. . Plug - Welch	1
46	*52928	. . Plug - Cup	1
47	*52953	. . Screen - Inlet connection	1
48	65630	Gasket - Carburetor	1

*Included in Repair Parts Kit, P/N 52950

ACCESSORIES

Part Number	Description
66977	Bar
65120M	Chain
51445A	Combination Wrench-Screwdriver
- 68947	Owner's Manual
52958	Spike
50134	Piston Assy - 0.020 in. oversize

Part Number	Description
55125	. Ring Set - 0.020 in. oversize
36248	Wrench - Spark plug
- 63165	Spark Arrester
65712	Timing Guide
*52949	Gasket and Packing Set (carb.)
52950	Repair Parts Kit (carb.)



McCULLOCH



● MANUFACTURING ● SALES ● SERVICE ●

McCULLOCH CORPORATION

6101 WEST CENTURY BLVD., LOS ANGELES, CALIFORNIA 90045

INTERNATIONAL DIVISIONS:

LOS ANGELES, CALIF., P. O. BOX 45466

HONG KONG, B. C. C.: G. P. O. BOX 879

McCULLOCH OF CANADA LTD.

77 BELFIELD ROAD, REXDALE, ONTARIO, CANADA

McCULLOCH OF EUROPE, N. V.

ANTOON SPINOYSTRAAT 5, MECHELEN, BELGIUM

McCULLOCH OF AUSTRALIA PTY., LTD.

P. O. BOX 165, SOUTH GRANVILLE, N. S. W., AUSTRALIA

Leon's Chainsaw Parts & Repair
Do Not Sell or Reproduce