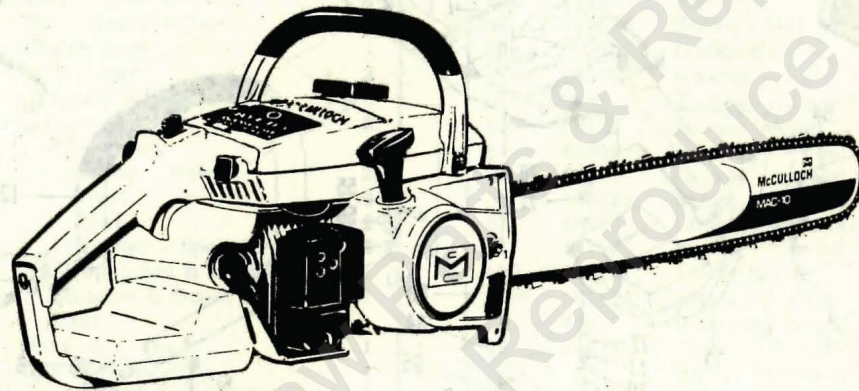


MAC 10-10E Chain Saw

MODEL 600012D, Serial Numbers Prefixed 10-

ILLUSTRATED PARTS LIST



September 1968

The policy of McCulloch Corporation is one of continual improvement in design, manufacturing and engineering advancement wherever possible to assure still finer two-cycle power tools. Hence, specifications, equipment, colors, design and manufacturer's suggested list prices are subject to change without notice and McCulloch Corporation reserves the right to make such changes without prior notification or obligation to backfit or supply backfit components for units previously shipped from the factory.

	Page
Figure 1. Engine Exploded View - General	2
Figure 2. Clutch Guard & Starter Assembly	4
Figure 3. Fuel Tank Assembly	4
Figure 4. Carburetor Assembly	6
Figure 5. Electrical Components	8
Figure 6. Powerhead Assembly	10

 **McCULLOCH**

MAC10-10E

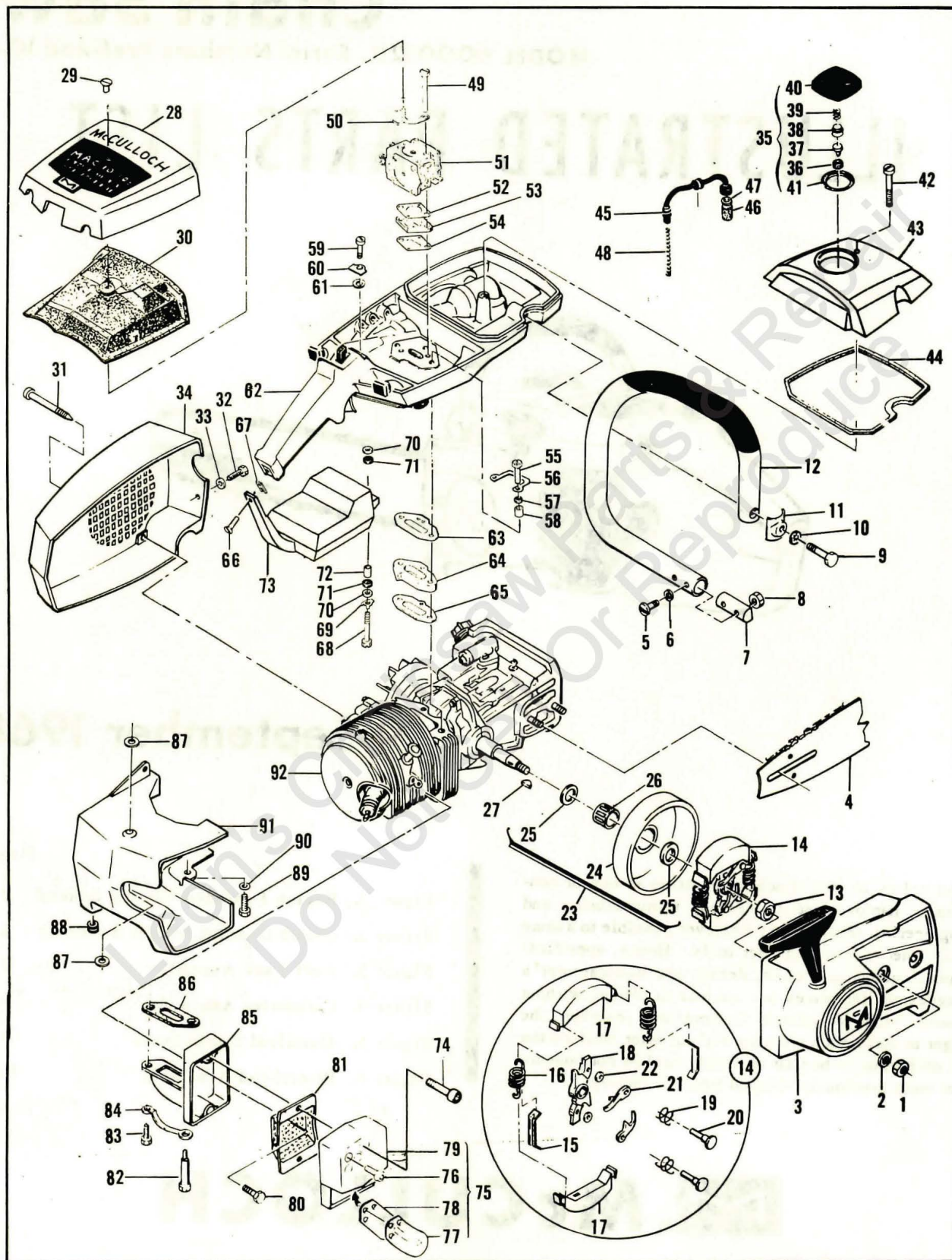


Figure 1. Engine Exploded View-General

FIGURE 1. ENGINE EXPLODED VIEW — GENERAL

Item No.	Part Number	Description	Units Per Assy
1	110454	Nut - Hex 5/16-24	2
2	100440	Washer - 5/16	2
3		Clutch Guard & Starter Assy (See Figure 2)	1
4		Bar & Chain (See Figure 6)	1
5	102761	Screw - Hex hd 10-24 x 7/8	2
6	100352	Washer - #10	2
7	61678	Plug - Nut retainer	1
8	101326	Nut - Hex 10-24	2
9	102130	Screw - Hex 1/4-20 x 1-1/2	1
10	100153	Lockwasher - 1/4	1
11	63484	Clamp - Frame	1
12	66315	Frame & Grip Assy	1
13	110594	Nut - Hex 3/8-24	1
14	68835	Clutch Assy	1
15	64583	. Retainer	2
16	66384	. Spring - Clutch	2
17	67233	. Shoe - Clutch	2
18	68842	. Rotor Assy	1
19	68837	. . Spring - Pawl	2
20	67112	. . Rivet	2
21	68836	. . Pawl	2
22	65473	. . Washer - Special	2
23	65370	Kit - Sprocket & Drum Assy	1
24	65368	. Sprocket & Drum Assy	1
25	61692	. Shim	2
26	110330	Bearing	1
27	103879	Key - Woodruff	1
28	68861	Cover Assy - Air cleaner	1
29	65813	. Nut	1
30	66774	Filter - Air	1
31	64626	Screw - Special	3
32	105348	Screw - 10-24 x 1/2 (SEMS)	1
33	110264	Washer - #10	1
34	67297	Housing - Fan	1
35	68531	Cap Assy - Fuel	1
36	68533	. Plug	1
37	63041	. Valve	1
38	62316	. Guide	1
39	63040	. Spring	1
40	68532	. Body	1
41	68653	. Gasket	1
42	110334	Screw - Oval hd 12-24 x 1-3/4	1
43	69684	Cover - Fuel tank	1
44	69345	Gasket - Cover	1
45	64848	Hose Assy - Fuel	1
46	63932	. Filter - Fuel	1

Item No.	Part Number	Description	Units Per Assy
47	100440	. Washer	1
48	67944	Spring - Hose stiffener	1
49	110551	Screw - Hex hd 10-24 x 2-1/8	2
50	68807	Bracket Assy	1
51		Carburetor Assy (See Figure 4)	1
52	68132	Gasket - Carburetor	1
53	66678	Spacer - Carburetor	1
54	68131	Gasket - Spacer	1
55	110553	Screw - Hex hd 10-24 x 1-3/8	2
56	68582	Lockplate	1
57	100003	Washer	2
58	66189	Sleeve	2
59	110516	Screw - Hex hd 10-24 x 1-1/8	1
60	69516	Lockplate	1
61	64856	Washer - #10	1
62		Fuel Tank Assy (See Figure 3)	1
63	68130	Gasket - Fuel tank	1
64	66659	Insulator - Fuel tank	1
65	68130	Gasket - Insulator	1
66	110223	Screw - Oval hd 10-24 x 5/8	1
67	66672	Cushion - Handle brace	1
68	102765	Screw - Hex hd 10-24 x 1-3/4	1
69	66673	Lockplate	1
70	105831	Washer - Steel	2
71	71017	Washer - Rubber	2
72	66674	Sleeve - Handle brace	1
73		Handle Brace & Battery Assy (See Figure 5)	1
74	110473	Screw - Skt hd 10-24 x 1-5/8	2
75	65532	Cover and Valve Assy	1
76	110472	. Screw - Skt hd 8-32 x 5/16	3
77	69077	. Stop - Reed valve	1
78	64785	. Valve - Reed	1
79	65419	. Cover Assy - Spark arrester	1
80	110341	Screw - Hex hd 10-24 x 1/2	1
81	62379B	Baffle	1
82	68187	Screw - Hex hd 10-24 x 1-3/8	1
83	110506	Screw - Hex hd 10-24 x 5/8	1
84	67922	Lockplate	1
85	68186	Body and Duct Assy	1
86	68149	Gasket - Spark arrester	1
87	68581	Insulator - Shroud	2
88	101230	Grommet	1
89	103469	Screw - Hex hd 10-24 x 3/8	1
90	100352	Washer	1
91	67377	Shroud	1
92		Powerhead Assy (See Figure 6)	1

MAC10-10E

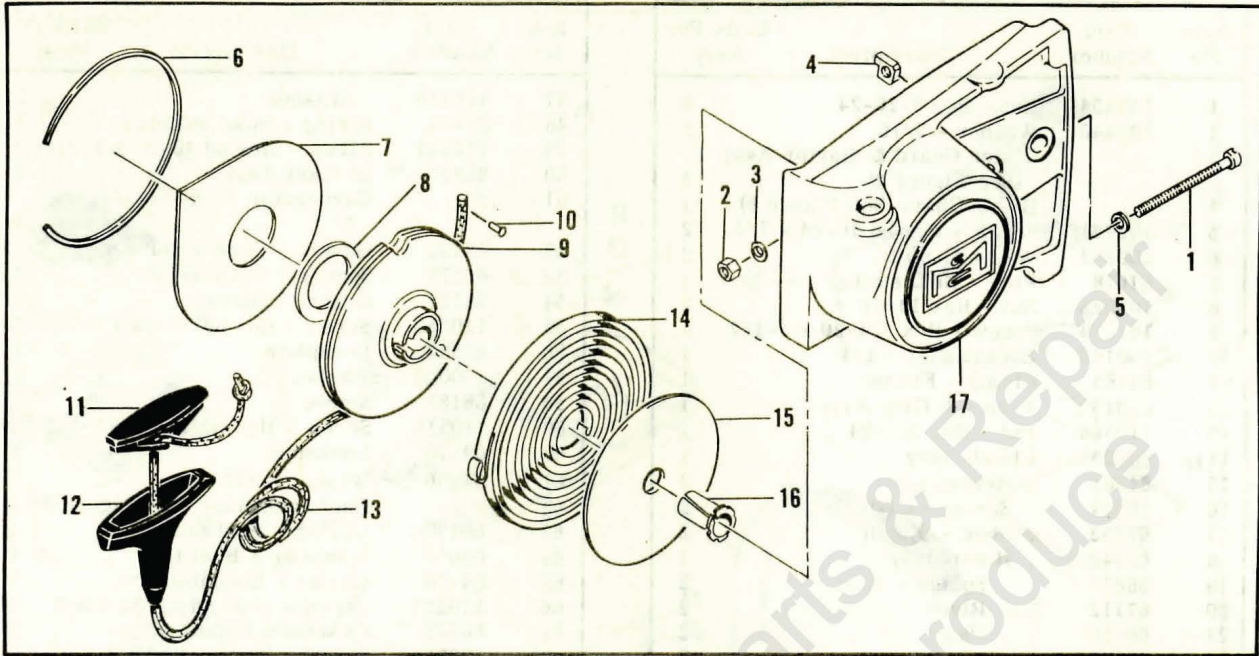


Figure 2. Clutch Guard and Starter Assembly

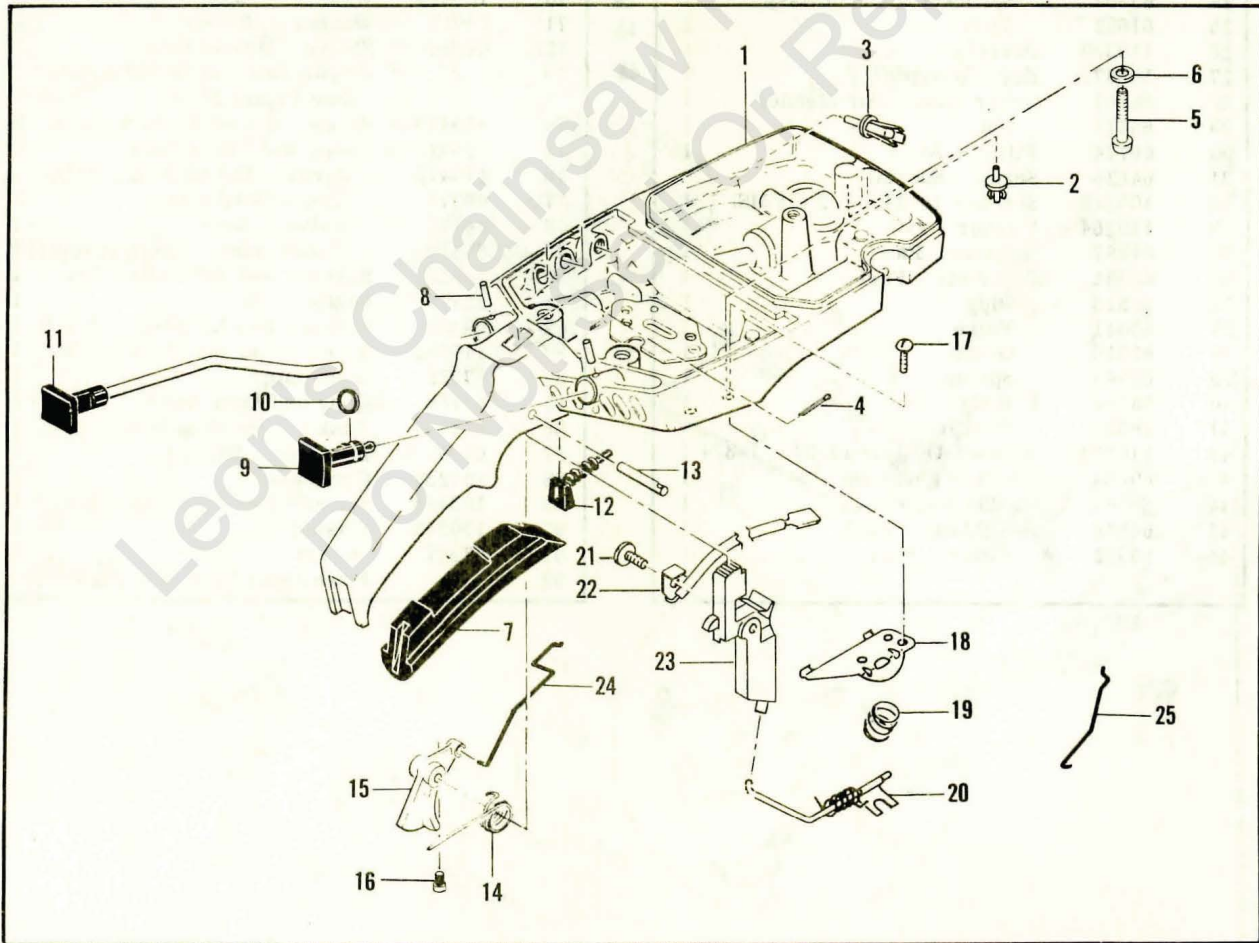


Figure 3. Fuel Tank Assembly

FIGURE 2. CLUTCH GUARD AND STARTER ASSEMBLY

Item No.	Part Number	Description	Units Per Assy
	67206	Clutch Guard Assy	1
1	102144	. Screw - Bar adjusting	1
2	102067	. Nut - Hex #10	1
3	110387	. Washer - Wave	1
4	61705	. Nut - Bar adjusting	1
5	101174	. Washer - #10	1
6	67205	. Retainer - Shield	1
7	63985	. Shield - Dust	1
8	63986	. Washer - Thrust	1

Item No.	Part Number	Description	Units Per Assy
9	68695	. Drum - Starter	1
10	110470	. Rivet - Starter rope	1
11	62191A	. Insert - Handle	1
12	62190A	. Handle - Starter	1
13	67125	. Rope - Starter	1
14	68626	. Spring - Rewind	1
15	63987	. Shield - Spring	1
16	61635A	. Bushing - Nyliner	1
17	67207	. Guard - Clutch	1

FIGURE 3. FUEL TANK ASSEMBLY

Item No.	Part Number	Description	Units Per Assy
1	68683	Fuel Tank Assy	1
2	105788	. Rivet	2
3	110531	. Rivet	3
4	100010	. Pin - Cotter	1
5	102660	. Screw - Skt hd 10-24 x 7/8	1
6	100003	. Washer - #10	1
7	64872	Grip - Handle	1
8	105673	Pin - Roll 3/32 x 9/16	2
9	68517	Button - Choke	1
10	101056	"O" Ring	1
11	64871	Button & Rod Assy	1
12	68522	Seal - Throttle rod	1
13	110378	Pin - Roll 3/16 x 15/16	1

Item No.	Part Number	Description	Units Per Assy
14	65734	Spring - Throttle return	1
15	67224	Trigger	1
16	110537	Screw - Trigger adjustment	1
17	105249	Screw - Rd hd 8-32 x 3/8	2
18	64721	Bracket - Lever Assy	1
19	69687	Spring - Valve	1
20	67220	Lever Assy - Compression release	1
21	110385	Screw - Pan hd 8-32 x 3/8	1
22	65873	Wire Assy - Stop switch	1
23	67210	Button - Control	1
24	68170	Rod - Throttle	1
25	67355	Rod - Choke	1

MAC10-10E

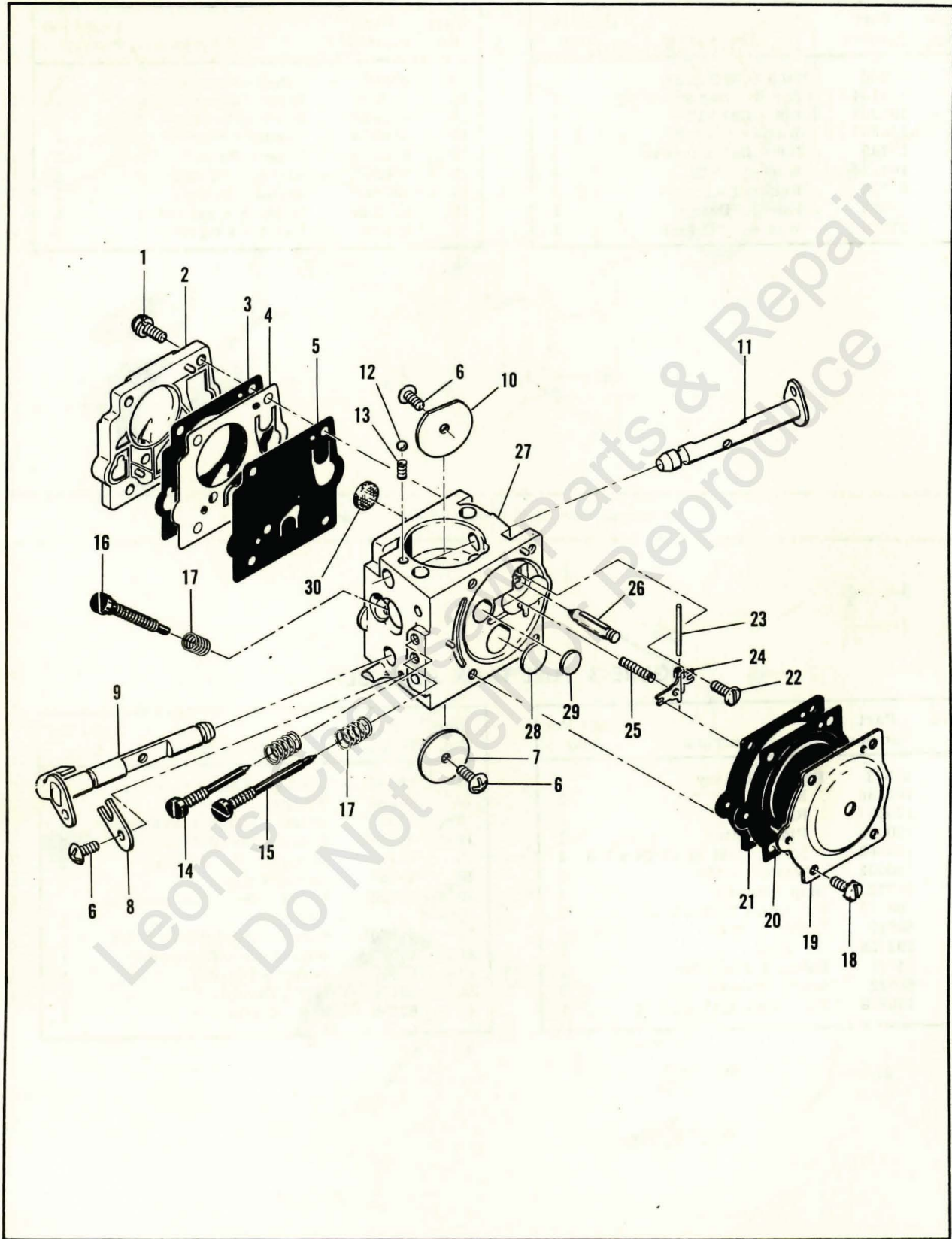


Figure 4. Carburetor Assembly

FIGURE 4. CARBURETOR ASSEMBLY

Item No.	Part Number	Description	Units Per Assy
	67876	Carburetor Assy	1
1	67501	. Screw - Pump cover	4
2	67484	. Cover - Pump	1
3	*67495	. Gasket - Cover	1
4	*67498	. Diaphragm - Check valve	1
5	*67497	. Diaphragm - Fuel pump	1
6	*47690	. Screw - Plate	3
7	67487	. Plate - Throttle	1
8	67489	. Clip - Shaft	1
9	67486	. Shaft Assy - Throttle	1
10	67490	. Plate - Choke	1
11	67488	. Shaft Assy - Choke	1
12	*100302	. Ball - Choke friction	1
13	*67504	. Spring - Choke	1
14	*68104	. Needle - High speed	1
15	*68105	. Needle - Idle	1
16	*68106	. Screw - Idle adjustment	1

Item No.	Part Number	Description	Units Per Assy
17	*67502	. Spring - Needle	3
18	70798	. Screw - Diaphragm cover	4
19	67485	. Cover - Diaphragm	1
20	*67499	. Diaphragm - Metering	1
21	*67496	. Gasket - Diaphragm	1
22	*67500	. Screw - Lever pin	1
23	*67508	. Pin - Lever	1
24	*67509	. Lever - Metering	1
25	*67503	. Spring - Lever	1
26	*67491	. Valve - Needle	1
27	68103	. Body Assy - Carburetor	1
28	*67492	. Plug - 3/8	1
29	*67493	. Plug - 5/16	1
30	*67507	. Screen - Fuel	1
	*67482	Gasket Set	
	68107	Repair Kit	

*Indicates parts included in Repair Kit, P/N 68107

Leon's Chainsaw Parts & Repairs
Do Not Sell Or Reproduce

MAC 10-10E

Wire continuity shown by letters.
Match A-A, B-B, etc.

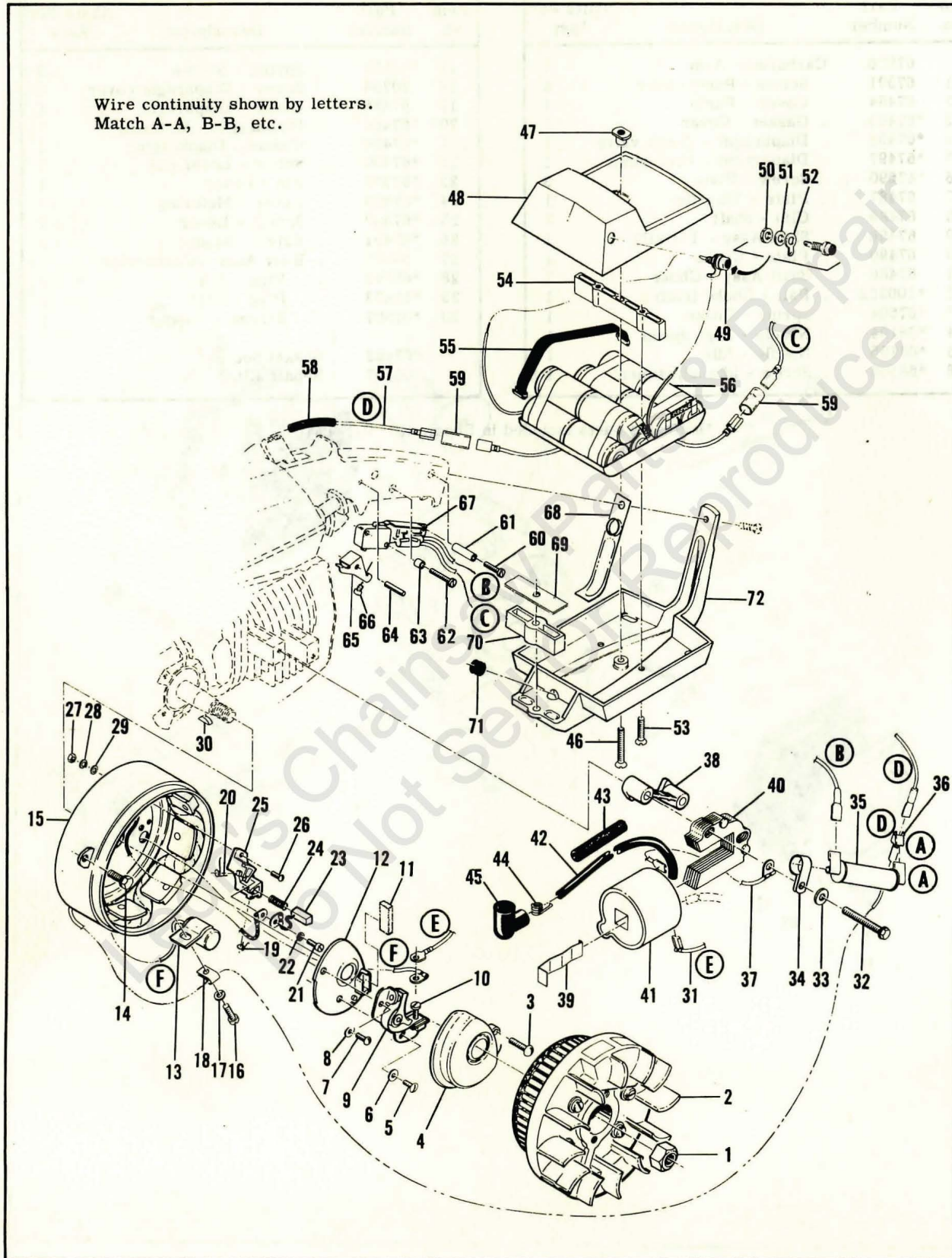


Figure 5. Electrical Components

FIGURE 5. ELECTRICAL COMPONENTS

Item No.	Part Number	Description	Units Per Assy
1	110594	Nut - Hex 3/8-24	1
2	65995	Armature & Flywheel Assy	1
3	110560	Screw - Rd hd 8-32 x 5/8	1
4	65415	Top - Breaker box	1
5	110559	Screw - Tr hd 8-32 x 1/2	1
6	105976	Washer - #8	1
7	100690	Screw - Rd hd 8-32 x 1/2	1
8	100080	Washer - #8	1
9	66231	Breaker Assy	1
10	110489	. Screw - Pan hd 6-32 x 7/16	1
11	54184	Wiper	1
12	65414	Base - Breaker points	1
13	64624	Condenser	1
14	110446	Screw - Hex hd 10-24 x 3/4	2
15	65996	Housing Assy - Field coil	1
16	66005	. Screw - Fil hd 8-32 x 5/16	1
17	105464	. Lockwasher - #8	1
18	66004	. Clamp	1
19	66777	. Spring - Brush clip	1
20	66776	. Spring - Brush clip	1
21	65997	. Screw - Fil hd 5-40 x 1/4	2
22	65998	. Lockwasher - #5	2
23	65999	. Brush	2
24	66003	. Spring - Brush	2
25	66778	. Kit - Brush holder	1
26	66007	. . Screw	2
27	66009	. . Nut	2
28	66008	. . Lockwasher	2
29	66162	. . Washer	2
30	103879	Key - Woodruff	1
31	64609	Wire Assy - Primary	1
32	110450	Screw - Hex hd 10-24 x 1-5/8	2
33	100003	Washer - #10	2
34	65517	Clamp - Mounting	2
35	65518	Resistor	1
36	110478	Terminal - Wire	1
37	62819	Wire Assy - Ground	1

Item No.	Part Number	Description	Units Per Assy
38	64653	Spacer - Coil	1
39	51253	Retainer - Coil	1
40	68164	Lamination Assy	1
41	64619	Coil & Terminal Assy	1
42	67400	. Wire Assy - Spark plug	1
43	67127	. . Sleeve - Wire Assy	1
44	62932	. . Connector	1
45	62926	. . Boot - Spark plug	1
46	110480	Screw - Fl hd 8-32 x 1-3/8	1
47	65319	Insert - Cover	1
48	65470	Cover - Battery box	1
49	65567	Phono Jack	1
50	65876	. Nut	1
51	65875	. Washer	1
52	65877	. Terminal	1
53	100403	Screw - Fl hd 8-32 x 1	2
54	66234	Spacer - Battery	1
55	65501	Strap Assy - Battery	2
56	66161	Battery Assy	1
57	65541	Wire Assy - Battery to resistor	1
58	80975	Sleeve - Wire Assy	1
59	65306	Sleeve - Wire terminal	2
60	110462	Screw - Pan hd 4-40 x 11/16	1
61	64874	Spacer - Long	1
62	110463	Screw - Pan hd 4-40 x 13/16	2
63	64873	Spacer - Short	2
64	110451	Pin - Roll	1
65	64681	Actuator	1
66	110477	Screw - Actuator pan hd 6-32 x 3/16	1
67	68145	Switch - Regulator Assy	1
68	64727	Strip - Handle brace	1
69	65512	Insulator - Shroud	1
70	66206	Spacer - Handle	1
71	101230	Grommet - Handle brace	1
72	66671	Brace - Handle	1

Leon's Do Not Sell Or Reproduce

FIGURE 7 ELECTRICAL COMPONENTS

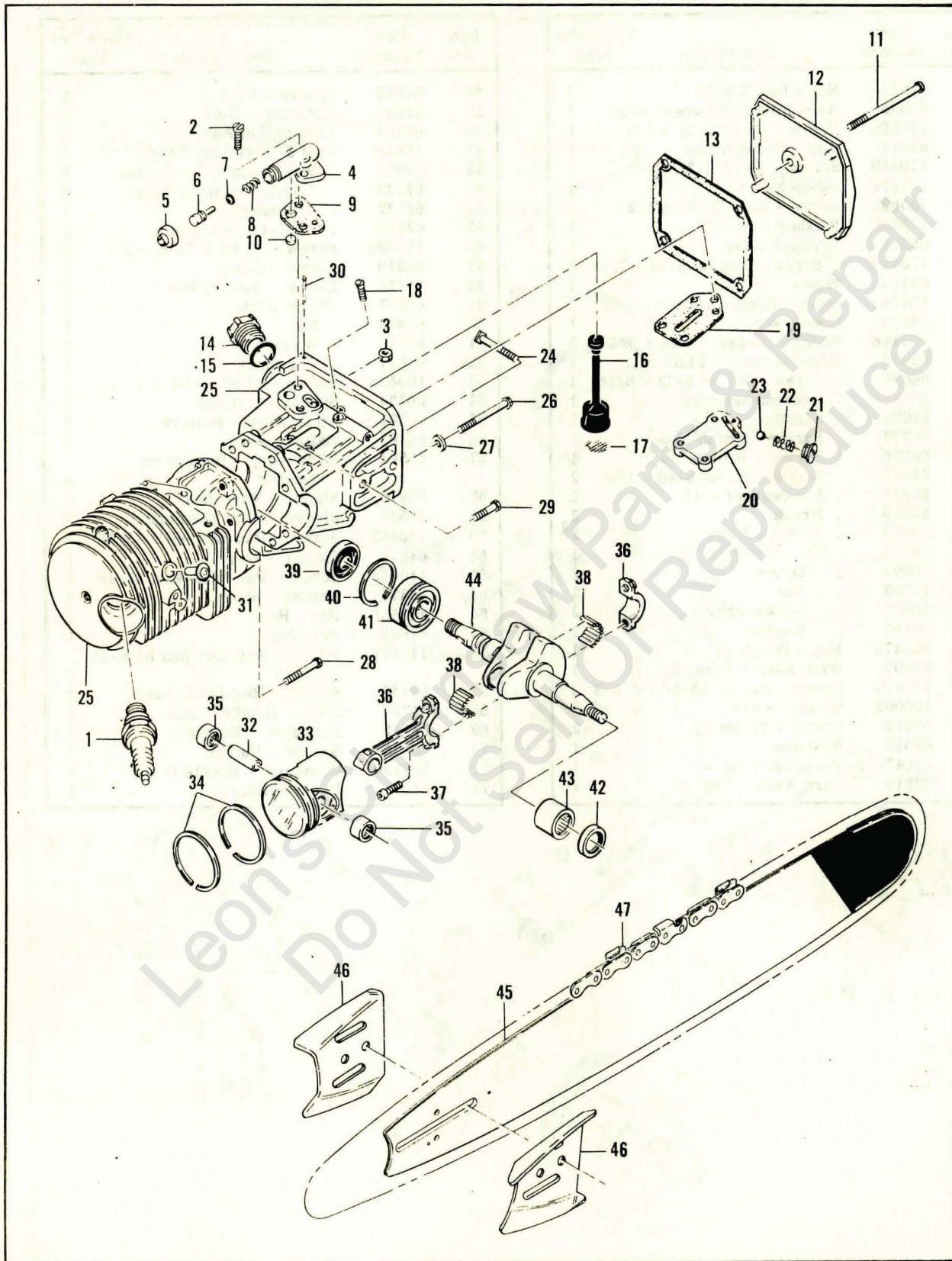


Figure 6. Powerhead Assembly

FIGURE 6. POWERHEAD ASSEMBLY

Item No.	Part Number	Description	Units Per Assy
1	63097	Spark Plug - AC CS45T	1
2	100414	Screw - Fil hd 8-32 x 1/2	2
3	100955	Nut - Hex 8-32	1
4	62261A	Housing - Pump	1
5	62262	Cap - Housing	1
6	62266	Plunger - Pump	1
7	101056	"O" Ring - Plunger	1
8	66687	Spring - Plunger	1
9	62230	Gasket - Pump	1
10	62909	Valve - Pump	1
11	110291	Screw - Pan hd 10-24 x 2-3/4	1
12	63072	Cover - Oil tank	1
13	62116	Gasket - Cover	1
14	57129A	Cap - Oil nk	1
15	101148	"O" Ring - Cap	1
16	62123B	Hose Assy - Oil	1
17	51506	Screen - Hose	1
18	110333	Screw - Oval hd 8-32 x 1/2	3
19	62274	Gasket	1
20	68711	Body Assy - Check valve	1
21	68714	. Screw - 1/4-20	1
22	63034	. Spring - Check valve	1
23	100071	. Ball - 5/32 dia.	1
24	62065	Bolt - Bar	2

Item No.	Part Number	Description	Units Per Assy
25	67216	Crankcase Assy	1
26	62105	. Screw Assy - Sealing	4
27	62842	. . Washer - Sealing	4
28	110289	. Screw Assy - 8-32 x 1-1/8	1
29	110288	. Screw Assy - 8-32 x 3/4	3
30	100010	. Pin - Cotter	1
31	64755	. Valve - Compression release	1
32	61649	Pin - Piston	1
33	68226	Piston Assy	1
34	62814	. Ring Set - Piston	1
35	103512	. Bearing	2
36	65401	Connecting Rod Assy	1
37	61627A	. Screw - Skt hd 8-36 x 1/2	2
38	63225	. Roller - Needle (set of 20)	1
39	65746	Oil Seal	1
40	63464	Ring - Snap	1
41	63429B	Bearing - Ball	1
42	65747	Oil Seal	1
43	104357	Bearing - Needle	1
44	63336	Crankshaft	1
45	63541	Bar	1
46	64325	Plate - Bar Protector	2
47	62556M	Chain Assy	1

ACCESSORIES

Part Number	Description
68965	Manual - Owner's
63084	Manual - Shop
62827	Wrench
63341A	Kit - Spike
66316	Kit - Wrap-around frame
63746	Kit - Wrench
65325	Baffle - Spark arrester
64330	Plate Set - Bar protector (2)
67098	Charger Assy - Battery
63432	Spark Plug - AC CS42T

Part Number	Description
65778	Spark Plug - AC CS41T
68224	Piston Assy 0.020 in. oversize
62813	. Ring Set - Piston 0.020 in. oversize
103512	. Bearing - Needle (2)
68225	Piston Assy - 0.030 in. oversize
62812	. Ring Set - Piston 0.030 in. oversize
103512	. Bearing - Needle (2)



● MANUFACTURING ● SALES ● SERVICE ●

McCULLOCH CORPORATION

6101 WEST CENTURY BLVD., LOS ANGELES, CALIFORNIA 90045

INTERNATIONAL DIVISIONS:

LOS ANGELES, CALIF., P. O. BOX 45466

HONG KONG, B. C. C.: G. P. O. BOX 879

McCULLOCH OF CANADA LTD.

77 BELFIELD ROAD, REXDALE, ONTARIO, CANADA

McCULLOCH OF EUROPE, N. V.

ANTOON SPINOYSTRAAT 5, MECHELEN, BELGIUM

McCULLOCH OF AUSTRALIA PTY., LTD.

P. O. BOX 165, SOUTH GRANVILLE, N. S. W., AUSTRALIA

Leon's Chair Mats & Repair
Do Not Sell or Reproduce