

MAC 10-10 ENGINE

MODEL NO. 400262D SERIAL NUMBERS PREFIXED 10-

ILLUSTRATED PARTS LIST

MAY 1973

The policy of McCulloch Corporation is one of continual improvement in design, manufacturing and engineering advancement wherever possible to assure still finer two-cycle power tools. Hence, specifications, equipment, colors, design and manufacturer's suggested list prices are subject to change without notice and McCulloch Corporation reserves the right to make such changes without prior notification or obligation to backfit or supply backfit components for units previously shipped from the factory.

	Page
Figure 1. General	2
Figure 2. Fan Housing & Starter Assemblies	4
Figure 3. Fuel Tank Assembly....	4
Figure 4. Powerhead Assembly...	6
Figure 5. Carburetor Assembly ...	8



McCULLOCH

COPYRIGHT 1973 U.S.A.
McCULLOCH CORPORATION

89665

MAC 10-10 ENGINE

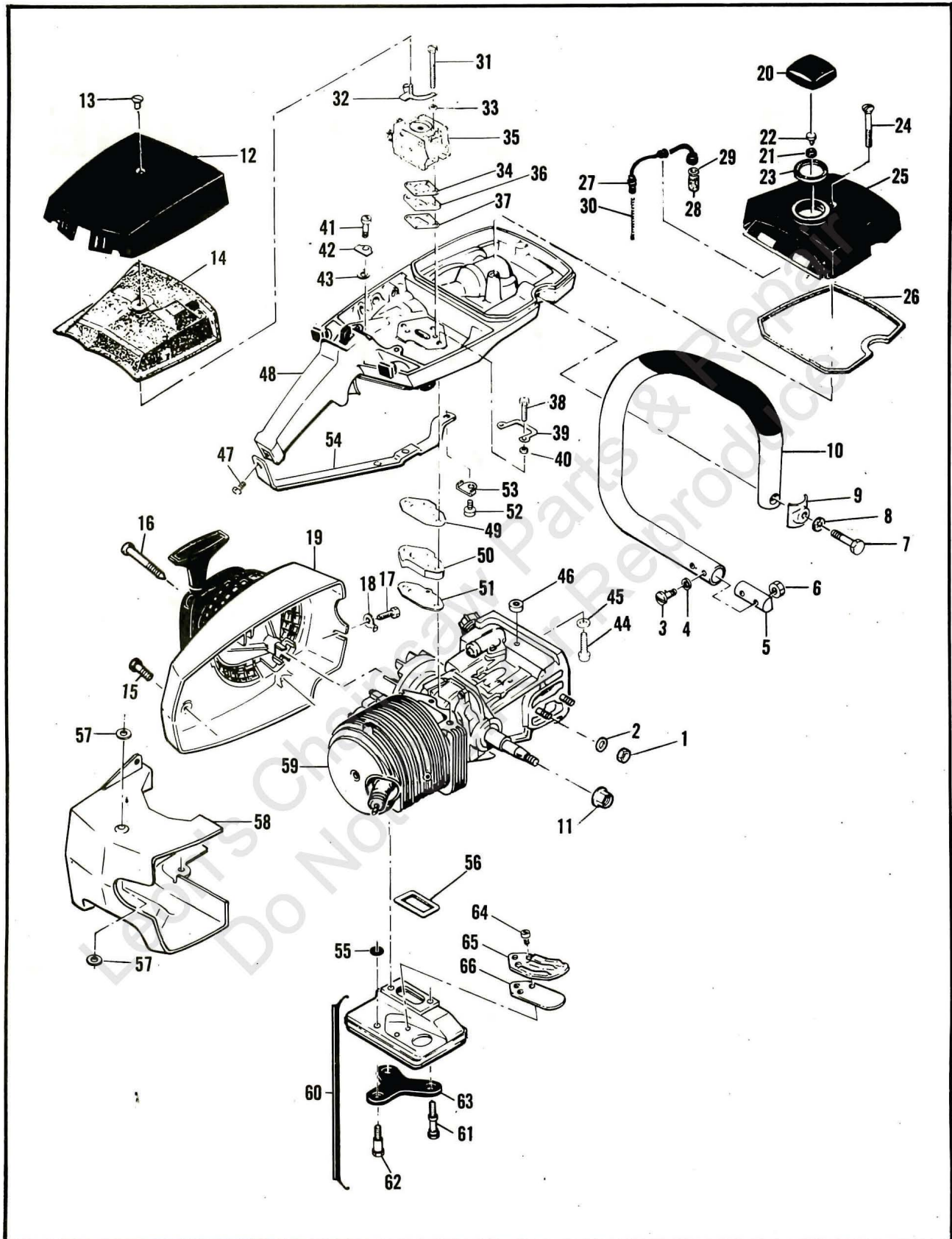


Figure 1. General

MAC 10-10 ENGINE

FIGURE 1. GENERAL

Item No.	Part Number	Description	Units Per Assy
1	110454	Nut - Hex 5/16-24	2
2	100440	Washer - 5/16	2
3	110865	Screw - Hex hd 10-24 x 7/8	2
4	100352	Washer #10	2
5	61678	Plug - Nut retainer	1
6	101326	Nut - Hex 10-24	2
7	102130	Screw - Hex hd 1/4-20 x 1-1/2	1
8	100153	Lockwasher - 1/4	1
9	63484	Clamp - Frame	1
10	87686	Frame & Grip Assy	1
11	86113	Nut - Hex 3/8-24 (L.H.)	1
12	69033	Cover Assy - Air cleaner	1
13	65813	. Nut - Cover	1
14	66774	Filter - Air	1
15	110741	Screw - Pan hd 10-24 x 1/2	1
16	87871	Screw - Special	3
17	102762	Screw - Hex hd 10-24 x 1/2	1
18		Fan Housing & Starter Assy (See Figure 2)	1
19	69890	Lockplate	1
20	89322	Cap Assy - Fuel	1
21	86453	. Plug	1
22	53766A	. Valve	1
23	69767	. Gasket	1
24	110334	Screw - Oval hd 12-24 x 1-3/4	1
25	69684	Cover - Fuel tank	1
26	69345	Gasket - Cover	1
27	64848	Hose Assy - Fuel	1
28	63932	. Filter - Fuel	1
29	100440	. Washer	1
30	67944	Spring - Hose	1
31	103357	Screw - Hex hd 10-24x2 x 2-1/4	2
32	68807	Bracket Assy	1
33	24236	Washer - Special	2
34	86189	Gasket - Carburetor	1

Item No.	Part Number	Description	Units Per Assy
35		Carburetor Assy (See Figure 4)	
36	84078	Spacer - Carburetor	1
37	84081	Gasket - Spacer	1
38	110570	Screw - Hex hd 12-24 x 1-3/8	2
39	68582	Lockplate	1
40	102115	Washer - #12	2
41	110568	Screw - Hex hd 12-24 x 1-1/8	1
42	69516	Lockplate	1
43	64856	Washer - Special	1
44	102660	Screw - Skt hd 10-24 x 7/8	1
45	100003	Washer - #10	1
46	69772	Spacer - Fuel tank	1
47	106078	Screw - Pan hd 10-24 x 7/16	1
48		Fuel Tank Assy (See Figure 3)	1
49	84082	Gasket - Fuel tank	1
50	84079	Insulator - Fuel tank	1
51	84082	Gasket - Insulator	1
52	110566	Screw - Hex hd 12-24 x 5/8	1
53	68508	Lockplate	1
54	89735	Brace - Handle	1
55	63993	Gasket - Muffler screw	1
56	84007	Gasket - Muffler	1
57	68581	Insulator - Shroud	2
58	85731	Shroud	1
59		Powerhead (See Figure 5)	1
60	68863	Kit - Muffler	1
61	67838	. Screw - Muffler long	1
62	67837	. Screw - Muffler short	1
63	83993	. Lockplate	1
64	110563	. Screw - Skt hd 8-32 x 1/4	2
65	84780	. Stop - Reed	1
66	84779	. Reed	1

ACCESSORIES

69210 Piston Assy - 0.020 in. oversize
62813 . Ring Set - 0.020 in. oversize
69211 Piston Assy - 0.030 in. oversize
62812 . Ring Set - 0.030 in. oversize
86419 Timing Guide
69191 Kit - Pressure Test Adaptor
84453 Kit - Piston tool

85726 Owner's Manual
63432 Spark Plug - AC CS 42T
65778 Spark Plug - AC CS 41T
65409 Spark Plug - Ch CJ6
65551 Spark Plug - Ch CJ4
63746 Srench

MAC 10-10 ENGINE

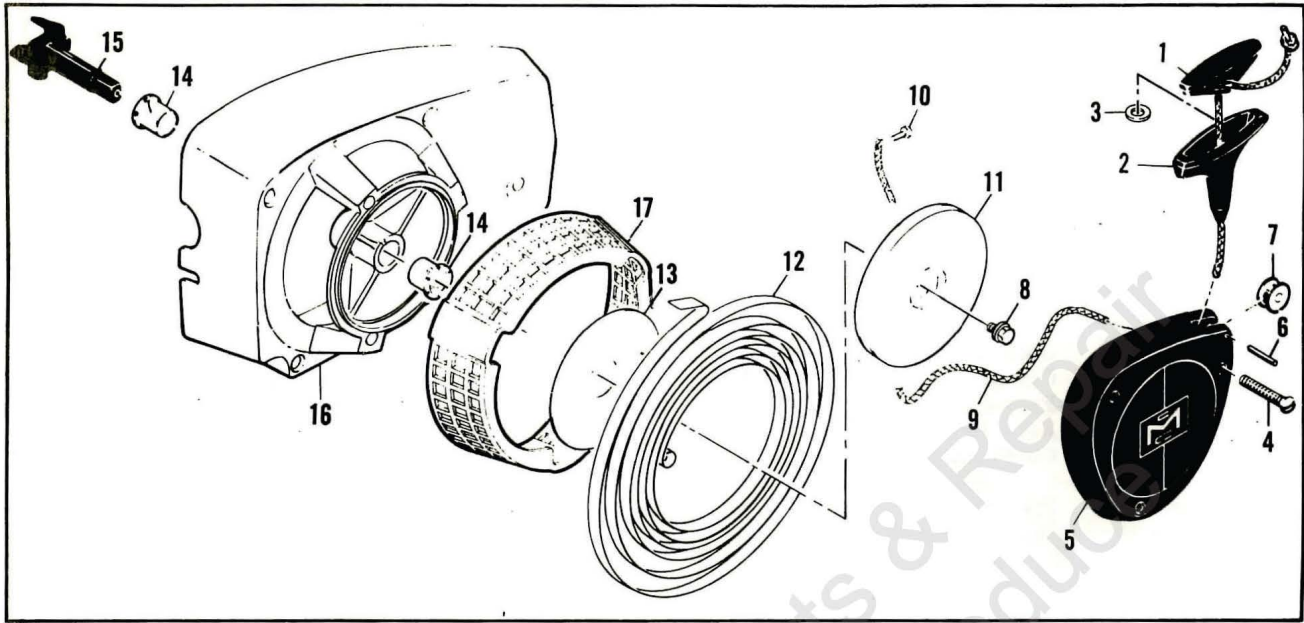


Figure 2. Fan Housing & Starter Assemblies

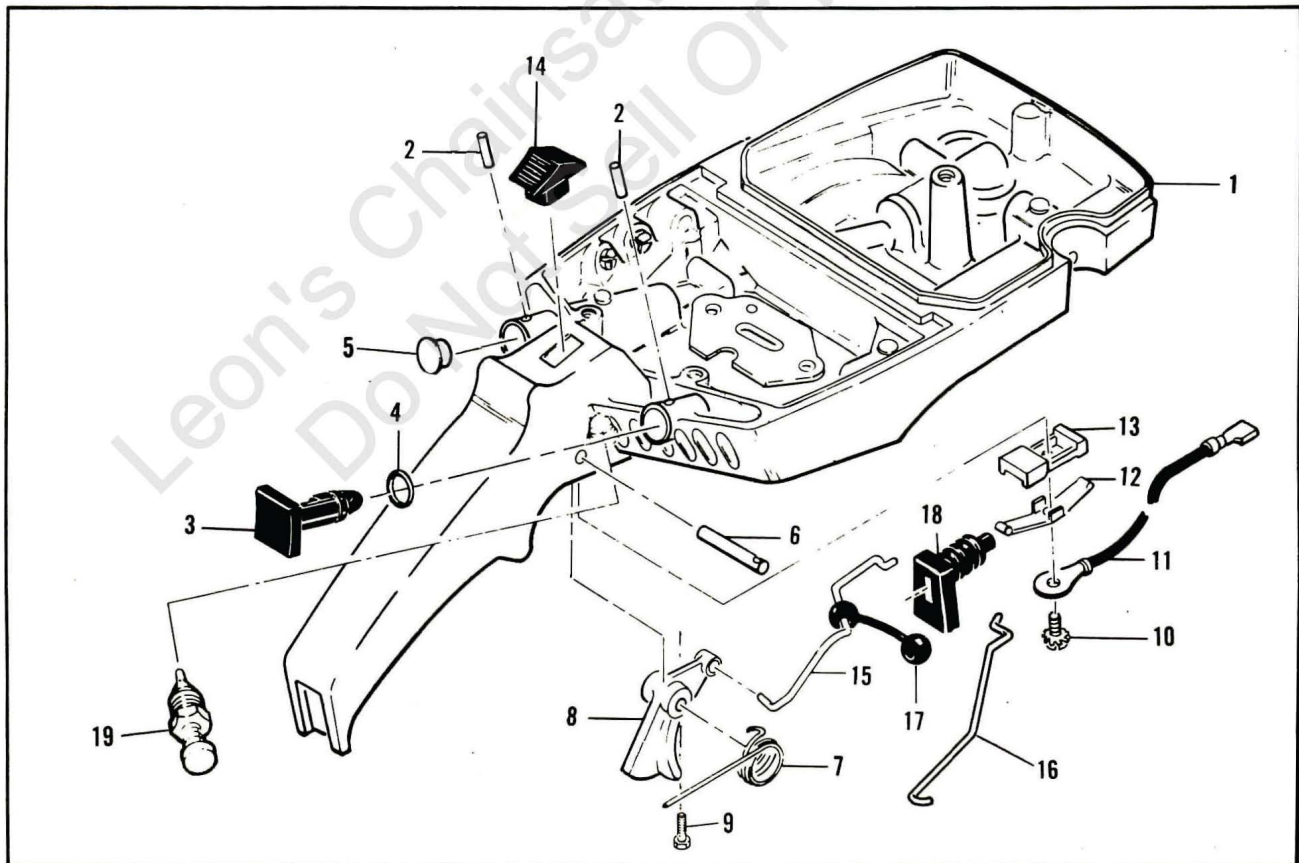


Figure 3. Fuel Tank Assembly

FIGURE 2. FAN HOUSING & STARTER ASSEMBLIES

Item No.	Number	Description	Units Per Assy
1	62191A	Insert - Handle	1
2	87851	Handle - Starter	1
3	105490	Washer - 3/16	1
4	110646	Screw - Oval hd 8-32 x 1-1/8	3
5	87672	Cover Assy - Starter	1
6	110657	Pin - Roll	1
7	84051	Pulley - Rope	1
8	110341	Screw - Hex hd 10-24 x 1/2	1

Item No.	Description	Units Per Assy
9	87675 Rope Assy - Starter	1
10	110470 Rivet - Rope	1
11	87698 Drum - Starter	1
12	87680 Spring - Rewind	1
13	86053 Shield - Spring	1
14	57535 Bushing - Shaft	2
15	83748 Shaft - Starter	1
16	87693 Kit - Fan housing	1
17	87674 Guard - Flywheel	1

FIGURE 3. FUEL TANK ASSEMBLY

Item No.	Part Number	Description	Units Per Assy
1	84183	Fuel Tank Assy	1
2	105673	Pin - Roll	2
3	69041	Button - Choke	1
4	101056	"O" Ring	1
5	110893	Plug - Cup	1
6	110378	Pin - Roll	1
7	87178	Spring - Throttle	1
8	89721	Trigger	1
9	110668	Screw - Fil hd 8-36 x 5/8	1

Item No.	Part Number	Description	Units Per Assy
10	103672	Screw - Fil hd 8-32 x 1/2	1
11	62973A	Wire Assy - Stop switch	1
12	62451	Contact - Switch	1
13	62950A	Base - Switch	1
14	68846	Button - Switch	1
15	85107	Rod - Throttle	1
16	69042	Rod - Choke	1
17	69043	Snubber - Control rod	1
18	68522	Seal - Throttle rod	1
19	89723	Throttle Latch Assy	1

MAC 10-10 ENGINE

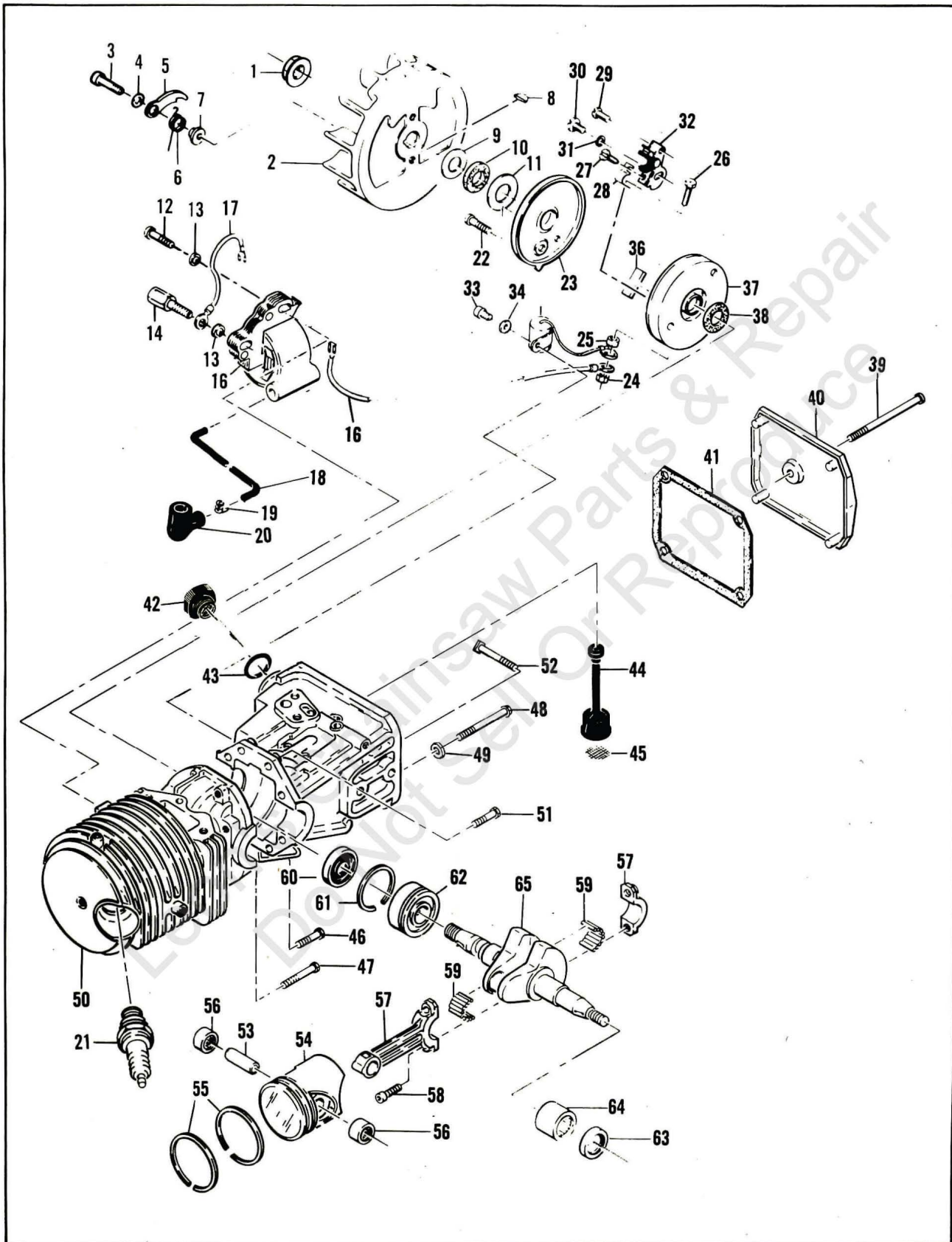


Figure 5. Powerhead Assembly

MAC 10-10 ENGINE

FIGURE 5. POWERHEAD ASSEMBLY

Item No.	Part Number	Description	Units Per Assy
1	110703	Nut - Hex 3/8-24	1
2	86068	Flywheel	1
3	102660	Screw - Skt hd 10-24 x 7/8	2
4	83241	Washer - Special	2
5	67546	Pawl - Starter	2
6	67545	Spring - Pawl	2
7	67547	Pivot - Pawl	2
8	103879	Key - Woodruff	1
9	67057	Washer - Thrust	1
10	67056	Seal - Breaker box cover	1
11	67054	Washer - Thrust	1
12	110127	Screw - Hex hd 10-24 x 7/8 (SEMS)	1
13	100002	Washer - #10	2
14	83512	Stud - Special	1
15	84686	Wire Assy - Ground	1
16	69344	Wire Assy - Primary	1
17	87246	Coil & Lamination Assy	1
18	50120	. Wire Assy - Spark plug	1
19	55061	. Connector	1
20	85758	. Boot	1
21	63097	Spark Plug - AC CS 45T	1
22	110584	Screw - Rd hd 8-32 x 3/4	1
23	62362	Cover - Breaker box	1
24	100298	Nut - Hex 6-32	1
25	62365	Spacer - Breaker	1
26	110346	Screw - Hex hd 6-32 x 3/4	1
27	110706	Screw - Pan hd 8-18 x 1/2	1
28	83126	Strap - Conduction	1
29	110811	Screw - Pan hd 8-32 x 3/8	1
30	110445	Screw - Truss hd 8-32 x 3/8	1
31	105976	Washer - #8	1
32	66231	Breaker Assy	1
33	103672	Screw - Fil hd 8-32 x 1/2 (SEMS)	1
34	100008	Washer - #8	1

Item No.	Part Number	Description	Units Per Assy
35	85358	Condenser	1
36	54184	Wiper - Cam	1
37	84329	Box - Breaker	1
38	67051	Seal - Breaker box	1
39	110291	Screw - Pan hd 10-24 x 2-5/8	1
40	86304	Cover - Oil tank	1
41	86306	Gasket - Cover	1
42	87270	Cap - Oil tank	1
43	101148	"O" Ring	1
44	62123B	Hose Assy - Oil	1
45	51506	. Screen	1
46	110288	Screw Assy - Hex 8-32 x 3/4	1
47	110618	Screw Assy - Hex 8-32 x 1-3/8	1
48	62105	Screw Assy - Sealing	4
49	62842	. Washer - Sealing	4
50	89890	Crankcase Assy	1
51	110288	. Screw Assy - Hex 8-32 x 3/4	2
52	62065	. Bolt - Bar mounting	2
53	61649	Pin - Piston	1
54	69212	Piston Assy	1
55	62814	. Ring Set - Piston	1
56	103085	. Bearing - Needle	2
57	65401	Connecting Rod Assy	1
58	61627A	. Screw - Skt hd special	2
59	63225	. Roller - Needle (set of 20)	1
60	67906	Seal - Oil	1
61	63464	Ring - Snap	1
62	67905	Bearing - Ball	1
63	110260	Seal - Oil	1
64	104357	Bearing - Needle	1
65	87728	Crankshaft	1

SERVICE SPECIFICATIONS

Spark Plug Gap	-----	0.025 in.
Lamination Gap	-----	0.010 to 0.015 in.
Breaker Point Gap	-----	0.018 in.
Carburetor Adjustment		
Idle Needle	- Preliminary adjustment 1 turn open.	
	Adjust for smooth idle and acceleration.	
Main Needle	- Preliminary adjustment 1 turn open.	
	Adjust for maximum power under load.	
Torque Values		
Flywheel Nut	-----	240 to 300 inch-pounds
Connecting Rod Screws	-----	65 to 70 inch-pounds

MAC 10-10 ENGINE

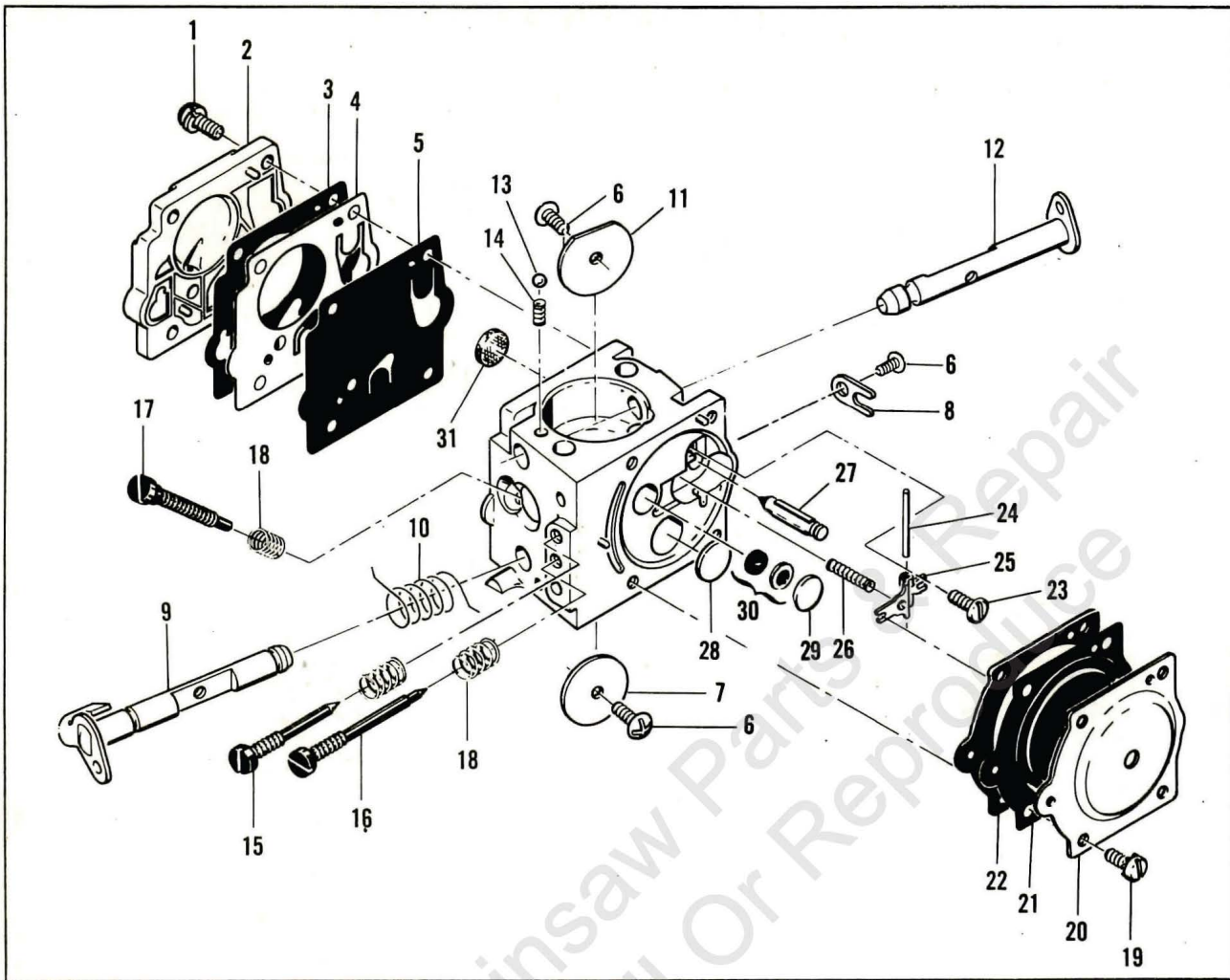


FIGURE 4. CARBURETOR ASSEMBLY

Item No.	Part Number	Description	Units Per Assy
	85720	Carburetor Assy	1
1	67501	Screw - Pump cover	4
2	83760	Cover - Pump	1
3	*67495	Gasket - Cover	1
4	*67498	Diaphragm - Check valve	1
5	*83114	Diaphragm - Fuel pump	1
6	*47690	Screw - Plate	3
7	83762	Plate - Throttle	1
8	67489	Clip - Shaft	1
9	67486	Shaft Assy - Throttle	1
10	*85981	Spring - Throttle shaft	1
11	67490	Plate - Choke	1
12	67488	Shaft Assy - Choke	1
13	*100302	Ball - Choke friction	1
14	*67504	Spring - Choke friction	1
15	*68104	Needle - High speed	1
16	*68105	Needle - Idle	1
17	68106	Screw - Idle speed	1

Item No.	Part Number	Description	Units Per Assy
18	*67502	Spring - Needle	3
19	70798	Screw - Diaphragm cover	4
20	83761	Cover - Diaphragm	1
21	*67499	Diaphragm - Metering	1
22	*67496	Gasket - Diaphragm	1
23	*67500	Screw - Lever pin	1
24	*67508	Pin - Lever	1
25	*67509	Lever - Metering	1
26	*67503	Spring - Lever	1
27	*67491	Valve - Needle	1
28	*71690	Plug - 3/8	1
29	*69506	Plug - 5/16	1
30	83758	Kit - Valve & Seat Assy	1
31	*67507	Screen - Fuel	1
	*67482	Gasket Set	
	83764	Repair Kit	

*Indicates parts included in Repair Kit. P/N 83764