

Models	Serial Number Prefix
600410A	12-
600410B	14-
600410D	14-, 15-
600410E	15-

G-70 CHAIN SAW

ILLUSTRATED PARTS LIST

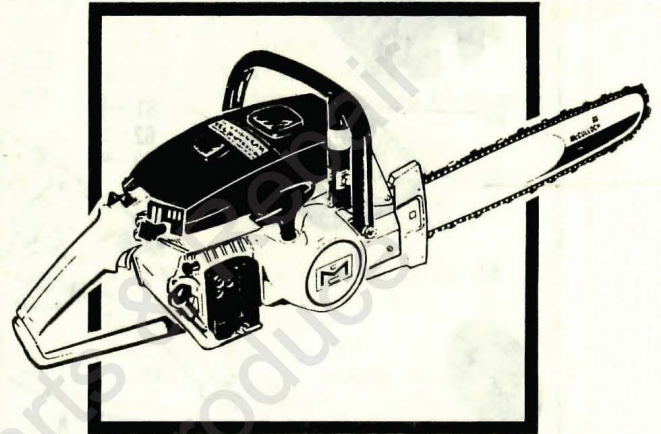
G-70 chain saws are identified by a model number (600410) followed by a suffix letter (A, B, D, etc.) stamped on the identification plate attached to the saw. Suffix letters denote variations in parts or assemblies in manufacture of the saw.

Part numbers listed in this I. P. L. and followed by a suffix letter, indicate the part is used on the model identified by that letter.

Part numbers listed without suffix letter or letters apply to all models of the G-70 saw.

The policy of McCulloch Corporation is one of continual improvement in design, manufacturing and engineering advancements wherever possible to assure still finer two-cycle power tools. Hence, specifications, equipment, colors, design and manufacturer's suggested list prices are subject to change without notice and the McCulloch Corporation reserves the right to make such changes without prior notification or obligation to backfit or supply backfit components for units previously shipped from the factory.

I. P. L. #87807 supersedes and cancels I. P. L. #85870.



OCTOBER 1972

	Page
Figure 1. General	2
Figure 2. Clutch and Starter Assemblies	4
Figure 3. Fuel Tank Assembly	4
Figure 4. Carburetor Assembly	6
Figure 5. Carburetor Assembly	6
Figure 6. Transmission Assembly	8
Figure 7. Powerhead Assembly	10

 **McCULLOCH** 

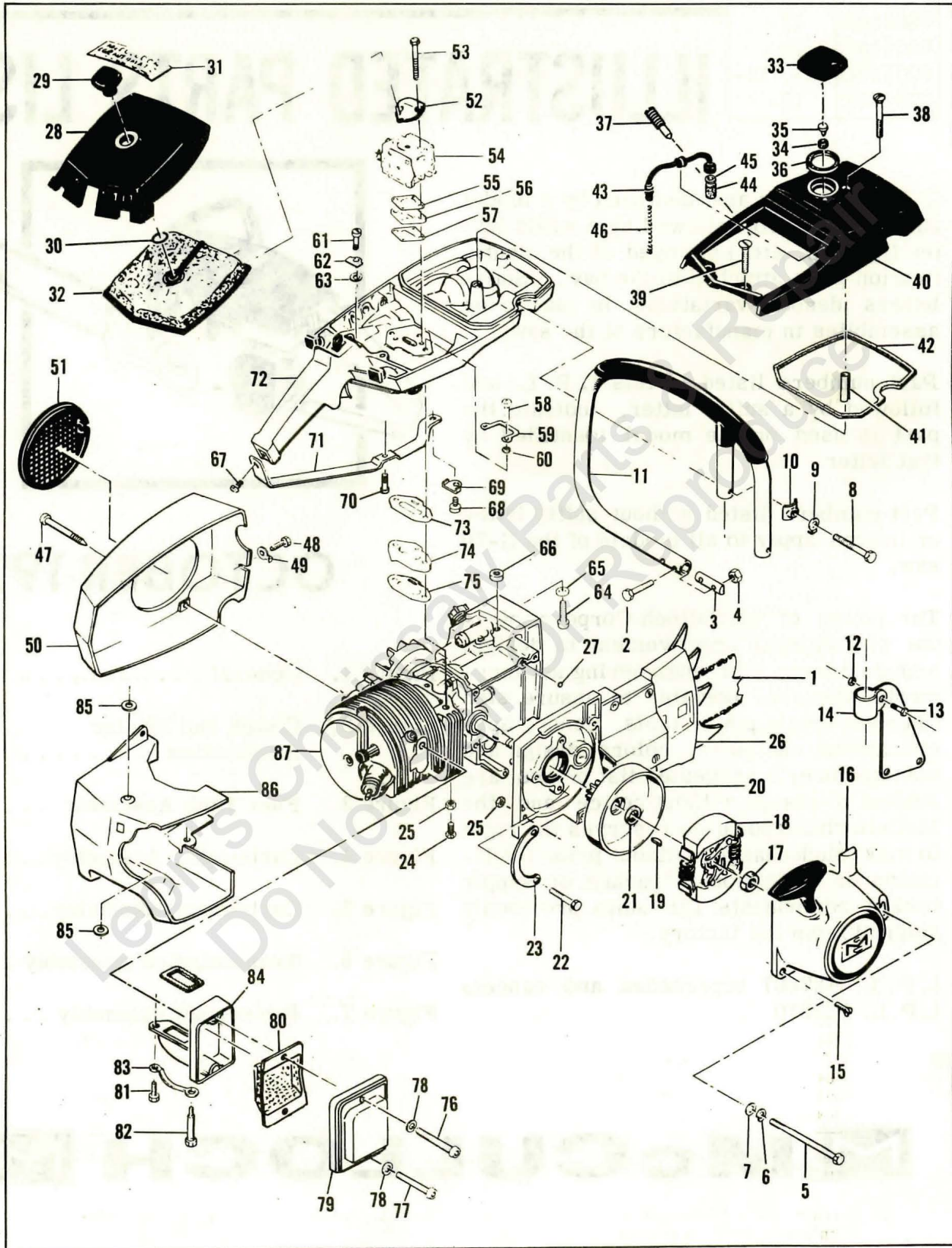


Figure 1. General Assembly

FIGURE 1. GENERAL

Item No.	Part Number	Description	Units Per Assy	Item No.	Part Number	Description	Units Per Assy
1		Bar & Chain Assy (See Figure 6)		46	67944	Spring - Hose	1
2	102761	Screw - Hex hd 10-24 x 7/8	2	47	62978	Screw - Special	3
3	61678	Plug - Nut retainer	1	48	102762	Screw - Hex hd 10-24 x 1/2	1
4	101326	Nut - Hex 10-24	2	49	69890	Lockplate	1
5	-110874	Screw - Hex hd 10-24 x 3-5/8	1	50	83521	Kit - Fan housing	1
6	103174	Lockwasher - #10	1	51	-87249	Guard - Flywheel	1
7	100003	Washer - #10	1	52	83204	Bracket Assy	1
8	102130	Screw - Hex hd 1/4-20 x 1/2	1	53	103357	Screw - Hex hd 10-24 x 2-1/4	2
9	69947	Lockplate	1	54		Carburetor Assy (See Figures 4 and 5)	
10	63484	Clamp - Frame	1	55	86189	Gasket - Carburetor	1
11	67479	Frame & Grip Assy	1	56	84078	Spacer - Carburetor	1
12	101326	Nut - Hex 10-24	1	57	84081	Gasket - Spacer	1
13	102762	Screw - Hex hd 10-24 x 1/2	1	58	110567	Screw - Hex hd 12-24 x 1-1/4	2
14	85006	Brace - Frame	1	59	68582	Lockplate	1
15	110622	Screw - Oval hd 10-24 x 7/8	1	60	102115	Washer - #12	2
16		Starter Housing Assy (See Figure 2)		61	110568	Screw - Hex hd 12-24 x 1-1/8	1
17	110703	Nut - Hex 3/8-24 (R. H.)	1	62	69516	Lockplate	1
18		Clutch Assy (See Figure 2)		63	64856	Washer - Special	1
19	103879	Key - Woodruff	1	64	110713	Screw - Skt hd 10-24 x 7/8	1
20	63493	Drum, Gear & Seal Assy	1	65	100003	Washer - #10	1
21	63476	Seal	1	66	68219	Spacer - Fuel tank	1
22	104243	Screw - Hex hd 1/4-20 x 1-3/4	2	67	106078	Screw - Pan hd 10-24 x 7/16 (SEMS)	1
23	68509	Lockplate	1	68	110566	Screw - Hex hd 12-24 x 5/8	1
24	-110341	Screw - Hex 10-24 x 1/2	1	69	68508	Lockplate	1
25	105367	Nut - Hex 10-24	2	70	110682	Screw - Hex hd 10-24 x 7/8	1
26		Transmission Assy (See Figure 6)		71	85007	Brace - Handle	1
27	106104	"O" Ring	1	72		Fuel Tank Assy (See Figure 3)	
28	68530	Cover Assy - Air cleaner	1	73	84082	Gasket - Fuel tank	1
29	68529	Knob - Cover	1	74	84080	Insulator - Fuel tank	1
30	110565	Ring - Retaining	1	75	68594	Gasket - Insulator	1
31	86173	Nameplate	1	76	-104534	Screw - Skt hd 10-24 x 1-13/32	1
32	83230	Filter Assy - Air	1	77	-101563	Screw - Skt hd 10-24 x 1-1/4	1
33	86451	Cap Assy - Fuel	1	78	-24236	Washer - Special	2
34	86453	Plug	1	79	-83966	Cover - Muffler	1
35	53766A	Valve	1	80	-85152	Baffle - Muffler (A)	1
36	69767	Gasket	1	81	110529	Screw - Hex hd 10-24 x 1/2	1
37	② -87932	Screw - Idle adjustment	1	82	68187	Screw - Special	1
38	110402	Screw - Oval hd 12-24 x 2-3/8	1	83	67922	Lockplate	1
39	103579	Screw - Fl hd 10-24 x 1	2	84	-87663	Body & Duct Assy - Muffler	1
40	① 69679	Cover - Fuel tank	1	85	68581	Insulator - Shroud	2
41	② -87815	Cover - Fuel tank	1	86	85731	Shroud	1
42	-87840	Spacer - Cover	1	87		Powerhead Assy (See Figure 7)	
43	69345	Gasket - Cover	1				
44	64848	Hose Assy - Fuel	1				
45	63932	Filter - Fuel	1				
	100440	Washer	1				

① Used on Model 600410A with serial numbers prefixed 11-, and on Models 600410B and 600410D with serial numbers prefixed 14-.

② Used on Model 600410A with serial numbers prefixed 12-, and on Models 600410D and 600410E with serial numbers prefixed 15-.

Part numbers which have changed since the previous printing of the illustrated parts list covering these saws, are indicated by a dash (-) preceding the new part number.

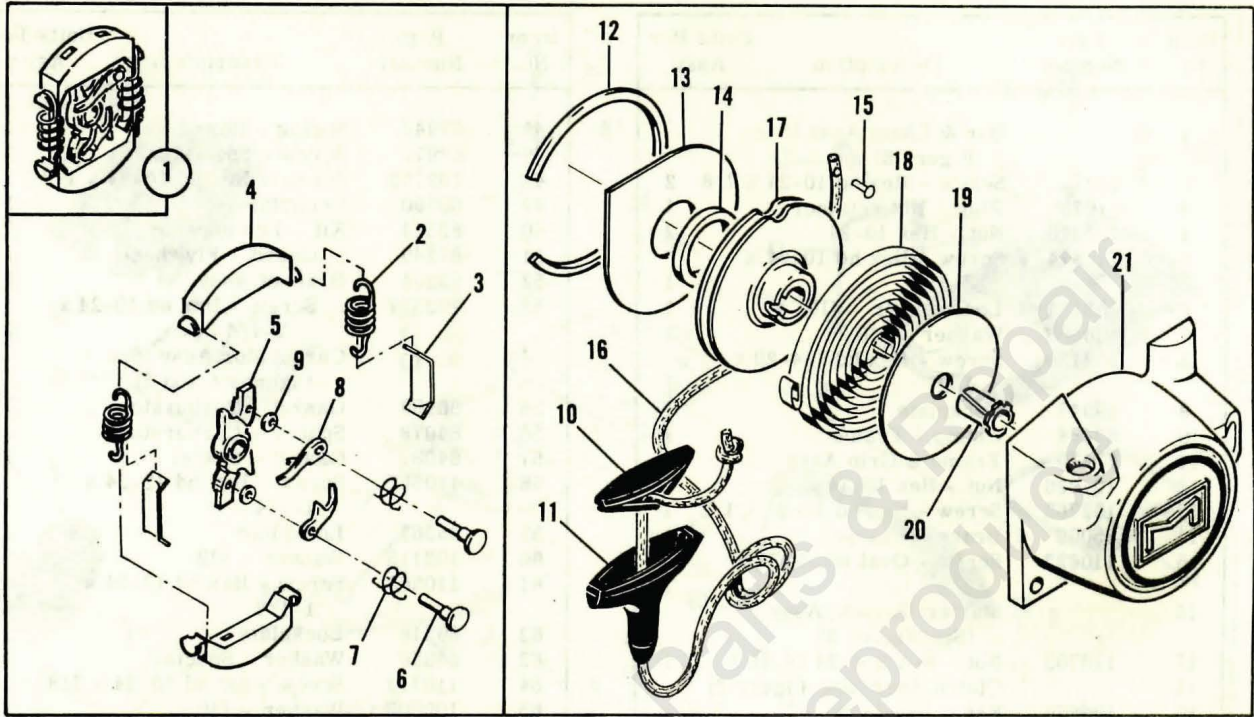


Figure 2. Clutch and Starter Assembly

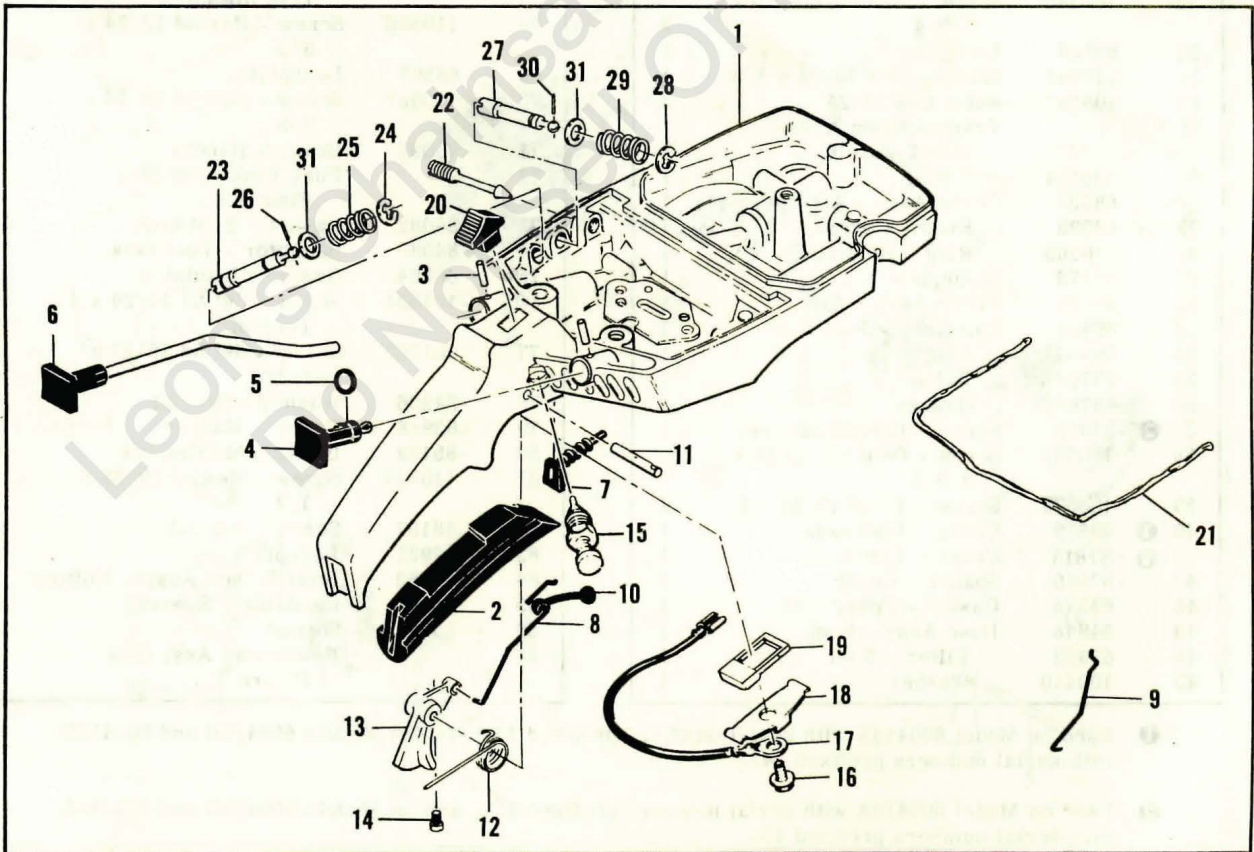


Figure 3. Fuel Tank Assembly

FIGURE 2. CLUTCH AND STARTER ASSEMBLY

Item No.	Part Number	Description	Units Per Assy	Item No.	Part Number	Description	Units Per Assy
1	83655	Clutch Assy	1	11	62190A	Handle - Starter	1
2	83223	Spring - Clutch	2	12	67205	Retainer - Shield	1
3	64583	Retainer - Spring	2	13	63985	Shield - Dust	1
4	67233	Shoe - Clutch	2	14	63986	Washer - Thrust	1
5	67149	Rotor Assy - Clutch	1	15	110470	Rivet - Rope	1
6	83653	Rivet	2	16	69964	Rope - Starter	1
7	83654	Spring - Pawl	2	17	85124	Drum - Starter	1
8	24093	Pawl - Starter	2	18	87680	Spring - Rewind	1
9	65473	Washer - Special	2	19	63987	Shield - Spring	1
	85857	Starter Housing Assy	1	20	61635A	Bushing - Nyliner	1
10	62191A	Insert - Handle	1	21	84343	Housing - Starter	1

FIGURE 3. FUEL TANK ASSEMBLY

Item No.	Part Number	Description	Units Per Assy	Item No.	Part Number	Description	Units Per Assy
1	① 84183	Fuel Tank Assy	1	16	103672	Screw - Fil hd 8-32 x 1/2 (SEMS)	1
	② -87685	Fuel Tank Assy	1	17	62973A	Wire Assy - Stop switch	1
2	-87883	Grip - Handle	1	18	62451	Contact - Switch	1
3	105673	Pin - Roll 3/32 x 9/16	2	19	62950A	Base - Switch	1
4	69041	Button - Choke	1	20	68846	Button - Switch	1
5	101056	"O" Ring	1	21	*69564	Seal - Airbox	AR
6	64871	Button & Rod Assy	1	22	① 67271	Screw - Idle adjustment	1
7	68522	Seal - Throttle rod	1	23	① 68102	Extension Assy - High speed	1
8	85107	Rod - Throttle	1	24	① 110512	Ring - Retaining	1
9	69042	Rod - Choke	1	25	① 67363	Spring	1
10	69043	Snubber - Rod	1	26	① 110509	Pin - Groove	1
11	110378	Pin - Roll 3/16 x 15/16	1	27	① 68101	Extension Assy - Idle	1
12	-87178	Spring - Throttle return	1	28	① 110512	Ring - Retaining	1
13	86450	Trigger	1	29	① 67363	Spring	1
14	110668	Screw - Trigger adjustment	1	30	① 110509	Pin - Groove	1
15	85451	Latch Assy - Throttle	1	31	① 67292	Washer	2

*Furnished on a 12-1/2 inch strip containing 9 beads of sealant (enough for 9 replacements).

- ① Used on Model 600410A with serial numbers prefixed 11-, and on Models 600410B and 600410D with serial numbers prefixed 14-.
- ② Used on Model 600410A with serial numbers prefixed 12-, and on Models 600410D and 600410E with serial numbers prefixed 15-.

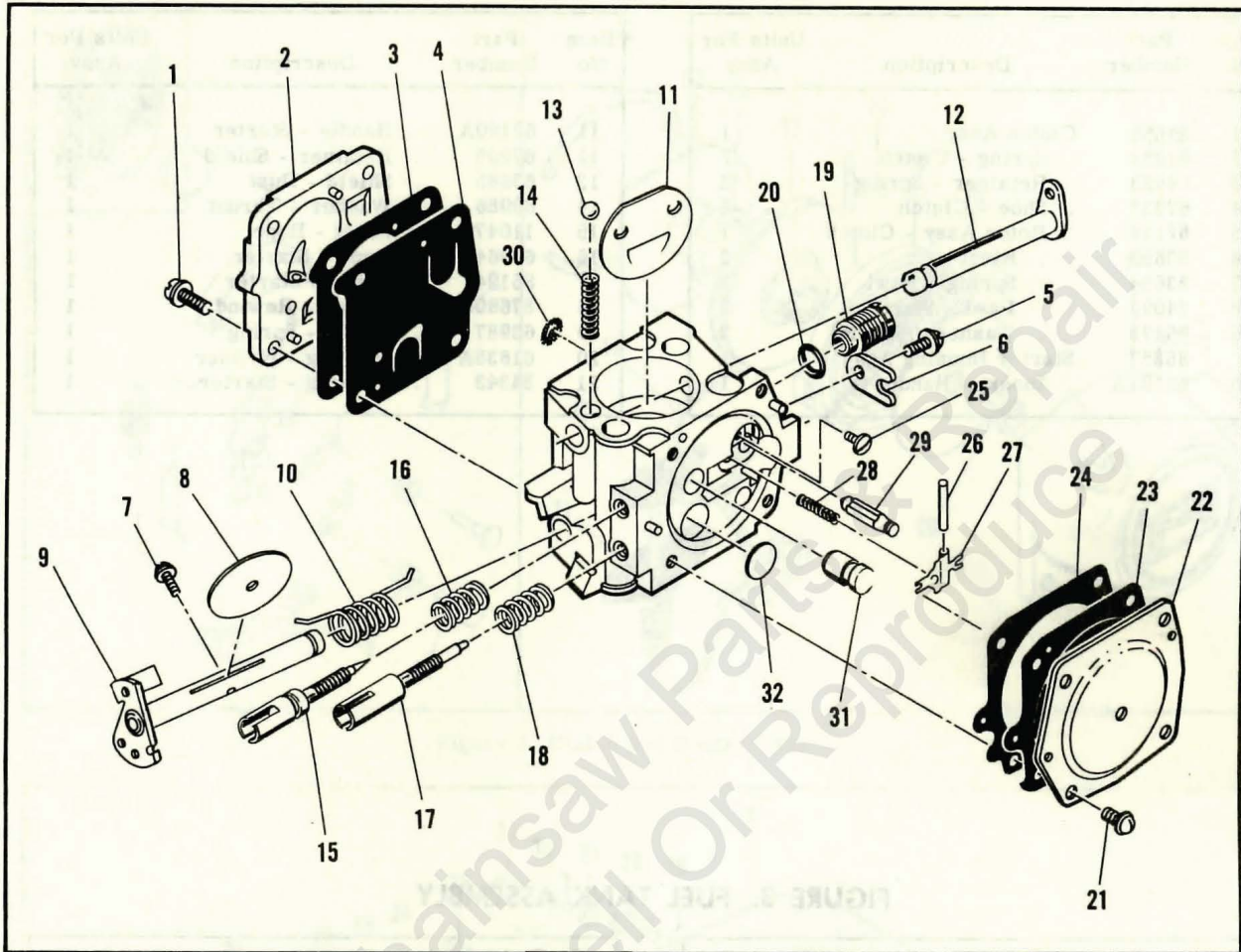


Figure 4. Carburetor Assembly

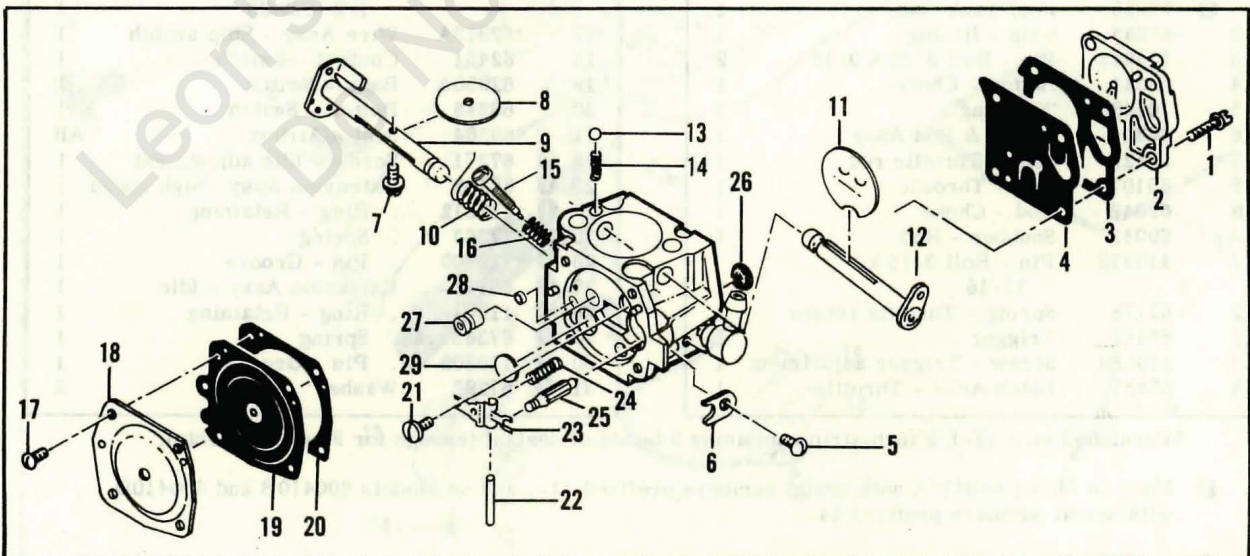


Figure 5. Carburetor Assembly

FIGURE 4. CARBURETOR ASSEMBLY

Item No.	Part Number	Description	Units Per Assy
*	69948	Carburetor Assy	1
1	52933	. Screw - Pump cover	4
2	66628	. Cover - Pump	1
3	66629	. Gasket - Cover	1
4	66630	. Diaphragm - Fuel pump	1
5	48780	. Screw - Clip retainer	1
6	66646	. Clip - Throttle shaft	1
7	48780	. Screw - Plate	1
8	51720	. Plate - Throttle	1
9	83546	. Shaft Assy - Throttle	1
10	67136	. Spring - Throttle return	1
11	65856	. Plate - Choke	1
12	83725	. Shaft Assy - Choke	1
13	100071	. Ball - Choke friction	1
14	52930	. Spring - Choke friction	1
15	83477	. Needle - High speed	1
16	52936	. Spring - High speed needle	1

Item No.	Part Number	Description	Units Per Assy
17	83547	. Needle - Idle	1
18	67133	. Spring - Idle needle	1
19	83549	. Valve Assy - Governor	1
20	83548	. Gasket - Valve	1
21	51721	. Screw - Diaphragm cover	4
22	83724	. Cover - Diaphragm	1
23	66632	. Diaphragm - Metering	1
24	66633	. Gasket - Diaphragm	1
25	83479	. Screw - Lever pin	1
26	66636	. Pin - Lever	1
27	66638	. Lever - Metering	1
28	66404	. Spring - Lever	1
29	66637	. Valve - Needle	1
30	66623	. Screen - Fuel inlet	1
31	83729	. Check Valve - Nozzle	1
32	66622	. Plug - Welch	1

* Used on Models - 600410, S/N prefix A10-, 13-, 600410B, D, S/N prefix 14-.

FIGURE 5. CARBURETOR ASSEMBLY

Item No.	Part Number	Description	Units Per Assy
**	-87809	Carburetor Assy	1
1	52933	. Screw - Pump cover	4
2	66628	. Cover - Pump	1
3	66629	. Gasket - Pump cover	1
4	*66630	. Diaphragm - Fuel pump	1
5	48780	. Screw - Throttle shaft clip	1
6	66646	. Clip - Throttle shaft	1
7	*48780	. Screw - Throttle plate	1
8	51720	. Plate - Throttle	1
9	-87922	. Shaft Assy - Throttle	1
10	*67136	. Spring - Throttle shaft	1
11	65856	. Plate - Choke	1
12	83725	. Shaft Assy - Choke	1
13	100071	. Ball - Choke friction	1
14	48759	. Spring - Choke friction	1
15	88768	. Needle - Idle mixture	1
16	*66626	. Spring - Idle mixture needle	1

Item No.	Part Number	Description	Units Per Assy
17	61725	. Screw - Diaphragm cover	4
18	83724	. Cover - Diaphragm	1
19	*66632	. Diaphragm - Metering	1
20	66633	. Gasket - Diaphragm	1
21	*66644	. Screw - Inlet lever pin	1
22	*66636	. Pin - Inlet lever	1
23	*66638	. Lever - Inlet	1
24	*66404	. Spring - Inlet lever	1
25	66637	. Needle - Inlet	1
26	*66623	. Screen - Fuel inlet	1
27	-88772	. Jet - High speed fuel (.028")	1
	-88771	Jet - H/S fuel (.029")	Alt.
	-88780	Jet - H/S fuel (.026")	Alt.
	-88781	Jet - H/S fuel (.027")	Alt.
28	52928	. Plug - Cup	1
29	*66622	. Plug - Welch	1
	-*88774	Gasket Set	
	- 88775	Repair Kit	
	- 88776	Gasket & Diaphragm Set	

*Indicates parts included in Repair Kit, P/N 88775.

** Used on Models - 600410A, S/N prefix 12-, 600410D, E, S/N prefix 15-.

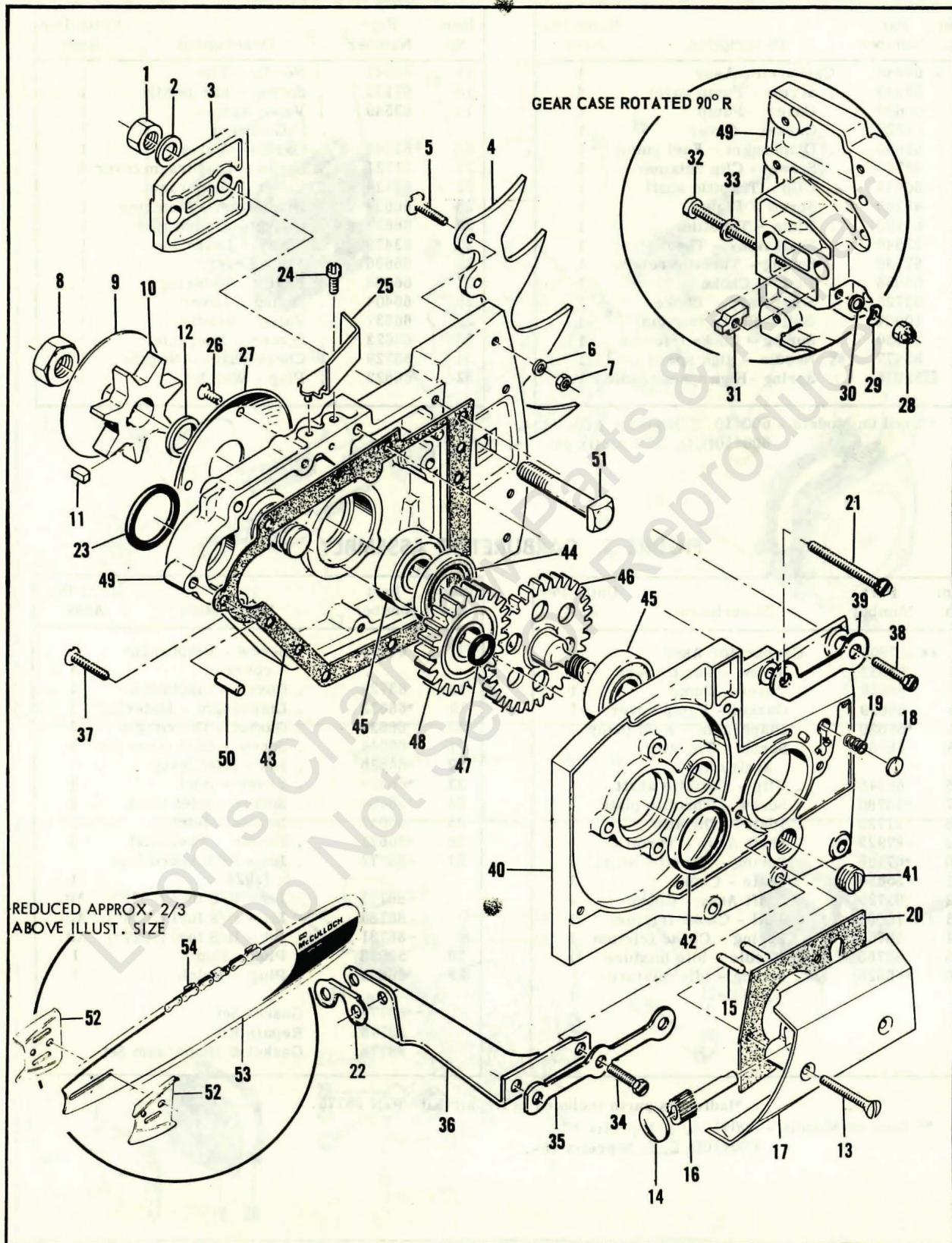


Figure 6. Transmission Assembly

FIGURE 6. TRANSMISSION ASSEMBLY

Item No.	Part Number	Description	Units Per Assy	Item No.	Part Number	Description	Units Per Assy
1	110625	Nut - Hex 3/8-24	2	26	110417	Screw - Fl hd 6-32 x 3/8	3
2	84623	Washer - 3/8	2	27	63416	Plate - Sprocket	1
3	63417	Plate - Bar clamp	1	28	102067	Nut - Hex 10-24	1
4	63994	Kit - Spike	1	29	110387	Washer - Wave	1
5	110245	Screw - Fl hd 10-24 x 3/4	4	30	100003	Washer - #10	1
6	110264	Washer - #10	4	31	63824A	Nut - Bar adjustment	1
7	101191	Nut - Hex 10-24	4	32	110548	Screw - Bar adjustment	1
8	60972	Nut - Hex 7/16-20	1	33	110264	Washer	1
9	63997A	Plate - Sprocket	1	34	102290	Screw - Hex hd 10-24 x 1-1/8	1
10	① 56442	Sprocket - 8T .404	1	35	83457	Lockplate	1
	② 36644A	Sprocket - 7T 1/2	1	36	67066	Brace - Gearcase	1
	③ 52069A	Sprocket - 7T .404	1	37	110405	Screw - Oval hd 8-32 x 7/8	3
11	63808	Key - Sprocket	1	38	102760	Screw - Hex hd 10-24 x 1	1
12	64754	Spacer - Sprocket	1	39	83456	Lockplate	1
13	110406	Screw - Oval hd 8-32 x 1-1/4	2	40	68490	Cover Assy - Gearcase (3:1)	1
	65882	Pump Assy - Oil	1	41	100432	Plug - Filler	1
14	105559	Plug - Welch	1	42	63477	Seal - Pinion gear	1
15	110392	Pin - Plunger	2	43	68576	Gasket - Cover	1
16	63428	Plunger - Pump	1	44	63478	Seal - Gearcase	1
17	65881	Body - Pump	1	45	110348	Bearing - Sprocket shaft	2
18	62909	Valve - Oiler	1	46	64775	Gear - Sprocket	1
19	63692	Spring - Valve	1	47	110452	"O" Ring	1
20	63474	Gasket - Pump	1	48	66616	Gear Assy - Idler	1
21	102765	Screw - Hex hd 10-24 x 1-3/4	1	49	68488	Gearcase (3:1)	1
22	83455	Lockplate	1	50	101770	Pin - Dowel	2
	68487	Transmission Assy (3:1)	1	51	64584	Bolt - Bar	2
23	104360	"O" Ring	1	52	64935	Plate - Bar protector	2
24	110055	Screw - Fil hd 8-32 x 3/8 (SEMS)	1	53		Bar	1
25	63491	Filler	1	54		Chain Assy	1

- ① Used on Models 600410B and 600410D with serial numbers prefixed 14-.
- ② Used on Model 600410A with serial numbers prefixed 11- and 12-, and on Model 600410D with serial numbers prefixed 15-.
- ③ Used on Model 600410E with serial numbers prefixed 15-.

ACCESSORIES

Part Number	Description	Part Number	Description
68585	Transmission (2:1)	-65408	Spark Plug - Ch CJ8 (A)
84453	Kit - Piston tool	-65551	Spark Plug - Ch CJ4 (A)
84922	Baffle - Muffler	-86419	Guide - Timing
63097	Spark Plug - AC CS 45T (B, D, E)	85726	Manual - Owner's
65778	Spark Plug - AC CS 41T (B, D, E)	61040	Wrench - Screwdriver

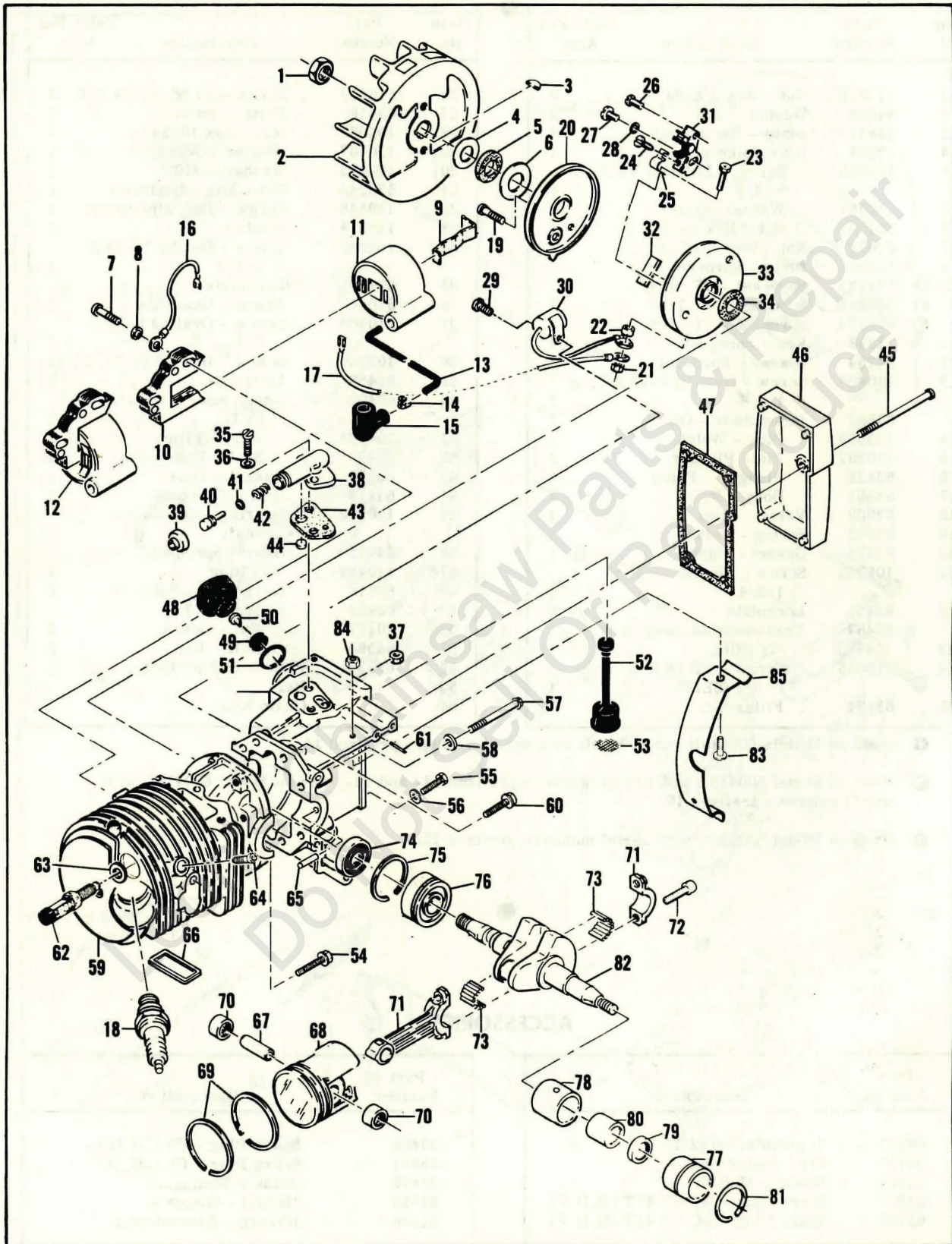


Figure 7. Powerhead Assembly

FIGURE 7. POWERHEAD ASSEMBLY

Item No.	Part Number	Description	Units Per Assy	Item No.	Part Number	Description	Units Per Assy
1	110703	Nut - Hex 3/8-24	1	45	110407	Screw - Pan hd 10-24 x 3-1/2	1
2	86068	Flywheel Assy	1	46	63974	Cover - Oil tank	1
3	103879	Key - Woodruff	1	47	63442	Gasket - Cover	1
4	67057	Washer - Thrust	1	48	-87270	Cap Assy - Oil	1
5	67056	Seal	1	49	-87269	. Retainer - Valve	1
6	67054	Washer - Thrust	1	50	-86402	. Valve - Cap	1
7	110127	Screw - Hex hd 10-24 x 7/8	2	51	101148	"O" Ring	1
8	-100002	Washer - #10	2	52	62123B	Hose Assy - Oil	1
9	① 51253	Retainer - Coil	1	53	51506	. Screen - Hose	1
10	① 85138	Lamination Assy	1	54	110404	Screw Assy - Hex hd 8-32 x 7/8	1
11	① 84972	Kit - Coil	1	55	63607	Screw Assy - Sealing	1
12	② -87246	Coil & Lamination Assy	1	56	63606	. Washer - Sealing	1
13	50120	. Wire Assy - Spark plug	1	57	62105	Screw Assy - Sealing	4
14	55061	. . Connector	1	58	62842	. Washer - Sealing	4
15	-85758	. . . Boot	1	59	-87810	Crankcase Assy	1
16	62819	Wire Assy - Ground	1	60	110288	. Screw Assy - Hex hd 8-32 x 3/4	2
17	69344	Wire Assy - Primary	1	61	105826	. Pin - Roll	1
18	-65409	Spark Plug - Ch CJ6 (A)	1	62	-87866	. Valve - DSP	1
	63432	Spark Plug - AC CS 42T (B, D, E)	1	63	85505	. Washer - Valve	1
19	110584	Screw - Rd hd 8-32 x 3/4	1	64	110681	. Screw - Skt hd 10-24 x 1/4	1
20	62362	Cover - Breaker box	1	65	-110851	. Pin - Dowel	1
21	100298	Nut - Hex 6-32	1	66	84007	. Gasket - Muffler	1
22	62365	Spacer - Breaker	1	67	69020	Pin - Piston	1
23	110346	Screw - Hex hd 6-32 x 3/4	1	68	85239	Piston Assy	1
24	-110706	Screw - Pan hd 8-18 x 1/2	1	69	-87166	. Ring Set - Piston	1
25	83126	Strap - Conductor	1	70	110590	. Bearing - Needle	2
26	110811	Screw - Pan hd 8-32 x 3/8	1	71	85352	Connecting Rod Assy	1
27	110445	Screw - Tr hd 8-32 x 3/8	1	72	61627A	. Screw - Skt hd special	2
28	105976	Washer - #8	1	73	84455	. Roller - Needle (set of 20)	1
29	110544	Screw - Pan hd 8-32 x 3/8	1	74	61618	Seal - Oil	1
30	85358	Condenser	1	75	63464	Ring - Snap	1
31	66231	Breaker Assy	1	76	63429B	Bearing - Ball	1
32	54184	Wiper - Cam	1	77	① 63492	Insert & Bearing Assy	1
33	84329	Box - Breaker	1	78	② -87805	Insert & Bearing Assy	1
34	67051	Seal - Box	1	79	110260	. Seal - Oil	1
35	110623	Screw - Fil hd 8-32 x 1/2	2	80	104357	. Bearing - Needle	1
36	105976	Washer - #8	2	81	① 63699	. Ring - Insert	1
37	100955	Nut - Hex 8-32	1	82	84654	Crankshaft	1
38	84156	Housing - Pump	1	83	110813	Screw - Pan hd 10-24 x 5/16	2
39	62262	Cap - Housing	1	84	101191	Nut - Hex 10-24	2
40	62266	Plunger - Pump	1	85	65363	Guard - Crankcase	1
41	101056	"O" Ring	1				
42	66687	Spring - Plunger	1				
43	62230	Gasket - Pump	1				
44	62909	Valve - Pump	1				

① Used on Model 600410A with serial numbers prefixed 11-, and on Models 600410B and 600410D with serial numbers prefixed 14-.

② Used on Model 600410A with serial numbers prefixed 12-, and on Models 600410D and 600410E with serial numbers prefixed 15-.

McCULLOCH
CORPORATION



● MANUFACTURING ● SALES ● SERVICE ●

McCULLOCH
CORPORATION

P.O. Box 92180, Los Angeles, CA 90009

Copyright - McCulloch.

To answer service-related questions and to solve common consumer problems quickly, we invite you to call this toll-free hot-line:

Arizona residents please call collect (602)453-5681

(800) 423-6302