

ILLUSTRATED PARTS LIST

MODEL NAME	SERIAL NUMBER PREFIX	MODEL
EAGER BEAVER 2010	11-	600032-11
EAGER BEAVER 2014	11-	600032-15
EAGER BEAVER 2014	11-	600032-28
EAGER BEAVER 2014	11-	600032-34
EAGER BEAVER 2016	11-	600032-17
EAGER BEAVER 2016	11-	600032-29
MAC 3210	11-	600032-03
MAC 3214	11-	600032-07
MAC 3214	11-	600032-32
MAC 3214	11-	600032-25
MAC 3216	11-	600032-09
MAC 3216	11-	600032-30
MAC 3216	11-	600032-31
MAC 3216	11-	600032-33
MAC 3216	11-	600032-27
SILVER EAGLE 2012-S	11-	600032-21
SILVER EAGLE 2014-S	11-	600032-19
SILVER EAGLE 2016-S	11-	600032-23

McCulloch products are identified by a model number (in this instance 600032) followed by a suffix number (09). Suffix numbers denote variations in parts or assemblies used in the manufacture of this product.

Illustrated Parts Lists (IPLs) contain a PART NUMBER, DESCRIPTION, UNITS per assembly and STOCKING CODE for each part.

Stocking Codes are:

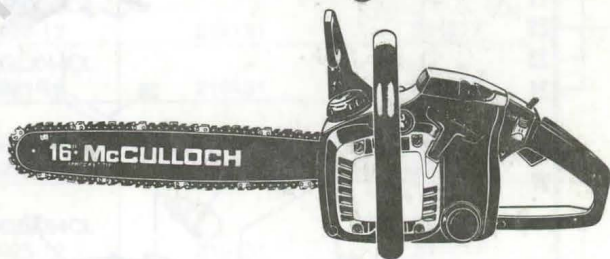
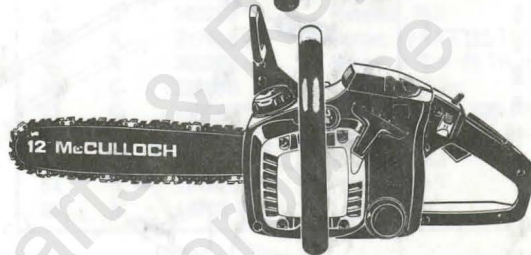
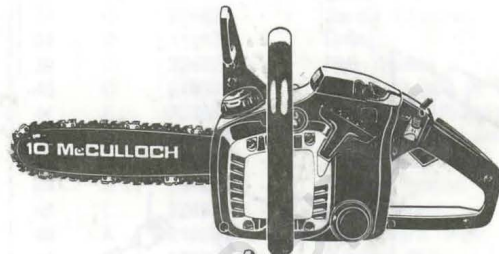
- A- Dealer stocked. Fast to medium moving part.
- B- Distributor stocked. Medium to slow moving part.
- C- Factory stocked. Slow moving part.
- T- Indicates a McCulloch service tool.

NOTE: The following explains symbols/footnotes in this IPL:

- (-) A dash preceding a PART NUMBER indicates that it is a new part number, different from the one listed in the previous IPL for this unit.
- (.) One or more dots (. Spring, Starter) preceding a part DESCRIPTION indicates the part is included in the kit or assembly described directly above the dot(s).
- (--) If four dashes appear in place of a PART NUMBER, the part is not available individually but is included in the next higher assembly or subassembly.
- ① ② Circled numbers preceding a DESCRIPTION footnote the part or assembly to additional information on the page.
- (*) An asterisk draws attention to general information.

The policy of McCulloch Corporation is one of continual improvement in design, manufacturing and engineering advancement wherever possible to assure still finer power tools. Hence, specifications, equipment colors, design and manufacturer's suggested list prices are subject to change without notice. McCulloch Corporation reserves the right to make such changes without prior notification or obligation to backfit or supply backfit components for units previously shipped from the factory.

32 CC GASOLINE-POWERED CHAIN SAWS



CONTENTS

	PAGE
FIGURE 1 General Assembly	2
FIGURE 2 Powerhead Assembly	4
FIGURE 3 Chain Brake Assembly	6
FIGURE 4 Carburetor Assembly	7
Specifications	5

MAY 1993

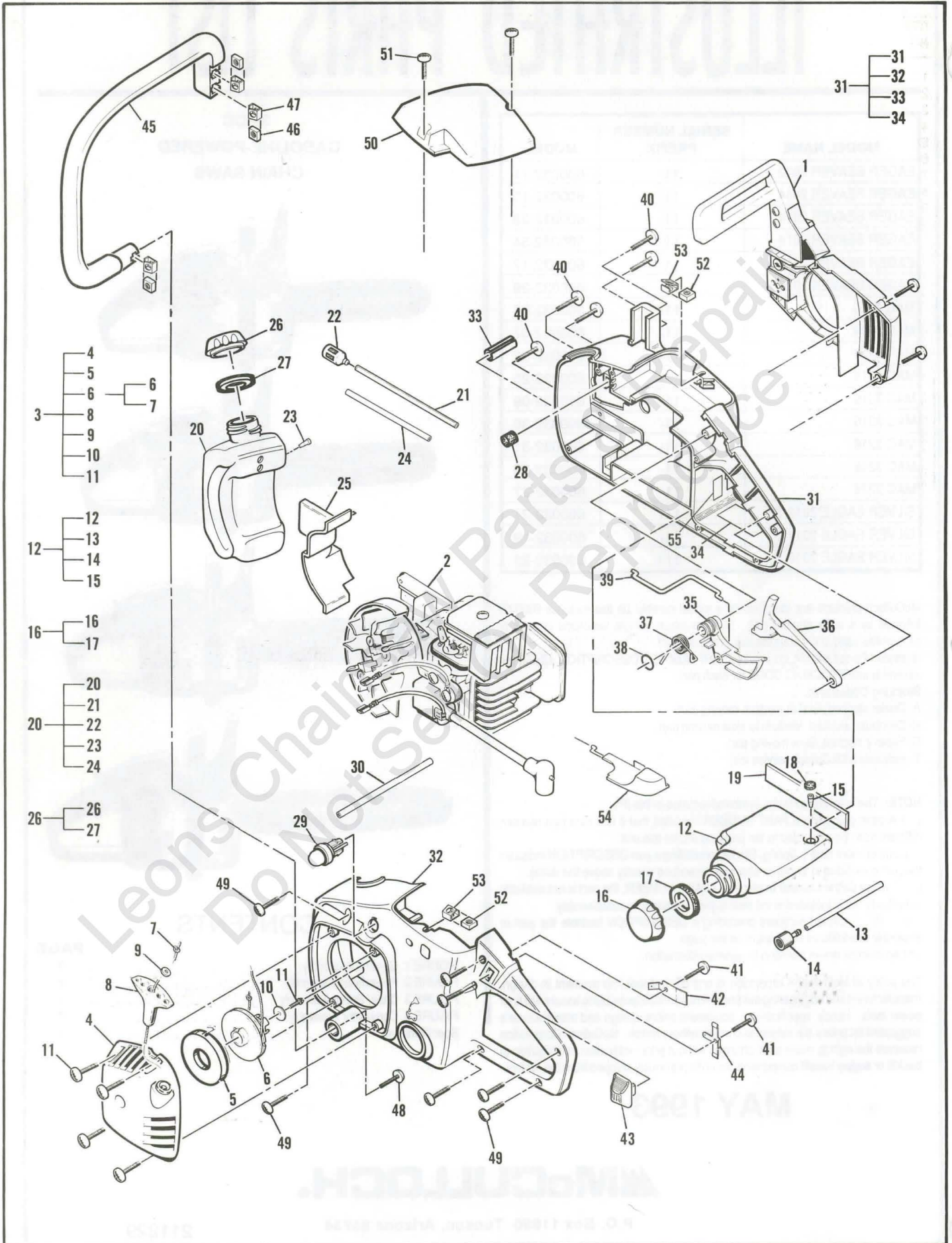


P.O. Box 11990 Tucson, Arizona 85734

211229

FIGURE 1

GENERAL ASSEMBLY



GENERAL ASSEMBLY

FIGURE 1

ITEM NO.	STK. CODE	PART NUMBER	DESCRIPTION	UNITS PER ASY.
1		FIGURE 3	Chain Brake Asy	
2		FIGURE 2	Powerhead Asy.	
3	C	300264	Starter Housing Asy.	1
4	C	301044	. Housing/Rope Guide Asy.	1
5	A	300475	. Spring Asy., Starter	1
6	B	301043	. Rope/Drum Asy.	1
7	B	300300	. Rope, Starter, 50"	1
8	A	87851	. Handle, Starter	1
9	B	223944	. Bushing, Starter	1
10	C	300297	. Washer, .19 ID x .68 OD	1
11	A	300294	. Screw, 8-16 x .75 TR HD Plastite	5
12	C	300260	Oil Tank Asy.	1
13	A	300289	. Hose, Oil Pick-up	1
14	B	225062	. Pick-up, Oil	1
15	A	300256	. Valve, Duckbill	1
16	B	300268	Oil Cap Asy.	1
17	B	300269	. Gasket, Oil Cap	1
18	C	300259	Filter, Foam	1
19	C	322195	Spacer, Oil Tank	1
20	B	300258	Fuel Tank Asy.	1
21	A	300289	. Hose, Fuel Pick-up	1
22	A	216985	. Pick-up, Fuel	1
23	B	322199	. Valve, Duckbill	1
24	A	300290	. Hose, Primer Return	1
25	C	322191	Shield, Fuel Tank	1
26	B	300266	Fuel Cap Asy.	1
27	B	300267	. Gasket, Fuel Cap	1
28	C	300259	Filter, Foam	1

ITEM NO.	STK. CODE	PART NUMBER	DESCRIPTION	UNITS PER ASY.
29	A	224242-01	Primer, Remote	1
30	B	300298	Hose, Primer	1
31	C	301096	Housing Set/Pin Asy.	1
32		-- --	. Housing, Left Engine	1
33	C	111098	. Pin, Roll 1/4 x 1.0 L	1
34	B	322503	. Label, Starting Instructions	1
35	C	224821	Trigger, Throttle	1
36	C	224822	Latch, Throttle	1
37	C	224823	Spring, Torsional	1
38	B	111128	O-ring	1
39	C	224827	Rod, Throttle	1
40	C	219881	Screw, 10-24 x .62 TR HD TX	5
41	A	223357	Screw, 8-16, Plastite	2
42	B	224845	Contact, Ground Stud	1
43	A	68846	Button, Stop Switch	1
44	B	224844	Contact, Ignition	1
45	C	224836	Handle, Front	1
46	A	218005	Nut, Square 10-24	3
47	C	300292	Retainer, Nut	3
48	A	217936	Screw, 10-24 x .75 TR HD TX	1
49	A	300294	Screw, 8-16 x .75 TR HD Plastite	7
50	C	224830	Cover, Air Filter	1
51	C	111099	Screw, 10-24 x .625 PN HD TX	2
52	A	218005	Nut, Square 10-24	2
53	C	300292	Retainer, Nut	2
54	A	224826	Rod, Choke	1
55	B	46703-70	Label, ANSI	1

BAR AND CHAIN INFORMATION

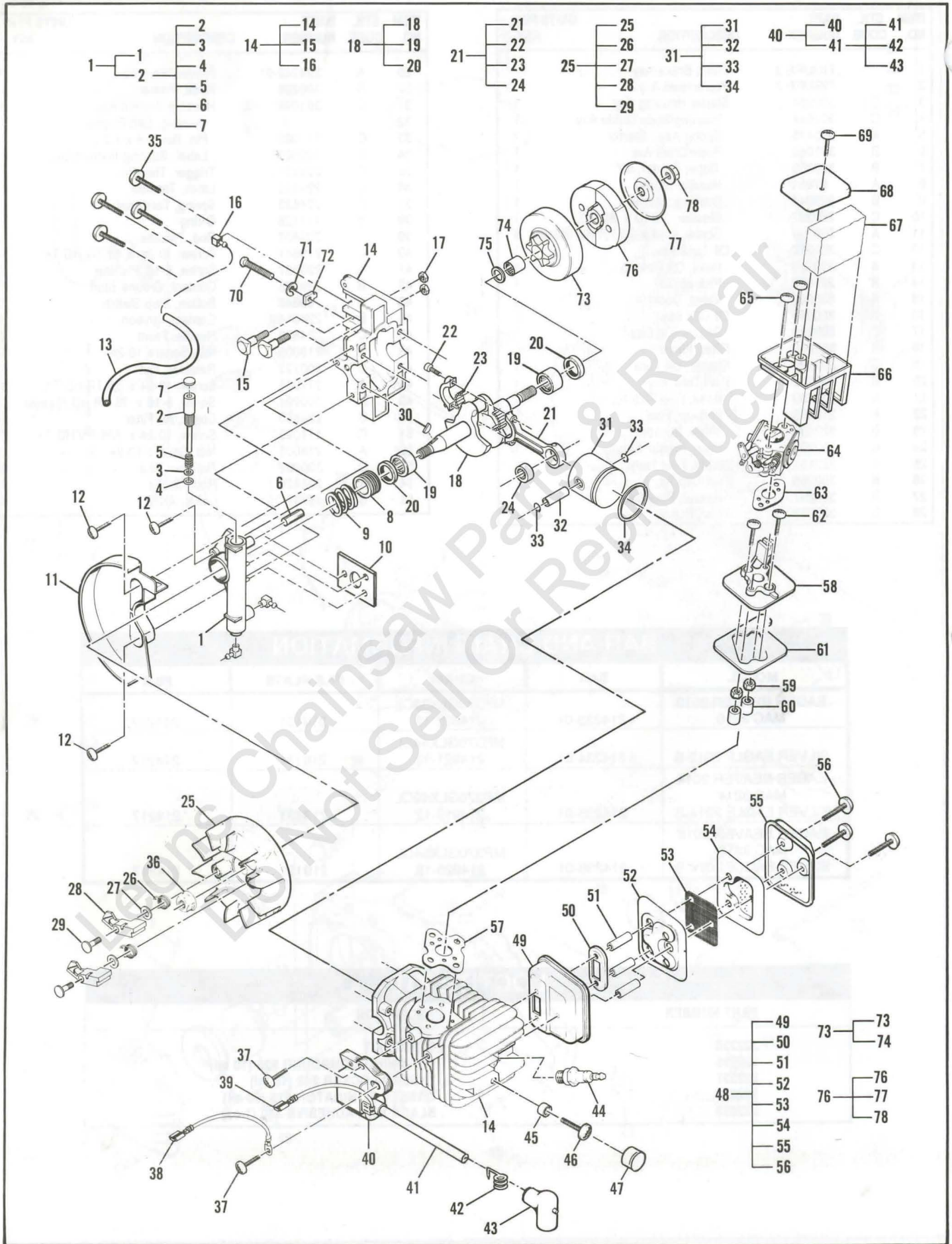
MODEL	BAR	CHAIN	FILE PLATE	FILE
EAGER BEAVER 2010 MAC 3210	214233-01	MP370GLX38CL 214923-12	219131	214217
SILVER EAGLE 2012-S	214234-01	MP370GLX44CL 214921-12	219131	214217
EAGER BEAVER 2014 MAC 3214 SILVER EAGLE 2014-S	214235-01	MP370GLX49CL 214919-12	219131	214217
EAGER BEAVER 2016 MAC 3216 SILVER EAGLE 2016-S	214236-01	MP370GLX54CL 214925-12	219131	214217

LOCTITE KIT

PART NUMBER	DESCRIPTION
322235	LOCTITE KIT
322236	. RETAINING COMPOUND 620 (10 ml)
322237	. THREAD LOCKER 242 (10 ml)
322238	. GASKET ELIMINATOR 518 (50 ml)
322239	. BLACK MAX ADHESIVE 380 (1 oz)

FIGURE 2

POWERHEAD ASSEMBLY



POWERHEAD ASSEMBLY

FIGURE 2

ITEM NO.	STK. CODE	PART NUMBER	DESCRIPTION	UNITS PER ASY.
1	B	224815	Oil Pump Asy.	1
2	B	301084	. Kit, Gear/Plunger Asy.	1
3	A	110582	.. Washer	1
4	---	---	.. O-ring	1
5	---	---	.. Spring	1
6	---	---	.. Pin, Dowel	1
7	C	322187	.. Plug, Oil Pump	1
8	C	224814	Worm Gear	1
9	C	224840	Spring, Comp .105	1
10	C	300295	Seal, Foam, Oil Pump	1
11	C	224816	Shroud, Air	1
12	C	219881	Screw, 10-24 x .62 TR HD TX	3
13	B	300288	Connecting Hose	1
14	C	301048	Cyl/C'case/Bar Bolt Asy.	1
15	A	83856	. Bolt, Bar	2
16	C	300257	. Fitting	1
17	A	110676	Nut, Hx 1/4-28 FLNG	2
18	C	300254	Crankshaft/Bearing Asy.	1
19	A	213282	. Bearing	2
20	A	83859	. Seal	2
21	B	94135	Connecting Rod/Bearing Asy.	1
22	B	94654	. Screw	2
23	B	68095	. Set, Needle Roller	1
24	A	110984	. Bearing, Needle	1
25	B	222778	Flywheel/Pawl Asy.	1
26	B	216982	. Spring, Starter Pawl	2
27	B	93469	. Washer, Starter Pawl	2
28	A	216983	. Pawl, Starter	2
29	B	216984	. Pin, Starter Pawl	2
30	A	102164	Key, Flywheel	1
31	C	301046	Kit, Piston	1
32	C	92836	. Pin, Piston	1
33	A	111026	. Ring, Snap	2
34	C	301047	. Piston Ring, 32cc	1
35	C	111083	Screw, 12-24 x 1.0 HxWshrHd	4
36	B	110961	Nut, Hx 5/16-24	1
37	A	217936	Screw, TR 10-24 x .75 TOR	2
38	B	300261	Wire Asy., Ground	1
39	B	300262	Wire Asy., Stop switch	1

ITEM NO.	STK. CODE	PART NUMBER	DESCRIPTION	UNITS PER ASY.
40	A	219848-01	Ignition Asy.	1
41	A	223884	. Kit, Plug Wire	1
42	B	102556	.. Connector	1
43	B	95266	.. Boot	1
44	A	322189	Spark Plug DJ7Y	1
45	C	322200	Spacer, Cylinder	1
46	A	217936	Screw, TR 10-24 x .75 TOR	1
47	C	322201	Cover, Spacer	1
48	C	301045	Pkg, Muffler Asy.	1
49	C	300280	. Body	1
50	C	300281	. Plate Reinforcing	1
51	C	300284	. Spacer, Muffler	3
52	C	300282	. Baffle, Inner	1
53	C	300286	. Screen, Spark Arrester	1
54	C	300283	. Baffle, Outer	1
55	C	300285	. Cover, Muffler	1
56	C	111093	. Screw, 10-24 x 1.75 TR HD TX	3
57	C	300265	Gasket, Insulator	1
58	C	224820	Insulator, Carburetor	1
59	C	105367	Nut, Hx 10-24	2
60	C	322188	Spacer, Rubber	2
61	C	224850	Seal, Foam	1
62	A	217937	Screw, TR 10-24 x 1.00 T	2
63	C	300293	Gasket, Carburetor	1
64		FIGURE 5	CARBURETOR/CHOKE ASY	
65	B	218083	Screw, TR 10-24 x 2.0 TOR (30-40 in. lbs. torque)	2
66	C	224824	Box, Air Filter	1
67	C	224831	Filter, Air	1
68	C	224825	Shield, Carburetor	1
69	A	111055	Screw, 10-14 x .625 Plastite	1
70	A	223088	Screw, Adjusting	1
71	A	110907	Ring, Retaining	1
72	A	68656	Nut, Bar Adjusting	1
73	B	95646	Drum/Sprocket/Bearing Asy.	1
74	A	91117	. Bearing	1
75	B	215259	Washer, Sprocket	1
76	A	213278	Kit, Clutch Asy.	1
77	C	300276	. Plate, Dust	1
78	C	111079	. Nut, Clutch, 5/16-24 LH	1

SPECIFICATIONS

MODEL	DISPLACEMENT	CARBURETOR TYPE	SPARK PLUG GAP	FLYWHEEL IGNITION GAP
ALL	2.0 C.I.(32 CC)	M27(Zama)	.025"	.010-.015"

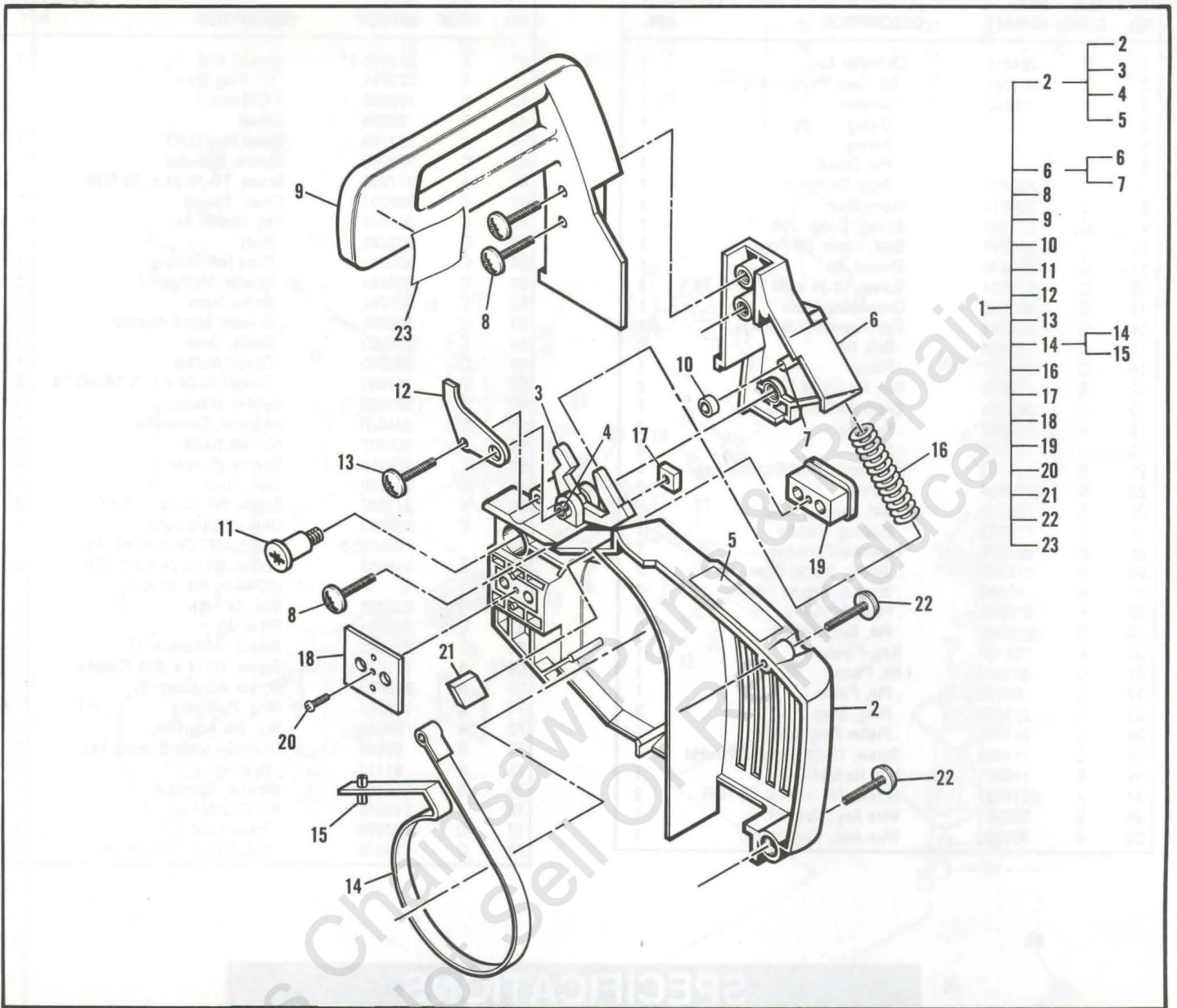
MAX POWER SPEED	IDLE SPEED	CLUTCH ENGAGEMENT SPEED	MAX NO LOAD SPEED	FUEL TANK CAPACITY	OIL TANK CAPACITY
8000 RPM	2800-3300 RPM	3800-4000 RPM	11,000 RPM	10 FL. OZ.	6.1 FL. OZ.

TORQUE SPECIFICATIONS

SPARK PLUG	150 IN.LBS.
FLYWHEEL NUT	180 IN.LBS.
CLUTCH NUT	180 IN.LBS.
MUFFLE 1 SCREWS	50 IN.LBS.
CARBURETOR SCREWS	30-40 IN.LBS.

FIGURE 3

CHAIN BRAKE ASSEMBLY

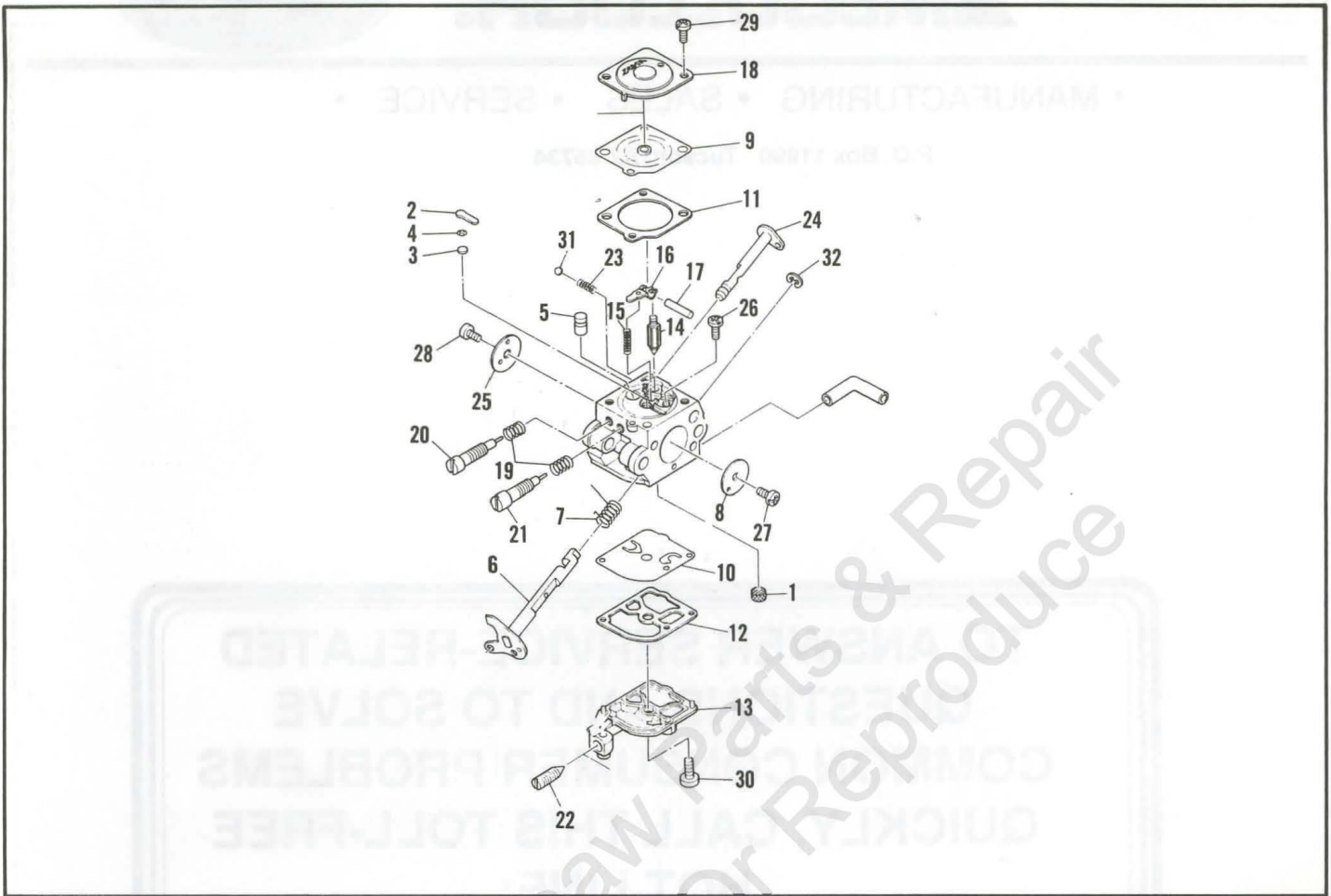


ITEM NO.	STK. CODE	PART NUMBER	DESCRIPTION	UNITS PER ASY.
1	C	300273	Brake Housing Asy.	1
2	C	301036	. Housing Asy., Brake	1
3	C	216755	.. Latch, Chain Brake	1
4	---	---	.. Dowel, Spring	1
5	C	46703-77	.. Label, Spark Arrester	1
6	C	301038	.. Lever, Actuating	1
7	----	----	.. Pin, Dowel	1
8	C	219881	. Screw, 10-24 x .62 TR HD TX	3
9	B	224834	. Guard, Hand	1
10	C	224849	. Roller	1
11	C	224847	. Screw, Shoulder	1
12	C	224848	. Stop, Brake	1

ITEM NO.	STK. CODE	PART NUMBER	DESCRIPTION	UNITS PER ASY.
13	A	300294	. Screw, 8-16 x .75 TR HD Plastite	1
14	C	301037	. Band, Brake	1
15	---	---	.. Pin, Spring (.125 x .50 L)	1
16	B	215721	. Spring, Compression	1
17	A	218005	. Nut, Square 10-24	1
18	C	300275	. Shield	1
19	C	300271	. Spacer, Bar Pad	1
20	C	111101	. Screw, 4-40 x 5/16 Tapdite	1
21	C	322194	. Seal, Foam	1
22	A	300299	. Screw, 8-16 x 1.0 TR HD Plastite	2
23	C	46703-41	. Label, Safety	1

CARBURETOR ASSEMBLY

FIGURE 4



ITEM NO.	STK. CODE	PART NUMBER	DESCRIPTION	UNITS PER ASY.
		224832-01	Carburetor, Zama M27	
1	①		Strainer	1
2	①		Plug, Welch	1
3			Valve, Check	1
4			Retainer, Check Valve	1
5			Nozzle Assembly, Check Valve	1
6			Shaft Assembly, Throttle	1
7			Spring, Throttle Return	1
8			Valve, Throttle	1
9	①②		Diaphragm Assembly, Metering	1
10	①②		Diaphragm, Pump	1
11	①②		Gasket, Metering Chamber	1
12	①②		Gasket, Pump	1
13			Cover, Pump	1
14	①		Valve, Inlet Needle	1
15	①		Spring, Metering Lever	1
16	①		Lever, Metering	1
17	①		Pin	1
18			Cover, Metering Chamber	1
19			Spring, Adjust Screw	1

ITEM NO.	STK. CODE	PART NUMBER	DESCRIPTION	UNITS PER ASY.
20			Screw, Main Mixture	1
21			Screw, Idle Mixture	1
22			Screw, Throttle Adjust	1
23			Spring, Friction	1
24			Shaft Assembly, Choke	1
25			Valve, Choke	1
26			Screw, Pin	1
27			Screw, Throttle Valve	1
28			Screw, Choke Valve	1
29			Screw, Metering Chamber	2
30			Screw, Pump Cover	1
31			Ball, Steel	1
32			E-Ring, Throttle Shaft	1

NOTE: Items are shown for identification and disassembly sequence purposes only. Components are not available separately unless a part number is listed before the part description.

- ① 301041 Kit, Carburetor Repair RB-39
- ② 301042 Kit, Gasket/Diaphragm GND-35

NOTE: Zama repair kits may contain additional components not relative to this unit. Always identify the part being replaced before installation. Discard any additional parts not shown above.

McCULLOCH®



• MANUFACTURING • SALES • SERVICE •

P.O. Box 11990 Tucson, AZ 85734

**TO ANSWER SERVICE-RELATED
QUESTIONS AND TO SOLVE
COMMON CONSUMER PROBLEMS
QUICKLY, CALL THIS TOLL-FREE
HOT LINE:**

1-800-423-6302

IF LOCATED IN ARIZONA, CALL:

1-800-221-6507