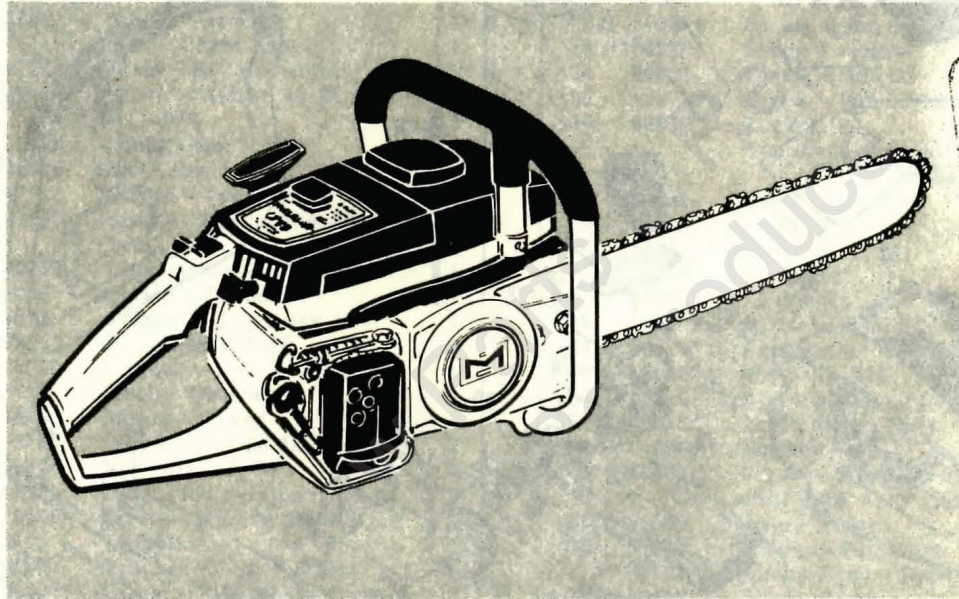


CP 70L CHAIN SAW

MODEL NO. 600441 SERIAL NOS. PREFIXED 10-

ILLUSTRATED PARTS LIST



October 1970

The policy of McCulloch Corporation is one of continual improvement in design, manufacturing and engineering advancement wherever possible to assure still finer two-cycle power tools. Hence, specifications, equipment, colors, design and manufacturer's suggested list prices are subject to change without notice and McCulloch Corporation reserves the right to make such changes without prior notification or obligation to backfit or supply backfit components for units previously shipped from the factory.

| | Page |
|--|------|
| Figure 1. General | 2 |
| Figure 2. Fan Housing & Starter Assemblies | 4 |
| Figure 3. Fuel Tank Assembly | 4 |
| Figure 4. Carburetor Assembly | 6 |
| Figure 5. Flywheel & Ignition System | 8 |
| Figure 6. Powerhead & Oiler Assemblies | 10 |



McCULLOCH

CP 70L

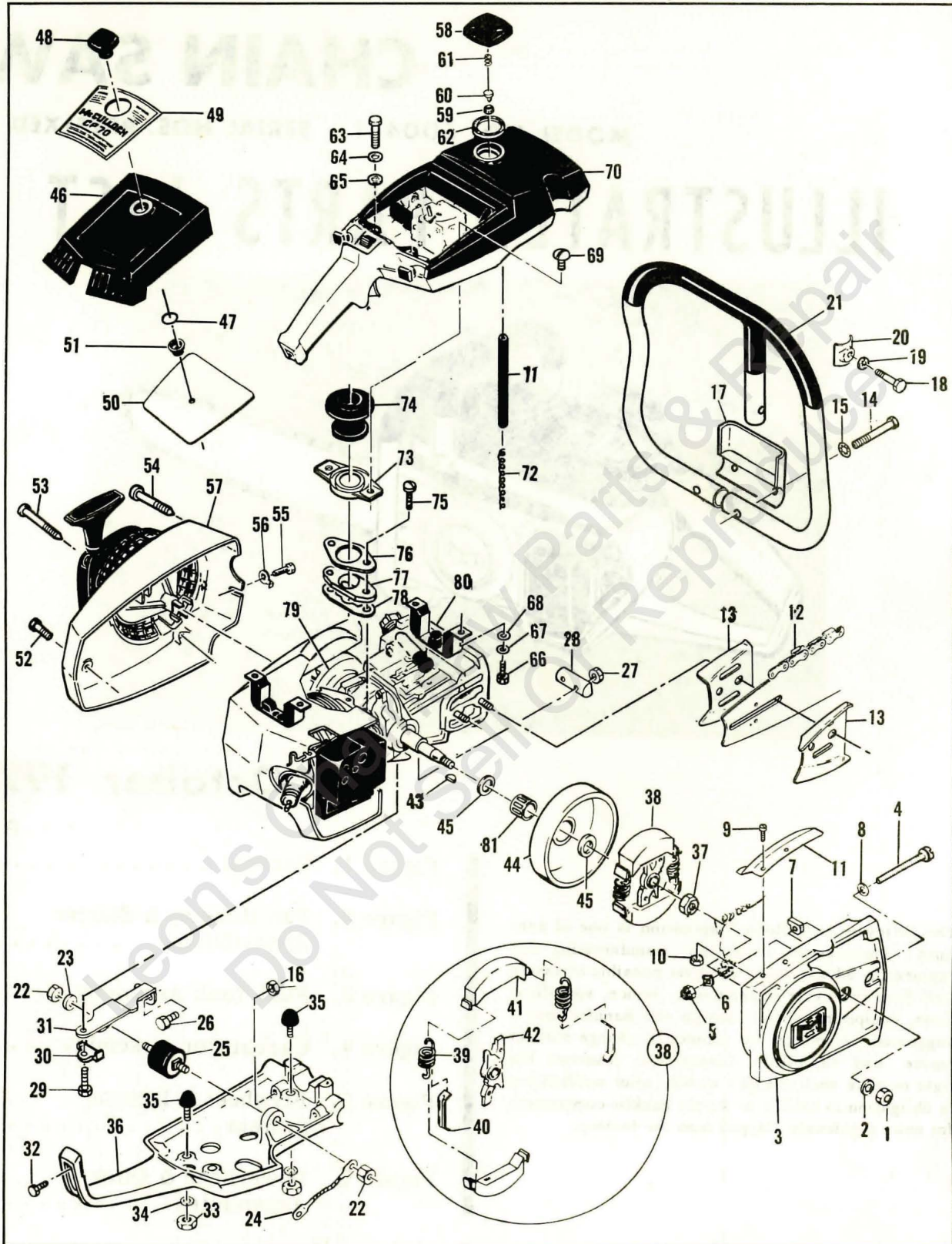


Figure 1. General

FIGURE 1. GENERAL

| Item No. | Part Number | Description | Units Per Assy | Item No. | Part Number | Description | Units Per Assy |
|----------|-------------|-------------------------------|----------------|----------|-------------|---|----------------|
| 1 | 110454 | Nut - Hex 5/16-24 | 2 | 42 | 62204C | Rotor - Clutch | 1 |
| 2 | 100440 | Washer - 5/16 | 2 | 43 | 103879 | Key - Woodruff | 1 |
| 3 | 84530 | Clutch Guard Assy | 1 | 44 | 65370 | Kit - Sprocket & Drum | 1 |
| 4 | 102144 | Screw - Bar adjusting | 1 | 45 | 61692 | Shim - Sprocket | 2 |
| 5 | 102067 | Nut - Hex 10-24 | 1 | 46 | 69840 | Cover Assy - Air cleaner | 1 |
| 6 | 110387 | Washer - Wavey | 1 | 47 | 110565 | Ring - Retaining | 1 |
| 7 | 61705 | Nut - Bar adjusting | 1 | 48 | 68529 | Knob - Cover | 1 |
| 8 | 110264 | Washer - 3/16 | 1 | 49 | 83460 | Nameplate | 1 |
| 9 | 110385 | Screw - Pan hd 8/32 x 3/8 | 2 | 50 | 69845 | Filter Assy - Air | 1 |
| 10 | 100955 | Nut - Hex 8-32 | 2 | 51 | 68528 | Grommet | 1 |
| 11 | 83064 | Guard - Sawdust | 1 | 52 | 110684 | Screw - Pan hd 10-24 x 3/8 | 1 |
| 12 | | Bar & Chain Assy | 1 | 53 | 62978 | Screw - Special | 1 |
| 13 | 64325 | Plate - Bar protector | 2 | 54 | 69954 | Screw - Special | 1 |
| 14 | 102433 | Screw - Hex hd 10-24 x 1-5/8 | 2 | 55 | 102762 | Screw - Hex hd 10-24 x 1/2 | 1 |
| 15 | 101194 | Lockwasher - #10 | 2 | 56 | 69890 | Lockplate | 1 |
| 16 | 101326 | Nut - Hex 10-24 | 2 | 57 | | Fan Housing & Starter Assy (See Figure 2) | |
| 17 | 84798 | Clamp - Frame | 1 | 58 | 68531 | Cap Assy - Fuel | 1 |
| 18 | 102130 | Screw - Hex hd 1/4-20 x 1-1/2 | 1 | 59 | 68533 | Plug | 1 |
| 19 | 100153 | Lockwasher - 1/4 | 1 | 60 | 63041 | Valve | 1 |
| 20 | 63484 | Clamp - Frame | 1 | 61 | 63040 | Spring | 1 |
| 21 | 84571 | Frame & Grip Assy | 1 | 62 | 69767 | Gasket | 1 |
| 22 | 103242 | Nut - Hex 1/4-20 | 2 | 63 | 102388 | Screw - Hex hd 10-24 x 5/8 | 2 |
| 23 | 100005 | Washer - 1/4 | 1 | 64 | 101194 | Lockwasher - #10 | 2 |
| 24 | 83828 | Strap - Ground | 1 | 65 | 100002 | Washer - #10 | 2 |
| 25 | 69589 | Mount - Lower | 1 | 66 | 102861 | Screw - Hex hd 1/4-20 x 5/8 | 2 |
| 26 | 102289 | Screw - Hex hd 10-24 x 3/4 | 2 | 67 | 100153 | Lockwasher - 1/4 | 2 |
| 27 | 101326 | Nut - Hex 10-24 | 2 | 68 | 100005 | Washer - 1/4 | 2 |
| 28 | 84639 | Plug - Nut retainer | 1 | 69 | 104071 | Screw - Pan hd 8-32 x 5/16 | 2 |
| 29 | 110566 | Screw - Hex hd 12-24 x 5/8 | 1 | 70 | | Fuel Tank Assy (See Figure 3) | |
| 30 | 68508 | Lockplate | 1 | 71 | 69598 | Line - Pulse | 1 |
| 31 | 84588 | Bracket - Lower mount | 1 | 72 | 67944 | Spring - Pulse line | 1 |
| 32 | 101977 | Screw - Fil hd 1/4-20 x 3/4 | 1 | 73 | 83122 | Clamp Assy - Upper boot | 1 |
| 33 | 105367 | Nut - Hex 10-24 | 3 | 74 | 69647 | Boot - Port | 1 |
| 34 | 100240 | Lockwasher - #10 | 3 | 75 | 104396 | Screw - Pan hd 10-24 x 3/4 | 2 |
| 35 | 83111 | Bumper | 3 | 76 | 69759 | Clamp - Boot | 1 |
| 36 | 84796 | Brace - Frame | 1 | 77 | 69646 | Insulator - Inlet | 1 |
| 37 | 110594 | Nut - Hex 3/8-24 | 1 | 78 | 69650 | Gasket - Insulator | 1 |
| 38 | 67544 | Clutch Assy | | 79 | | Flywheel & Ignition System (See Figure 5) | |
| 39 | 66384 | Spring - Clutch | 2 | 80 | | Powerhead & Oiler Assemblies (See Figure 6) | |
| 40 | 64583 | Retainer - Spring | 2 | 81 | 110330 | Bearing - Sprocket | 1 |
| 41 | 67233 | Shoe - Clutch | 2 | | | | |

SERVICE SPECIFICATIONS

Spark Plug Gap ----- 0.025 in.
 Lamination Gap ----- 0.010 to 0.015 in.
 Breaker Point Gap ----- 0.018 in.
 Carburetor Adjustment
 Idle Needle - Preliminary adjustment 1 turn open.
 Adjust for smooth idle and acceleration.
 Main Needle - Preliminary adjustment 1 turn open.
 Adjust for maximum power under load.
 Torque Values
 Flywheel Nut ----- 240 to 300 inch-pounds.
 Clutch Nut ----- 160 to 170 inch-pounds.
 Connecting Rod Screws ----- 65 to 70 inch-pounds.

CP 70L

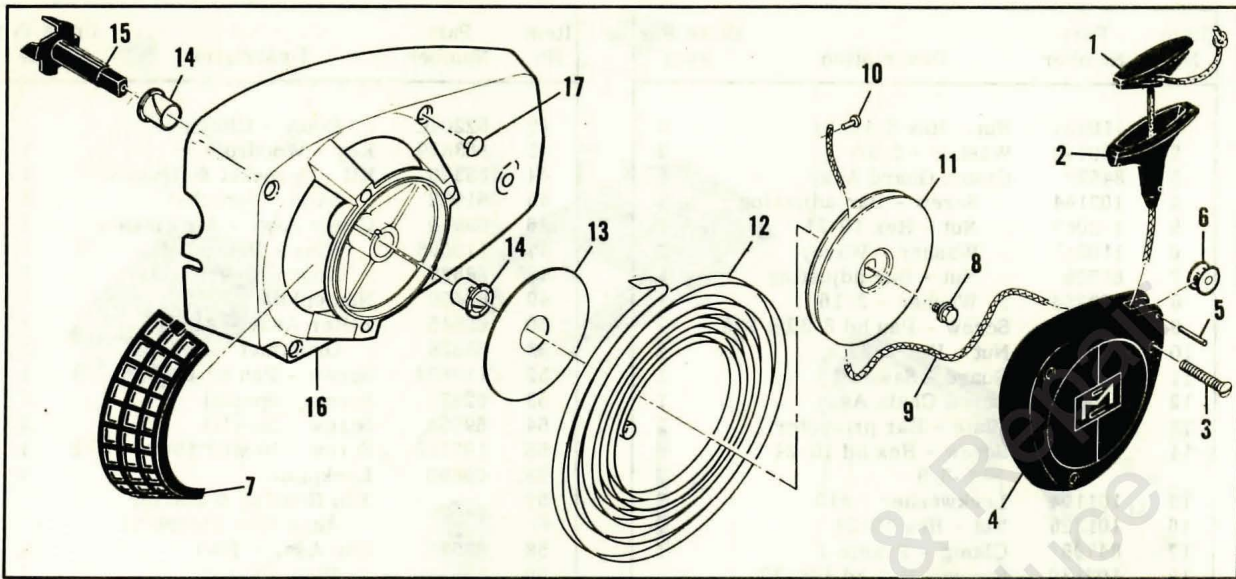


Figure 2. Fan Housing & Starter Assembly

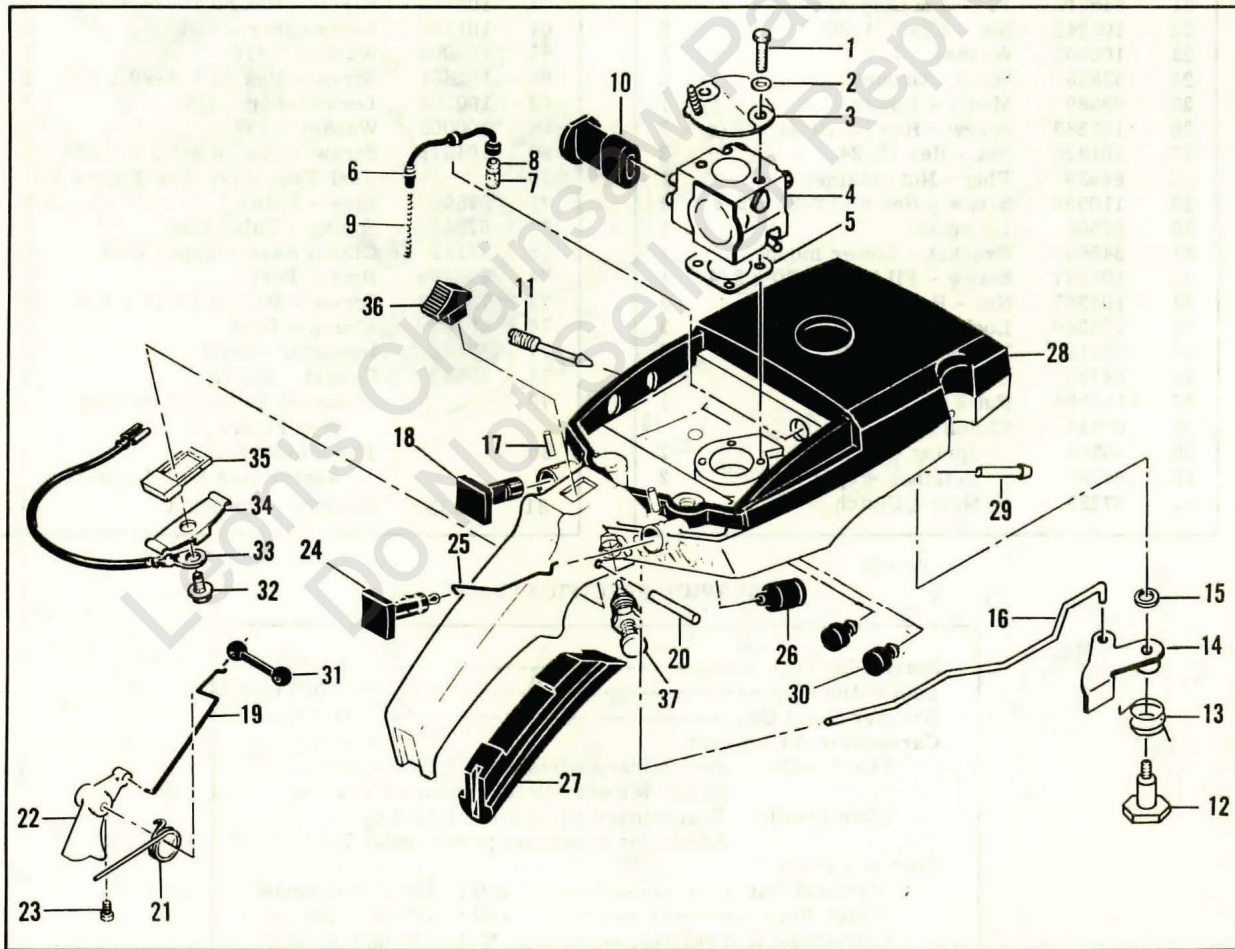


Figure 3. Fuel Tank Assembly

FIGURE 2. FAN HOUSING & STARTER ASSEMBLIES

| Item No. | Part Number | Description | Units Per Assy |
|----------|-------------|------------------------------|----------------|
| 1 | 62191A | Insert - Starter handle | 1 |
| 2 | 62190A | Handle - Starter | 1 |
| 3 | 110646 | Screw - Oval hd 8-32 x 1-1/8 | 3 |
| 4 | 84559 | Cover Assy - Starter | 1 |
| 5 | 110657 | . Pin - Roll | 1 |
| 6 | 84051 | . Pulley - Rope | 1 |
| 7 | 83598 | Guard - Sawdust | 3 |
| 8 | 110529 | Screw - Hex hd 10-24 x 1/2 | 1 |
| 9 | 69964 | Rope - Starter | 1 |

| Item No. | Part Number | Description | Units Per Assy |
|----------|-------------|-----------------|----------------|
| 10 | 110470 | Rivet - Rope | 1 |
| 11 | 83597 | Drum - Starter | 1 |
| 12 | 83334 | Spring - Rewind | 1 |
| 13 | 83994 | Shield - Spring | 1 |
| 14 | 57535 | Bushing - Shaft | 2 |
| 15 | 83748 | Shaft - Starter | 1 |
| 16 | 83958 | Housing - Fan | 1 |
| 17 | 110667 | Plug - Nylon | 1 |

FIGURE 3. FUEL TANK ASSEMBLY

| Item No. | Part Number | Description | Units Per Assy |
|----------|-------------|--------------------------------|----------------|
| 1 | 110551 | Screw - Hex hd 10-24 x 2-1/8 | 2 |
| 2 | 101194 | Lockwasher - #10 | 2 |
| 3 | 83204 | Bracket Assy | 1 |
| 4 | | Carburetor Assy (See Figure 4) | 1 |
| 5 | 83059 | Gasket - Carburetor | 1 |
| 6 | 64848 | Hose Assy - Fuel | 1 |
| 7 | 63932 | . Filter - Fuel | 1 |
| 8 | 100440 | . Washer | 1 |
| 9 | 67944 | Spring - Hose stiffener | 1 |
| 10 | 69629 | Boot - Carburetor mix | 1 |
| 11 | 67271 | Screw - Idle speed adjustment | 1 |
| 12 | 69594 | Pivot - Oiler lever | 1 |
| 13 | 69781 | Spring - Oiler lever | 1 |
| 14 | 69825 | Lever Assy - Oiler | 1 |
| 15 | 105048 | Washer - 3/16 | 1 |
| 16 | 69802 | Rod - Oiler | 1 |
| 17 | 105673 | Pin - Roll 3/32 x 9/16 | 2 |
| 18 | 63044 | Button - Oiler | 1 |

| Item No. | Part Number | Description | Units Per Assy |
|----------|-------------|----------------------------------|----------------|
| 19 | 69632 | Rod - Throttle | 1 |
| 20 | 110378 | Pin - Roll 3/16 x 15/16 | 1 |
| 21 | 65734 | Spring - Throttle return | 1 |
| 22 | 67224 | Trigger | 1 |
| 23 | 110537 | Screw - Fil hd 8-36 x 1/2 | 1 |
| 24 | 69630 | Button - Choke | 1 |
| 25 | 69631 | Rod - Choke | 1 |
| 26 | 69597 | Boot - Control rod | 2 |
| 27 | 64872 | Grip - Handle | 1 |
| 28 | 69807 | Tank Assy - Fuel | 1 |
| 29 | 69600 | . Nipple - Pulse line | 1 |
| 30 | 84272 | . Bumper - Mount | 2 |
| 31 | 69043 | Snubber - Rod | 1 |
| 32 | 103672 | Screw - Fil hd 8-32 x 1/2 (SEMS) | 1 |
| 33 | 83661 | Wire Assy - Stop switch | 1 |
| 34 | 62451 | Contact - Switch | 1 |
| 35 | 62950A | Base - Switch | 1 |
| 36 | 62951 | Button - Switch | 1 |
| 37 | 83051 | Lock Assy - Throttle | 1 |

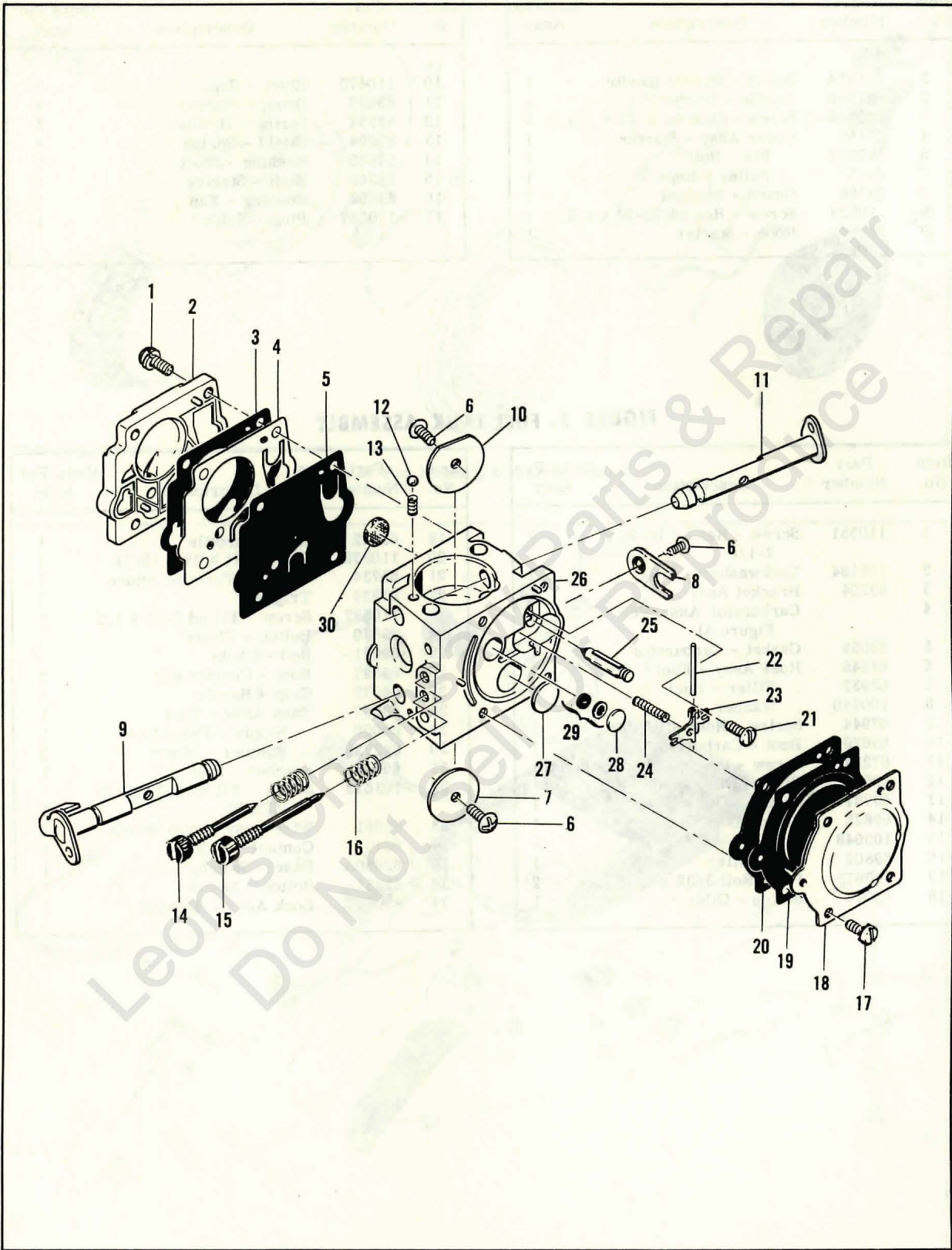


Figure 4. Carburetor Assembly

FIGURE 4. CARBURETOR ASSEMBLY

| Item No. | Part Number | Description | Units Per Assy | Item No. | Part Number | Description | Units Per Assy |
|----------|-------------|---------------------------|----------------|----------|-------------|-----------------------------|----------------|
| | 69942 | Carburetor Assy | 1 | 17 | 70798 | . Screw - Diaphragm | 4 |
| 1 | 67501 | . Screw - Pump cover | 4 | 18 | 83761 | . Cover - Diaphragm | 1 |
| 2 | 83760 | . Cover - Pump | 1 | 19 | *67499 | . Diaphragm - Metering | 1 |
| 3 | *67495 | . Gasket - Cover | 1 | 20 | *67496 | . Gasket - Diaphragm | 1 |
| 4 | *67498 | . Diaphragm - Check valve | 1 | 21 | *67500 | . Screw - Lever pin | 1 |
| 5 | *83114 | . Diaphragm - Fuel pump | 1 | 22 | *67508 | . Pin - Lever | 1 |
| 6 | *47690 | . Screw - Plate | 3 | 23 | *67509 | . Lever - Inlet | 1 |
| 7 | 83762 | . Plate - Throttle | 1 | 24 | *67503 | . Spring - Lever | 1 |
| 8 | 67489 | . Clip - Shaft | 1 | 25 | *67491 | . Valve - Needle | 1 |
| 9 | 67486 | . Shaft Assy - Throttle | 1 | 26 | 83759 | . Body Assy - Carburetor | 1 |
| 10 | 67490 | . Plate - Choke | 1 | 27 | *71690 | . . Plug - 3/8 | 1 |
| 11 | 67488 | . Shaft Assy - Choke | 1 | 28 | *69506 | . . Plug - 5/16 | 1 |
| 12 | *100302 | . Ball - Choke friction | 1 | 29 | 83758 | . . Kit - Valve & Seat Assy | 1 |
| 13 | *67504 | . Spring - Choke friction | 1 | 30 | *67507 | . . Screen - Fuel | 1 |
| 14 | *68104 | . Needle - High speed | 1 | | | | |
| 15 | *68105 | . Needle - Idle | 1 | | *67482 | Gasket Set | |
| 16 | *67502 | . Spring - Needle | 2 | | 83764 | Repair Kit | |

*Indicates parts included in Repair Kit, P/N 83764

Leon's Chainsaw Parts & Repairs
Do Not Sell Or Reproduce

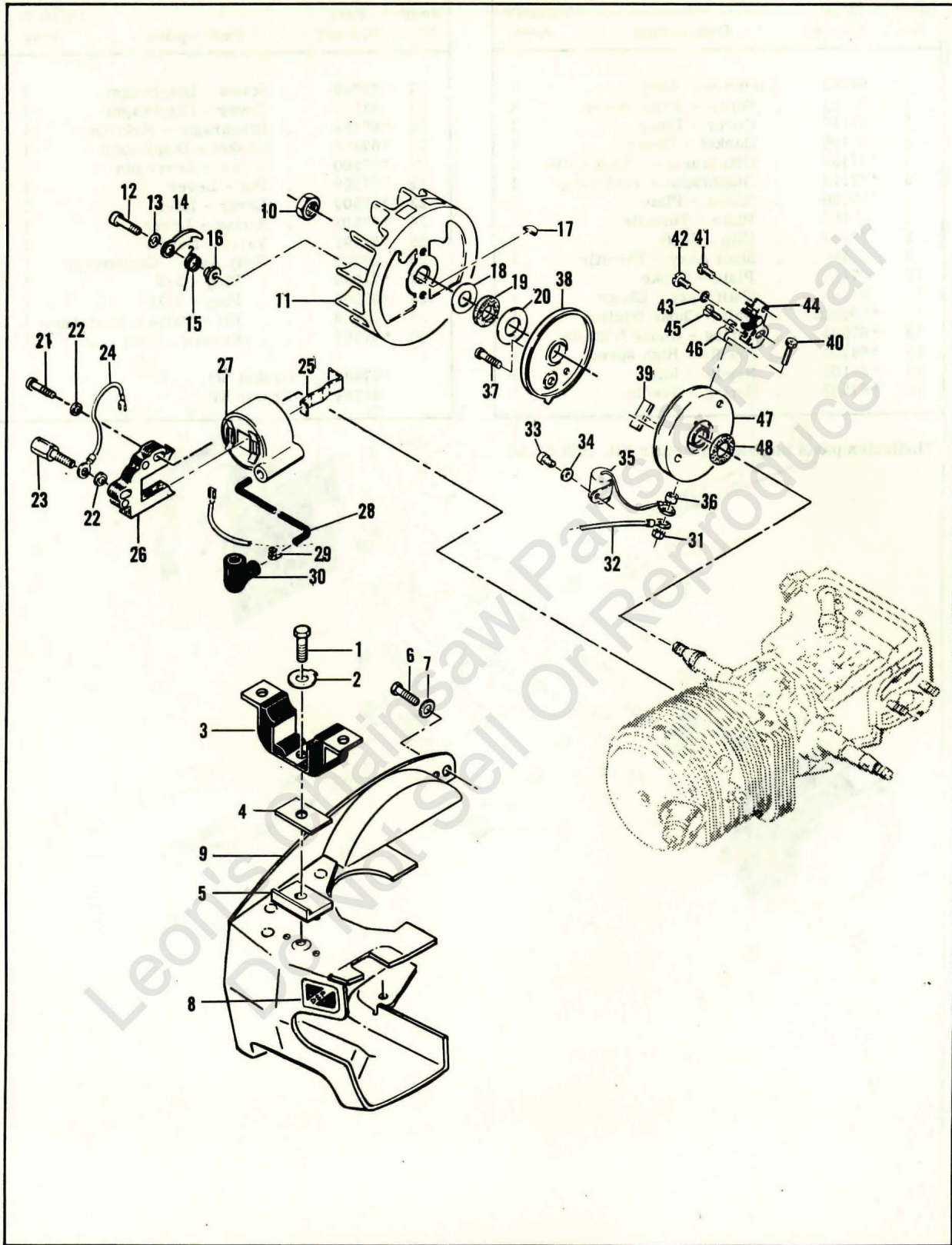


Figure 5. Flywheel & Ignition System

FIGURE 5. FLYWHEEL & IGNITION SYSTEM

| Item No. | Part Number | Description | Units Per Assy | Item No. | Part Number | Description | Units Per Assy |
|----------|-------------|------------------------------------|----------------|----------|-------------|-------------------------------------|----------------|
| 1 | 83811 | Screw - Special | 1 | 26 | 68164 | Lamination Assy | 1 |
| 2 | 69924 | Lockplate | 1 | 27 | 69798 | Coil & Terminal Assy | 1 |
| 3 | 69588 | Mount - Rear | 1 | 28 | 69966 | Wire Assy - Spark plug | 1 |
| 4 | 84246 | Insulator - Rear mount | 1 | 29 | 62932 | Connector - Spark plug | 1 |
| 5 | 84245 | Adaptor - Rear mount | 1 | 30 | 62926 | Boot - Spark plug | 1 |
| 6 | 102219 | Screw - Fil hd 8-32 x 1/4 | 1 | 31 | 100298 | Nut - Hex 6-32 | 1 |
| 7 | 100057 | Lockwasher - #8 | 1 | 32 | 69344 | Wire Assy - Primary | 1 |
| 8 | 84242 | Emblem - DSP | 1 | 33 | 103672 | Screw - Fil hd 8-32 x 1/2 (SEMS) | 1 |
| 9 | 69841 | Shroud Assy | 1 | 34 | 100080 | Washer - #8 | 1 |
| 10 | 101141 | Nut - Hex 3/8-24 | 1 | 35 | 67960 | Condenser | 1 |
| 11 | 67845 | Flywheel Assy | 1 | 36 | 62365 | Spacer - Breaker box | 1 |
| 12 | 102660 | Screw - Skt hd 10-24 x 7/8 | 2 | 37 | 110349 | Screw - Rd hd 8-32 x 3/4 | 1 |
| 13 | 83241 | Washer - Special | 2 | 38 | 62362 | Cover - Breaker box | 1 |
| 14 | 67546 | Pawl - Starter | 2 | 39 | 54184 | Wiper - Cam | 1 |
| 15 | 67545 | Spring - Pawl | 2 | 40 | 110346 | Screw - Hex hd 6-32 x 3/4 | 1 |
| 16 | 67547 | Pivot - Pawl | 2 | 41 | 100934 | Screw - Rd hd 8-32 x 3/8 | 1 |
| 17 | 103879 | Key - Woodruff | 1 | 42 | 110445 | Screw - Truss hd 8-32 x 3/8 | 1 |
| 18 | 67057 | Washer - Thrust | 1 | 43 | 105976 | Washer - #8 | 1 |
| 19 | 67056 | Seal - Breaker box cover | 1 | 44 | 66231 | Breaker Assy | 1 |
| 20 | 67054 | Washer - Thrust | 1 | 45 | 110489 | Screw - Pan hd 6-32 x 7/16 s/t | 1 |
| 21 | 103947 | Screw - Hex hd 10-24 x 1 (SEMS) | 1 | 46 | 83126 | Strap - Conduction | 1 |
| 22 | 100003 | Washer - #10 | 2 | 47 | 84329 | Box - Breaker | 1 |
| 23 | 83512 | Stud - Special | 1 | 48 | 67051 | Seal - Breaker box | 1 |
| 24 | 84686 | Wire Assy - Ground | 1 | | | | |
| 25 | 51253 | Retainer - Coil | 1 | | | | |

ACCESSORIES

| Part Number | Description |
|-------------|-----------------------------------|
| 69031 | Piston Assy - 0.020 in. over-size |
| 63291 | Ring Set - 0.020 in. over-size |
| 110590 | Bearing - Needle (2) |
| 69032 | Piston Assy - 0.030 in. over-size |
| 63292 | Ring Set - 0.030 in. over-size |
| 110590 | Bearing - Needle (2) |

| Part Number | Description |
|-------------|------------------------------------|
| 63097 | Spark Plug - AC CS 45T |
| 65778 | Spark Plug - AC CS 41T |
| 83560 | Frame & Grip Assy - Wrap-around |
| 63341A | Kit - Spike |
| 65712 | Guide - Timing |
| 65325 | Baffle - Spark arrester |
| 63746 | Scrench |
| 62827 | Wrench - Screwdriver |
| 83673 | Owner's Manual |

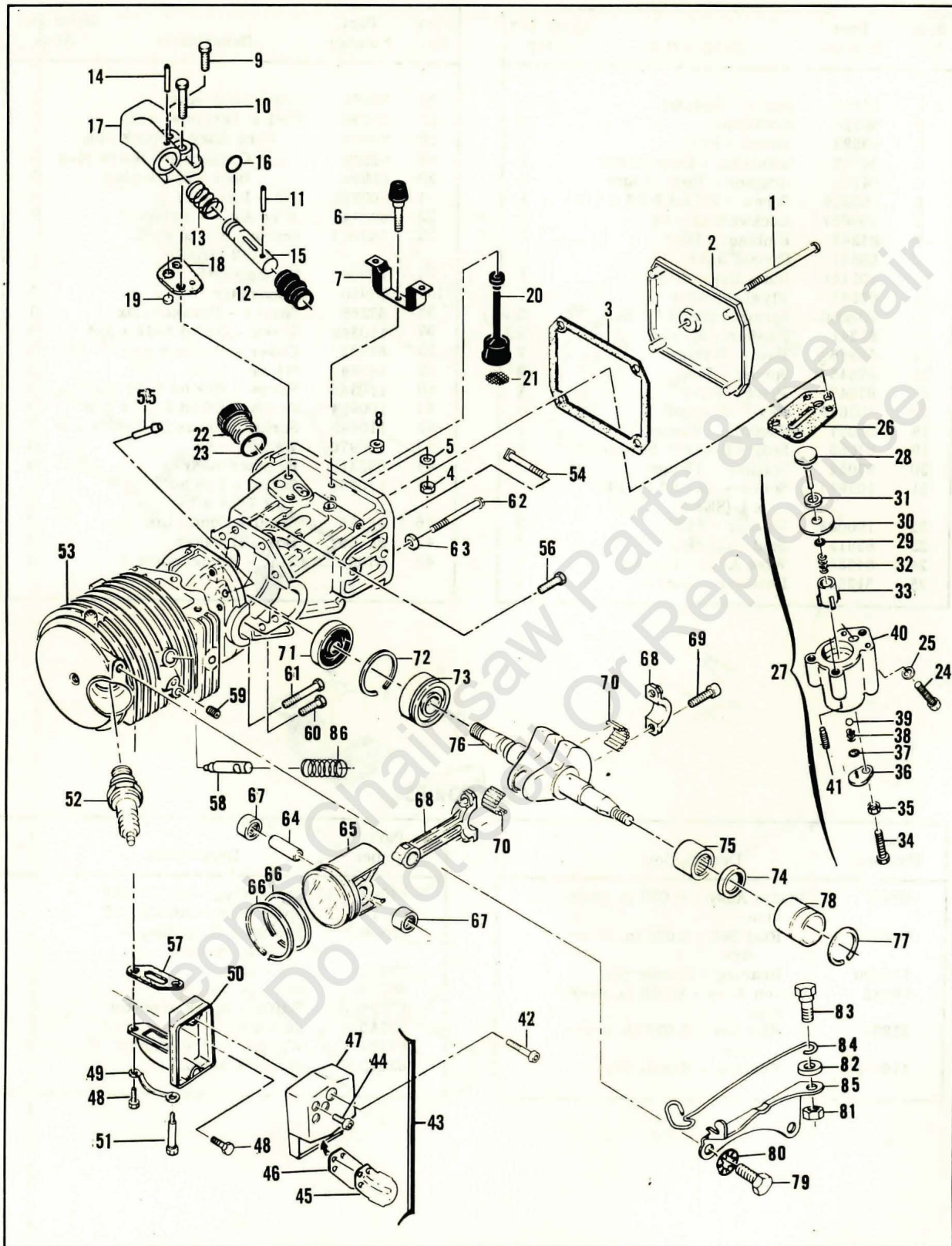


Figure 6. Powerhead & Oiler Assemblies

FIGURE 6. POWERHEAD & OILER ASSEMBLIES

| Item No. | Part Number | Description | Units Per Assy | Item No. | Part Number | Description | Units Per Assy |
|----------|-------------|-----------------------------------|----------------|----------|-------------|--------------------------------|----------------|
| 1 | 110291 | Screw - Pan hd 10-24 x 2-5/8 | 1 | 44 | 110472 | Screw - Skt hd 8-32 x 5/16 | 3 |
| 2 | 63072 | Cover - Oil tank | 1 | 45 | 83069 | Stop - Reed valve | 1 |
| 3 | 62116 | Gasket - Cover | 1 | 46 | 64785 | Valve - Reed | 1 |
| 4 | 101143 | Nut - Hex 1/4-20 | 1 | 47 | 65419 | Cover Assy - Spark arrester | 1 |
| 5 | 102523 | Washer - 1/4 | 1 | 48 | 84776 | Screw - Special | 2 |
| 6 | 69832 | Bumper - Front | 1 | 49 | 67922 | Lockplate | 1 |
| 7 | 69810 | Mount - Front | 1 | 50 | 83106 | Body and Duct Assy | 1 |
| 8 | 100955 | Nut - Hex 8-32 | 1 | 51 | 68187 | Screw - Special | 1 |
| 9 | 110623 | Screw - Fil hd 8-32 x 1/2 | 1 | 52 | 63432 | Spark Plug AC CS 42T | 1 |
| 10 | 105245 | Screw - Fil hd 8-32 x 1 (SEMS) | 1 | 53 | 84174 | Crankcase Assy | 1 |
| 11 | 105673 | Pin - Roll 3/32 x 9/16 | 1 | 54 | 62065 | Bolt - Bar mounting | 2 |
| 12 | 69586 | Boot - Plunger | 1 | 55 | 69600 | Nipple - Pulse line | 1 |
| 13 | 69585 | Spring - Plunger | 1 | 56 | 110288 | Screw - Hex hd 8-32 x 3/4 | 2 |
| 14 | 101556 | Pin - Roll 1/8 x 5/8 | 1 | 57 | 84007 | Gasket - Spark arrester | 1 |
| 15 | 69584 | Plunger - Pump | 1 | 58 | 84315 | Valve - D.S.P. | 1 |
| 16 | 101056 | "O" Ring | 1 | 59 | 105122 | Insert | 1 |
| 17 | 69582 | Body - Oil pump | 1 | 60 | 110288 | Screw - Hex hd 8-32 x 3/4 | 1 |
| 18 | 62230 | Gasket - Oil pump | 1 | 61 | 110618 | Screw - Hex hd 8-32 x 1-3/8 | 1 |
| 19 | 62909 | Valve - Oiler | 1 | 62 | 62105 | Screw Assy - Sealing | 4 |
| 20 | 62123B | Hose Assy - Oil | 1 | 63 | 62842 | Washer - Sealing | 4 |
| 21 | 51506 | Screen - Hose | 1 | 64 | 69020 | Pin - Piston | 1 |
| 22 | 68809 | Cap - Oil tank | 1 | 65 | 69030 | Piston Assy | 1 |
| 23 | 101148 | "O" Ring | 1 | 66 | 63290 | Ring Set - Piston | 1 |
| 24 | 102660 | Screw - Skt hd 10-24 x 7/8 | 1 | 67 | 110590 | Bearing - Needle | 2 |
| 25 | 24236 | Washer - Special | 1 | 68 | 83060 | Connecting Rod Assy | 1 |
| 26 | 83790 | Gasket - Pump | 1 | 69 | 61627A | Screw - Special | 2 |
| 27 | 83786 | Pump Assy - Pulse | 1 | 70 | 63225 | Roller (set of 20) | 1 |
| 28 | 60260A | Piston Assy - Pump | 1 | 71 | 61618 | Seal - Oil | 1 |
| 29 | 104001 | "O" Ring | 1 | 72 | 63464 | Ring - Snap | 1 |
| 30 | 60263 | Ring - Piston | 1 | 73 | 63429B | Bearing - Ball | 1 |
| 31 | 60937 | Washer - Teflon | 1 | 74 | 110260 | Seal - Oil | 1 |
| 32 | 60259 | Spring - Piston oiler | 1 | 75 | 104357 | Bearing - Needle | 1 |
| 33 | 62227 | Sleeve - Adjustment | 1 | 76 | 63336 | Crankshaft | 1 |
| 34 | 110386 | Screw - Hex hd 8-32 x 1 | 1 | 77 | 63699 | Ring - Bearing insert | 1 |
| 35 | 100251 | Nut - Hex 8-32 | 1 | 78 | 63701 | Insert - Bearing | 1 |
| 36 | 62407 | Cover - Outlet valve | 1 | 79 | 104738 | Screw - Hex hd 10-24 x 1/2 | 2 |
| 37 | 106104 | "O" Ring | 1 | 80 | 101194 | Lockwasher - #10 | 2 |
| 38 | 62885A | Spring - Outlet valve | 1 | 81 | 101191 | Nut - Hex 10-24 | 1 |
| 39 | 102809 | Ball - Outlet valve | 1 | 82 | 83076 | Spacer - Lever | 1 |
| 40 | 83787 | Body Assy - Pump | 1 | 83 | 83075 | Pivot - Lever | 1 |
| 41 | 110643 | Screw - Set 8-32 x 7/16 | 1 | 84 | 83074 | Lever - D.S.P. | 1 |
| 42 | 104560 | Screw - Skt hd 10-24 x 1-1/2 | 2 | 85 | 83072 | Bracket - D.S.P. | 1 |
| 43 | 65532 | Cover and Valve Assy | 1 | 86 | 83071 | Spring - D.S.P. valve | 1 |



McCULLOCH



● **MANUFACTURING** ● **SALES** ● **SERVICE** ●

McCULLOCH CORPORATION

6101 WEST CENTURY BLVD., LOS ANGELES, CALIFORNIA 90045

INTERNATIONAL DIVISIONS:

LOS ANGELES, CALIF., P. O. BOX 45466

HONG KONG, B. C. C.: G. P. O. BOX 879

McCULLOCH OF CANADA LTD.

6338 VISCOUNT ROAD, MALTON, ONTARIO, CANADA

McCULLOCH OF EUROPE, N. V.

ANTOON SPINOYSTRAAT, 5, B-2800 MECHELEN, BELGIUM

McCULLOCH OF AUSTRALIA PTY., LTD.

P.O. BOX 223, SEVEN HILLS, N.S.W. 2147, AUSTRALIA

Leon's Chain Saw Parts & Repair
Do Not Sell or Reproduce