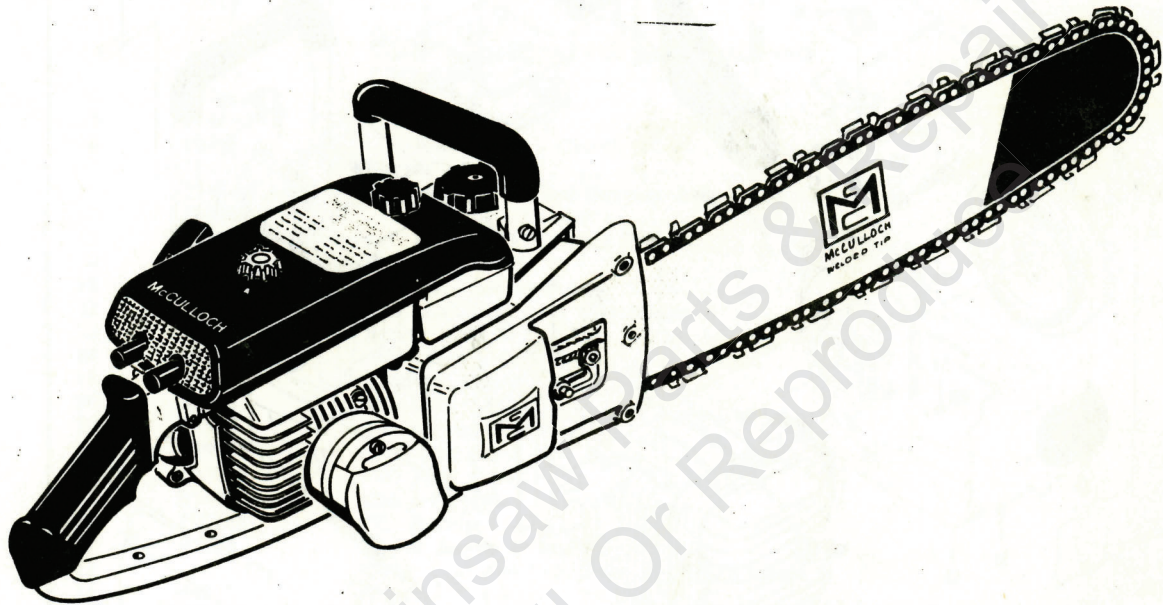


# Chain Saw

# MODEL 380A

# ILLUSTRATED PARTS LIST

JUNE 1963



The following pages contain an illustrated parts list for the Model 308A Chain Saw. Due to small differences between saws, it is important that the Serial Number of your saw be included whenever spare parts are ordered. This will assure receiving the proper parts from your dealer.

The McCulloch Corporation reserves the right to modify or change specifications without (1) prior notification or (2) obligation including the obligation to back-fit or supply back-fit components for units previously shipped from the factory.

	Page
Figure 1. Engine Exploded View - General . . . . .	2
Figure 2. Starter and Crankcase Cover Assemblies . . . . .	4
Figure 3. Oiler Tank and Fuel Tank Assemblies . . . . .	6
Figure 4. Cover and Airbox Assemblies . . . . .	8
Figure 5. Powerhead Assembly . . . . .	10
Figure 6. McCulloch Carburetor Assembly . . . . .	12
Figure 7. Clutch Guard - Bar and Chain Assembly . . . . .	14



**McCULLOCH CORPORATION**  
8101 West Century Boulevard,  
Los Angeles 45, California



FIGURE 1. ENGINE EXPLODED VIEW — GENERAL

Index No.	Part Number	Nomenclature	Units Per Assy
1	103729	Nut - Hex 3/8-24 . . . . .	2
2	100006	Washer - Plain 3/8 in. . . . .	2
3		Guard Assy - Clutch (See figure 7) . . . . .	1
4	102388	Screw - Hex hd 10-24 x 5/8 in. lg . . . . .	2
5	103100	Lockwasher - No. 10 internal . . . . .	2
	51966	Muffler Assy . . . . .	1
6	101191	. Nut - Hex 10-24 . . . . .	2
7	103361	. Screw - Fil hd 10-24 x 1-5/8 in. lg . . . . .	2
8	51979	. Top Assy - Muffler . . . . .	1
9	51968	. Baffle - Muffler . . . . .	1
10	51975	. Bottom Assy - Muffler . . . . .	1
11	53652	Gasket - Muffler . . . . .	1
12	103746	Nut - Flexloc . . . . .	1
13		Clutch, Sprocket, Drum and Bearing Assy . . . . .	1
	60315	Clutch Assy . . . . .	1
14	51468A	. Spring - Clutch . . . . .	1
15	51464A	. Shoe - Clutch . . . . .	4
16	60316	. Rotor Assy - Clutch . . . . .	1
17	103718	Spring - Thrust . . . . .	1
	51774B	Sprocket, Drum and Bearing Assy . . . . .	1
18	103688	. Bearing - Needle . . . . .	1
19	51775B	. Sprocket and Drum Assy . . . . .	1
20	103879	Key - Woodruff . . . . .	1
21	51420	Washer - Sprocket Assy . . . . .	1
22		Bar and Chain Assy (See figure 7) . . . . .	1
23	102356	Screw - Fil hd 1/4-20 x 7/8 in. lg . . . . .	3
24	101143	Nut - Hex 1/4-20 . . . . .	3
25	57133	Saddle - Frame . . . . .	3
26	50062	Insulator - Frame . . . . .	3
27	53559	Frame and Grip Assy . . . . .	1
28	55934B	Fuel Cap Assy . . . . .	1
29	101348	"O" Ring . . . . .	1
30	57129A	Cap - Oil filler . . . . .	1
31	101148	"O" Ring . . . . .	1
32	57565	Cover Assy - Spark plug . . . . .	1
33		Oiler Tank and Fuel Tank Assy (See figure 3) . . . . .	1
34	60251	Cover - Crankcase bottom . . . . .	1
35	58166A	Gasket - Bottom . . . . .	1
36	104815	Screw - Hex hd 10-24 x 7/8 in. lg (SEMS) . . . . .	4
37	101191	Nut - Hex 10-24 . . . . .	2
38	104815	Screw - Hex hd 10-24 x 7/8 in. lg (SEMS) . . . . .	3
39	101191	Nut - Hex 10-24 . . . . .	3
40	60130	Starter Assy (See figure 2) . . . . .	1
41	50581A	Guard - Sawdust . . . . .	1
	53488	Fan Housing Assy . . . . .	1
42	110055	. Screw - Hex hd 8-32 x 3/8 in. lg (SEMS) . . . . .	1
43	53490	. Wire Assy - Stop switch . . . . .	1
44	59592	. Contact - Switch . . . . .	1
45	59591	. Base - Switch . . . . .	1
46	57718	. Button - Switch . . . . .	1
47		. Housing - Fan . . . . . (Order Fan Housing Assy #53488)	1
48	101179	Nut - Hex 7/16 in. . . . .	1
49	101270	Washer - Special . . . . .	1
50	36144B	Pin - Starter pawl . . . . .	2
51	24093	Pawl - Starter . . . . .	2
52	50582	Spring - Pawl . . . . .	2
53	48785B	Flywheel Assy . . . . .	1
54	100199	Key - Woodruff . . . . .	1
55	102289	Screw - Hex hd 10-24 x 3/4 in. lg . . . . .	4
56	102189	Washer - Plain #10 . . . . .	3
57	55494	Screw - Sealing #10 . . . . .	2
58	57126A	Crankcase Cover Assy (See figure 2) . . . . .	1

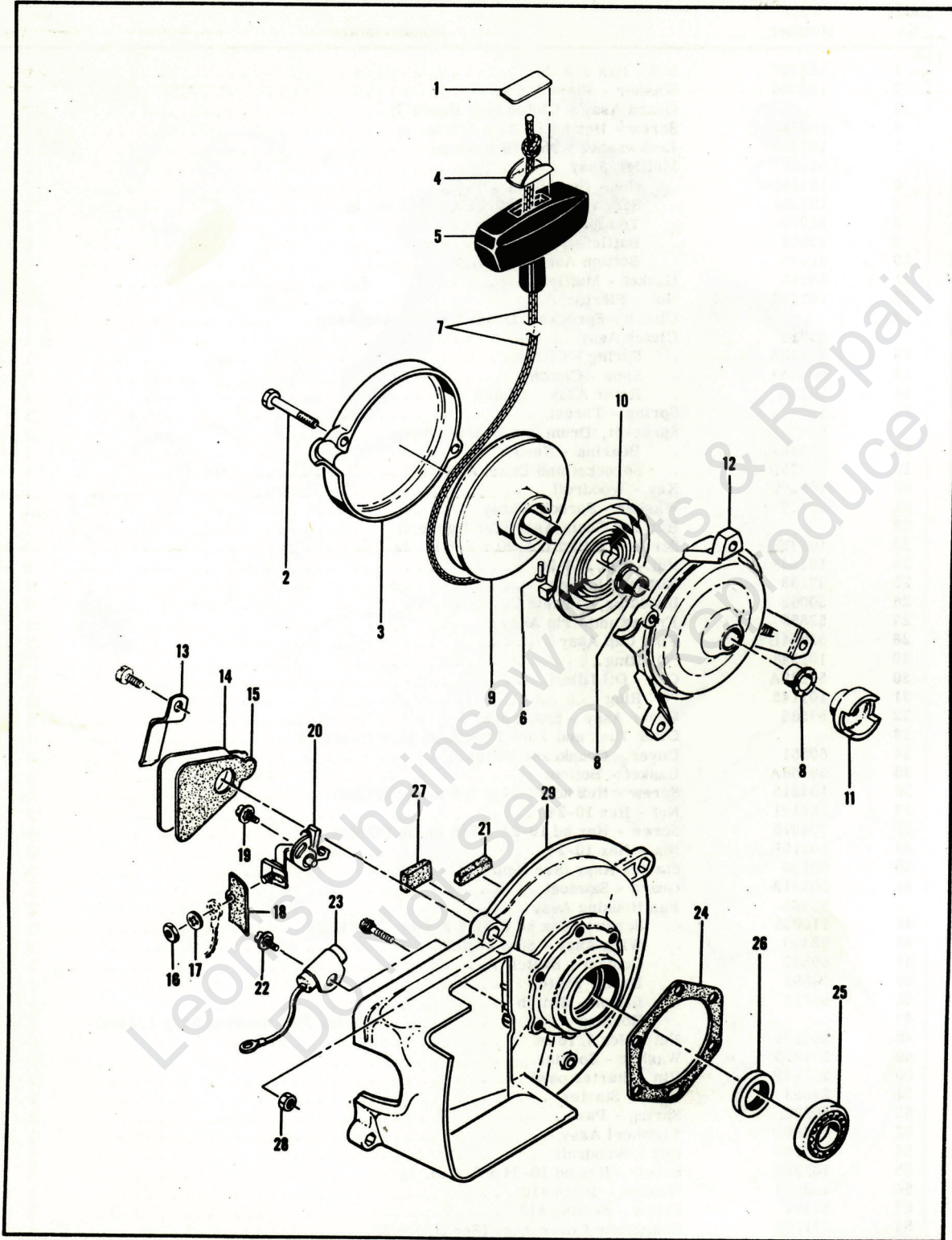


Figure 2. Starter and Crankcase Assemblies

FIGURE 1. ENGINE EXPLODED VIEW — GENERAL (CONT)

Index No.	Part Number	Nomenclature	Units Per Assy
59	100882	Screw - Hex hd 1/4-20 x 3/4 in. lg . . . . .	2
60	100004	Washer - Plain 1/4 in. . . . .	2
61	104435	Screw - Oval hd 10-24 x 1-3/4 in. lg . . . . .	1
62		Cover and Airbox Assy (See figure 4) . . . . .	1
63	110127	Screw - Hex hd 10-24 x 7/8 in. lg (SEMS) . . . . .	4
64	101191	Nut - 10-24 . . . . .	1
65	50041	Brace - Handle . . . . .	1
66		Reed Plate Assy (See figure 4) . . . . .	1
67	57657	Insulator - Reed plate . . . . .	1
68		Powerhead Assy (See figure 5) . . . . .	1

FIGURE 2. STARTER AND CRANKCASE COVER ASSEMBLIES

Index No.	Part Number	Nomenclature	Units Per Assy
1	57232	Plate - Starter handle . . . . .	1
	60130	Starter Assy . . . . .	1
2	104396	Screw - Pan hd 10-24 x 3/4 in. lg . . . . .	2
3	60647	Cover - Starter . . . . .	1
4	57231	Cup - Starter handle . . . . .	1
5	57230	Handle - Starter . . . . .	1
6	101136	Rivet . . . . .	1
7	28716	Rope - Starter . . . . .	1
8	57535	Bushing - Starter base . . . . .	2
9	57792	Drum - Starter . . . . .	1
10	51665	Spring - Rewind . . . . .	1
11	57790	Ratchet - Starter . . . . .	1
12	60646	Base - Starter . . . . .	1
13	50671	Retainer - Breaker box cover . . . . .	1
14	50588	Cover - Breaker box . . . . .	1
15	50589	Gasket - Breaker box . . . . .	1
16	100251	Nut - Hex 8-32 . . . . .	1
17	100057	Lockwasher - No. 8 internal . . . . .	1
18	50381A	Insulator - Breaker terminal . . . . .	1
19	103672	Screw - 8-32 x 1/2 in. lg (SEMS) . . . . .	1
20	50076A	Breaker Assy . . . . .	1
21	50664	Felt - Breaker box . . . . .	1
22	103672	Screw - 8-32 x 1/2 in. lg (SEMS) . . . . .	1
23	50074	Condenser . . . . .	1
24	51240	Gasket - Crankcase . . . . .	1
25	100824	Bearing - Ball . . . . .	1
	57126A	Crankcase Cover Assy . . . . .	1
26	50663	Seal - Oil . . . . .	1
27	54184	Wiper - Felt . . . . .	1
28	101326	Nut - Hex 10-24 . . . . .	2
29		Cover - Crankcase. . . . . (Order Crankcase Cover Assy #57126A)	1

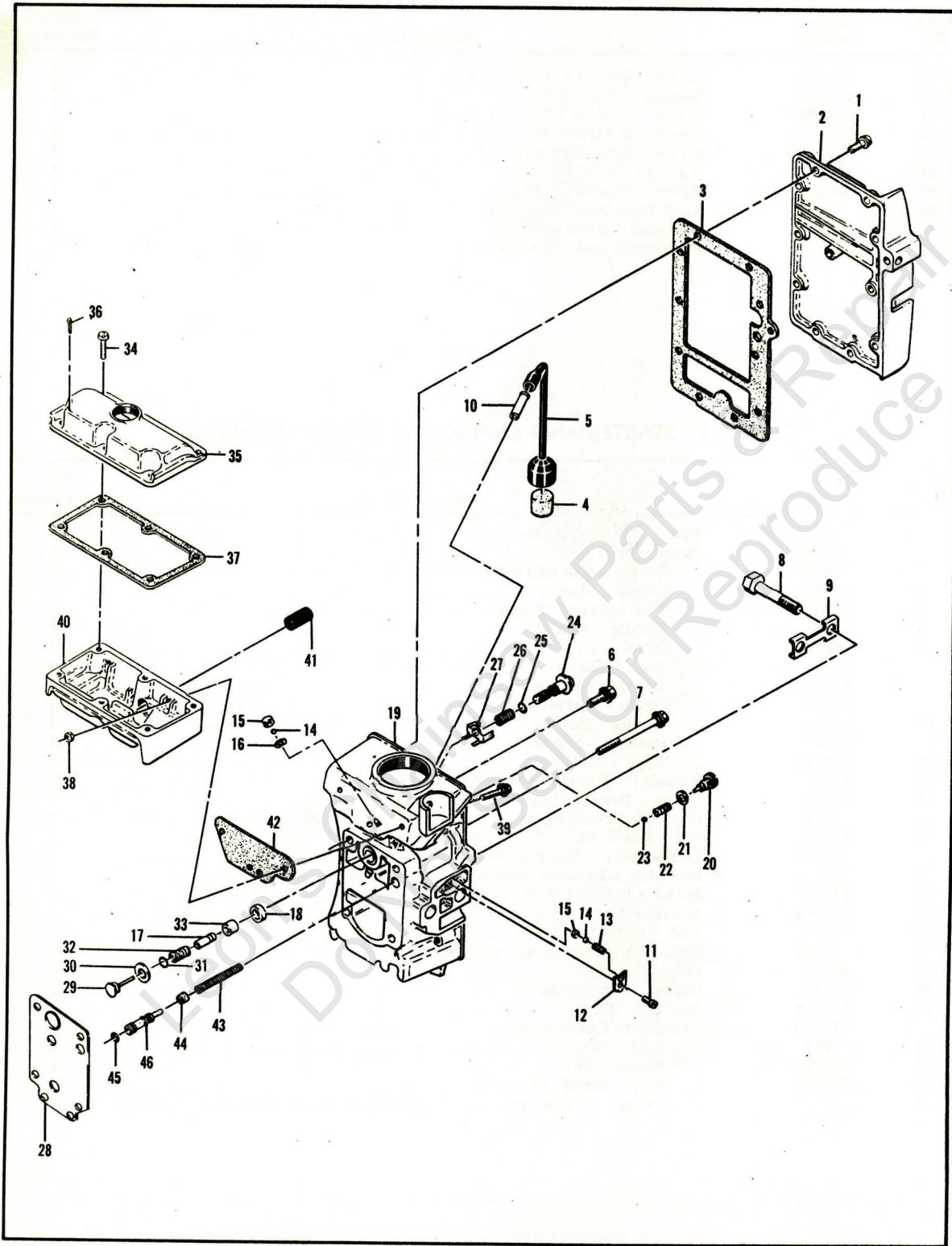


Figure 3. Oiler Tank and Fuel Tank Assemblies

FIGURE 3. OILER TANK AND FUEL TANK ASSEMBLIES

Index No.	Part Number	Nomenclature	Units Per Assy
1	104396	Screw - Pan hd 10-24 x 3/4 in. lg . . . . .	10
2	50514B	Cover - Fuel tank . . . . .	1
3	50034B	Basket - Fuel tank cover . . . . .	1
4	50124A	Filter - Fuel . . . . .	1
5	50082	Hose - Flex . . . . .	1
6	57840	Screw Assy - Sealing . . . . .	3
7	50569	Screw Assy - Sealing . . . . .	1
	60913	Fuel Tank Assy . . . . .	1
8	57217	. Bolt - Bar mounting . . . . .	2
9	51439	. Lockplate . . . . .	1
10	28042	. Tube - Fuel hose . . . . .	1
11	110055	. Screw - 8-32 x 3/8 in. lg (SEMS) . . . . .	1
12	51941	. Retainer . . . . .	1
13	60250	. Spring - Outlet valve . . . . .	1
14	100549	. Ball - Steel 3/16 in. diameter . . . . .	2
15	51943	. Seat - Outlet valve . . . . .	2
16	102466	. Ring - Snap . . . . .	1
17	60256	. Cylinder - Pulse oil pump . . . . .	1
18	60499	. Sleeve - Oiler pump . . . . .	1
19		. Tank - Fuel . . . . . (Order Fuel Tank Assy #60913)	1
20	60397	Screw - Fil hd special 8-32 x 1/4 in. lg . . . . .	1
21	60398	Washer - Flat . . . . .	1
22	60396	Spring - Ball check . . . . .	1
23	102809	Ball - Steel 3/32 in. diameter . . . . .	1
24	60604	Screw Assy - Adjusting . . . . .	1
25	104001	"O" Ring . . . . .	1
26	60220	Spring - Adjusting screw . . . . .	1
27	60605	Detent - Adjusting screw . . . . .	1
28	60601	Gasket - Pulse pump . . . . .	1
29	60260	Piston Assy - Pulse pump . . . . .	1
30	60263	Ring - Piston . . . . .	1
31	101758	"O" Ring . . . . .	1
32	60259	Spring - Piston . . . . .	1
33	60258	Sleeve - Adjusting . . . . .	1
34	104395	Screw - Pan hd 10-24 x 5/8 in. lg . . . . .	6
35	57114A	Cover - Oil tank . . . . .	1
36	100010	Pin - Cotter . . . . .	1
37	57152	Gasket - Oil tank cover . . . . .	1
38	101326	Nut - Hex 10-24 . . . . .	3
39	55494	Screw Assy - Sealing . . . . .	3
40	57112A	Tank - Oiler . . . . .	1
41	57279	Screen - Oiler . . . . .	1
42	57147	Gasket - Oiler tank . . . . .	1
43	18349A	Spring - Oiler piston . . . . .	1
44	24104A	Cup - Oiler piston . . . . .	1
45	101056	"O" Ring . . . . .	1
46	57148	Piston - Oiler . . . . .	1

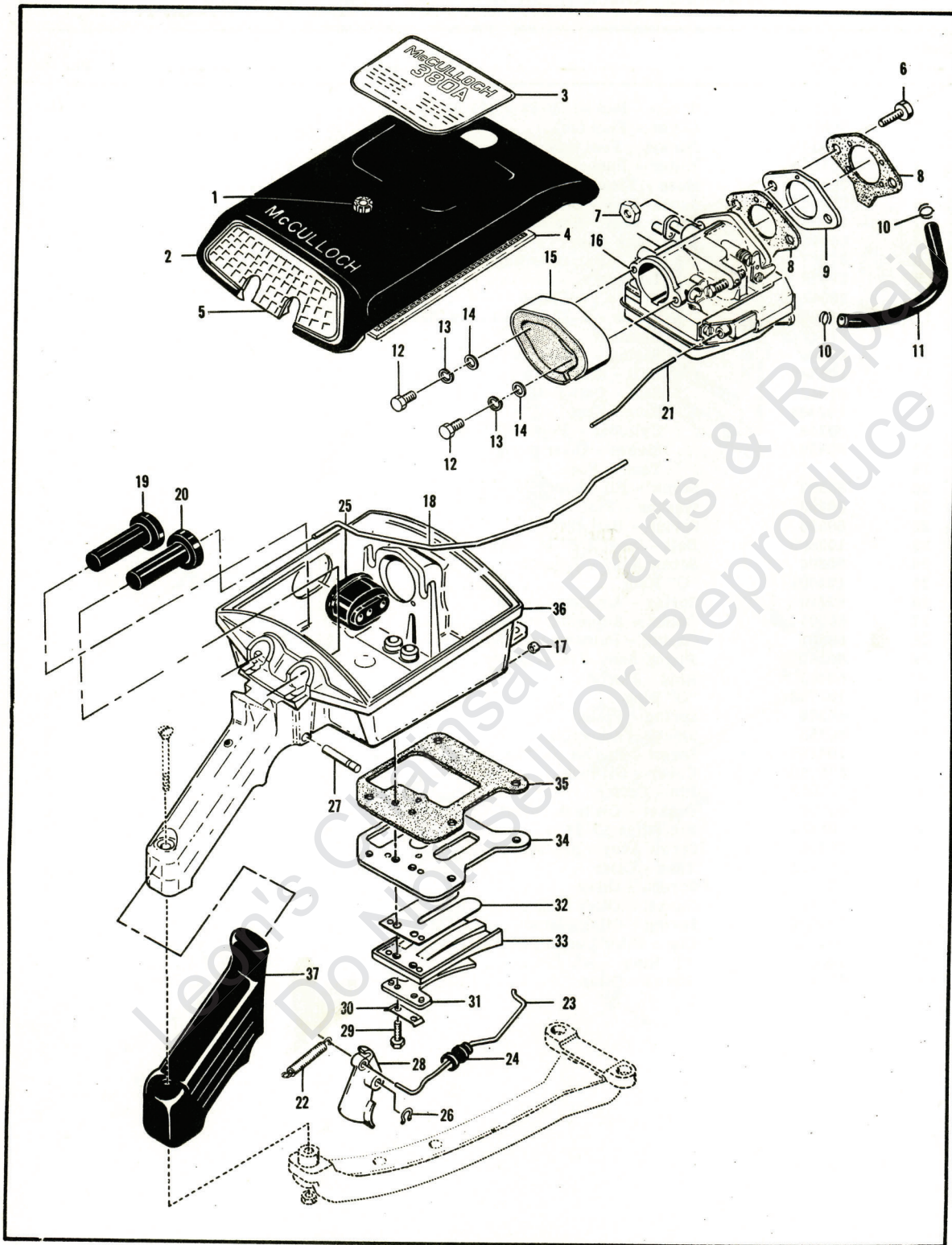


Figure 4. Cover and Airbox Assemblies



FIGURE 4. COVER AND AIRBOX ASSEMBLIES

Index No.	Part Number	Nomenclature	Units Per Assy
	60342	Cover Assy - Air cleaner . . . . .	1
1	60242	. Knob - Air cleaner cover . . . . .	1
2		. Cover - Air cleaner . . . . . (Order Assy #60342)	1
3	60895	Plate - Name . . . . .	1
4	55497	Screen - Air cleaner . . . . .	1
5	57218	Trim - Air cleaner cover . . . . .	1
6	60208	Screw - Hex hd 1/4-20 x 7/8 in. lg . . . . .	2
7	103242	Nut - Hex 10-24 . . . . .	2
8	50123B	Gasket - Carburetor . . . . .	2
9	53189	Adapter - Carburetor . . . . .	1
10	50742	Clamp - Fuel hose . . . . .	2
11	50097	Hose - Fuel . . . . .	1
12	103705	Screw - Hex hd 10-32 x 9/16 in. lg . . . . .	2
13	103174	Lockwasher No. 10 . . . . .	2
14	102189	Washer - Plain #10 . . . . .	2
15	58922	Collector Assy - Fuel . . . . .	1
16	58856B	Carburetor Assy (See figure 6) . . . . .	1
17	55449A	Seal - Oiler pushrod . . . . .	1
18	57866	Pushrod - Oiler . . . . .	1
19	50591B	Button - Oiler . . . . .	1
20	50591B	Button - Primer . . . . .	1
21	53589A	Pushrod - Primer . . . . .	1
	60497	Airbox Assy . . . . .	1
22	36499	. Spring - Throttle . . . . .	1
23	53279A	. Rod - Throttle . . . . .	1
24	60237	. Grommet - Throttle rod . . . . .	1
25	53277	. Grommet - Carburetor controls . . . . .	1
26	104501	Retainer - Trigger pin . . . . .	1
27	50507	Pin . . . . .	1
28	50091B	Trigger . . . . .	1
29	103740	. Screw - Hex hd 8-32 x 5/8 in. lg . . . . .	2
30	51480	. Plate - Lock . . . . .	1
31	57658	. Clamp - Reed . . . . .	1
32	58399	. Valve - Reed . . . . .	1
33	57654	. Deflector - Fuel . . . . .	1
34	57656B	. Plate - Reed . . . . .	1
35	57145	. Gasket - Airbox . . . . .	1
36		. Airbox . . . . . (Order Airbox Assy #60497)	1
37	50218A	Grip - Handle . . . . .	1

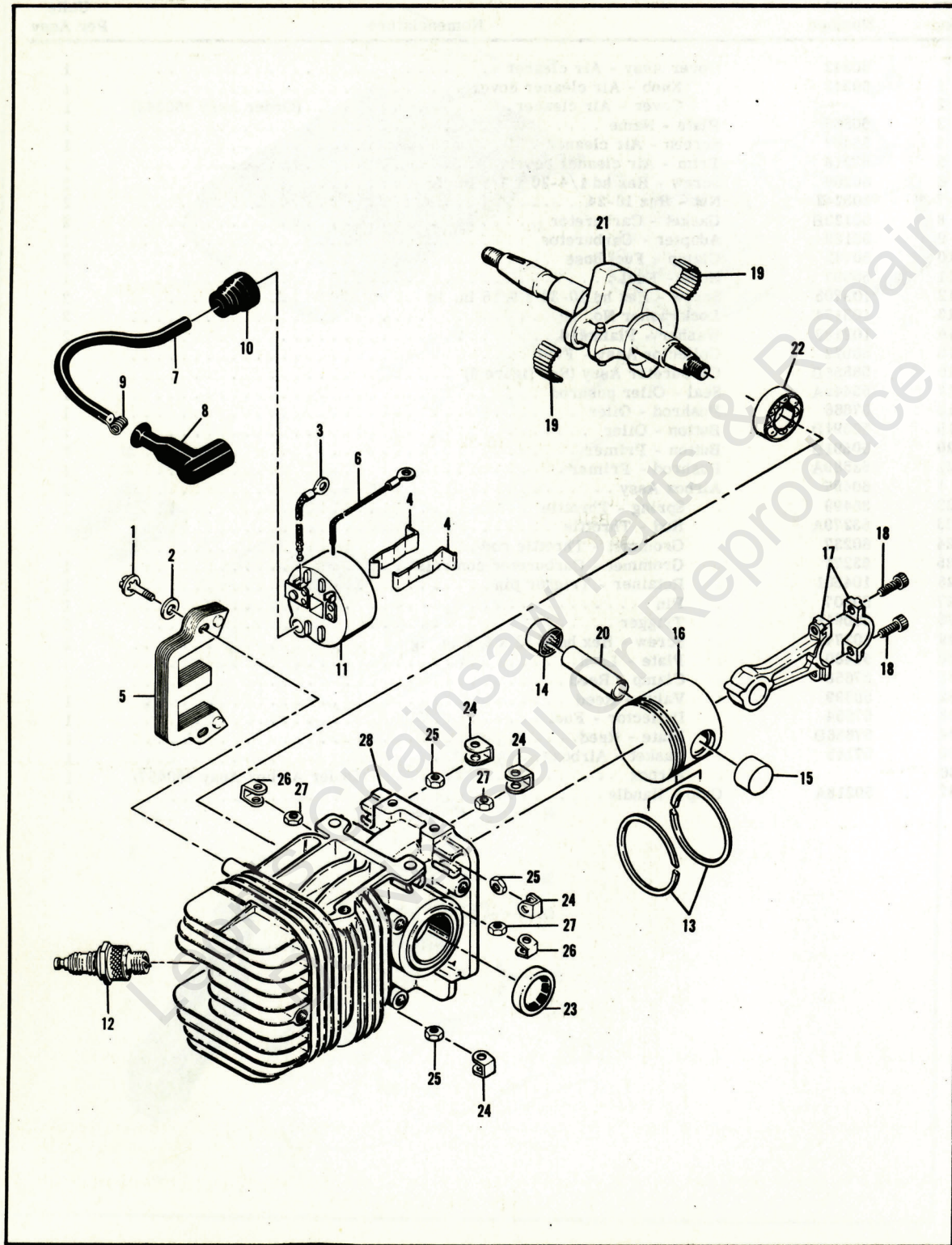


Figure 5. Powerhead Assembly

FIGURE 5. POWERHEAD ASSEMBLY

Index No.	Part Number	Nomenclature	Units Per Assy
1	101965	Screw - Fil hd 10-24 x 7/8 in. lg (SEMS)	2
2	100003	Washer - Plain #10	2
3	57225	Wire Assy - Primary	1
4	51253	Retainer - Coil	2
5	51251	Lamination Assy	1
	55949A	Coil and Terminal Assy	1
6	101883	Wire Assy - Ground	1
7	52547	Wire Assy - Spark plug	1
8	55060	Boot - Spark plug	1
9	55061	Connector	1
10	55617	Nipple - Spark plug wire	1
11		Coil Assy (Order Coil and Terminal Assy #55949A)	1
12		Spark Plug 14MM	1
	53941A	Piston Assy	1
13	55123	Ring Set - Piston	1
14	101206	Bearing	1
15	104378	Bearing (closed end)	1
16		Piston (Order Piston Assy #53941A)	1
17	47782A	Connecting Rod Assy	1
18	60210	Screw - Socket hd 10-32 x 5/8 in. lg	2
19	102742	Roller - Needle	24
20	58132	Pin - Piston	1
21	60313	Crankshaft	1
22	100824	Bearing - Ball	1
	53563	Crankcase Assy	1
23	104432	Seal - Oil	1
24	18556A	Retainer - Nut	6
25	101143	Nut - Hex 1/4-20	6
26	28053	Retainer - Nut	2
27	101326	Nut - Hex 10-24	2
28		Crankcase (Order Crankcase Assy #53563)	1

OVERSIZE PISTON ASSEMBLY

Part Number	Nomenclature	Units Per Assy
53942A	Piston Assy 0.010 in. oversize	1
55124	Ring Set 0.010 in. oversize	1
101206	Bearing	1
104378	Bearing (closed end)	1
53943A	Piston Assy 0.020 in. oversize	1
55125	Ring Set 0.020 in. oversize	1
101206	Bearing	1
104378	Bearing (closed end)	1
53944A	Piston Assy 0.030 in. oversize	1
55126	Ring Set 0.030 in. oversize	1
101206	Bearing	1
104378	Bearing (closed end)	1

MODEL  
380A

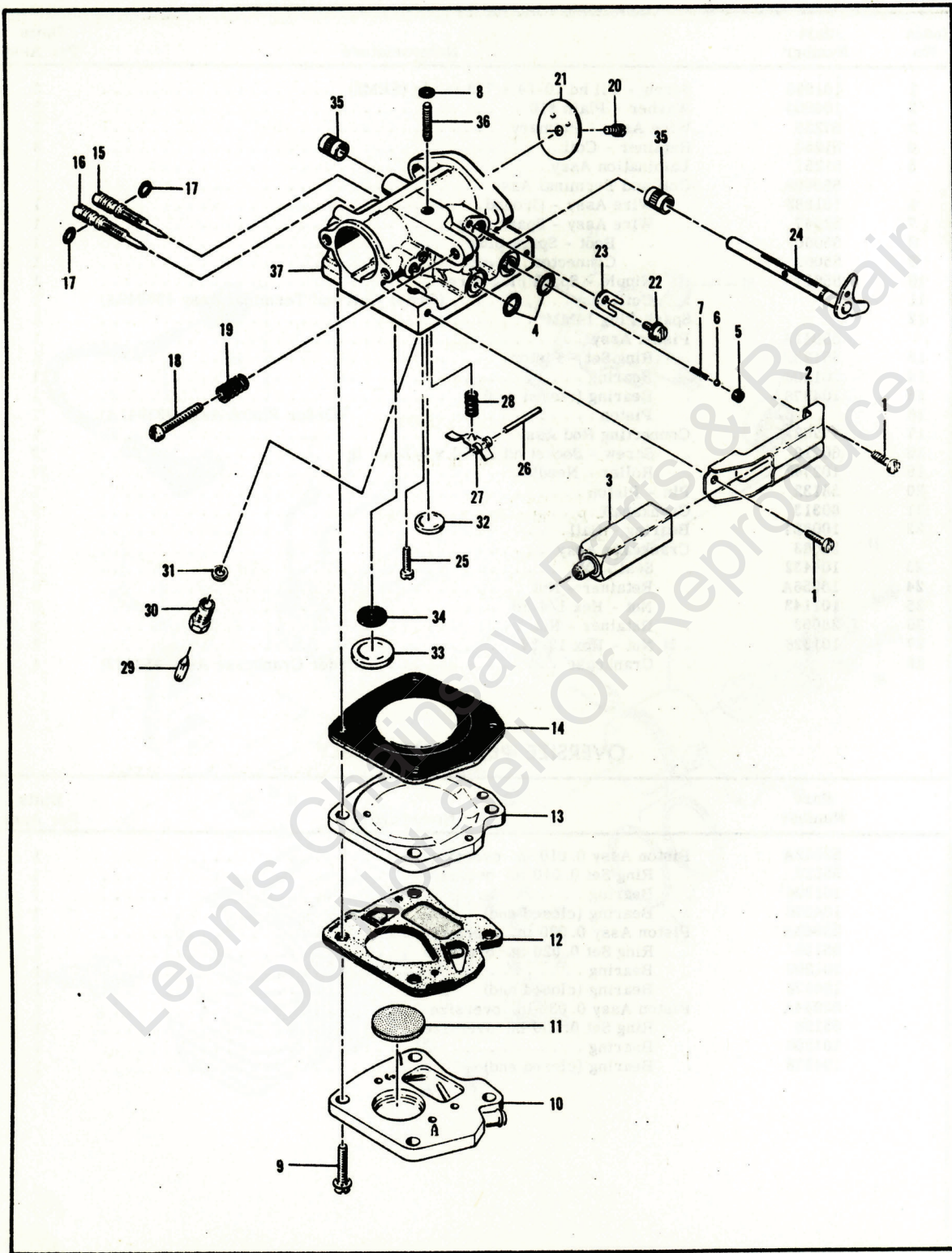


Figure 6. McCulloch Carburetor Assembly

FIGURE 6. McCULLOCH CARBURETOR ASSEMBLY

Index No.	Part Number	Nomenclature	Units Per Assy
	58856B	Carburetor Assy - McCulloch	1
1	110054	. Screw - Pan hd 6-32 x 3/8 in. lg	2
2	53440	. Bracket - Primer mounting	1
3	53449	. Primer Assy	1
4	101056	. "O" Ring	2
5	59480	. Seat - Primer valve	1
6	100302	. Ball - Steel 1/8 in. diameter	1
7	28754	. Spring - Primer	1
8	100283	. Grommet	1
9	104520	. Screw - 10-24 x 7/8 in. lg (SEMS)	4
10	58965	. Body Assy - Fuel pump	1
11	57277	. Filter - Fuel pump	1
12	57274A	. Diaphragm Assy - Fuel pump	1
13	48901	. Plate - Carburetor diaphragm	1
14	55067C	. Diaphragm - Carburetor	1
15	53948	. Needle - Idle adjustment	1
16	53311	. Needle - Main adjustment	1
17	104001	. "O" Ring	2
18	55397	. Screw - Fil hd 8-36 x 15/16 in. lg	1
19	51705	. Spring - Idle screw	1
20	104814	. Screw - 4.40 x 1/4 in. lg (SEMS)	1
21	53309	. Plate - Throttle	1
22	110055	. Screw - 8-32 x 3/8 in. lg (SEMS)	1
23	55082	. Clip - Shaft	1
24	53588A	. Shaft - Throttle	1
25	104164	. Screw - Pan hd 4-40 x 1/4 in. lg	1
26	104305	. Pin - Lever	1
27	55688	. Lever - Inlet control	1
28	57172	. Spring - Inlet control	1
29	59710	. Needle - Inlet control	1
30	58969	. Body - Needle	1
31	55689	. Washer - Valve	1
	58852	. Body Assy - Carburetor	1
32	102758	. Plug - Expansion 1/2 in.	1
33	104407	. Plug - Expansion 1 in.	1
34	55690B	. Seal - Capillary	1
35	55062A	. Bushing - Body	2
36	48611	. Stud	1
37		. Body (Order Body Assy #58852)	1

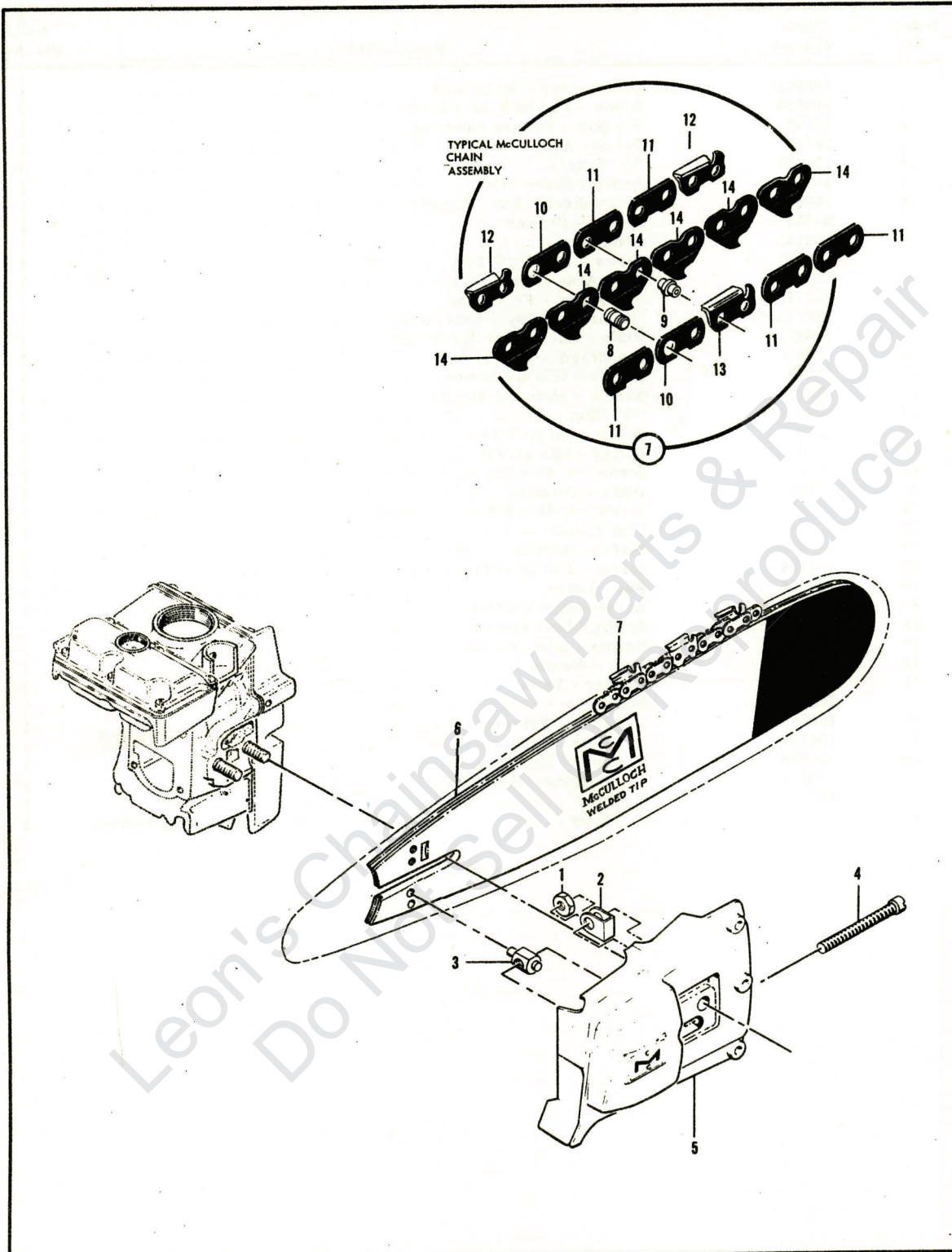


Figure 7. Clutch Guard - Bar and Chain Assemblies

FIGURE 7. CLUTCH GUARD — BAR AND CHAIN ASSEMBLIES

Index No.	Part Number	Nomenclature	Units Per Assy
	60133	Guard Assy - Clutch	1
1	100640	. Nut - Lock 1/4-28	1
2	18556A	. Retainer - Nut	1
3	52207C	. Nut - Bar adjusting	1
4	53853	. Screw - Fil hd 1/4-28 x 3-1/2 in. lg	1
5	60134	. Guard - Clutch	1
6	50361	Bar - Flame hardened - 12 in.	1
	51403B	Bar - Hard faced - 12 in.	1
	52551	Bar - Flame hardened - 18 in.	1
	51405A	Bar - Hard faced - 18 in.	1
	51407A	Bar - Hard faced - 24 in.	1
	51409A	Bar - Hard faced - 30 in.	1
	50607	Laminated Bar - Flame hardened - 12 in.	1
	50606	Laminated Bar - Hard faced - 12 in.	1
	50347	Laminated Bar - Flame hardened - 18 in.	1
	50346	Laminated Bar - Hard faced - 18 in.	1
	50348	Laminated Bar - Hard faced - 24 in.	1
7		Typical McCulloch Chain Assy	
8		. Master Pin	
9		. Rivet	
10		. Master Side Link	
11		. Side Link	
12		. Cutter - Left side	
13		. Cutter - Right side	
14		. Center Link	

TOOLS AND ACCESSORIES

Part Number	Nomenclature
*51445A	Wrench and Screwdriver Combination
*60306	Owner's Manual of Operating Instructions
51443	Spike
36248	Wrench - Spark plug
18413A	Feeler Gauge
102094	Chain Grinding Fixture
102449	McCulloch Yellow Paint (12 oz spray bomb type)
56409	McCulloch Oil (1 quart can)
56404	McCulloch Oil (12 oz can)
56224	Chain Breaker - Rivet spinner
56250	Depth Gauge - 0.025 - 0.040 in.
56251	Depth Gauge - 0.040 - 0.060 in.

\*Items furnished with each saw.