

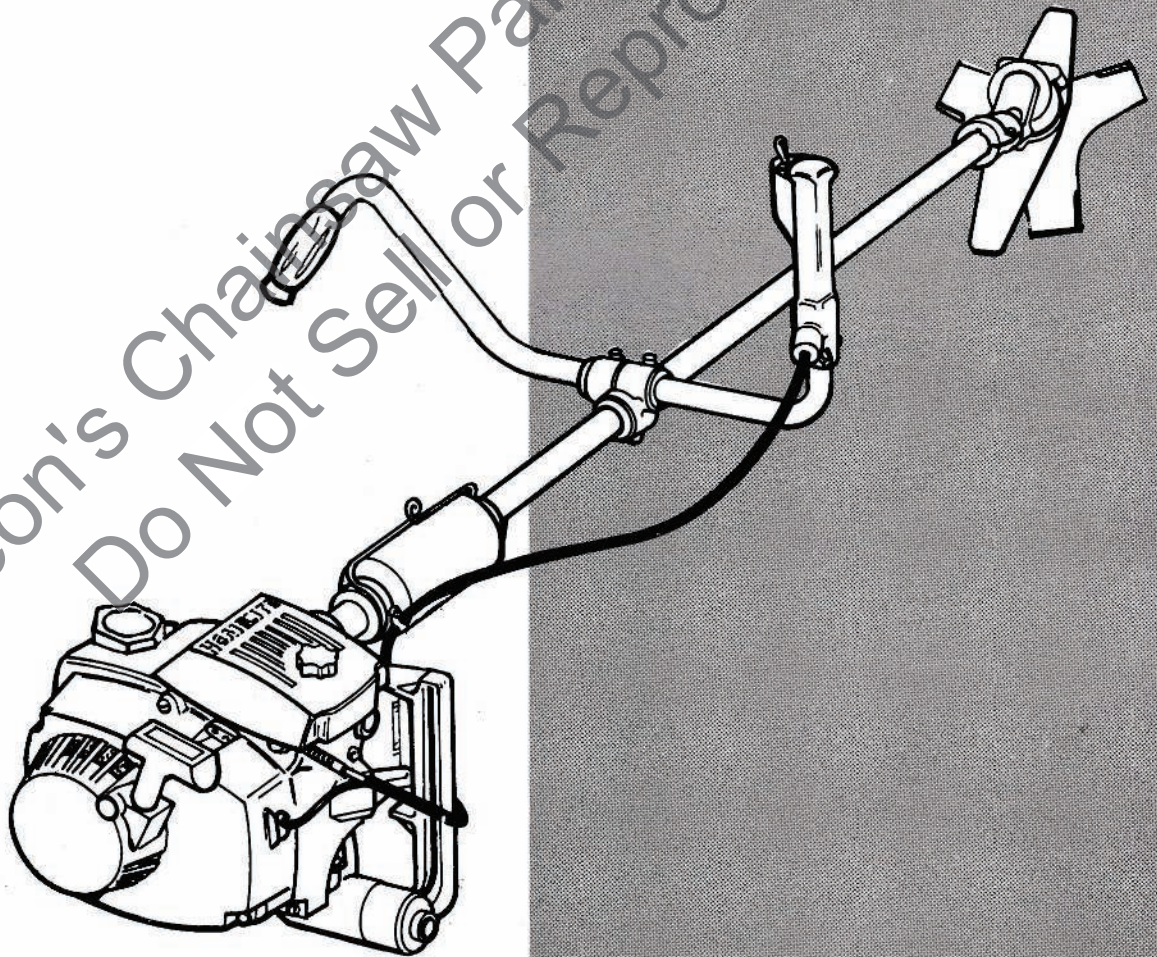
PARTS LIST

PRICE 35¢

# HOMELITE®

## BRUSHCUTTER

MODELS:  
XLBC-B &  
XLBC-4



Leon's Chainsaw Parts & Repair  
Do Not Sell or Reproduce

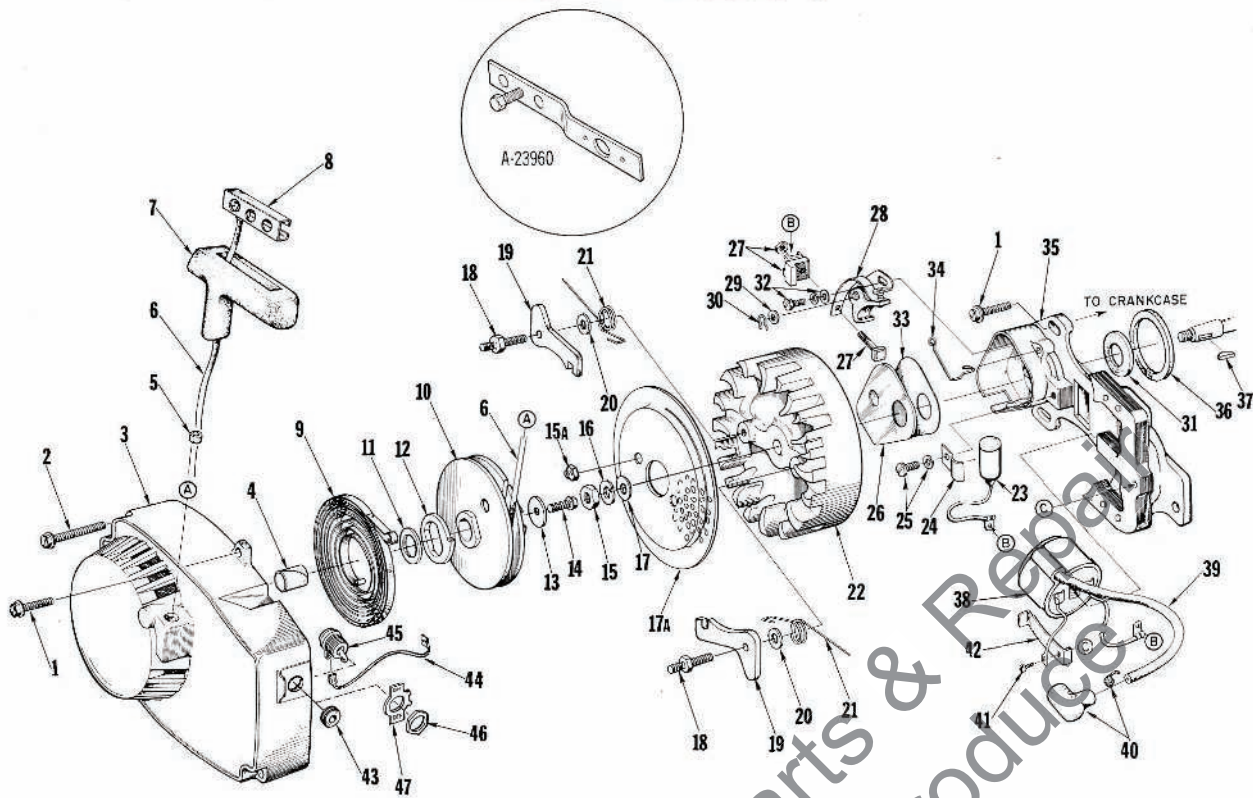
PART NO. 24190-A

**HOMELITE®**

EXTRON  
DIVISION  
PORT CHESTER, N.Y. U.S.A.



# XLBC-B XLBC-4



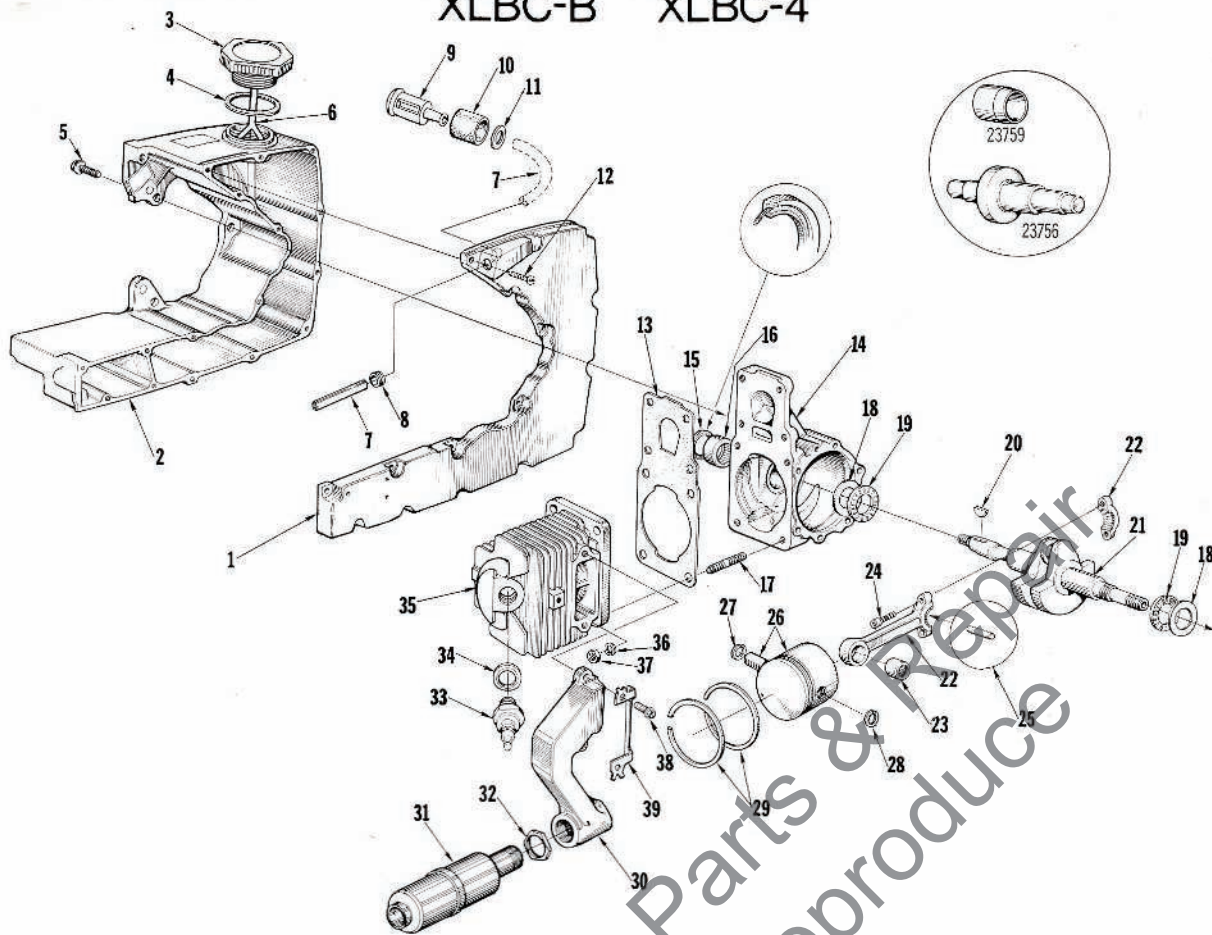
**FIGURE 1**

No.	Description	Part No.	Qty.	No.	Description	Part No.	Qty.
1	SCREW-hex, 12-24 x 5/8	80676	4	24	CLAMP-condenser	59622	1
2	SCREW-hex, 12-24 x 1 11/16	56968	3	25	SCREW GROUP-condenser	30261	1
3	FAN HOUSING	A-64518	1	26	COVER-breaker box	58811	1
4	Includes: BUSHING-starter post	64443	1	27	TERMINAL BLOCK GROUP	A-58934	1
5	BUSHING	67177	4	28	POINT SET-w/felt	A-58914	1
6	ROPE-starter	58806	1	29	Includes: WASHER-point	28028	1 or 2
7	GRIP-rope	58915	1	30	CLIP-point pivot post	28008	1
8	INSERT	58847	1	31	SEAL-felt	59760	1
9	SPRING-recoil	58764-A	1	32	SCREW GROUP-points	76421	1
10	PULLEY-starter	A-64446	1	33	GASKET-cover	58810	1
11	Includes: BUSHING-spring lock	64400	1	34	SPRING-cover	76413	1
12	LOCK-spring	64049-A	1	35	BOX-breaker	58875-A	1
13	WASHER-retaining	58763	1	36	GASKET	59538	1
14	SCREW-hex, 10-32 x 1/2	80648	1	37	KEY-rotor	75078	1
15	NUT-hex, 5/16-24	81117	1	38	COIL	58874	1
15A	NUT-hex lock, 10-32 (Note 1)	81109-2	2	39	LEAD-hi tension	65471	1
16	WASHER-lock, 5/16	83002	1	40	TERMINAL	A-33055	1
17	WASHER-flat, 5/16	84056	1	41	SCREW-coil ground	64090	1
17A	SCREEN-starter (Note 1)	58765	1	42	CLIP-coil retaining	63726	1
18	STUD-shoulder	58757-B	2	43	GROMMET	75036	1
19	PAWL-starter	58756	2	44	LEAD-ground w/terminals	‡A-59031	1
20	WASHER	58851	2	45	SWITCH-grounding	‡A-57650-3	1
21	SPRING-starter pawl	58758	2	46	Includes: NUT-hex	‡ 72084-A1	1
22	ROTOR-magneto	58809	1	47	PLATE-"On-Off"	‡ 72085-A	1
23	CONDENSER	63250	1				

Note 1 - XLBC-B units below Serial No. 3014217.

‡ For XLBC-B units below Serial No. 3486202

# XLBC-B    XLBC-4



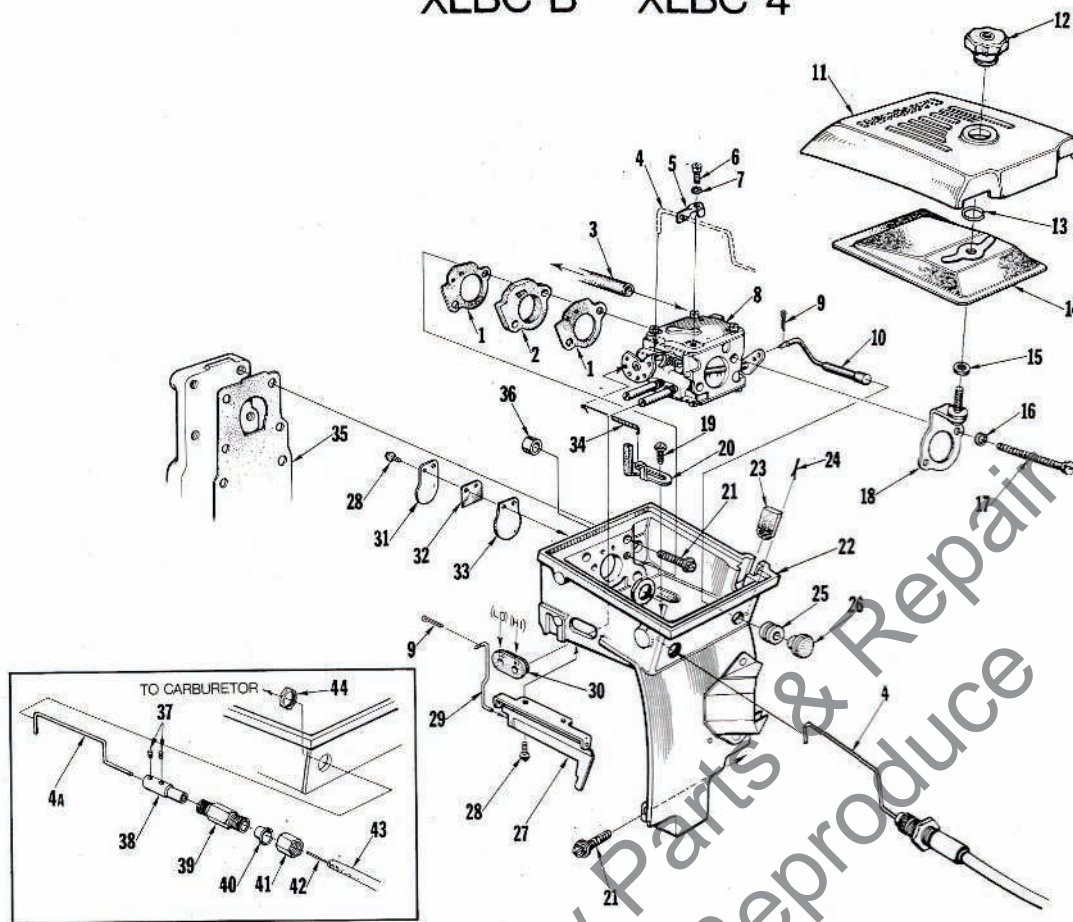
**FIGURE 2**

No.	Description	Part No.	Qty.	No.	Description	Part No.	Qty.
1	COVER-fuel tank	68141-2	1	20	KEY-rotor	75078	1
2	TANK-fuel & oil	A-68396	1	21	CRANKSHAFT	63497	1
	Includes:			22	CONNECTING ROD	A-63477	1
3	CAP-fuel filler	A-65283-A	1		Includes:		
	Includes:			23	BEARING	58724	1
4	GASKET	58957	1	24	SCREW-soc. hd., 8-32 x 1/2	80541	2
	VALVE-check (not shown)	63718	1	25	ROLLERS-set (31)	A-63496	1
5	SCREW-hex, 1/4-20 x 3/4	63407	3	26	PISTON & PIN	A-58903-C	1
6	RETAINER-fuel cap	68751	1	27	Includes: RING-retaining	75120	1
7	FUEL LINE-flexible	68155	1	28	RING-retaining	64813	1
8	GROMMET	68046	1	29	RING-piston	58877	2
9	FILTER ASSEMBLY	A-63920	1	*30	MANIFOLD	65401-1	1
	Includes: FILTER	64083-1	1	31	MUFFLER	59397-2	1
11	WASHER	64182	1	32	NUT-lock	59510	1
12	SCREW-rd. hd., #6 x 1/2	80513	16	33	SPARK PLUG	40190-S	1
13	GASKET	58513	1		Includes: GASKET	25038	1
14	CRANKCASE	A-58799-D	1	35	CYLINDER	58706-B2	1
	Includes: SEAL	58688-A	1	36	WASHER-lock, 1/4	83009	4
16	BEARING	58956	1	37	NUT-1/4-28	81065-2	4
17	STUD	55871	4	38	SCREW-hex, 12-24 x 3/4	82189	2
18	RACE-thrust bearing	58725	2	39	BRACKET-locking	64116-1	1
19	BEARING-needle thrust	58726	2				

\* Denotes new parts



# XLBC-B    XLBC-4



**FIGURE 3**

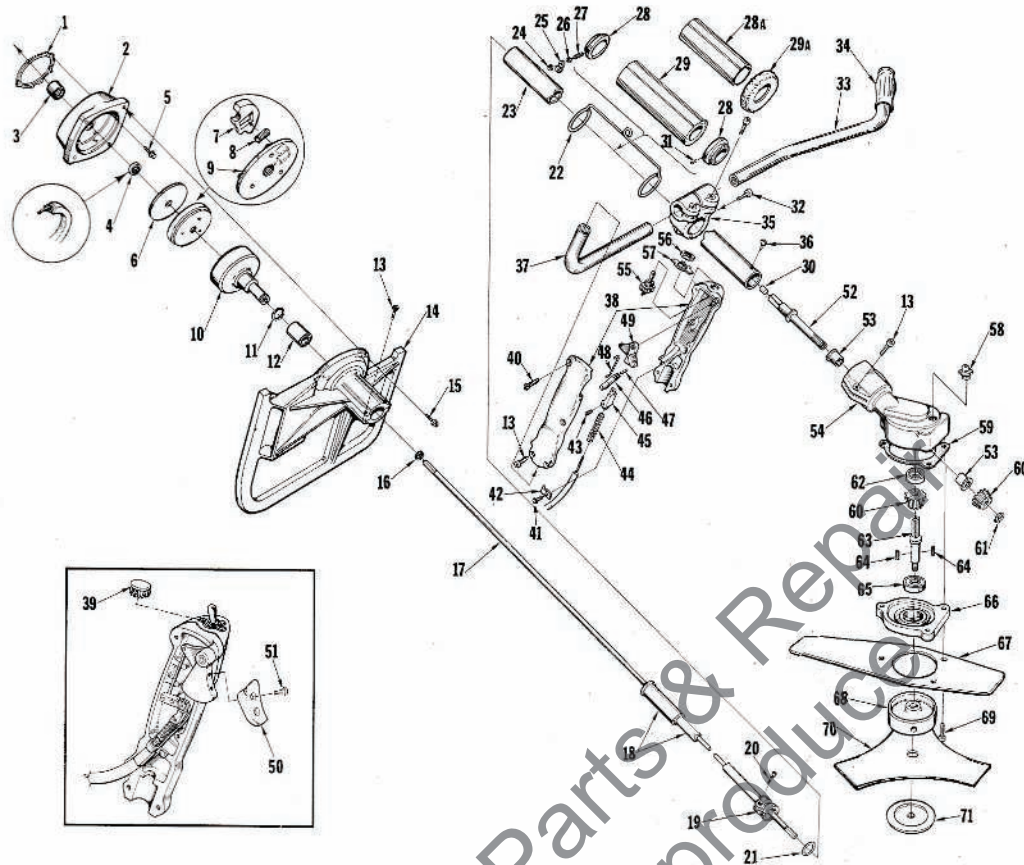
No.	Description	Part No.	Qty.	No.	Description	Part No.	Qty.
1	GASKET-carburetor	58537-A	2	* 22	CHAMBER-carburetor	A-65617-A	1
2	SPACER-carburetor	58780	1	23	Includes: PLUG-felt	59329	1
3	FUEL LINE-flexible	68155	1	24	PIN-cotter	86301	1
* 4	CONTROL-throttle	A-53736	1	25	GROMMET	58362	1
4A	ROD-throttle	‡ 65403	1	26	BUTTON	57289-1	1
* 5	GUIDE-throttle rod	65417-A	1	27	GOVERNOR-air vane	A-59301-A	1
6	SCREW-fil. hd., 6-32 x 1/2	80151	1	28	SCREW-pan hd., 4-40 x 3/16	80658	4
7	WASHER-lock, #6	83004-1	1	29	LINK-governor	59260	1
* 8	CARBURETOR (XLBC-4)	A-50670	1	30	GROMMET- "Lo-Hi"	59058	1
	CARBURETOR (XLBC-B)	A-59535-B	1	31	STOP-reed	58776	1
9	COTTER PIN	86324	2	32	SPRING-reed	59053	1
10	ROD-choke	A-58826	1	33	REED	58775	1
11	COVER-air filter	58773-5	1	34	SPRING-governor	59242	1
12	NUT-cover	A-65272	1	35	GASKET	58513	1
13	RING-retaining	58319-A	1	36	GROMMET	68279	1
14	ELEMENT-air filter	63589	1	37	SCREW-soc. hd. set,		
15	GASKET-mounting stud	58392-1	1		4-40 x 1/8	‡ 80893	2
16	WASHER-lock	83046	2	38	COUPLING	‡ 65404	1
17	SCREW-hex, 10-32 x 2 1/4	80481	2	39	CONNECTOR-throttle casing	‡ 65405-1	1
18	BRACKET-mounting	A-58818-A	1	40	SLEEVE-compression	‡ 65553	1
19	SCREW-pan hd., 8-32 x 1/4	80575	2	41	NUT-compression	‡ 65555	1
20	PLATE-speed adjusting	A-59299	1	42	CABLE-throttle	‡ 65410	1
21	SCREW-hex, 12-24 x 7/8	80891	5	43	CASING-throttle cable	‡ 59414-1	1
				44	NUT-lock, 7/16-20	‡ 65473-1	1

\* Denotes new parts

‡ For XLBC-B units below Serial No. 3486202



# XLBC-B    XLBC-4



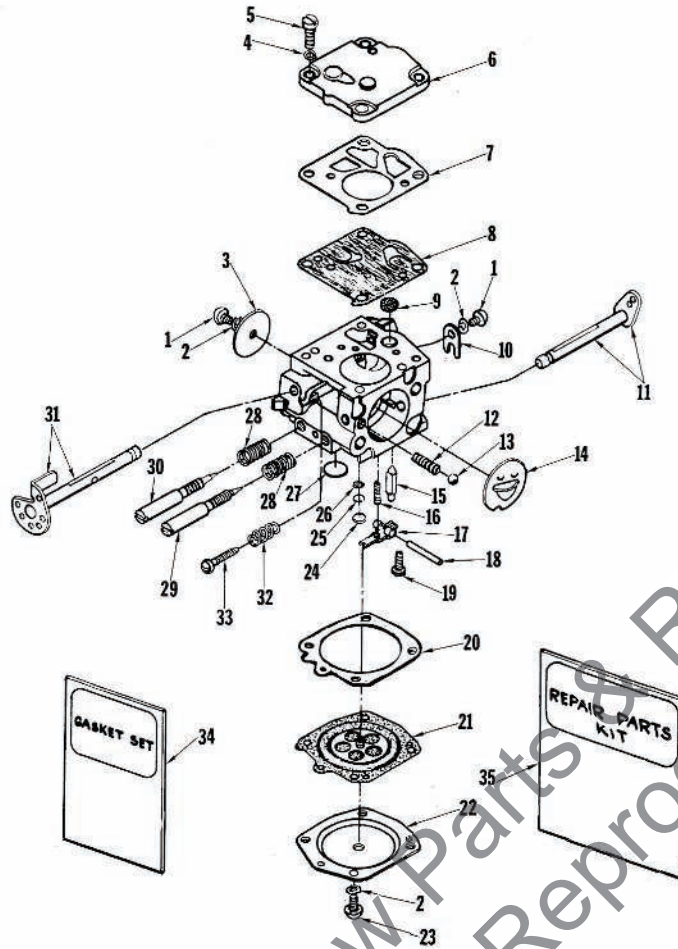
## FIGURE 4

No.	Description	Part No.	Qty.	No.	Description	Part No.	Qty.
1	GASKET	63355	1	36	SCREW-rd. hd., #8-1/4	80853	1
* 2	DRIVECASE	A-65397-1	1	37	HANDLE-right	59350-2	1
3	Includes: BEARING	38956	1	*38	GRIP-throttle w/pins	A-59502-A	1
4	SEAL	58688-A	1	Includes:			
5	SCREW-hex, 12-24 x 9/16	80899	3	39	PLUG-button	‡55681	1
6	COVER-clutch	63451	1	40	SCREW-pan hd., 8-32 x 5/8	80582	2
7	SHOE-clutch	63052	3	41	SCREW-pan hd., 6-32 x 5/16	80605	1
8	SPRING-clutch	63034	3	42	CLAMP-cable	59305	1
9	PLATE-clutch back	63053-1	1	43	SCREW-set, 4-40 x 1/8	80893	1
10	HUB & DRUM	A-65416	1	44	SPRING-return	59297	1
11	RING-retaining	28922	1	45	CONNECTOR-cable	59304-1	1
12	BEARING-ball	56219-S	1	46	LEVER-throttle	59303	1
13	SCREW-soc. hd., 1/4-20 x 3/4	80373-1	6	47	PIN-linkage	59308	1
*14	HEAD-upper	63755-3	1	48	LINK-throttle	59302	1
15	SCREW-hex, 1/4-20 x 13/16	80573	4	49	TRIGGER-throttle	A-65406	1
16	RING-retaining	59029	1	Includes:			
17	DRIVESHAFT	63764	1	50	PAD-trigger	65407-1	1
18	CASING-shaft	A-67054	1	51	SCREW-flat hd., 4-36 x 3/16	82141	2
Includes:				52	SHAFT-gear	A-57913	1
19	BUSHING-split	63349	1	53	BEARING	57918	2
20	SCREW-soc., 5-40 x 3/8	80960	1	*54	HEAD-lower	57849-3	1
21	"O" RING	63350	1	55	SWITCH-grounding	A-57650-3	1
*22	HANGER	50895	1	56	Includes: NUT-hex	72084-A1	1
	HANGER (XLBC-B only)	‡55463	1	57	PLATE-"On-Off"	72085-A	1
23	TUBE	57909	1	58	FITTING-grease	32409	1
24	NUT-lock hex, 10-32	81109-2	1	59	GASKET	57946	1
25	CLIP-throttle cable	59320	1	60	GEAR-bevel	57847	2
26	NUT-hex, 10-32	81010-1	1	61	RING-retaining	57925	1
27	SCREW-soc. hd., 10-32 x 7/8	80909	1	62	BEARING-ball	57928-S	1
*28	COLLAR-hanger	55844-1	2	63	SHAFT-blade	57851	1
	COLLAR-hanger (XLBC-B only)	‡55844	2	64	KEY	55225-1A	2
28A	TUBE-hanger (XLBC-B only)	‡55845	1	65	BEARING-ball	72040-S	1
*29	BUMPER-sleeve	50603	1	*66	RETAINING-bearing	57850-3	1
29A	BUMPER (XLBC-B only)	‡55846	5	*67	GUARD-blade	57863-2	1
30	BUMPER	65414	1	68	HEAD-spindle	58076-1	1
31	SCREW-soc. hd., 10-32 x 3/8	80514	1	69	SCREW-soc. hd., 1/4-20 x 1	80428	3
32	SCREW-soc. hd., 5/16-18 x 1	80308	3	*70	BLADE (XLBC-4 only)	50685	1
*33	HANDLE-left	57862-1	1		BLADE (XLBC-B only)	55455	1
34	GRIP-handle	59275	1	71	NUT-blade shaft	56178-1	1
*35	CLAMP-handle	55395-3	1	*	HARNES (not shown)	A-50730	1

‡ For XLBC-B units below Serial No. 3486202

\* Denotes new parts

# XLBC-4



A-50670

No.	Description	Part No.	Qty.	No.	Description	Part No.	Qty.
1	SCREW-4-40 x 3/16	† 80264	2	19	SCREW-4-40 x 5/16	† 58992	1
2	WASHER-#4	83008-1	6	20	GASKET-diaphragm	58978	1
3	THROTTLE SHUTTER	25050	1	21	DIAPHRAGM-main	† 58988	1
4	WASHER- #6	83024	4	22	COVER-diaphragm	58979	1
5	SCREW-6-32 x 3/8	80275	4	23	SCREW-4-40 x 1/4	80591	4
6	COVER-pump	58975	1	24	PLUG-Welch, 3/16	† 58994	1
7	GASKET-fuel pump	58981	1	25	RING-retaining	57819	1
8	DIAPHRAGM-fuel pump	† 58980-R	1	26	SCREEN-channel	59500	1
9	SCREEN	† 58974	1	27	PLUG-Welch, 11/32	† 58991	1
10	CLIP-throttle shaft	58982	1	28	SPRING-adjusting screw	† 73075	2
11	CHOKE OIL & LEVER	58990	1	29	NEEDLE-main adjusting	58986	1
12	SPRING-choke friction	73264	1	30	NEEDLE-idle adjusting	58985	1
13	BALL-choke friction	25527	1	31	THROTTLE SHAFT & LEVER	58989	1
14	SHUTTER-choke	58984	1	32	SPRING-idle speed	† 58973	1
15	NEEDLE-inlet	59717	1	33	SCREW-idle stop	† 58993	1
16	SPRING-inlet tension	† 55759	1	34	GASKET SET	† 67866	1
17	LEVER-inlet control	† 59716	1	35	REPAIR KIT	67869	1
18	PIN-fulcrum	† 58977	1				

† Included in Repair Kit

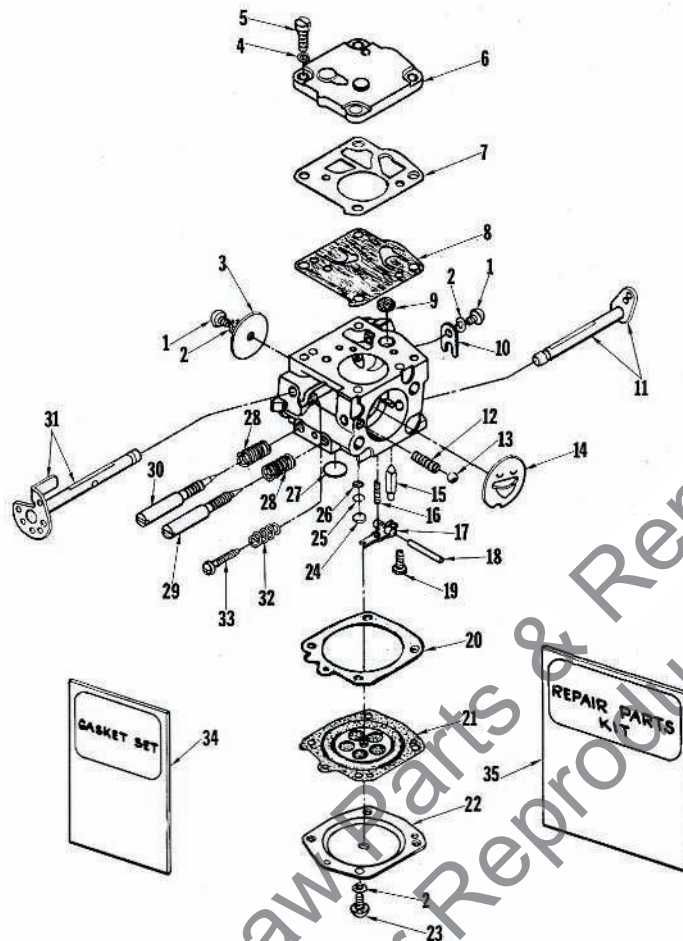
### Accessories

A-63252	ATTACHMENT-grass trimming	55455	BLADE (optional XLBC-4)
	Includes:	*50685	BLADE (optional XLBC-B)
55907-2	GUARD	A-24271	KIT-ignition
55908-2	FOOT	A-24266	KIT-starting rope
80218-1	SCREW-hex hd., 1/4-20 x 3/4 (4)	55455	BLADE
84004-1	WASHER-flat, 1/4 (4)	23488-B	LOCTITE
83009	WASHER-lock, 1/4 (4)	57084-1	REEL- 250 ft., starter rope
55909-1	BLADE	22772	SPRAY CAN-black
		23475	SPRAY CAN-red

ALWAYS FURNISH MODEL AND SERIAL NUMBER WHEN ORDERING PARTS.



# XLBC-B



A-59535-B

No.	Description	Part No.	Qty.	No.	Description	Part No.	Qty.
1	SCREW-4-40 x 3/16	† 80264	2	19	SCREW-4-40 x 5/16	† 58992	1
2	WASHER-#4	† 3008-1	6	20	GASKET-diaphragm	58978	1
3	THROTTLE SHUTTER	25050	1	21	DIAPHRAGM-main	† 58988	1
4	WASHER- #6	83024	4	22	COVER-diaphragm	58979	1
5	SCREW-6-32 x 3/8	† 90275	4	23	SCREW-4-40 x 1/4	80591	4
6	COVER-pump	58975	1	24	PLUG-Welch, 3/16	† 58994	1
7	GASKET-fuel pump	58981	1	25	RING-retaining	57819	1
8	DIAPHRAGM-fuel pump	† 58980-R	1	26	SCREEN-channel	59500	1
9	SCREEN	† 58974	1	27	PLUG-Welch, 11/32	† 58991	1
10	CLIP-throttle shaft	58982	1	28	SPRING-adjusting screw	† 73075	2
11	CHOKE OIL & LEVER	58990	1	29	NEEDLE-main adjusting	58986	1
12	SPRING-choke friction	73264	1	30	NEEDLE-idle adjusting	58985	1
13	BALL-choke friction	25527	1	31	THROTTLE SHAFT & LEVER	58989	1
14	SHUTTER-choke	58984	1	32	SPRING-idle speed	† 58973	1
15	NEEDLE-inlet	59717	1	33	SCREW-idle stop	† 58993	1
16	SPRING-inlet tension	† 55759	1	34	GASKET SET	† 67866	1
17	LEVER-inlet control	† 59716	1	35	REPAIR KIT	67869	1
18	PIN-fulcrum	† 58977	1				

† Included in Repair Kit

### SPECIAL TOOLS - Available on Order

A-22808	COMBINATION WRENCH	22963	ROD-locking (Spindle)
22828	PLIERS-piston snap ring	23759	SLEEVE-crankshaft assembly
23756	PLUG-installation (conn. rod)	23800	SLEEVE-seal installation
23757	PLUG-installation (drive & crankcases)	22061	WRENCH-socket screw
23758	PLUG-installation (drive & crankcases)	23605	WRENCH-socket screw
A-23949	PLUG-piston pin removal	23528	WRENCH-socket screw (conn.rod)
67900	Includes: "O" RING	A-23934	WRENCH-spanner
A-23960	PULLER-magneto rotor		



Part No.	Description	Qty.	Part No.	Description	Qty.	Part No.	Description	Qty.	Part No.	Description	Qty.
22061	Wrench-screw	1	57946	Gasket	1	A-59299	Plate-speed adj.	1	65553	Sleeve	1
22772	Spray Can-black	1	58076-1	Head-spindle	1	A-59301-A	Governor-air vane	1	65555	Nut	1
A-22808	Comb. Wrench	1	58319-A	Ring-retaining	1	59302	Link-throttle	1	*A-65617-A	Chamber-carb.	1
22828	Pliers	1	58362	Grommet	1	59303	Lever-throttle	1	*A-67054	Casing-shaft	1
22963	Rod-locking	1	58392-1	Gasket-mounting	1	59304-1	Connector-cable	1	67177	Bushing-ropo	1
23475	Spray Can-red	1	58513	Gasket	1	59305	Clamp-cable	1	67866	Gasket Set	1
23488-B	Loctite	1	58537-A	Gasket-carb.	2	59308	Pin-linkage	1	67869	Kit-repair	1
23528	Wrench	1	58688-A	Seal	1	59320	Clip-throttle cable	1	67900	"O" Ring	1
23605	Wrench	1	58706-B2	Cylinder	1	59329	Plug-felt	1	68046	Grommet	1
23756	Plug	1	58724	Bearing	1	*59350-2	Handle-right	1	68141-2	Cover-tank	1
23757	Plug	1	58725	Race-bearing	2	59397-2	Muffler	1	68155	Fuel Line	1
23758	Plug	1	58726	Bearing-needle	2	59414-1	Casing	1	68279	Grommet	1
23759	Sleeve	1	58756	Pawl-starter	2	59497	Spring-return	1	A-68396	Tank-fuel & oil	1
23800	Sleeve	1	58757-B	Stud-shoulder	2	59500	Screen-channel	1	68751	Retainer-fuel	1
A-23934	Wrench-spanner	1	58758	Spring	2	*A-59502-A	Grip-throttle	1	72040-5	Bearing-ball	1
A-23949	Plug-piston pin	1	58763	Washer-retaining	1	59510	Nut-lock	1	72041-A1	Nut-hex	1
A-23960	Puller	1	58764-A	Spring-recoil	1	A-59535-B	Carburetor	1	72055-A	Plate-on-off	1
A-24266	Kit-starter rope	1	58773-5	Cover-air filter	1	59538	Gasket	1	72075	Spring-screw	2
A-24271	Kit-ignition	1	58775	Reed	1	59622	Clamp-condenser	1	72264	Spring-choke	1
25038	Gasket	1	58776	Stop-reed	1	59716	Lever-inlet control	1	72036	Grommet	1
25050	Throttle Shutter	1	58780	Spacer-carb.	1	59717	Needle-inlet	1	75078	Key-rotor	1
25527	Ball-choke	1	A-58799-D	Crankcase	1	59760	Seal-felt	1	75120	Ring-retaining	1
28008	Clip-post	1	58806	Rope-starter	1	63034	Spring-clutch	3	76417	Spring-cover	1
28028	Washer-point	1	58809	Rotor-magneto	1	63051	Cover-clutch	1	76421	Screw Group	1
28922	Ring-retaining	1	58810	Gasket-cover	1	63052	Shoe-clutch	3	FASTENING PARTS		
30261	Screw Group	1	58811	Cover-breaker box	1	63053-1	Plate-back clutch	1	80151	6-32 x 1/2	1
32409	Fitting-grease	1	A-58818-A	Bracket-mounting	1	63250	Condenser	1	80218-1	1/4-20 x 3/4	4
A-33055	Terminal	1	A-58826	Rod-choke	1	A-63252	Attachment	1	80264	4-40 x 3/16	2
40190-S	Spark Plug	1	58847	Insert	1	63349	Bushing-split	1	80275	6-32 x 3/8	4
*50603	Bumper-sleeve	1	58851	Washer	2	63350	"O" Ring	1	80308	5/16-18 x 1	3
*A-50670	Carburetor	1	58874	Coil	1	63355	Gasket	1	80373-1	1/4-20 x 3/4	6
*50685	Blade	1	58875-A	Box-breaker	1	63407	Screw-hex	3	80428	1/4-20 x 1	3
*50695	Hanger	1	58877	Ring-piston	2	A-63477	Rod-connecting	1	80481	10-32 x 2-1/4	2
*A-50730	Harness	1	A-58903-C	Piston & Pin	1	A-63496	Roller-needle	1	80513	#6 x 1/2	16
*A-53736	Control-throttle	1	A-58914	Point Set	1	63497	Crankshaft	1	80514	10-32 x 3/8	1
55225-1A	Key	2	58915	Grip-rope	1	63589	Element-air filter	1	80541	8-32 x 1/2	2
*55398-3	Clamp-handle	1	A-58934	Terminal	1	63718	Valve-vent	2	80573	1/4-20 x 13/16	4
55455	Blade	1	58956	Bearing	1	63726	Clip-coil retaining	1	80575	8-32 x 1/4	2
55463	Hanger	1	58957	Gasket	1	*63735-3	Head-upper	1	80582	8-32 x 5/8	2
55681	Plug-button	1	58963	Screw-hex	3	63761	Driveshaft	1	80591	4-40 x 1/4	4
55759	Spring	1	58973	Spring-idle speed	1	A-63920	Filter-assembly	1	80605	6-32 x 5/16	1
*55844-1	Collar-hanger	2	58974	Screen	1	64049-A	Lock-spring	1	80648	10-32 x 1/2	1
55844	Collar-hanger	2	58975	Cover-pump	1	64083-1	Filter-fuel	1	80658	4-40 x 3/16	4
55845	Tube-hanger	1	58977	Pin-fulcrum	1	64090	Screw-coil clip	1	80676	12-24 x 5/8	4
55846	Bumper	1	58978	Gasket-diaphragm	1	64116-1	Bracket-locking	1	80853	#8-1/4	1
55871	Stud	4	58979	Cover-diaphragm	1	64182	Washer	1	80891	12-24 x 7/8	5
55907-2	Guard	1	58980-R	Diaphragm	1	64400	Bushing-spring lock	1	80893	4-40 x 1/8	1
55908-2	Foot	1	58981	Gasket	1	64443	Bushing-starter post	1	80899	12-24 x 9/16	5
55909-1	Blade	1	58982	Clip-throttle shaft	1	A-64446	Pulley-starter	1	80909	10-32 x 7/8	1
56178-1	Nut-blade shaft	1	58984	Shutter-choke	1	A-64518	Housing-fan	1	80960	5-40 x 3/8	1
56219-S	Bearing-ball	1	58985	Needle-idle adj.	1	64813	Ring-retaining	2	81065-2	Nut-1/4-28	4
57084-1	Reel-250'	1	58986	Needle-main adj.	1	A-65272	Nut-cover mounting	1	81109-2	Nut-10-32	4
57289-1	Button	1	58988	Diaphragm-main	1	A-65283-A	Cap-fuel filler	1	81010-1	Nut-10-32	1
A-57650-3	Switch-w/ nut	1	58989	Throttle Shaft	1	*A-65397-1	Drivecase	1	81117	Nut-5/16-24	1
57819	Ring-retaining	1	58990	Choke Shaft	1	*65401-1	Manifold	1	82141	4-36 x 3/16	2
57847	Gear-bevel	2	58991	Plug-Welch, 11/32	1	65403	Rod-throttle	1	82189	12-24 x 3/4	2
*57849-3	Head-lower	1	58992	Screw	1	65404	Coupling	1	83002	Washer-5/16	1
*57850-3	Retaining	1	58993	Screw-idle stop	1	65405-1	Connector	1	83004-1	Washer-#6	1
57851	Shaft-blade	1	58994	Plug-Welch, 3/16	1	A-65406	Trigger-throttle	1	83008-1	Washer-#4	6
*57862-1	Handle-left	1	59029	Ring-retaining	1	65407-1	Pad-trigger	1	83009	Washer-1/4	4
*57863-2	Guard-blade	1	A-59031	Lead	1	65410	Cable-throttle	1	83024	Washer-#6	4
57909	Tube	1	59053	Spring-reed	1	65414	Bumper	1	83046	Washer-#10	2
A-57913	Shaft-gear	1	59058	Grommet	1	A-65416	Hub & Drum	1	84004-1	Washer-1/4	4
57918	Bearing	2	59242	Spring-governor	1	*65417-A	Guide-throttle rod	1	84056	Washer-5/16	1
57925	Ring-retaining	1	59260	Link-governor	1	65471	Lead-hi tension	1	86301	Pin-cotter	2
57928-S	Bearing-ball	1	59275	Grip-handle	1	65473-1	Nut-lock	1	86324	Pin-cotter	1

\* Denotes new parts

