

# HOMELITE®

- Ⓞ PARTS LIST
- Ⓣ LISTE DE PIÈCES
- ⓔ LISTA DE PIEZAS

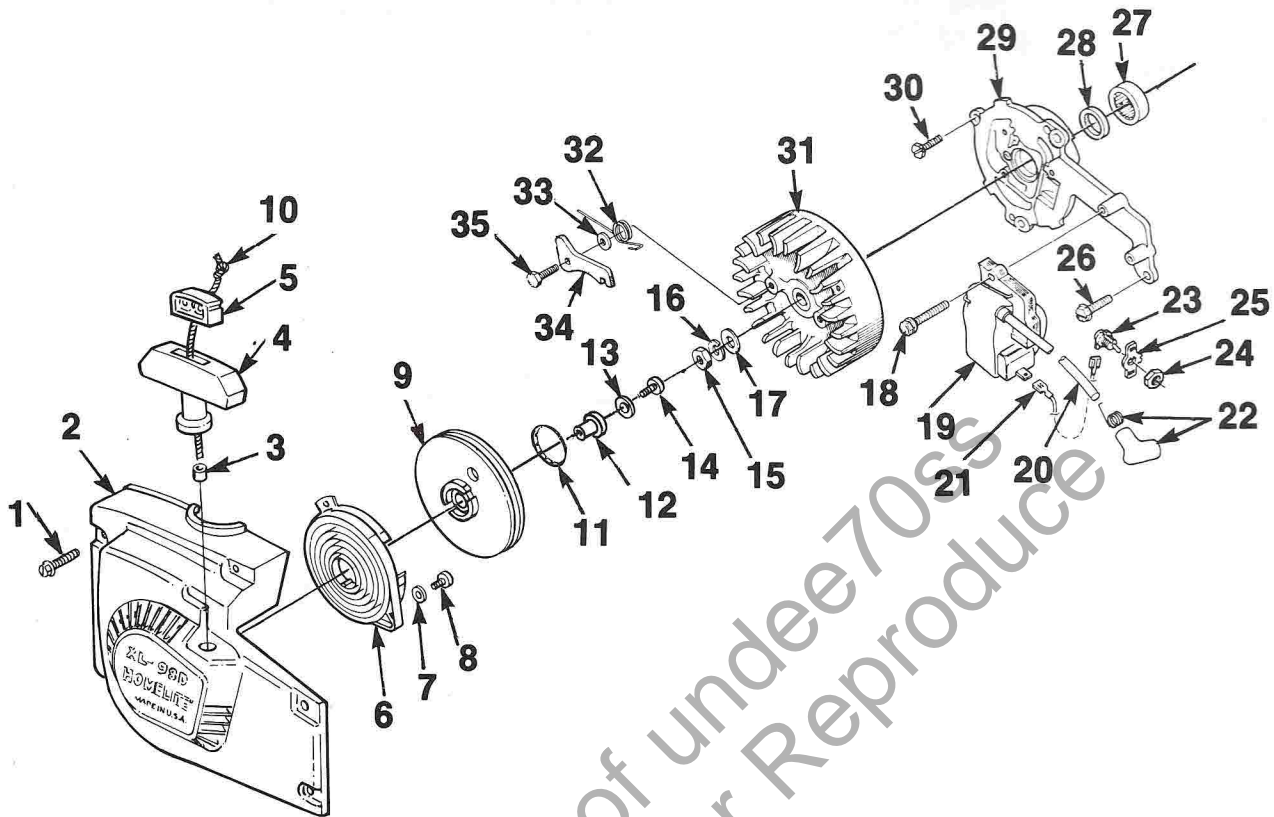
**XL98-D (UT-05049)**

Courtesy of undee70ss  
Do Not Sell or Reproduce



Ⓞ Printed in U.S.A.  
Ⓣ Imprimé aux E.-U.  
ⓔ Impreso en EE.UU.  
P/N 18596

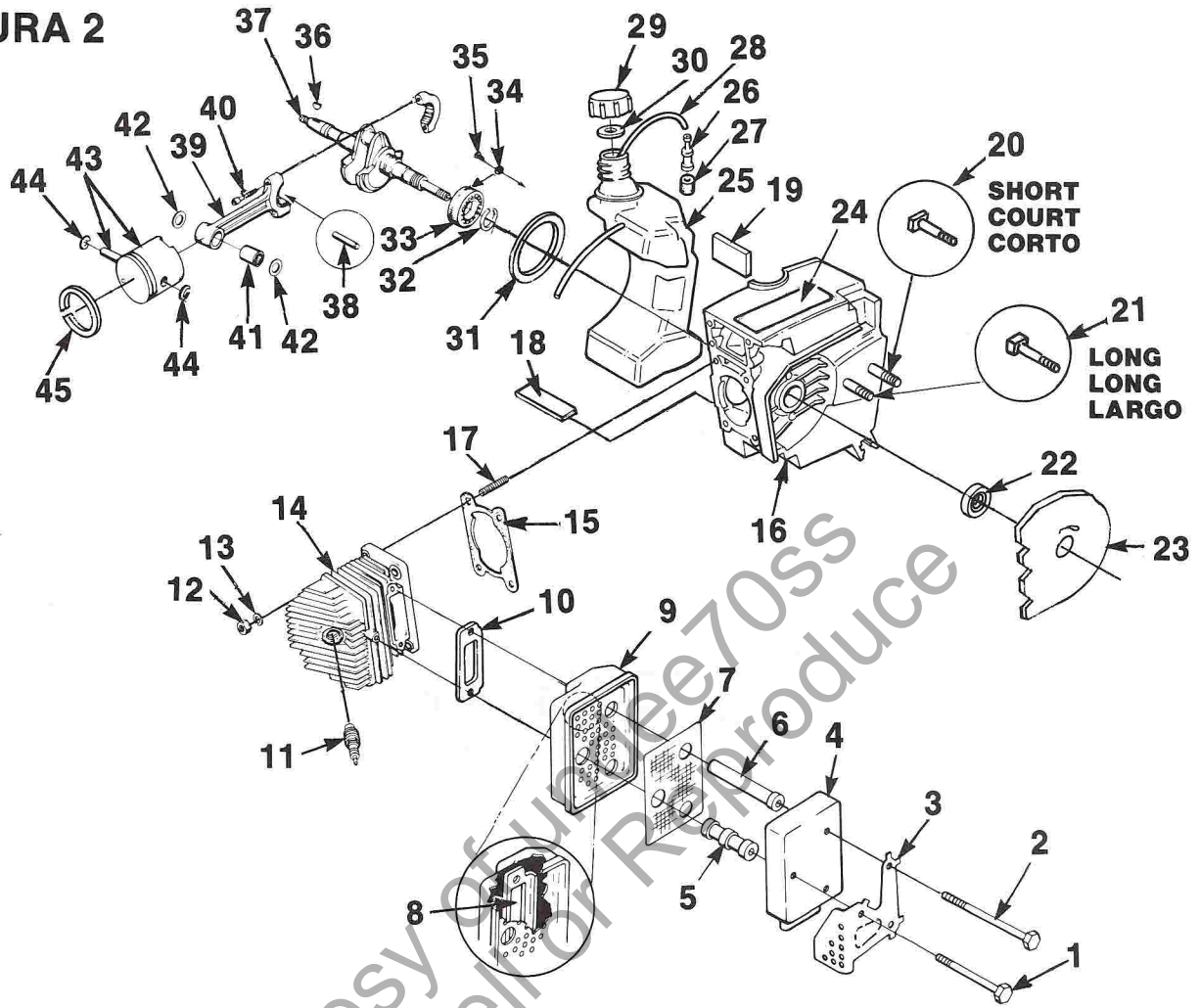
FIGURE 1  
 FIGURE 1  
 FIGURA 1



No.	Part Number	Description	Qty.	No.	Part Number	Description	Qty.
No.	No. de Pièce		Qté	No.	No. de Pièce		Qté.
No.	No. de Pieza		Cant.	No.	No. de Pieza		Cant.
1	80676	SCREW	4	19	• A-96798-A	MODULE- Ignition	1
2	A-03619	HOUSING- Starter w/bushing	1	20	96743	LEAD- Hi-Tension	1
3	67177	BUSHING	1	21	A-94850	LEAD- Ground	1
4	• A-69962-B	GRIP- Starter	1	22	A-33055	TERMINAL- Spark plug	1
5	70018-A	INSERT	1	23	• A-57650-3B	SWITCH- Grounding	1
6	A-98067	SPRING & RETAINER	1	24	70284-A1	NUT	1
7	84025	WASHER	2	25	12793-A	PLATE- Indicating	1
8	82528	SCREW- Thd. form. (6-32 x 3/8")	2	26	80052	SCREW- Sems Hex hd. (1/4-20 x 3/4")	1
9	• A-97990-A	PULLEY & CUP	1	27	63195	BEARING- Roller	1
10	A-00518	STARTER ROPE	1	28	12282-A	SEAL	1
11	02505	SPRING- Grip	1	29	A-96799-A	PLATE- Back	1
12	97992-A	BUSHING- Starter rope	1	30	80049	SCREW- (1/4-20 x 5/8")	1
13	58763	WASHER- Flat	1	31	96801-A	ROTOR	1
14	93417	SCREW- (10 x 7/8")	1	32	01101	SPRING- Starter pawl	1
15	81124-A	NUT- Hex (3/8-24)	1	33	84115	WASHER- Flat	1
16	83102	WASHER- Lock (3/8")	1	34	58756-A	STARTER PAWL	1
17	84010	WASHER- Flat (3/8")	1	35	64054-C	SCREW- Shoulder	2
18	88044	SCREW- Sems Hex hd. (8-32 x 1")	2				

- ASSEMBLIES
- ENSEMBLES
- CONJUNTOS

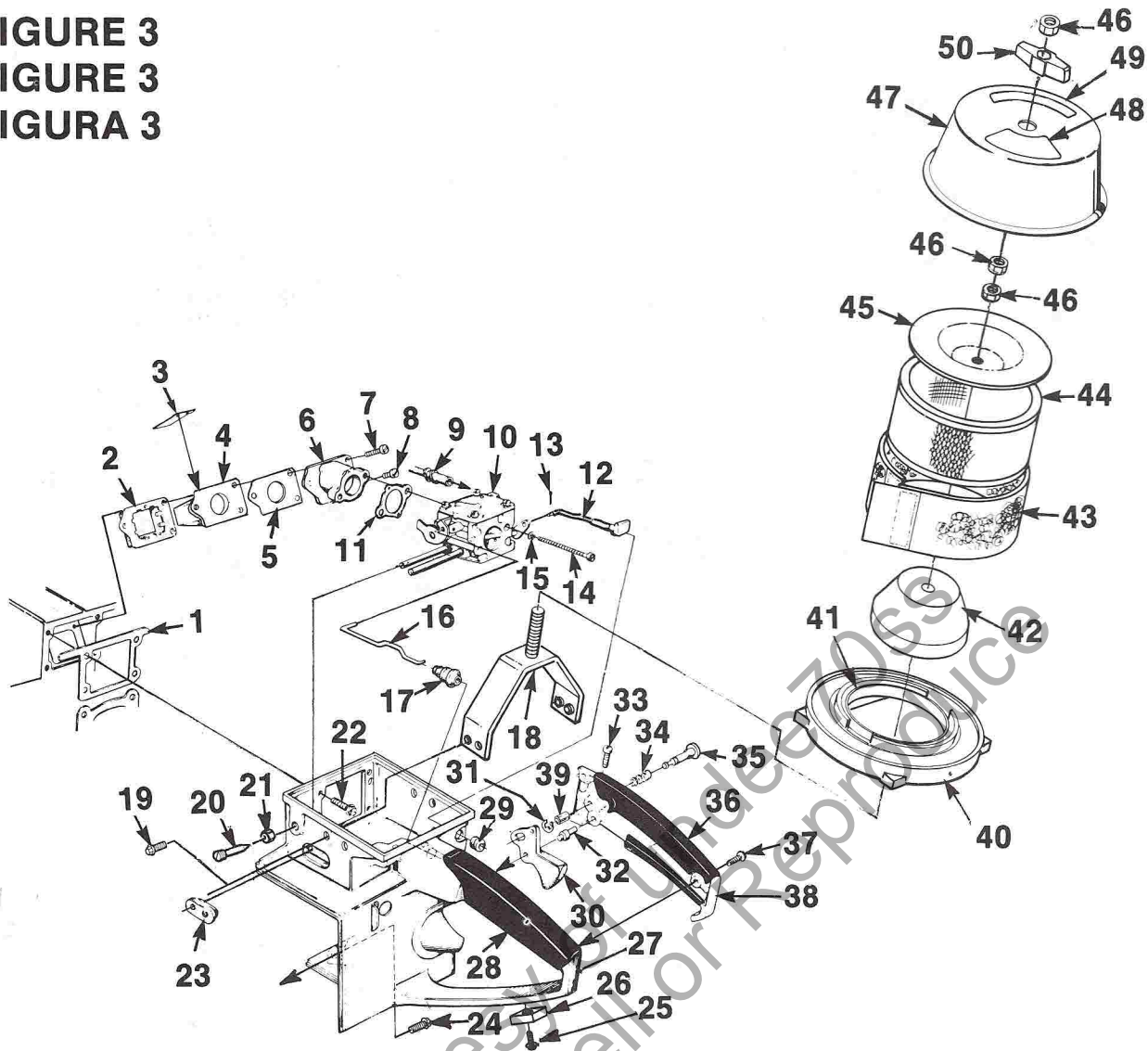
**FIGURE 2**  
**FIGURE 2**  
**FIGURA 2**



No.	Part Number	Description	Qty.	No.	Part Number	Description	Qty.
No.	No. de Piéce		Qté.	No.	No. de Piéce		Qté.
No.	No. de Pieza		Cant.	No.	No. de Pieza		Cant.
1	95885	SCREW- Hex hd.	1	24	46788	DECAL- Instruction/Warning	1
2	82280	SCREW- Hex hd. (1/4-20 x 3")	2	25	A-03498	FUEL TANK	1
3	69842	SHIELD- Muffler	1	26	A-97700	FILTER- Fuel	1
4	A-69836-1	CAP- Muffler	1	27	59253-1A	ELEMENT- Filter	1
5	69844	SUPPORT- Short	1	28	93112-52	TUBING- Rubber (13")	1
6	69843	SUPPORT- Long	1	29	A-00982	CAP- Fuel	1
7	A-93900-A	SCREEN- Spark arrestor	1	30	98805	GASKET- Fuel cap	1
8	69839	PLATE- Muffler	1	31	67559	"O" RING	1
9	A-69838-1	BODY- Muffler	1	32	58319-A	RING- Retaining	1
10	78098	GASKET- Muffler	1	33	58190	BEARING- Ball	1
11	93561-S	SPARK PLUG	1	34	59705	WASHER- Lock	2
12	96212	NUT- (1/4-28 x 3/8")	4	35	70306	SCREW- Torx (10-32)	2
13	83009	WASHER- Lock	4	36	75078	KEY- Woodruff	1
14	A-42206-B	CYLINDER	1	37	67168-4	CRANKSHAFT	1
15	63778-1	GASKET- Cylinder	1	38	A-69056	BEARING- Needle	1
16	A-01846	CRANKCASE	1	39	A-69658-A	ROD- Connecting	1
17	69438	STUD- Cylinder	4	40	69919	SCREW- Hex hd. (8/32 x 1/2")	2
18	03027	SPACER- Fuel tank	1	41	69638-A	BEARING	1
19	03026	SPACER- Fuel tank	1	42	68010	WASHER	2
20	67807	BOLT- (3/8-16 x 2 1/8")	1	43	A-49314	PISTON & PIN ASSY.	1
21	47948	BOLT- (3/8-16 x 2 11/32")	1	44	64742	RING- Retaining	2
22	12282-A	SEAL	1	45	55537	PISTON RING	1
23	A-64715	SAW DUST SHIELD	1				

- ASSEMBLIES
- ENSEMBLES
- CONJUNTOS

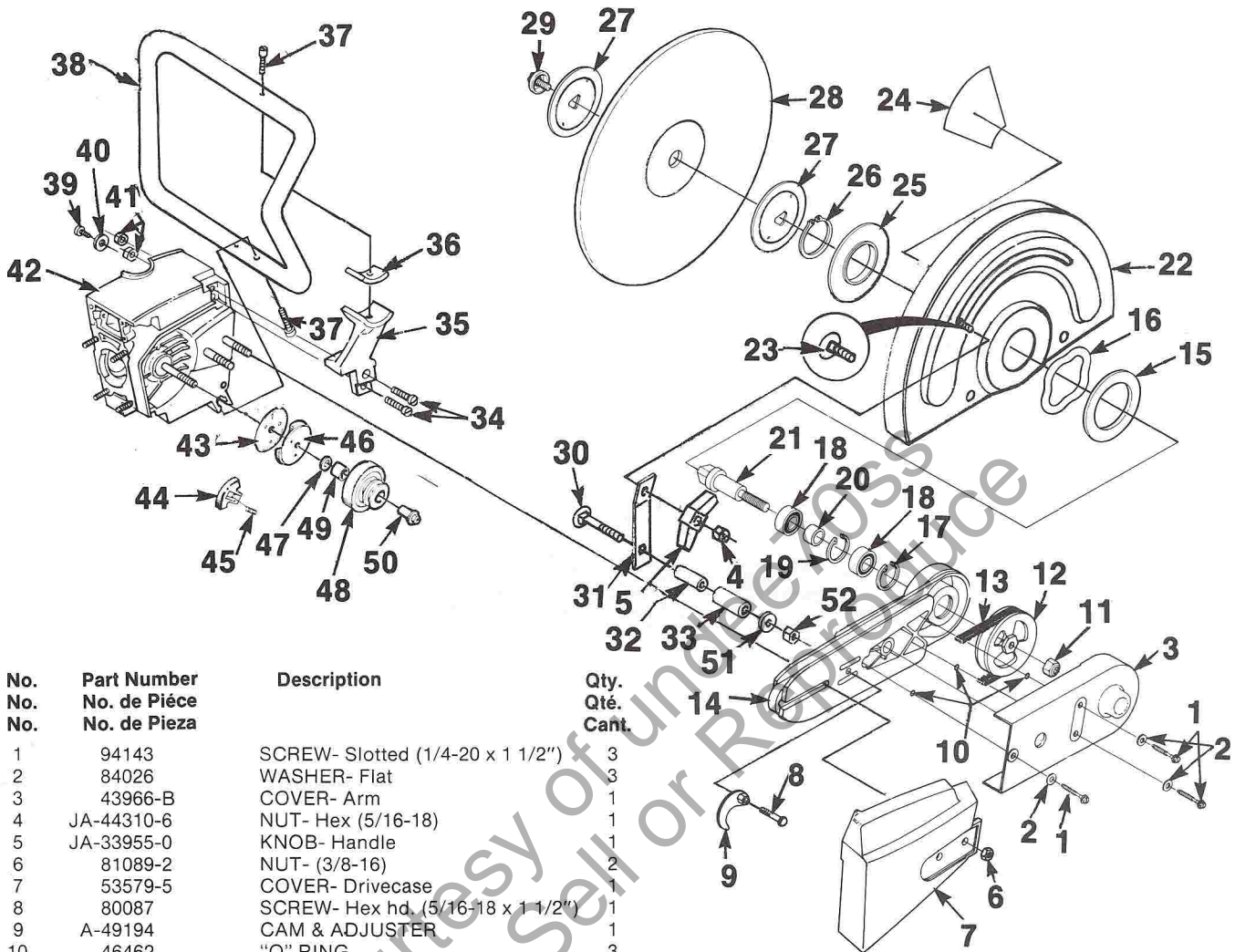
FIGURE 3  
FIGURE 3  
FIGURA 3



No.	Part Number	Description	Qty.	No.	Part Number	Description	Qty.
No.	No. de Pièce		Qté	No.	No. de Pièce		Qté
No.	No. de Pieza		Cant.	No.	No. de Pieza		Cant.
1	63779-C	GASKET	1	27	A-01845	HANDLE- Throttle	1
2	63370-A	RETAINER- Reed	1	28	68767	GRIP- Throttle handle	1
3	63166-A	REED- Valve	4	29	64862	GROMMET	1
4	63371-B	SEAT- Reed Valve	1	30	65745	TRIGGER	1
5	65483	GASKET	1	31	58409	RING- Retaining	1
6	A-67460-1	SPACER- Carburetor	1	32	65719	PIN	1
7	82570	SCREW- (8-32 x 1 1/4")	2	33	80023-2	SCREW- (8-32 x 5/8")	1
8	82173	SCREW- Pan hd. (8-32 x 1")	1	34	58405	SPRING- Throttle lock	1
9	93112-52	FUEL LINE	1	35	95671	PIN- Throttle	1
10	● A-01694	CARBURETOR	1	36	68768	GRIP- Throttle handle	1
11	67540	GASKET	1	37	80560	SCREW- Pan hd. (8-32 x 1/2")	2
12	67201-1	CHOKE ROD	1	38	● A-69045	COVER- Throttle handle	1
13	86324	COTTER PIN	1	39	59064	BUSHING	1
14	82179	SCREW- (10-32 x 1 7/8")	2	40	● A-50952-B	RING & GASKET ASSY.	1
15	83046	WASHER- Lock (#10)	2	41	50951	GASKET	1
16	63266-A	ROD- Throttle	1	42	49786	FILTER- Air	1
17	58348	BOOT- Throttle rod	1	43	49213	PRE FILTER- Felt	1
18	● A-02786	BRACKET- Cover	1	44	54620-B	ELEMENT- Air filter	1
19	88042	SCREW	4	45	49212	COVER- Filter Element	1
20	63369-A	SCREW- Idle Adjustment	1	46	81162	NUT- Hex (5/16-18)	4
21	81117	NUT- Jam (5/16-24)	1	47	● A-49142-1	AIR FILTER COVER	1
22	80676	SCREW- Hex hd. (12-24 x 5/8")	4	48	50951	GASKET- (#40)	1
23	69751	GROMMET	1	49	49687	DECAL- Warning	1
24	80891	SCREW- Hex hd. (12-24 x 7/8")	1	49	49263	DECAL- Instruction	1
25	88049	SCREW- (10-24 x 1/2")	1	50	JA-33955-0	KNOB- Handle	1
26	49686-1	PAD- Wear	1				

- ASSEMBLIES
- ENSEMBLES
- CONJUNTOS

**FIGURE 4**  
**FIGURE 4**  
**FIGURA 4**



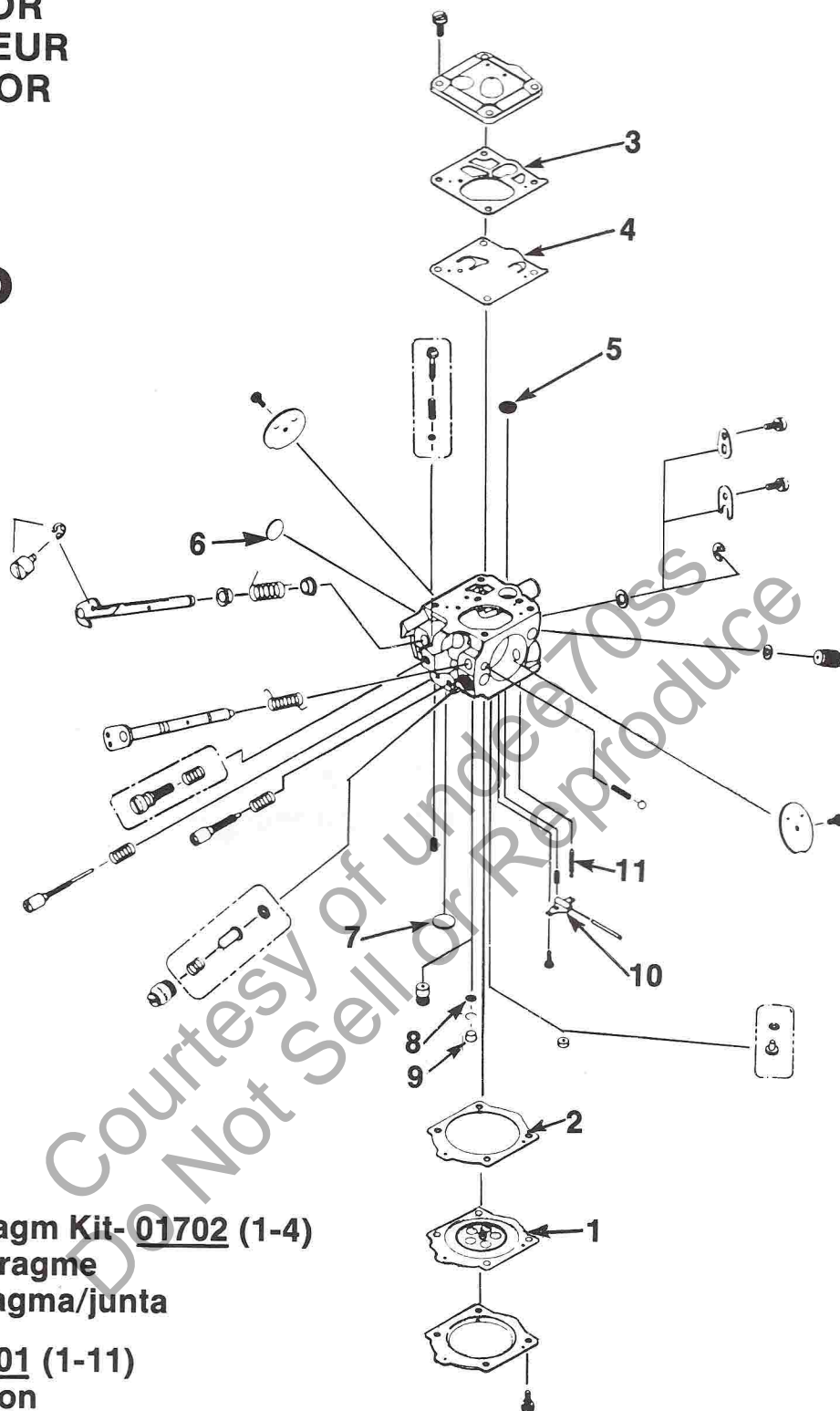
No.	Part Number	Description	Qty.
No.	No. de Pièce		Qté.
No.	No. de Pièza		Cant.
1	94143	SCREW- Slotted (1/4-20 x 1 1/2")	3
2	84026	WASHER- Flat	3
3	43966-B	COVER- Arm	1
4	JA-44310-6	NUT- Hex (5/16-18)	1
5	JA-33955-0	KNOB- Handle	1
6	81089-2	NUT- (3/8-16)	2
7	53579-5	COVER- Drivecase	1
8	80087	SCREW- Hex hd. (5/16-18 x 1 1/2")	1
9	A-49194	CAM & ADJUSTER	1
10	46462	"O" RING	3
11	81245	NUT- Hex (1/2-13)	1
12	43998-1A	PULLEY- Drive	1
13	46068	BELT- "V" Drive	1
14	• A-49558	ARM- Wheel	1
15	47387	SHIM	1
16	47388	SPRING- Wave	1
	• A-00445-C	ARM- Wheel (20 mm)	1
	47387	SHIM	1
	47388	SPRING- Wave	1
17	31746	RING- Retaining	1
18	63107-S	BEARING- Ball	2
19	47207	RING- Retaining	1
20	46067	SPACER- Bearing	1
21	49710	SHAFT- Wheel	1
	A-49665	SHAFT- Wheel (20 mm)	1
22	A-43462-1A	GUARD- Wheel (12")	1
	A-49580-1	GUARD- Wheel (14")	1
23	82519-A	BOLT- Step (14")	1
24	48922	LABEL- Caution	1
25	46000	WASHER- Mounting	1
26	46065	RING- Retaining	1
27	43996-1A	FLANGE- Wheel	1
28	64596-BS	WHEEL- Resinoid (12")	1
	49559	WHEEL- Resinoid (14")	1
29	A-48783-A	KIT- Screw, Washer, Ret. Ring	1
30	82534	BOLT- Step (12")	1
31	A-49789	ARM- Adjusting	1

No.	Part Number	Description	Qty.
No.	No. de Pièce		Qté.
No.	No. de Pièza		Cant.
32	49819	SKIRT- Rubber	1
33	49553-A	TUBING- Rubber	1
34	80891	SCREW- Hex hd. (12-24 x 3/4")	2
35	69829-2	BRACKET- Handle bar	1
36	51163	MOUNT- Shock (bracket)	1
37	80428-1	SCREW- Nylock (1/4-20 x 1")	3
38	A-49927	HANDLE BAR	1
39	80939	SCREW- Pan hd.	1
40	95935	WASHER	1
41	81225	NUT- Hex (12-24)	2
42	A-01846	CRANKCASE	1
43	93628	COVER- Clutch	1
44	69461	SHOE- Clutch	3
45	67053	SPRING- Clutch	3
46	65760-1B	PLATE- Clutch	1
47	58833	WASHER	1
48	• A-49224	PULLEY- Bearing & Arm	1
49	51151	BEARING- Needle	1
50	A-97901-A	INNER RACE KIT	1
51	84027	WASHER- Flat	1
52	JA-44471-8	NUT- Hex	1

- ASSEMBLIES
- ENSEMBLES
- CONJUNTOS

**CARBURETOR  
CARBURATEUR  
CARBURADOR**

**WALBRO  
A-01694**



**Gasket/Diaphragm Kit- 01702 (1-4)**  
**Jeu joint/diaphragme**  
**Conjunto diafragma/junta**

**Repair Kit- 01701 (1-11)**  
**Jeu de réparation**  
**Juego de reparacion**

**Inlet Needle Valve- 97942 (11)**  
**Soupape à pointeau d'admission**  
**Valvula de aquja de entrada**

Ⓞ **ACCESSORIES**  
 ⓕ **ACCESSOIRES**  
 ⓔ **ACCESORIOS**

**WHEELS- Resinoid**  
**Roues- Résinoïde**  
**Ruedas tipo resina**

**METAL- (12" x 5/32" x 1") 64597-BS**  
 Métal- (30,48cm x 0,4cm x 2,54cm)  
 Metal- (30,48cm x 0,4cm x 2,54cm)

**DUCTILE- (12" x 5/32" x 1") 68421-AS**  
 Ductile- (30,48cm x 0,4cm x 2,54cm)  
 Dúctil- (30,48cm x 0,4cm x 2,54cm)

**CONCRETE- (12" x 5/32" x 1") 64596-BS**  
 Béton- (30,48cm x 0,4cm x 2,54cm)  
 Concreto- (30,48cm x 0,4cm x 2,54cm)

**CONCRETE- (12" x 5/32" x 20mm) 43233-AS**  
 Béton- (30,48cm x 0,4cm x 0,2cm)  
 Concreto- (30,48cm x 0,4cm x 0,2cm)

**DUCTILE- (12" x 5/32" x 20mm) 43234-AS**  
 Ductile- (30,48cm x 0,4cm x 0,2cm)  
 Dúctil- (30,48cm x 0,4cm x 0,2cm)

**METAL- (12" x 5/32" x 20mm) 43235-AS**  
 Métal (30,48cm x 0,4cm x 0,2cm)  
 Metal- (30,48cm x 0,4cm x 0,2cm)

**DUCTILE- (14" x 5/32" x 1") 49560**  
 Ductile- (35,56cm x 0,4cm x 2,54cm)  
 Dúctil- (35,56cm x 0,4cm x 2,54cm)

**METAL- (14" x 5/32" x 1") 49561**  
 Métal (35,56cm x 0,4cm x 2,54cm)  
 Metal- (35,56cm x 0,4cm x 2,54cm)

**WHEELS- Diamond**  
**Roues- Diamant**  
**Ruedas de diamante**

**CONCRETE- (12" x 1/8" x 1") A-49231-A**  
 Béton- (30,48cm x 0,31cm x 2,54cm)  
 Concreto- (30,48cm x 0,31cm x 2,54cm)

**CONCRETE- (14" x 1/8" x 1") A-49572**  
 Béton- (35,56cm x 0,31cm x 2,54cm)  
 Concreto- (35,56cm x 0,31cm x 2,54cm)

**BLADE- Carbide 64595-A**  
**LAME- Carbure**  
**CUCHILLA- de carburo**

**SILASTIC 24823**  
 Silastic  
 Silastic

**PAINT- Red 23475**  
 Peinture- Rouge  
 Pintura- Color rojo

**DOLLY KIT UT-05032-A**  
 Jeu pour chariot  
 Juego de carretilla

**CARRY CASE W/INSERT A-47390-B**  
 Boîtier porteur avec insertion  
 Maleta con inserto

**WET CUTTING KIT A-49649**  
 Jeu pour découpe humide  
 Juego de corte liquido

**BLOTTER 24174**  
 Chargeur  
 Secante

Ⓞ **TOOLS**  
 ⓕ **OÙTILS**  
 ⓔ **HERRAMIENTAS**

**WRENCH- 1/2" Forged 03000**  
 Clé forgée de (1,27cm)  
 Llave forjada de (1,27cm)

**SHIM- Air Gap 24306**  
 Cale- Couche d'air intermédiaire  
 Calce- Intervalo de aire

**BIT- Torx 1/4" Shank 24982-01**  
 Mèche Torx avec tige de (0,64cm)  
 Broca Torx con vástago de (0,64cm)

**BIT- Torx 5/16" Shank 24982-02**  
 Mèche Torx avec tige de (0,79cm)  
 Broca Torx con vástago de (0,79cm)

**PULLER- Rotor A-24290**  
 Extracteur de rotor  
 Extractor de rotor

**SCREW DRIVER 24541**  
 Tournevis  
 Destornillador

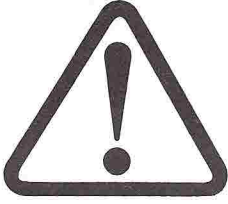
**WRENCH- Combination A-49607**  
 Clé combiné  
 Llave combinada

**WRENCH- Socket 68651**  
 Clé à douille  
 Llave de cubos

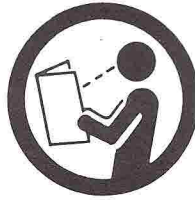
**WRENCH- Adjusting A-24085-A**  
 Clé réglable  
 Llave de ajuste

**WRENCH- Spanner A-23934**  
 Clé à ergots réglable  
 Llave ajustable

- ⓐ SYMBOL DEFINITIONS
- ⓑ DEFINITIONS DES SYMBOLES
- ⓒ SIGNIFICADO DE LOS SIMBOLOS



- ⓐ Warning, Danger, Caution.
- ⓑ Danger, Avertissement, Attention.
- ⓒ Peligro, advertencia, Precaución.



- ⓐ Read your product literature.
- ⓑ Lire les publications sur le produit.
- ⓒ Leer el manual del producto.



- ⓐ Wear hearing and eye protection devices.
- ⓑ Porter des protège-oreilles et une protection des.
- ⓒ Usar equipo de protección de oídos y ojos.

## CUSTOMER ASSISTANCE

FOR THE LOCATION OF YOUR NEAREST HOMELITE SERVICING DEALER IN THE UNITED STATES, PUERTO RICO, AND THE VIRGIN ISLANDS.

**CALL: 1-800-242-4672**

**NOTE: DEALER INFORMATION, TECHNICAL ADVICE AND PRODUCT INFORMATION CAN BE OBTAINED AT THIS NUMBER.**

## HEADQUARTERS

HOMELITE DIVISION OF TEXTRON INC.  
P.O. BOX 7047  
CHARLOTTE, N.C. 28241

## OVERSEAS OFFICES

### ENGLAND

**HOMELITE**  
DIVISION OF TEXTRON LIMITED  
UNIT 22  
Hither Green Trading Estate  
Clevedon (Nr. Bristol)  
Avon, BS 21 6XU England

### FRANCE

**HOMELITE TEXTRON**  
UNE DIVISION DE TEXTRON  
S.A.R.L.  
Z.I. du Vert-Galant  
Rue du Chateau/Rue de la Garenne  
95310 Saint-Quen-L'Aumone  
France

### NETHERLANDS

**HOMELITE TEXTRON**  
DIVISION OF TEXTRON ATLANTIC  
(HDQS. — Europe, Africa and Middle East)  
Haverstraat 24  
2153 GB Nieuw Vennepe  
The Netherlands

### AUSTRALIA

**HOMELITE DIVISION OF TEXTRON PACIFIC LIMITED**  
**HEADQUARTERS**  
22 Terra - Cotta Drive  
Blackburn, 3130  
Victoria, Australia

## CANADIAN OFFICES

### HOMELITE

DIVISION OF TEXTRON CANADA LIMITED  
1850 55th Avenue  
Lachine, Quebec, Canada  
H8T 3J5

212-214 590 Ebury Place  
Annacis Island  
Delta, British Columbia  
V3M 6K7

595 Canarctic Drive  
Downsview (Toronto)  
Ontario, Canada  
M3J 2P9

16520-111th Avenue  
Edmonton, Alberta  
T5M 3V8

691 Malenfant Blvd.  
Dieppe Industrial Park  
Dieppe, New Brunswick  
E1A 5T8

# HOMELITE **TEXTRON**

Homelite Division of Textron Inc.