

# Homelite®

- GB PARTS LIST
- F LISTE DE PIÈCES
- E LISTA DE PIEZAS

- GB MODEL
- F MODELE
- E MODELO

## XL98-D

### UT05049-A

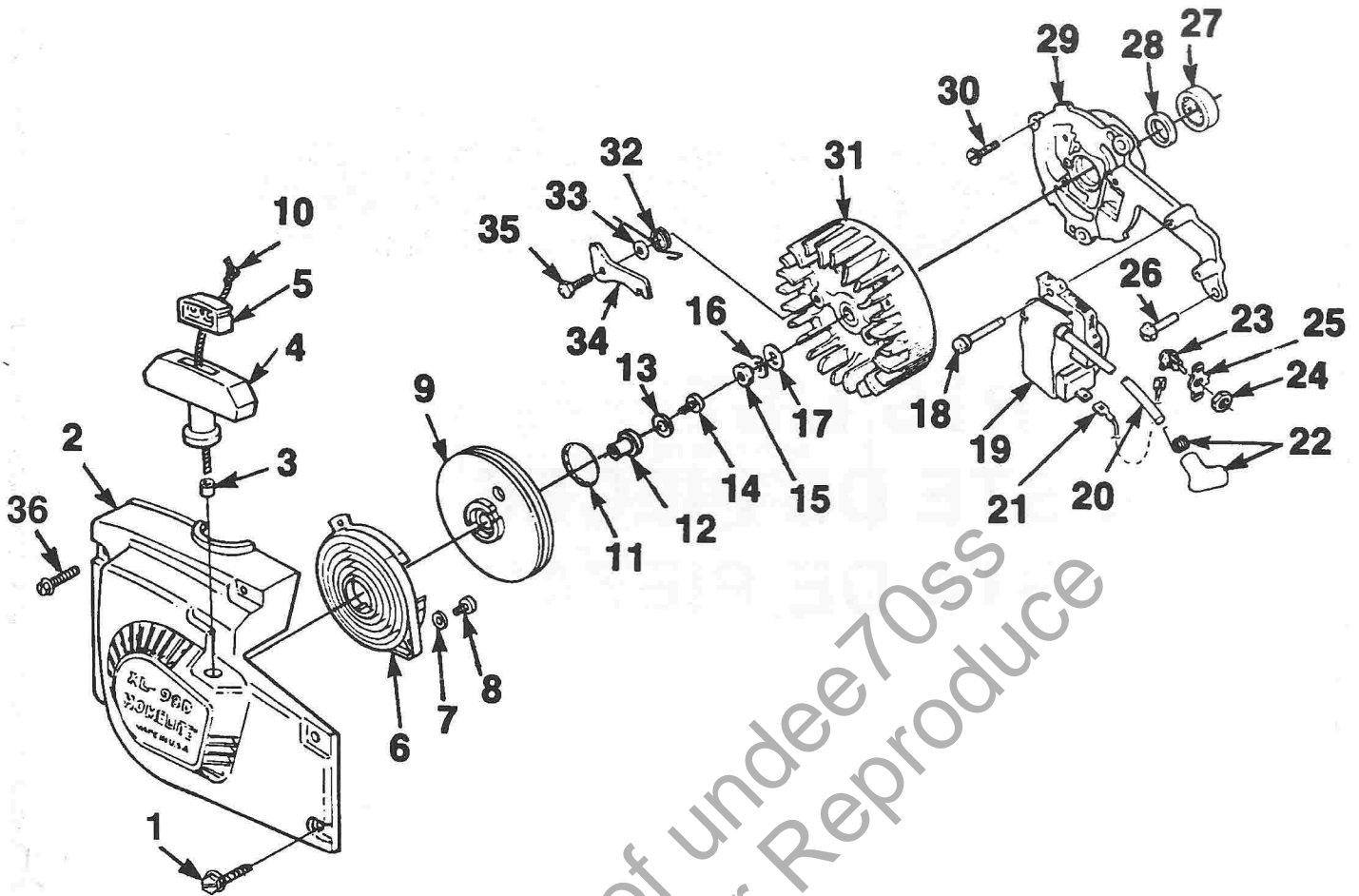
### UT05049-B

- GB MULTI-PURPOSE SAW
- F SCIE À USAGES MULTIPLES
- E SIERRA DE MULTIPLES APLICACIONES

Printed in U.S.A.  GB  
Imprimé aux U.S.A.  F  
Impreso en Estados Unidos  E

**P/N 19644**

# STARTER



N	PN	D	Q	N	PN	D	Q
1	82555 1	SCREW- Th. Hd. (10-24 X 3/4") Torx (T25)	3	19	• A 96798 A	MODULE- Ignition	1
2	• A 03619 A	HOUSING- Starter w/bushing	1	20	96743	LEAD- High Tension	1
3	67177	BUSHING	1	21	A 94850	LEAD- Ground	1
4	• A 60062 B	GRIP- Starter	1	22	A 33055	TERMINAL- Spark Plug	1
5	70018 A	INSERT	1	23	• A 57650 3B	SWITCH- Grounding	1
6	A 98067	SPIRING & RETAINER	1	24	72084 A1	NUT	1
7	84025	WASHER- Flat	2	25	12793 A	PLATE- Indicating	1
8	82528	SCREW- Thd. Form. (6-32 X 3/8")	2	26	80052	SCREW- Sems Hex Hd. (1/4-20 X 3/4")	1
9	• A 97990 C	PULLY & CUP	1	27	63195	BEARING- Roller	1
10	A 00518	STARTER ROPE	1	28	12283 A	SEAL	1
11	02525	SPRING-Grip	1	29	A 96799 A	PLATE- Back	1
12	97992 A	BUSHING- Starter Rope	1	30	80049	SCREW- (1/4-20 X 5/8")	1
13	58763	WASHER- Flat	1	31	96801 A	ROTOR	1
14	82409	SCREW- (10 7/8")	1	32	01101	SPRING- Starter Pawl	1
15	81124 A	NUT- Hex (3/8-24)	1	33	84115	WASHER- Flat	1
16	83102	WASHER- Lock (3/8")	1	34	58756 A	STARTER PAWL	1
17	84010	WASHER- Flat (3/8")	1	35	64054 C	SCREW- Shoulder	1
18	88044	SCREW- Sems Hex hd. (8-32 X 1")	2	36	96176	SCREW-Th. Hd. (10-24 X 1.625) Torx (T25)	2

No. No. N

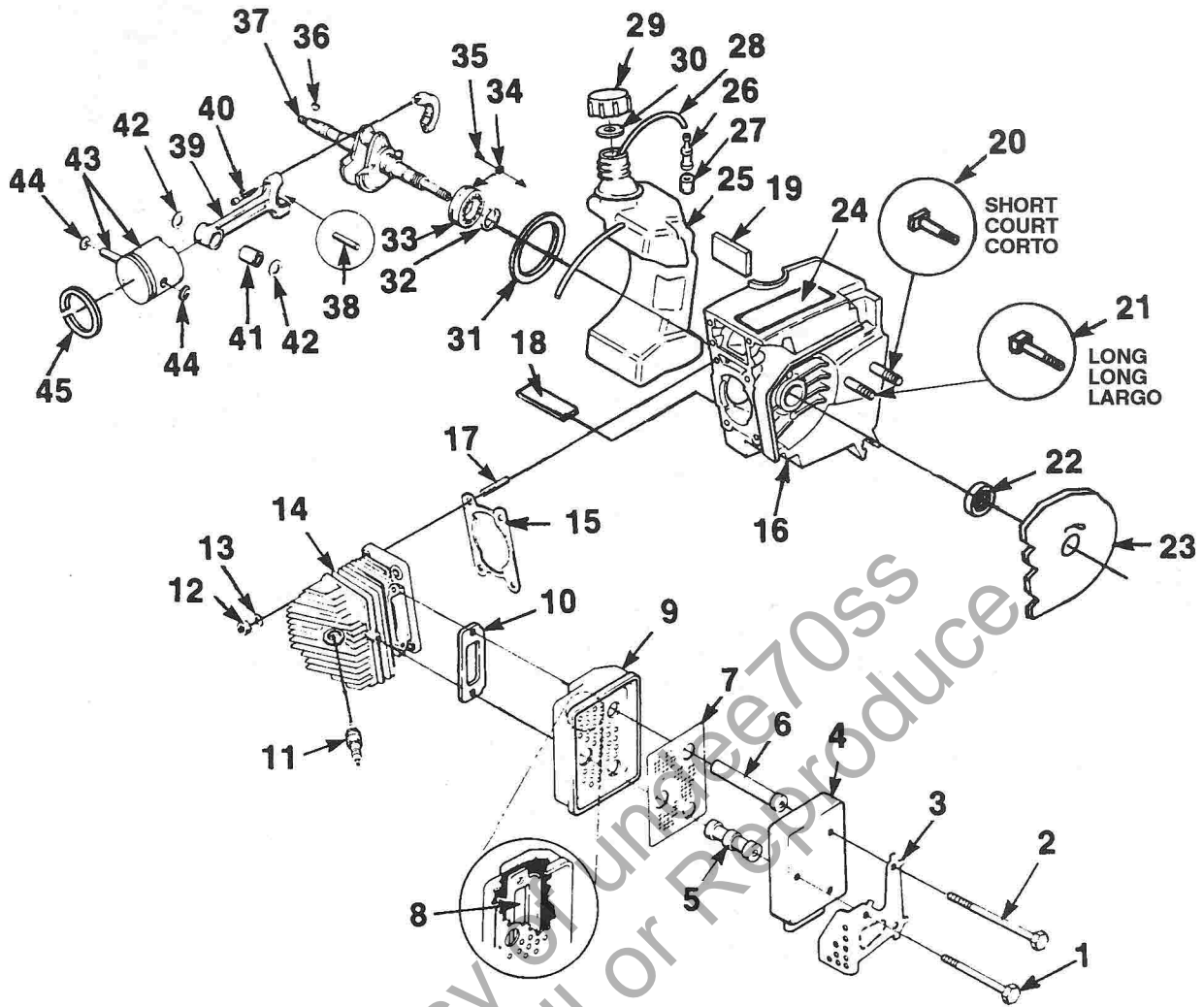
Part No. Pièce No. No. de pieza PN

Description D

Quantity Quantité Cantidad Q

Assemblies Ensembles Conjuntos •

# ENGINE INTERNAL - FUEL TANK - MUFFLER



N	PN	D	Q	N	PN	D	Q
1	• A 69864 C	COMPLETE MUFFLER	1	24	46788 A	DECAL- Instruction/Warning	1
2	95885	SCREW- Hex Hd.	1	25	• A 03498 A	FUEL TANK	1
3	82280	SCREW- Hex Hd. (1/4-20 X 3")	2	26	• A 97700	FILTER- Fuel	1
4	69842	SHIELD- Muffler	1	27	59253 1A	ELEMENT- Filter	1
5	A 69836 1	CAP- Muffler	1	28	93112 5B	TUBING- Rubber (13")	1
6	69844	SUPPORT- Short	1	29	• A 00982 B	CAP- Fuel	1
7	69843	SUPPORT- Long	1	30	98805 A	GASKET- Fuel	1
8	A 93900 A	SCREEN- Spark Arrestor	1	31	67559	"O" RING	1
9	69839	PLATE- Muffler	1	32	58319 A	RING- Retaining	1
10	A 69838 1	BODY- Muffler	1	33	58190	BEARING- Ball	1
11	78098	GASKET- Muffler	1	34	59705	WASHER- Lock	2
12	93561 S	SPARK PLUG	1	35	70306	SCREW- Torx (10-32)	2
13	96212	NUT- (1/4-28 X 3/8")	4	36	75078	KEY- Woodruff	1
14	83009	WASHER- Lock (1/4")	4	37	67168 4	CRANKSHAFT	1
15	• A 42206 B	CYLINDER	1	38	A 69056	BEARING- Needle	1
16	63778 1	GASKET- Cylinder	1	39	• A 69658 A	ROD- Connecting	1
17	• A 01846	CRANKCASE	1	40	69919	SCREW- Hex Hd. (8/32 X 1/2")	2
18	69438	STUD- Cylinder	4	41	69638 A	BEARING	1
19	03027	SPACER- Fuel Tank	1	42	68010	WASHER	2
20	03026 A	SPACER- Fuel Tank	1	43	• A 49314	PISTON & PIN ASSY.	1
21	67807	BOLT- (3/8-16 X 2 1/8")	1	44	64742	RING- Retaining	2
22	93918 A	BOLT- (3/8-16 X 2 11/32")	1	45	55537	PISTON RING	1
23	12306	SEAL	1				
24	64156 A	SAW DUST SHIELD	1				

No. N  
Nº  
No.

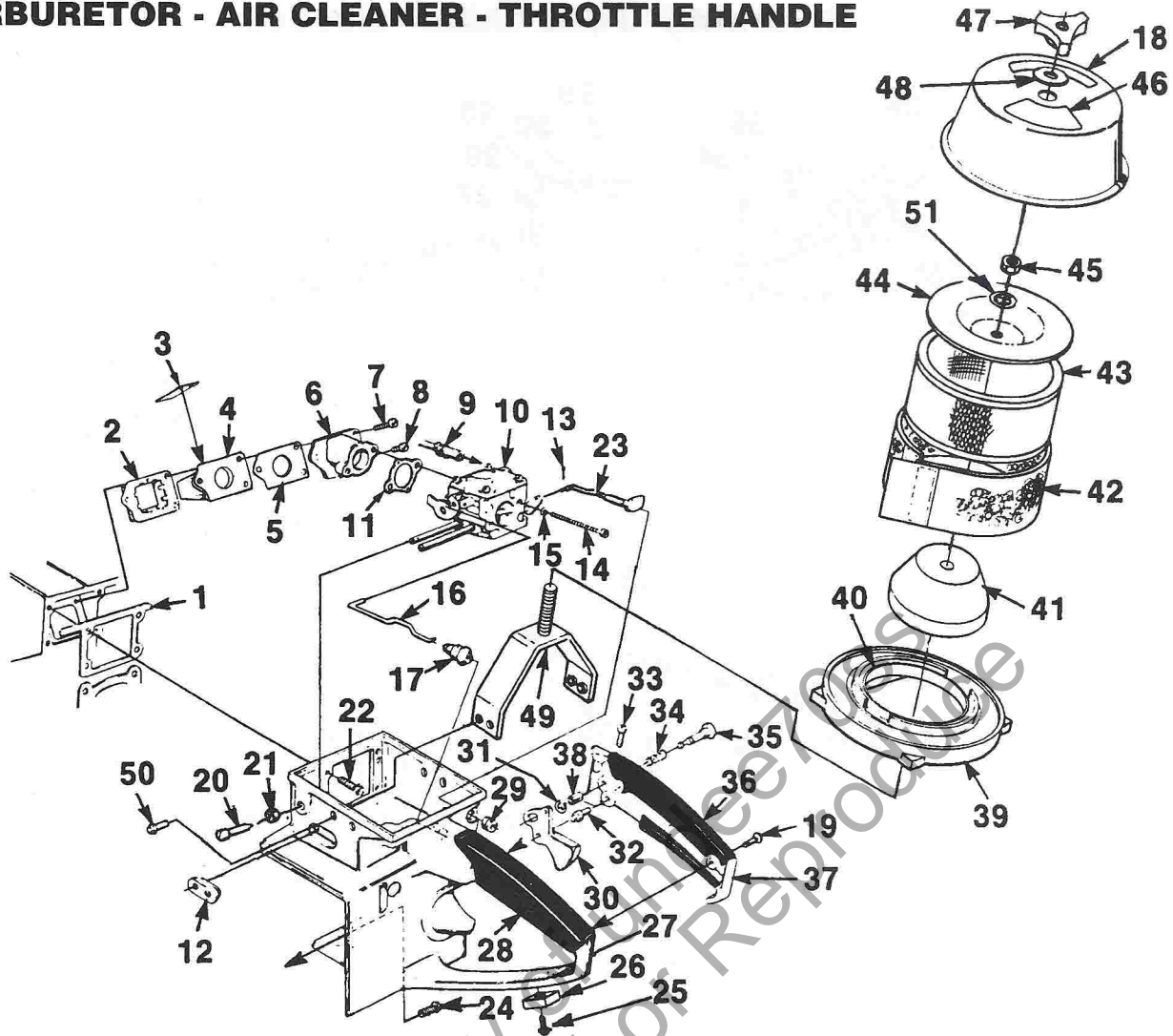
Part No. PN  
Pièce No.  
No. de pieza

Description D

Quantity Q  
Quantité  
Cantidad

Assemblies Ensembles  
Conjuntos

# CARBURETOR - AIR CLEANER - THROTTLE HANDLE



N	PN	D	Q	N	PN	D	Q
1	63779 C	GASKET	1	27	A 01845	HANDLE- Throttle	1
2	63370 A	RETAINER- Reed	1	28	68767	GRIP- Throttle Handle	1
3	63166 A	REED- Valve	4	29	64862	GROMMET	1
4	63371 B	SEAT- Reed Valve	1	30	65745	TRIGGER	1
5	65483	GASKET	1	31	58409	RING- Retaining	1
6	A 67460 1	SPACER- Carburetor	1	32	65719	PIN	1
7	82570	SCREW- (8-32 X 1 1/4")	2	33	80023 2	SCREW- (8-32 X 5/8")	1
8	82540	SCREW- Thread form. (8-32 X 1 1/4")	1	34	58405	SPRING- Throttle lock	1
9	93112 52	FUEL LINE	1	35	95671	PIN- Throttle	1
10	A 07156	CARBURETOR	1	36	68768	GRIP- Throttle Handle	1
11	67540	GASKET	1	37	A 69045	COVER- Throttle Handle	1
12	69751	GROMMET	1	38	59064	BUSHING	1
13	86324	COTTER PIN	1	39	A 49556 C	AIR FILTER KIT	1
14	82179	SCREW- (10-32 X 1 7/8")	2	40	A 50952 B	RING & GASKET ASSY.	1
15	83046	WASHER- Lock	2	41	50951	GASKET	1
16	63266 A	ROD- Throttle	1	42	49786	FILTER- Air	1
17	58348	BOOT- Throttle Rod	1	43	49213	PRE FILTER- Felt	1
18	49263	DECAL- Instruction	1	44	54620 B	ELEMENT- Air Filter	1
19	80560	SCREW- Pan hd. (8-32 X 1/2")	2	45	49212	COVER- Filter Element	1
20	63369 A	SCREW- Idle Adjustment	1	46	81162	NUT- Hex (5/16-18)	1
21	81117	NUT- Jam (5/16-24)	1	47	A 49687	DECAL- Warning	1
22	80676	SCREW- Hex hd. (12-24 X 5/8")	4	48	06365	KNOB-Handle	1
23	67201 1	CHOKE ROD	1	49	02762 A	GASKET	1
24	80891	SCREW- Hex hd. (12-24 X 7/8")	1	50	A 03498	BRACKET- Cover	1
25	88049	SCREW- (10-24 X 1/2")	1	51	03498	SCREW	4
26	49686 1	PAD- Wear	1		46072	GASKET	1

No.  
N°  
No. — N

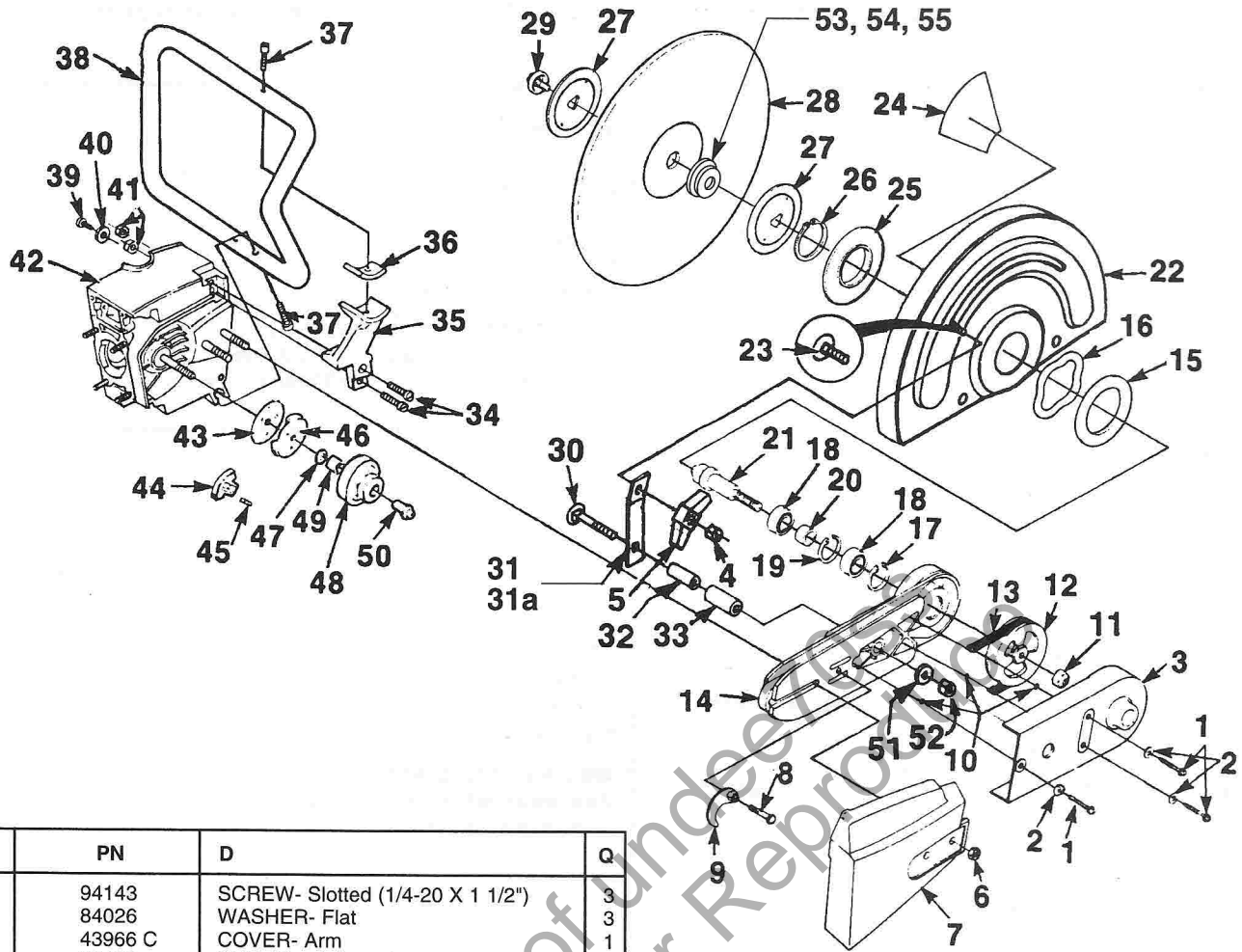
Part No.  
Pièce N°  
No. de pieza — PN

Description — D

Quantity  
Quantité  
Cantidad — Q

Assemblies  
Ensembles  
Conjuntos — •

# HANDLE - ARM ASSEMBLY - CLUTCH



N	PN	D	Q
1	94143	SCREW- Slotted (1/4-20 X 1 1/2")	3
2	84026	WASHER- Flat	3
3	43966 C	COVER- Arm	1
4	81162	NUT- Hex (5/16-18)	1
5	06364	KNOB-Handle	1
6	81089 2	NUT- Hex (10-24)	2
7	53579 5A	COVER-Drivecase	1
8	80087	SCREW-Hex hd. (5/16-18 X 1 1/2")	1
9	A 49194	CAM & ADJUSTER	1
10	46462	"O" RING	3
11	81245	NUT- Hex (1/2-13)	1
12	A 03233	PULLEY- Drive	1
13	46068	BELT- "V" Drive	1
14	• A 49558	ARM- Wheel	1
15	47387	SHIM	1
16	47388	SPRING- Wave	1
17	31746	RING- Retaining	1
18	63107	BEARING- Ball	2
19	47207	RING- Retaining	1
20	46067	SPACER- Bearing	1
21	01905 A	SHAFT- Wheel	1
22	A 01872 B	WHEEL GUARD KIT (12")	1
	A 01873 A	GUARD- Wheel (14")	1
23	82519 A	BOLT- Step (5/16-18 X 3/4")	1
24	48922 A	LABEL- Caution	1
25	46000	WASHER- Mounting	1
26	46065	RING- Retaining	1
27	01909 1	FLANGE- Wheel	1
28	* 64596 BS	WHEEL- Resinoid (12")	1
	* 49559	WHEEL- Resinoid (14")	1

\* See Page 6  
 \* Voir la Page 6  
 \* Consulte la Página 6

N	PN	D	Q
29	A 48783 A	KIT- Screw, Washer, Ret. Ring	1
30	82534	BOLT- Step (3 1/2")	1
31	02839 1	ARM- Adjusting (12")	1
31a	49817 1	ARM- Adjusting (14")	1
32	49819 A	SKIRT- Rubber	1
33	49553 A	TUBING- Rubber	1
34	80891	SCREW- Hex hrd. (12-24 X 7/8")	2
35	69829 2	BRACKET- Handle bar	1
36	51163	MOUNT- Shock (bracket)	1
37	80428 1	SCREW- Nylock (1/4-20 X 1")	3
38	A 49680 1	HANDLE BAR	1
39	80939	SCREW- Pan hd.	1
40	95935	WASHER	1
41	81225	NUT- Hex (12-24)	2
42	A 01846 A	CRANKCASE	1
43	93628	COVER- Clutch	1
44	A 69480 C	CLUTCH ASSEMBLY	1
45	67053	SPRING- Clutch	3
46	65760 1B	PLATE- Clutch	1
47	59933	WASHER- Thrust (Inner)	1
48	• A 49224	PULLEY- Bearing & Arm	1
49	51151	BEARING- Needle	1
50	A 97901 A	INNER RACE KIT	1
51	84027	WASHER- Flat	1
52	81162	NUT- Hex (5/16-18)	1
53	01902	SPACER- 1" Dia.	1
54	01903	SPACER- 22mm Dia.	1
55	01907	SPACER- 20mm Dia.	1

No. N° No.

Part No. Pièce N° No. de pieza PN

Description D

Quantity Quantité Cantidad Q

Assemblies Ensembles Conjuntos •

**ACCESSORIES****ACCESSOIRES****ACCESORIOS****WHEELS - Resinoid  
Roues - Resinoide  
Ruedas tipo resina**

**METAL** - (12" x 1") ..... 64597 BS  
**Métal** - (30,48cm x 2,54cm)  
**Metal** - (30,48cm x 2,54cm)

**DUCTILE** - (12" x 1") ..... 68421 AS  
**Ductile** - (30,48cm x 2,54cm)  
**Dúctil** - (30,48cm x 2,54cm)

**CONCRETE** - (12" x 1") ..... 64596 BS  
**Béton** - (30,48cm x 2,54cm)  
**Concreto** - (30,48cm x 2,54cm)

**CONCRETE** - (12" x 20mm) ..... 49826  
**Béton** - (30,48cm x 0,2cm)  
**Concreto** - (30,48cm x 0,2cm)

**DUCTILE** - (12" x 20mm) ..... 49825  
**Ductile** - (30,48cm x 0,2cm)  
**Dúctil** - (30,48cm x 0,2cm)

**METAL** - (12" x 20mm) ..... 49824  
**Métal** - (30,48cm x 0,2cm)  
**Metal** - (30,48cm x 0,2cm)

**DUCTILE** - (14" x 1") ..... 49560  
**Ductile** - (35,56cm x 2,54cm)  
**Dúctil** - (35,56cm x 2,54cm)

**METAL** - (14" x 1") ..... 49561  
**Métal** - (35,56cm x 2,54cm)  
**Metal** - (35,56cm x 2,54cm)

**WHEELS - Diamond  
Roues - Diamant  
Ruedas de diamante**

**CONCRETE** - (12" x 1 / 8" x 1") ..... A 49751 A  
**Béton** - (30,48cm x 0,31cm x 2,54cm)  
**Concreto** - (30,48cm x 0,31cm x 2,54cm)

**CONCRETE** - (14" x 1 / 8" x 1") ..... A 49572 A  
**Béton** - (35,56cm x 0,31cm x 2,54cm)  
**Concreto** - (35,56cm x 0,31cm x 2,54cm)

**SILASTIC** : ..... 24823  
**Silastic**  
**Silastic**

**DOLLY KIT** : ..... UT05032 B  
**Jeu pour chariot**  
**Juego de carretilla**

**CARRY CASE w / Insert** : ..... A 18009 A  
**Boîtier porteur avec insertion**  
**Meleta con inserto**

**WET CUTTING KIT** : ..... A 49649  
**Jeu pour découpe humide**  
**Juego de corte liquido**

**TOOLS****OUTILS****HERRAMIENTAS**

**SHIM - Air Gap** : ..... 24306  
**Cale - Couche d'air intermédiaire**  
**Calce - Intervalo de aire**

**BIT - Torx 1/4" Shank** : ..... 24982 01  
**Mèche Torx avec tige de (0,64cm)**  
**Broca torx con vastago de (0,64cm)**

**BIT - Torx 5/16" Shank** : ..... 24982 02  
**Mèche Torx avec tige de (0,79cm)**  
**Broca torx con vastago de (0,79cm)**

**PULLER - Rotor** : ..... A24544A  
**Extracteur de rotor**  
**Extractor de rotor**

**SCREW DRIVER** : ..... 24541  
**Tournevis**  
**Destornillador**

**WRENCH - Combination (5/8", 3/4", Screwdriver)** A 24824  
**Clé combiné**  
**Llave combinada**

**WRENCH - Clutch Spanner** : ..... A 23934  
**Clé à ergots réglable**  
**Llave ajustable**

**WRENCH - 1/2" Forged** : ..... 03000  
**Lame - Carbure**  
**Cuchilla - de carburo**

GB NOTES

F NOTES

E NOTAS

**XL98-D** UT05049 A

UT05049 B

Courtesy of Undee70ss  
Do Not Sell or Reproduce

**CUSTOMER ASSISTANCE**

FOR THE LOCATION OF YOUR  
NEAREST HOMELITE SERVICING  
DEALER IN THE UNITED STATES,  
PUERTO RICO, AND  
THE VIRGIN ISLANDS,

**CALL:**

**1-800-242-4672**

**HEADQUARTERS**

Homelite, Inc.  
P.O. BOX 7047  
CHARLOTTE, N.C. 28241

**OVERSEAS OFFICES**

**EUROPE, AFRICA & MIDDLE-EAST**

Homelite Netherlands B.V.  
A Deere & Company Affiliate  
Haverstraat 24  
2153 GB Nieuw Vennepe  
The Netherlands

**FRANCE**

Homelite Atlantic SARL  
Groupe Deere & Co.  
BP 7011  
95050 Cergy Pontoise Cedex  
France

**AUSTRALIA**

Homelite Pacific Ltd.  
A Deere & Company Affiliate  
ACN 008 683 538  
94 Rushdale Street  
P.O. Box 555 MDA  
Australia

**CANADIAN OFFICES**

Homelite Canada Limited  
Homelite Canada Limitée

A Deere & Company Affiliate/  
Une Filiale de Deere & Company  
1850-55e/th Avenue  
Lachine, Québec, Canada H8T 3J5  
1-800-363-5715

UNIT 212-214, 590 Ebury Place  
New Westminster, B.C. V3M 6K7  
1-800-667-3128

20-D Voyager Court South  
Etobicoke, Ontario M9W 5M7  
1-800-465-2249

**Homelite** inc.

A Subsidiary of Deere & Company