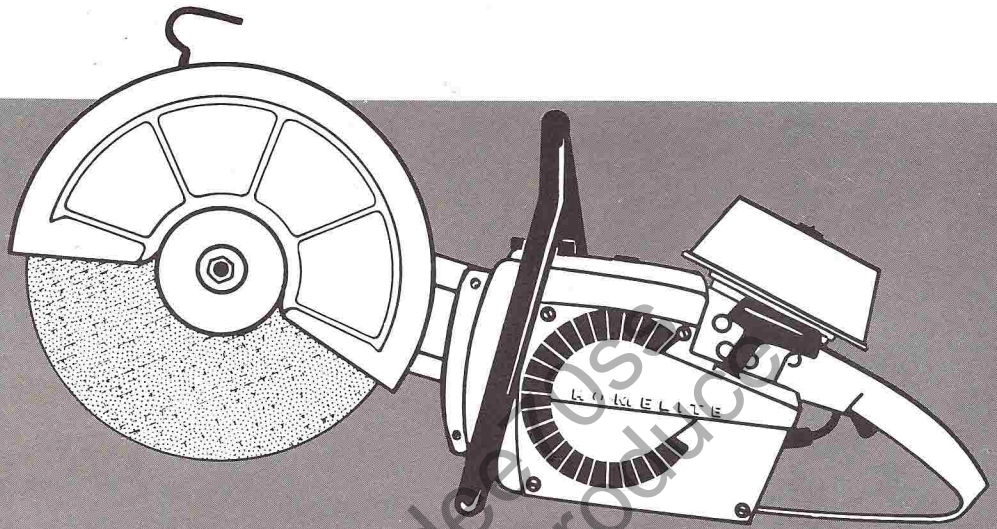


# ILLUSTRATED PARTS LIST

Part No. 24760 Rev. 1  
Printed in U.S.A.



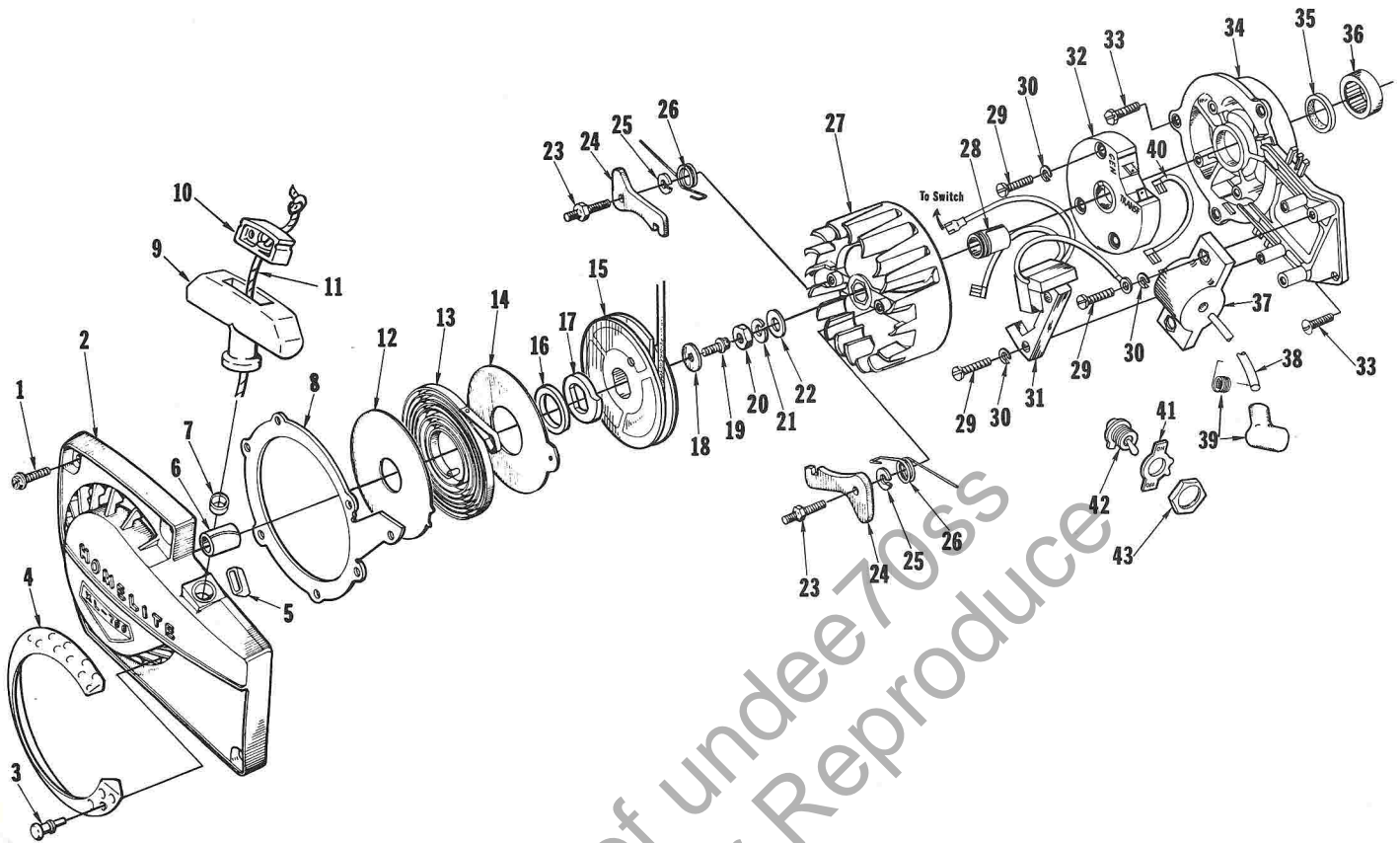
# XL98A

# MULTI-PURPOSE SAW

**HOMELITE** **TEXTRON**

Homelite Division of Textron Inc.

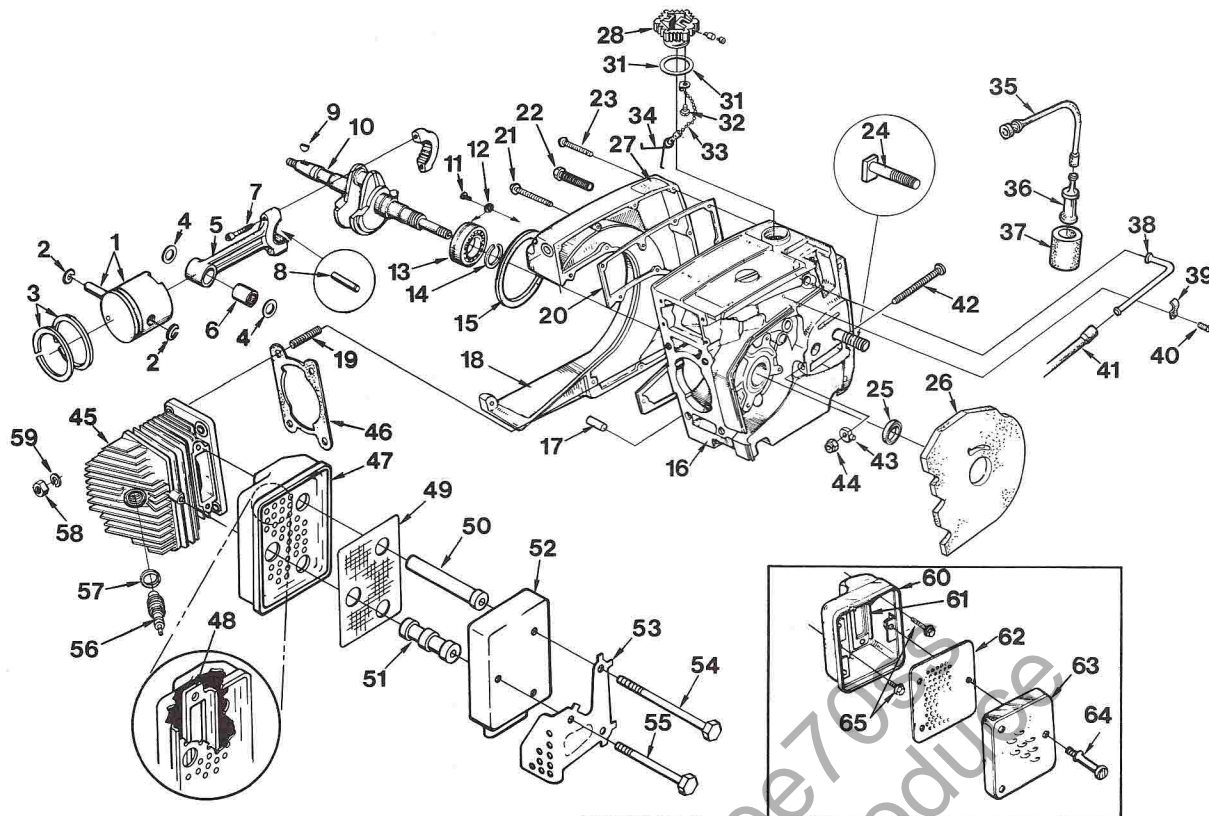
# XL-98 A



**FIGURE 1**

No.	Description	Part No.	Qty.	No.	Description	Part No.	Qty.
1	SCREW-Hex, spinlock, 12-24 x 5/8	80676	4	22	WASHER-Flat	84010-1	1
2	HOUSING, Fan Includes:	A-64504-B	1	23	STUD-Shoulder	58757-D	2
3	STUD-Drive	67191	11	24	PAWL-Starter	58756	2
4	SCREEN-Starter housing	A-64421	1	25	WASHER-Lock, #12	70901	2
5	BUSHING-Rewind spring	65830	1	26	SPRING-Starter pawl	65375-2	2
6	BUSHING-Starter post	64443	1	27	ROTOR-Magneto	67165	1
7	BUSHING-Starter rope	67177	1	28	CAP-Dust	64002	1
8	RING-Air flow	67409	1	29	SCREW-Pan, 8-32 x 3/4	82178	7
9	GRIP-Starter rope Includes:	A-69962-A	1	30	WASHER-Lock, #8	83022	7
10	INSERT-Rope	70018-A	1	31	COIL-Core and generator	67163	1
11	ROPE-Starter (48" long) #5	58806	1	32	MODULE-Ignition	67162	1
12	SHIELD-Spring (inner)	63566	1	33	SCREW-Hex, 1/4-20 x 5/8	80048	4
13	SPRING-Rewind	63268-A	1	34	PLATE-Back Includes:	A-67618-1A	1
14	SHIELD-Spring (outer)	63565-A	1	35	SEAL	12282-A	1
15	PULLEY & CUP ASSEMBLY Includes:	A-64446	1	36	BEARING-Roller	63195	1
16	BUSHING-Spring lock	64400	1	37	COIL-Transformer	67164-A	1
17	LOCK-Rewind Spring	64049-A	1	38	LEAD-High tension	67166	1
18	WASHER-Retaining	58763	1	39	TERMINAL-Spark plug	A-33055	1
19	SCREW-Hex, 10-32 x 1/2	80648	1	40	LEAD-Transformer	67167	1
20	NUT-Hex, jam, 3/8-24	81124	1	41	PLATE-"ON-OFF"	72085-A	1
21	WASHER-Lock, 3/8	83102	1	42	SWITCH Includes:	A-57650-3A	1
				43	NUT	72084-A1	1

# XL-98 A



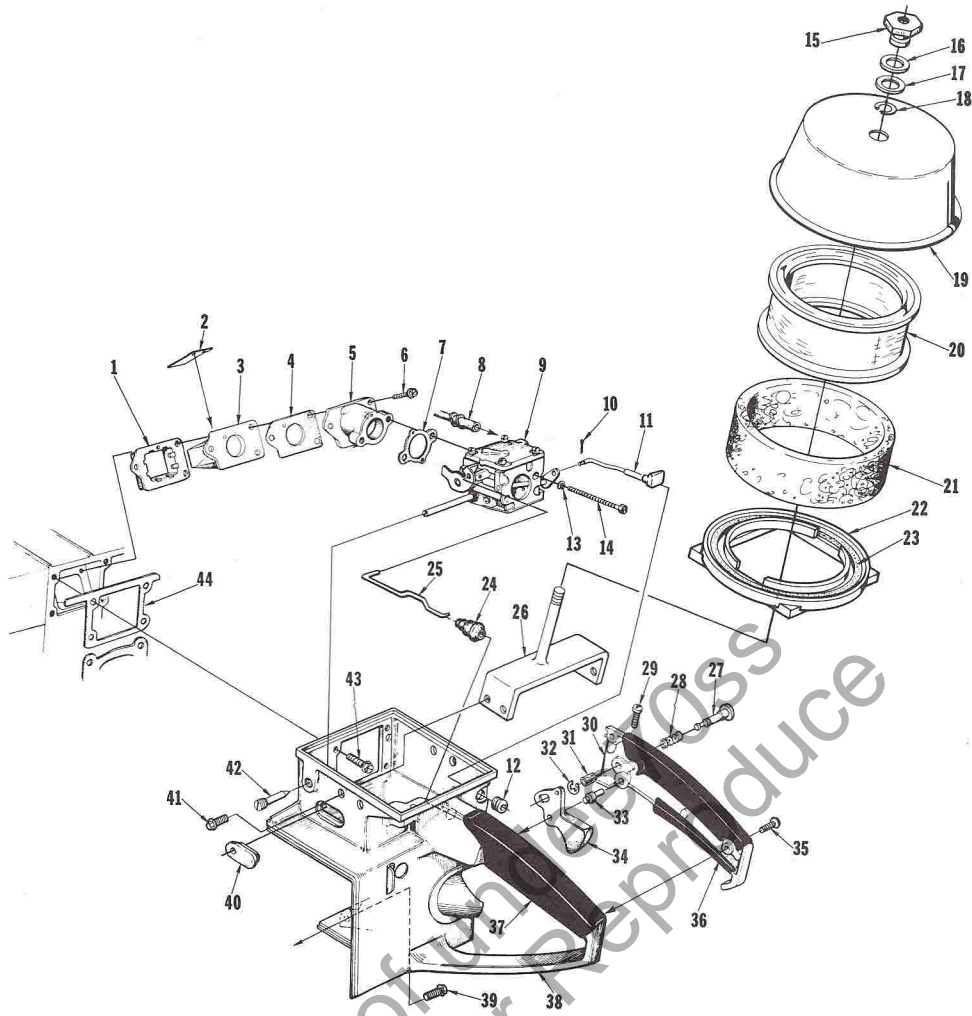
**FIGURE 2**

No.	Description	Part No.	Qty.	No.	Description	Part No.	Qty.
1	PISTON Includes:	A-67989-1	1	36	FILTER-Fuel Includes:	A-59251	1
2	RING-Piston pin retaining	64742	2	37	FILTER-Felt	59253-1	1
3	PISTON RING	68249	2	38	CONNECTOR-Fuel	67080	1
4	WASHER-Thrust	68010	2	39	CLAMP-Fuel line	65597-1	1
5	ROD-Connecting Includes:	A-69658-A	1	40	SCREW-Pan 6-32x5 <sup>1</sup> / <sub>16</sub>	80605	1
6	BEARING-Needle	69638	1	41	LINE-Fuel	65718-B	1
7	SCREW-Soc. hd. 8-32 x 9 <sup>1</sup> / <sub>16</sub>	69919	2	42	SCREW-Adjusting	63367	1
8	BEARING-Needle (set of 28)	A-69056	1	43	PIN-Adjusting	67586-1A	1
9	KEY-Woodruff	75078	1	44	NUT- <sup>1</sup> / <sub>4</sub> -20	81204	1
10	CRANKSHAFT	67168-2	1	45	CYLINDER	A-42206-A	1
11	SCREW-Torx	70306	2	46	Includes:		
12	WASHER-Lock	59705	2	47	GASKET-Cylinder	63778-1	1
13	BEARING-Ball	58190-S	1	48	MUFFLER-Complete	A-69864	1
14	RING-Retaining	58319-A	1	49	Includes:		
15	"O" RING	67559	1	50	BODY-Muffler	A-69838-1	1
16	CRANKCASE & TANK Includes:	A-53625	1	51	PLATE-Muffler body	69839	1
17	PIN-Dowel	63621	1	52	SHIELD-Muffler	69842	1
18	COVER-Fuel tank	67153-2	1	53	SUPPORT-Muffler (long)	69843	2
19	STUD	55871	4	54	SUPPORT-Muffler (short)	69844	1
20	GASKET-Fuel tank	65391	1	55	CAP-Muffler	A-69836-1	1
21	SCREW-Fil hd. 8-32 x 3 <sup>4</sup> / <sub>4</sub>	82147	1	56	ARRESTOR-Spark (accessory)	69840	1
22	SCREW-Fil hd. 8-32 x 2- <sup>3</sup> / <sub>16</sub>	82155	8	57	SCREW-Hex <sup>1</sup> / <sub>4</sub> -20 x 3	82280	2
23	SCREW-Fil hd. 8-32 x <sup>5</sup> / <sub>8</sub>	82146	6	58	SCREW-Hex <sup>1</sup> / <sub>4</sub> -20 x 2 <sup>3</sup> / <sub>8</sub>	69850	1
24	BOLT-Guide bar	67807	2	59	SPARK PLUG-Champion CJ-6	63547-S	1
25	SEAL	12282-A	1	60	Includes:		
26	SHIELD-Sawdust	A-64715	1	61	GASKET	25038	1
27	DECAL-Caution	64144	1	62	Nut-Hex <sup>1</sup> / <sub>4</sub> -28	81065-2	4
28	CAP-Fuel filter	A-69500	1	63	WASHER-Lock <sup>1</sup> / <sub>4</sub>	83009	4
31	GASKET-Filter cap	69501	1	64	BODY-Muffler	A-68979	1
32	SCREW-#6 x <sup>1</sup> / <sub>4</sub>	82256	1	65	Includes:		
33	CHAIN Bead	69502	1	61	PLATE-Muffler	69839	1
34	RETAINER	69503	1	62	BAFFLE-Muffler	65633	1
35	LINE-Fuel (flexible)	65593-A	1	63	CAP-Muffler	A-69591-1	1
				64	SCREW-Shoulder	68480	3
				65	SCREW-Spinlock	80402	3

**ACCESSORY**

ARRESTOR-Spark (do not use with A-69864)	A-63540-C	1
---	-----------	---

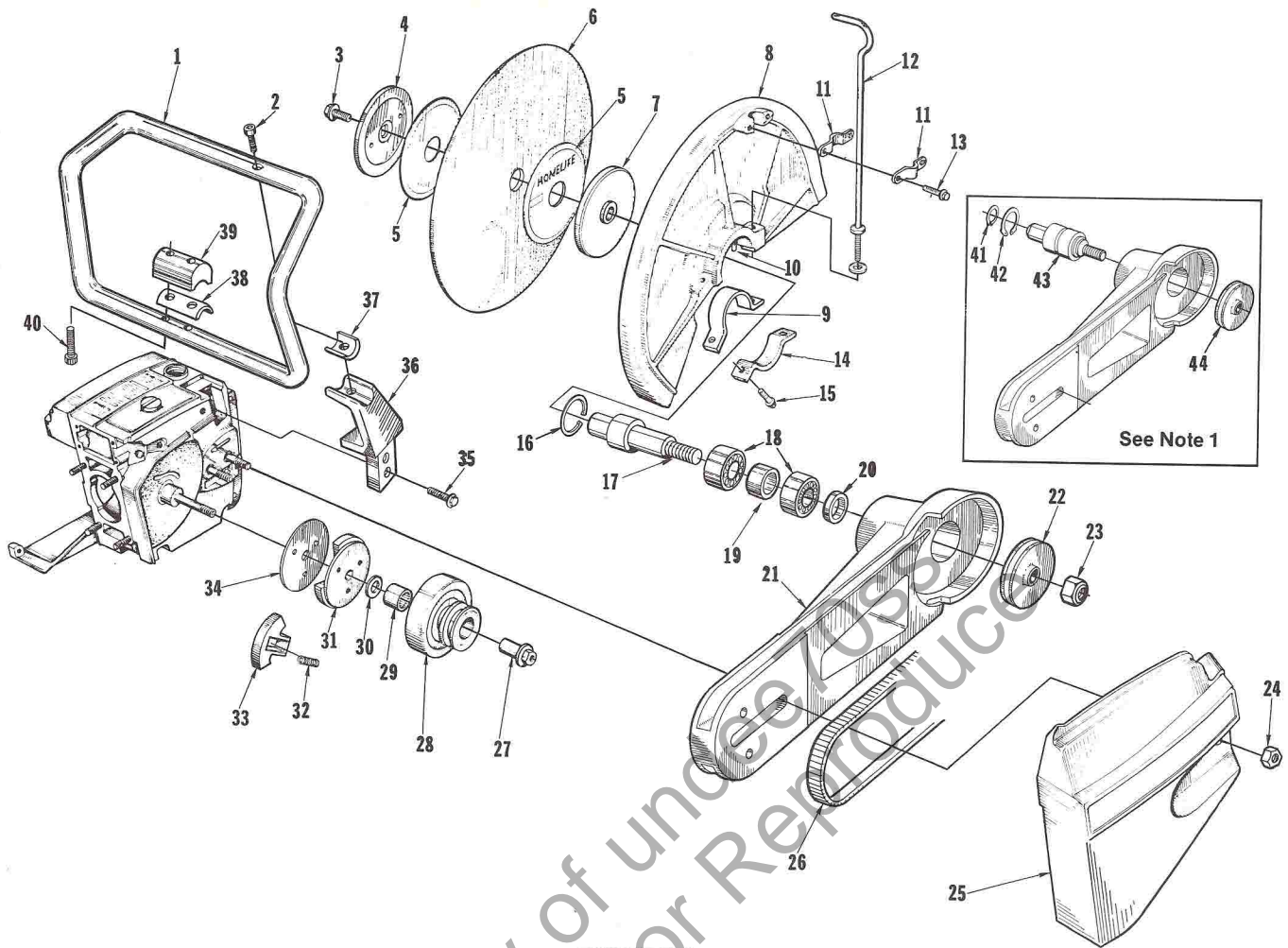
# XL-98 A



**FIGURE 3**

No.	Description	Part No.	Qty.	No.	Description	Part No.	Qty.
1	RETAINER-Reed valve	63370-A	1	22	RING-Air filter mounting	A-50952	1
2	REED-Valve	63166-A	4		Includes:		
3	SEAT-Reed Valve	63371-B	1	23	GASKET-Air filter	50951	1
4	GASKET-Reed valve seat	65483	1	24	BOOT-Throttle rod	58348	1
5	MANIFOLD-Intake	A-67460-1	1	25	ROD-Throttle	63266-A	1
6	SCREW-Pan hd. 8-32 × 1-1/8	82196	3	26	BRACKET-Cover mounting	A-50955-1A	1
7	GASKET-Carburetor	67540	1	27	PIN-Throttle latch	58924-4	1
8	LINE-Fuel	65718-B	1	28	SPRING-Throttle latch	58405	1
9	CARBURETOR	A-42208	1	29	SCREW-Fil. hd. 8-32 × 5/8	80023-2	1
10	PIN-Cotter	86324	1	30	COVER-Throttle handle	A-69045	1
11	ROD-Choke	A-68429	1		Includes:		
12	GROMMET	64862	1	31	BUSHING-Nylon	59064	1
13	WASHER-Lock # 10	83046	2	32	RING-Retaining	58409	1
14	SCREW-Hex hd. 10-32 × 1-7/8	82179	2	33	PIN-Trigger latch	65719	1
15	NUT-Cover mounting	A-67639-1	1	34	TRIGGER-Throttle	65745	1
16	WASHER-Nylon	54536	1	35	SCREW-Pan hd. spinlock, 8-32 × 1/2	80560	2
17	WASHER-Rubber	50950	1	36	GRIP-Throttle handle cover	68768	1
18	RING-Retaining	58319-A	1	37	GRIP-Throttle handle	68767	1
19	COVER-Air Filter	A-50957-A	1	38	HANDLE-Throttle	A-51142-1	1
	Includes:			39	SCREW-Hex	80891	1
	GASKET-Air filter (not shown)	50951	1	40	GROMMET-"LO"	51144	1
20	ELEMENT-Air filter	54620-A	1	41	SCREW-Pan hd. 8-32 × 1/4	80575	4
21	ELEMENT-Air filter (foam)	51173	1	42	SCREW-Idle adjustment	63369	1
				43	SCREW-Hex, spinlock, 12-24 × 5/8	80676	4
				44	GASKET-Throttle handle	63779-C	1

# XL-98 A

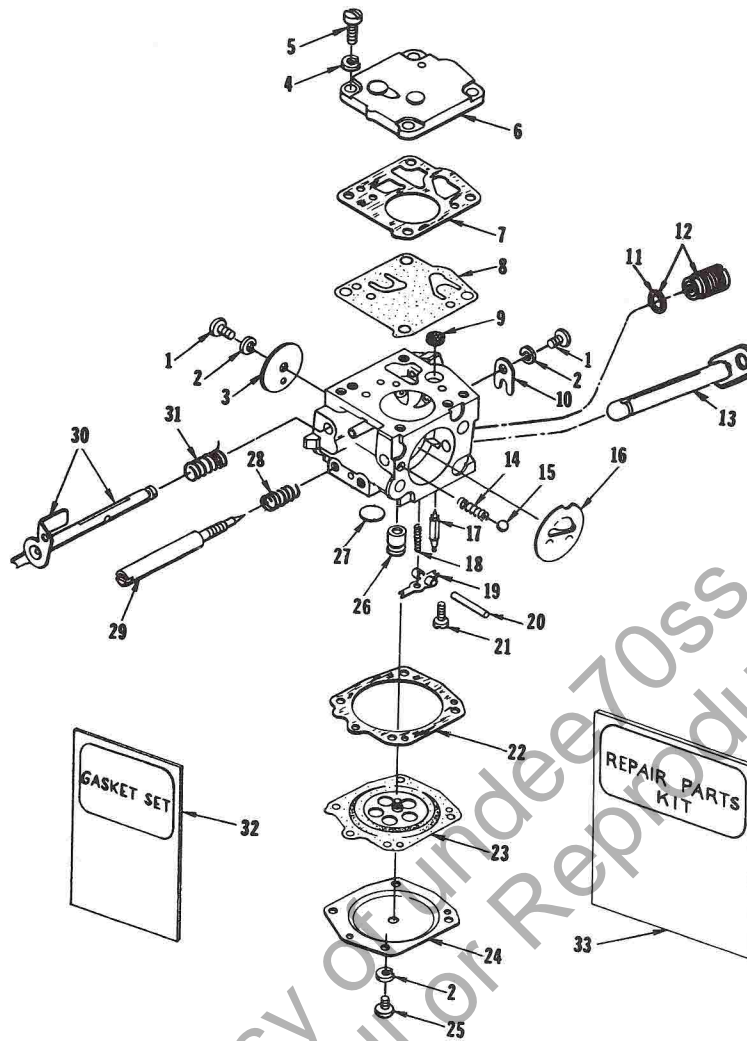


**FIGURE 4**

No.	Description	Part No.	Qty.	No.	Description	Part No.	Qty.
1	HANDLE BAR	A-53573-4	1	19	SPACER-Inner	43210	1
2	SCREW-Soc. hd. (1/4-2 x 1")	80428-1	1	20	SPACER-Pulley	43209	1
3	BOLT-Blade	59224	1	21	ARM-Blade	43226-2	1
4	WASHER-Outer	69970-2	1	22	PULLEY-Driver	69827-1	1
5	SPACER-Blotter (included with wheel pkg.)	24174	2	23	NUT-Elastic stop (7/16-14)	81231	1
6	WHEEL-Masonry (10 wheels in pkg.)	64596-BS	1	24	NUT-Hex (3/8-16)	81089-2	2
	WHEEL-Metal	64597-BS	1	25	COVER-Drivecase	53579-2	1
	WHEEL-Ductile iron	68421-AS	1	26	BELT-Drive	64498	1
7	WASHER-Inner	69971-2	1	27	RACE-Inner	A-51149	1
8	GUARD-Blade	A-51251-A	1	28	PULLEY-Bearing & drum assembly	A-51146	1
	Includes:				Includes:		
9	SLEEVE-Blade guard	51198-2	1	29	BEARING	51151	1
10	PIN	43268	1	30	WASHER-Thrust (inner)	58833	1
	KIT-Hook, bolt & clamp	A-65564	1		CLUTCH	A-69480	1
	Includes:				Includes:		
11	CLAMP	64383-1	2	31	PLATE-Clutch	65760-1	1
12	BOLT-Hook	A-65552-1	1	32	SPRING-Clutch	67053	3
13	SCREW-Hex, spinlock (1/4-20 x 1/2)	80681-3	2	33	SHOE-Clutch	69461	3
14	CLAMP	64651-1	1	34	COVER-Clutch	63051	1
15	SCREW-Hex, spinlock (1/4-20 x 13/16)	80573	1	35	SCREW-Hex spinlock (12-24 x 3/4)	80867	2
	KIT-Blade arm (see note)	A-43227	1	36	BRACKET-Handle bar	69829-2	1
	Includes:			37	SPACER-Shock mount	51163	1
16	RING-Retaining	29527	1	38	SPACER-Shock mount	51162	1
17	SHAFT-Blade (see note)	A-43211	1	39	SPACER-Handle bar	50724-2	1
18	BEARING	63107-S	2	40	SCREW-Soc. cap (1/4-20 x 17/8)	82242	2
				41	RING-Retaining	51155	1
				42	RING-Retaining	51199	1
				43	SHAFT-Blade w/bearing	51158-1	1
				44	PULLEY-Driven	50741	1

**Note 1**—Units prior to S/N 5351T140 use A-43227, to convert to latest type arm & shaft.

# XL-98 A Carburetor



HS-135A

A-42208

No.	Description	Part No.	Qty.	No.	Description	Part No.	Qty.
1	SCREW-Rd. 4-40 × 3/16	†80264	2	18	SPRING-Control lever	†55759	1
2	WASHER-Lock #4	†83008-1	6	19	LEVER-Inlet control	†59716	1
3	SHUTTER-Throttle	67994	1	20	PIN-Control lever fulcrum	†58977	1
4	WASHER-Lock #6	83024	4	21	SCREW-Oval 4-40 × 1/4	†65798	1
5	SCREW-Fil 6-32 × 3/8	80275	4	22	GASKET-Main diaphragm	58978	1
6	COVER-Fuel pump diaphragm	58975	1	23	DIAPHRAGM-Main control	†58988	1
7	GASKET-Pump diaphragm	58981	1	24	COVER-Main diaphragm	58979	1
8	DIAPHRAGM	†58980-R	1	25	SCREW-Rd. 4-40 × 1/4	80591	4
9	SCREEN-Fuel inlet	†58974	1	26	VALVE-Check	A-51348	1
10	CLIP-Throttle shaft retaining	58982	1	27	PLUG-Extension (large)	†58991	1
11	GASKET-Governor valve	74060	1	28	SPRING-Adjustment needle	†73075	1
12	GOVERNOR VALVE	A-42209	1	29	SCREW-Idle adjustment	63677	1
13	LEVER-Choke	A-69789	1	30	SHAFT-Throttle w/lever	A-67995	1
14	SPRING-Choke friction	73264	1	31	SPRING-Throttle shaft return	†59460	1
15	BALL-Choke friction	25527	2	32	GASKET SET	†67866	1
16	SHUTTER-Choke	58984	1	33	KIT, Repair	67870	1
17	NEEDLE-Inlet	59717	1				

†Included in Repair Kit

## ACCESSORIES

	Qty.
CARRYING CASE & KIT	A-53611-B 1
Includes:	
CARRYING CASE	A-53610-1 1
KIT-Operator	A-24110-1B 1
ELEMENT-Air filter	54620-A 1
BELT-Drive	64498 1
FUEL CAN-Safety	64599 1
GOGGLES-Safety	64598 1
OIL-Engine (1/2 pt. can) 6 pack	23394 1
WHEEL-Masonry	64596-BS 1
WHEEL-Metal	64597-BS 1
WHEEL-Resinoid	68421-AS 1
BLADE-Saw	64595-S 1
REEL-Starter rope (250 ft.) #5	57084-1 1
KIT-Wet cutting	A-50561 1
Includes:	
FITTING-Water outlet	50553-2 1
CONNECTOR-Water line	50554 1
FITTING-Tube	50558 6
LINE-Water	50556 1
COUPLING-Water line	50555 1
ARRESTOR-Spark	A-63540-C 1

## TOOLS

SEALANT	24823
ANVIL-Bearing installation	23968
ANVIL-Crankshaft installation	23846-1
COLLAR-Bearing installation	22820-3
JACKSCREW ASSEMBLY	A-24570
Includes:	
WASHER-Flat, 1/2	84035
JACKSCREW-Bearing remover (back plate)	A-23962
PLATE-Crankshaft aligning	24006-1
PLIERS-Retaining ring (piston pin)	22828
PLUG-Bearing installation	23420
PLUG-Bearing installation	24113
PLUG-Bearing and seal installation (back plate)	23956
PLUG-Bearing installation (connecting rod)	23955
PLUG-Piston pin removal	A-23951
Includes:	
"O" Ring	67900
PLUG-Seal installation (crankcase)	23957
PLUG-Seal installation	24302
PULLER-Magneto rotor	A-23960

## TOOLS

SHIM-Plastic (black)	24306
SLEEVE-Bearing removal	24114
SLEEVE-Bearing & shaft installation	23136-2
SLEEVE-Seal installation (crankcase only)	23972
SLEEVE-Seal protecting (crankcase)	23759
SPANNER WRENCH ASSEMBLY	A-23934
Includes:	
PIN-Clutch spanner	23954
WRENCH-Socket screw (connecting rod)	23528
BIT-Torx driver	24982-01 or 24982-02
WRENCH-Socket	68651
SCREW DRIVER	24541
WRENCH-Blade	A-24085
Includes:	
PIN-Dowel (2)	31062

Part No.	Description	Qty.	Part No.	Description	Qty.	Part No.	Description	Qty.	Part No.	Description	Qty.
12282-A	Seal	2	51198	Sleeve	1	64400	Bushing	1	69501	Gasket	1
22820-3	Collar	1	A-51251	Guard	1	A-64421	Screen	1	69502	Chain Bead	1
22828	Pliers	1	A-51348	Valve	1	64443	Bushing	1	69503	Retainer	1
23136-2	Sleeve	1	A-53573-2	Crankcase & Tank	1	A-64446	Pulley	1	A-69591-1	Cap	1
23394	Oil	6	A-53573-2	Handle Bar	1	64498	Belt	1	A-69598	Cap	1
23420	Plug	1	A-53573-4	Handle Bar	1	A-64504-B	Housing	1	69638	Bearing	1
23475	Spray Can	1	53579-2	Cover	1	64595-S	Blade	1	A-69658-A	Rod	1
23528	Wrench	1	A-58610	Case	1	64596-BS	Wheel	1	69789	Lever	1
23759	Sleeve	1	A-53611-B	Carrying Case & Kit	1	64597-BS	Wheel	1	69829-2	Bracket	1
23846-1	Anvil	1	A-53625	Crankcase & Tank	1	64598	Goggles	1	A-69836-1	Cap	1
23846-2	Anvil	1	54536	Washer	1	64599	Fuel Can	1	A-69838-1	Body	1
A-23934	Wrench	1	54620-A	Element	1	64651-1	Clamp	1	69839	Plate	1
A-23937-B	Wrench	1	55759	Spring	1	A-64715	Shield	1	69842	Shield	1
A-23951	Plug	1	55871	Stud	4	64742	Ring	2	69843	Support	1
23954	Pin	3	57084-1	Reel	1	64862	Grommet	1	69844	Support	1
23955	Plug	1	A-57650-3A	Switch	1	65375-2	Spring	2	A-69864	Muffler	1
23956	Plug	1	58190-S	Bearing	1	65391	Gasket	1	A-69962-A	Grip	1
23957	Plug	1	58319-A	Ring	2	65483	Gasket	1	69970-2	Washer	1
A-23960	Puller	1	58348	Boot	1	A-65552-1	Bolt	1	70018-A	Insert	1
A-23962	Jackscrow	1	58405	Spring	1	A-65564	Kit-hook & bolt	1	70306	Screw, Torx	2
23968	Anvil	1	58409	Ring	1	65593-A	Line	1	72084-A1	Nut	1
23972	Sleeve	1	58756	Pawl	2	65597-1	Clamp	1	72085-A	Plate	1
24006-1	Plate	1	58757-B	Kit-operators	2	65633	Baffle	1	73075	Spring	1
A-24085	Wrench	1	58763	Washer	1	65718-B	Line	1	73264	Spring	1
A-24110-1B	Kit-operators	1	58806	Rope	1	65719	Pin	1	74060	Gasket	1
24113	Plug	1	58883	Washer	1	65745	Trigger	1	75078	Key	1
24114	Sleeve	1	58924-4	Pin	1	65760-1	Plate	1	FASTENING PARTS		
24174	Spacer	2	58974	Screen	1	65798	Screw	1	69850	1/4-20 x 2 3/8	1
24302	Plug	1	58975	Cover	1	65830	Bushing	1	69919	8-32 x 9/16	2
24306	Shim	1	58977	Pin	1	67053	Spring	3	70901	Washer	2
24541	Screwdriver	1	58978	Gasket	1	67080	Connector	1	80023-2	8-32 x 5/8	1
A-24570	Jackscrow	1	58979	Cover	1	67153-2	Cover	1	80048	1/4-20 x 5/8	4
24982-01	Bit	1	58980-R	Diaphragm	1	67162	Module	1	80264	4-40 x 3/16	2
24982-02	Bit	1	58981	Gasket	1	67163	Coil	1	80275	6-32 x 3/8	4
25038	Gasket	1	58982	Clip	1	67164	Coil	1	80402	1/4-20 x 5/8	3
25527	Ball	2	58984	Shutter	1	67165	Rotor	1	80428-1	1/4-2 x 1	1
29527	Ring	1	58988	Diaphragm	1	67166	Lead	1	80560	8-32 x 1/2	2
31062	Pin, Dowel	1	58991	Plug	1	67167	Lead	1	80573	1/4-20 x 1 3/16	1
A-33055	Terminal	1	58998	Diaphragm	1	67168	Crankschaft	1	80575	8-32 x 1/4	4
A-42206-A	Cylinder	1	59024	Bolt	1	67168-2	Crankschaft	1	80591	4-40 x 1/4	4
A-42208	Carburetor	1	59224	Bolt	1	67177	Bushing	1	80605	6-32 x 9/16	1
A-42209	Valve	1	A-59251	Filter	1	67191	Stud	11	80648	10-32 x 1/2	1
43209	Spacer	1	59460	Spring	1	67409	Ring	1	80676	12-24 x 5/8	8
43210	Spacer-inner	1	59705	Washer	2	A-67460-1	Manifold	1	80681-3	1/4-20 x 1/2	2
43211	Shaft	1	59716	Lever	1	67540	Gasket	1	80867	12-24 x 3/4	2
43226-2	Arm	1	59717	Needle	1	67559	"O" Ring	1	80891	12-24 x 7/8	1
A-43227	Kit	1	63051	Cover	1	67586-1A	Pin	1	80978	Screw	2
43268	Pin	1	63107-S	Bearing	2	A-67618-1A	Plate	1	81065-2	Nut-1/4-28	4
50553-2	Fitting	1	63166-A	Valve	4	A-67639-1	Nut	1	81089-2	Nut-3/8-16	2
50554	Connector	1	63195	Bearing	1	68651	Wrench	1	81091-2	Nut-3/8-16	2
50555	Coupling	1	63266-A	Rod	1	67807	Bolt	2	81124	Nut-3/8-20	1
50556	Line	1	63268-A	Spring	1	67866	Gasket	1	81204	Nut-1/4-20	1
50558	Fitting	6	63367	Screw	1	67870	Kit-repair	1	81231	Nut-7/16-14	1
A-50561	Kit-wet cutting	1	63369	Screw	1	67900	"O" Ring	1	82146	8-32 x 5/8	6
50724-2	Spacer	1	63370-A	Retainer	1	A-67989-1	Piston & Pin	1	82147	8-32 x 1-3/4	1
50741	Pulley	1	63371-B	Seat	1	67994	Shutter	1	82155	8-32 x 2-3/16	8
50950	Washer	1	A-63540-C	Arrestor	1	A-67995	Shaft	1	82178	8-32 x 3/4	7
50951	Gasket	2	63547-S	Spark Plug	1	68010	Washer	2	82179	10-32 x 1-7/8	2
A-50952	Ring	1	63565-A	Shield	1	68249	Piston Ring	2	82196	8-32 x 1-1/8	3
A-50955-1A	Bracket	1	63566	Shield	1	68421-S	Wheel	1	82242	1/4-20 x 1-7/8	2
A-50957-A	Cover	1	63621	Pin	2	A-68429	Rod	1	82256	#6 x 1/4	1
A-51142-1	Handle	1	63677	Screw	1	68480	Screw	3	82280	1/4-20-3	2
51144	Grommet	1	63778-1	Gasket	1	68651	Wrench	1	83008-1	Washer #4	7
A-51146	Pulley	1	63779-C	Gasket	1	68767	Grip	1	83009	Washer-1/4	4
A-51149	Race	1	64002	Cap	1	68768	Grip	1	83022	Washer #8	7
51151	Bearing	1	64049-A	Lock	1	A-68979	Body	1	83024	Washer #6	4
51158-1	Bearing	1	64144	Decal	1	A-69045	Cover	1	83046	Washer #10	2
51162	Spacer	1	64383-1	Clamp	2	A-69056	Bearing	1	82102	Washer-3/8	1
51163	Shock Mount	1				69461	Shoe	3	84010-1	Washer-3/8	1
51173	Element	1				A-69480	Clutch	1	84035	Washer-1/2	1
						A-69500	Cap	1	86324	Pin	1

E2772TX

# HOMELITE TEXTRON

Homelite Division of Textron Inc.