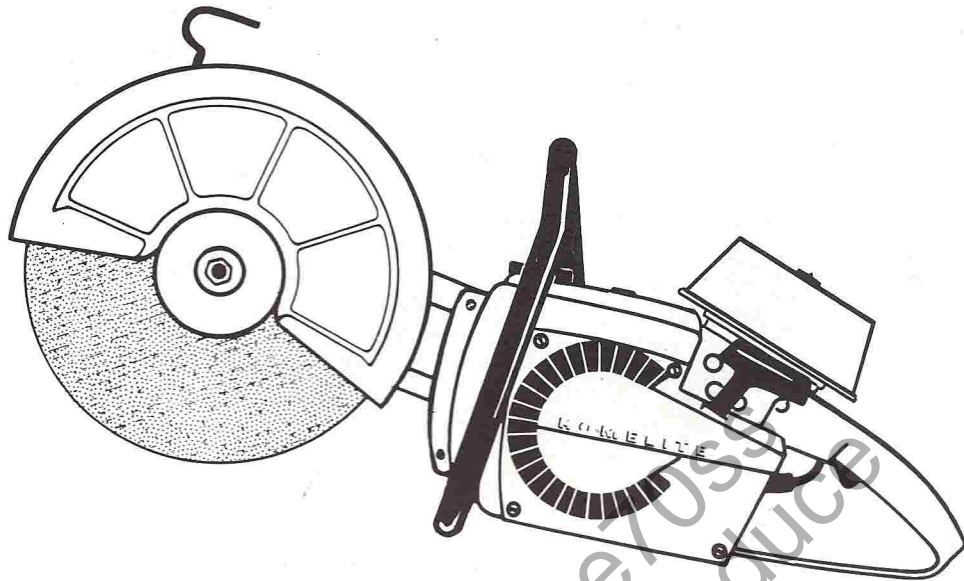


PARTS LIST



XL988A

MULTI-PURPOSE SAW

HOMELITE®

PRICE .35

PART NO. 24760

XL-98A

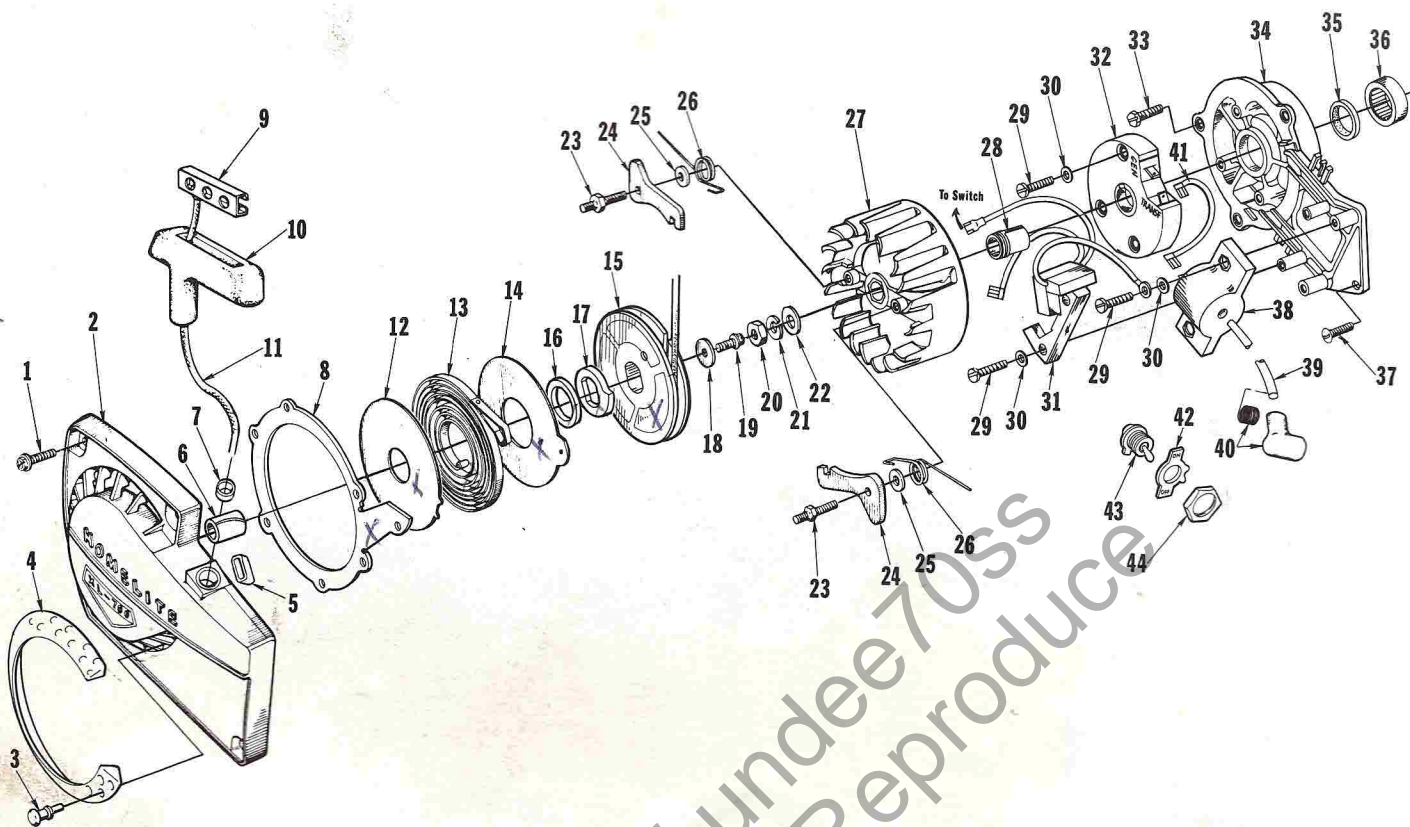


FIGURE 1

No.	Description	Part No.	Qty.	No.	Description	Part No.	Qty.
1	SCREW-hex, spinlock, 12-24 x 5/8	80676	4	23	STUD-shoulder	58757-B	2
2	STARTER HOUSING	A-64504-B	1	24	PAWL-starter	58756	2
	Includes:			25	WASHER-lock, #12	83056	2
3	STUD-drive	67191	11	26	SPRING-starter pawl	65375	2
4	SCREEN-starter housing	A-64421	1	27	ROTOR-magneto	67165	1
5	BUSHING-rewind spring	65830	1	28	CAP-dust	64002	1
6	BUSHING-starter post	64443	1	29	SCREW-pan, 8-32 x 3/4	82178	7
7	BUSHING-starter rope	67177	1	30	WASHER-lock, #8	83022	7
8	RING-air flow	67409	1	31	COIL-core and generator	67163	1
9	INSERT-rope retaining	58847	1	32	MODULE-ignition	67162	1
10	GRIP-starter rope	58915-1	1	33	SCREW-hex, 1/4-20 x 5/8	80048	3
11	ROPE-starter (48" long) #5	58806	1	*34	PLATE-back	A-67618-1	1
12	SHIELD-spring (inner)	63566	1		Includes:		
13	SPRING-rewind	63268-A	1	35	SEAL	58688-A	1
14	SHIELD-spring (outer)	63565-A	1	36	BEARING-roller	63195	1
15	PULLEY & CUP ASSEMBLY	A-64446	1	37	SCREW-rd. hd. 1/4-20 x 5/8	80251	1
	Includes:			38	COIL-transformer	67164	1
16	BUSHING-spring lock	64400	1	39	LEAD-high tension	67166	1
17	LOCK-rewind spring	64049-A	1	40	TERMINAL-spark plug	A-33055	1
18	WASHER-retaining	58763	1	41	LEAD-transformer	67167	1
19	SCREW-hex, 10-32 x 1/2	80648	1	42	PLATE-"ON-OFF"	72085-A	1
20	NUT-hex, jam, 3/8-24	81124	1	43	SWITCH	A-57650-3	1
21	WASHER-lock, 3/8	83102	1		Includes:		
22	WASHER-flat	84010-1	1	44	NUT	72084-A1	1

*Denotes new parts

XL-98A

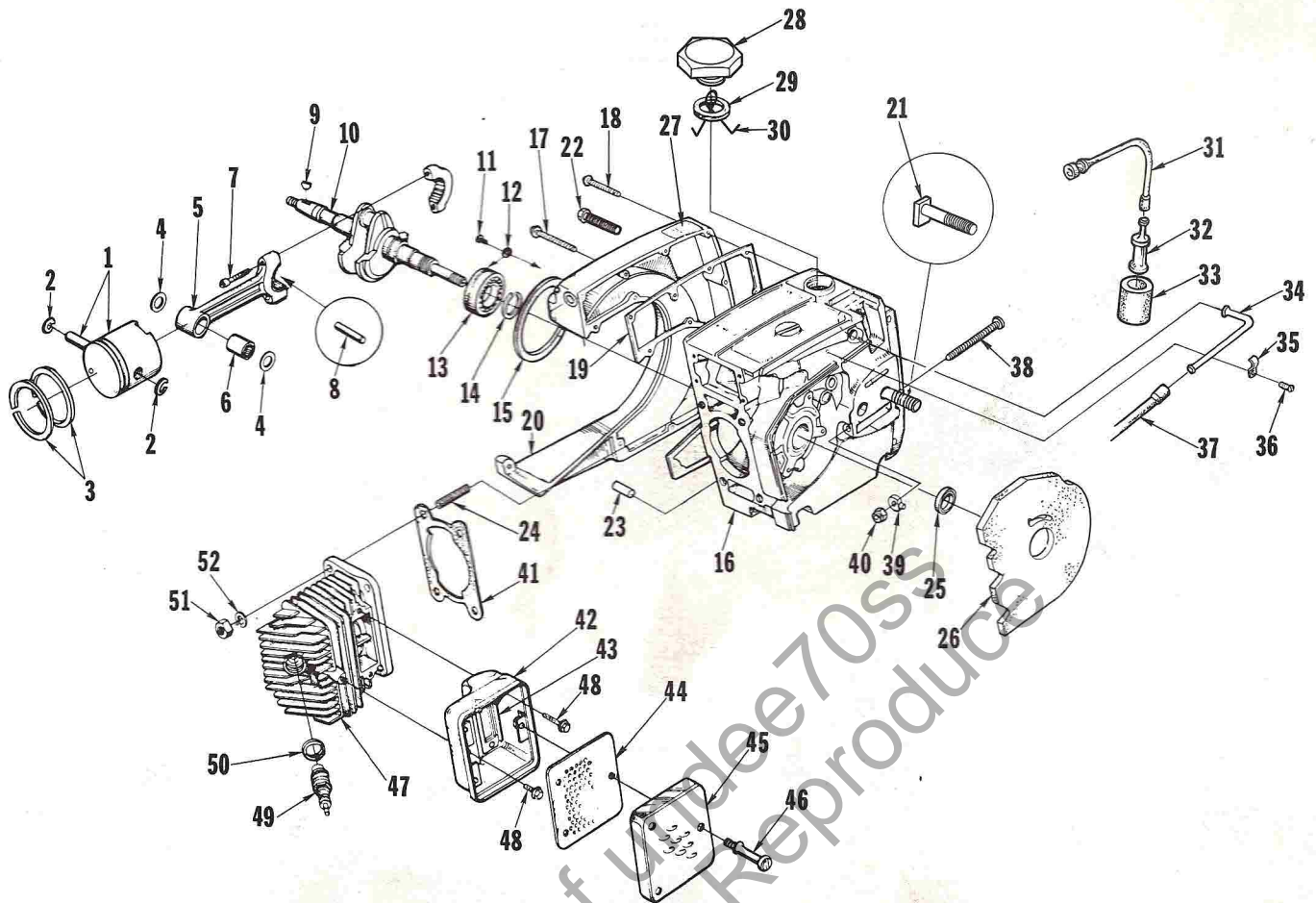


FIGURE 2

No.	Description	Part No.	Qty.	No.	Description	Part No.	Qty.
1	PISTON & PIN Includes:	A-67989-1	1	*28	CAP-fuel filler Includes:	A-69500	1
2	RING-piston pin retaining	64742	2	*29	GASKET-fuel cap	69501	1
3	PISTON RING	68249	2	*30	RETAINER	69503	1
4	WASHER-thrust	68010	2	31	LINE-fuel (flexible)	65593	1
5	ROD-connecting Includes:	A-68008-A	1	32	FILTER-fuel Includes:	A-59251	1
6	BEARING-needle	59351	1	33	FILTER-felt	59253-1	1
7	SCREW-soc. hd. 8-32 x 9/16	80805	2	34	CONNECTOR-fuel	67080	1
8	BEARING-needle (set of 23)	A-69056	1	35	CLAMP-fuel line	65597-1	1
9	KEY-woodruff	75078	1	36	SCREW-pan, 6-32 x 5/16	80605	1
10	CRANKSHAFT	67168-2	1	37	LINE-fuel	65718	1
11	SCREW-bearing retainer	59704	2	38	SCREW-adjusting	63367	1
12	WASHER-lock	59705	2	39	PIN-adjusting	67586-1A	1
13	BEARING-ball	58190-S	1	40	NUT-flexloc, 1/4-20	81108	1
14	RING-retaining	58319-A	1	41	GASKET-cylinder	63778-1	1
15	"O" RING	67559	1	42	BODY-muffler Includes:	A-68979	1
16	CRANKCASE & TANK Includes:	A-53625	1	43	PLATE-muffler body	68978	1
17	SCREW-fil. hd. 8-32 x 1-3/4	82147	1	44	BAFFLE-muffler	65633	1
18	SCREW-fil. hd. 8-32 x 5/8	82146	6	*45	CAP-muffler	A-69591-1	1
19	GASKET-fuel tank	65391	1	46	SCREW-shoulder	68480	3
20	COVER-fuel tank	67153-2	1	47	CYLINDER-2-1/16" bore Includes:	A-68980-1	1
21	BOLT-guide bar	67807	2	48	SCREW-spinlock	80677	3
22	SCREW-fil. hd. 8-32 x 2-3/16	82155	8	49	SPARK PLUG-Champion CJ-6 Includes:	63547-S	1
23	PIN-dowel	63621	2	50	GASKET	25038	1
24	STUD	55871	4	51	NUT-hex, 1/4-28	81065-2	4
25	SEAL	58688-A	1	52	WASHER-lock, 1/4	83009	4
26	SHIELD-sawdust	A-64715	1				
27	DECAL-caution	64144	1				
	*Denotes new parts				* Cap-muffler and baffle (accessory)	A-69598	

ALWAYS FURNISH MODEL AND SERIAL NUMBER WHEN ORDERING PARTS.

XL-98A

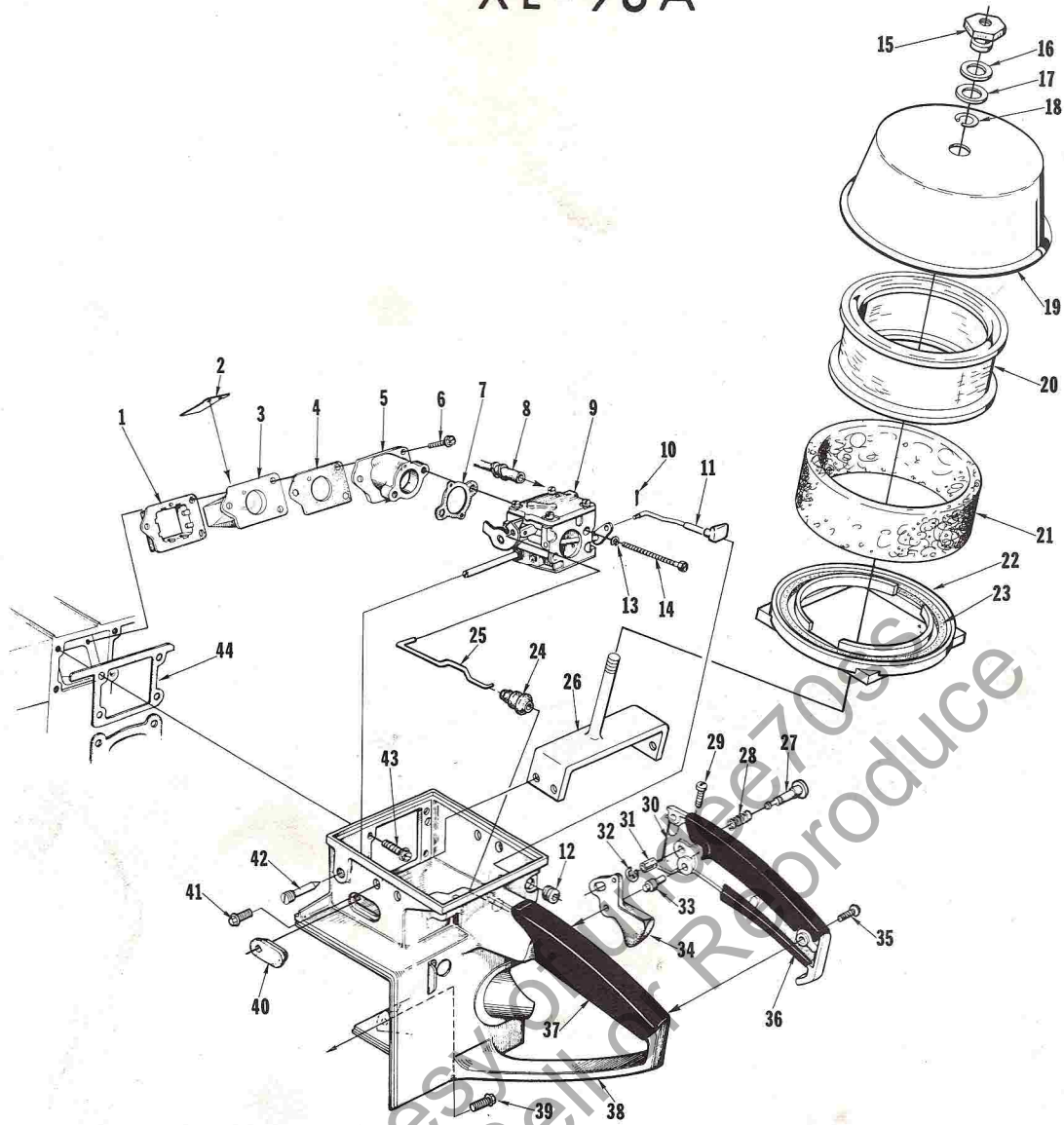


FIGURE 3

No.	Description	Part No.	Qty.	No.	Description	Part No.	Qty.
1	RETAINER-reed valve	63370-A	1	*22	RING-air filter mounting	A-50952	1
2	REED-valve	63166-A	4		Includes:		
3	SEAT-reed valve	63371-B	1	*23	GASKET-air filter	50951	1
4	GASKET-reed valve seat	65483	1	24	BOOT-throttle rod	58348	1
5	MANIFOLD-intake	A-67460-1	1	25	ROD-throttle	63266-A	1
6	SCREW-pan hd. 8-32 x 1-1/8	82196	3	*26	BRACKET-cover mounting	A-50955-1	1
7	GASKET-carburetor	67540	1	27	PIN-throttle latch	58924-4	1
8	LINE-fuel	65718	1	28	SPRING-throttle latch	58405	1
* 9	CARBURETOR	A-51153	1	29	SCREW-fil. hd. 8-32 x 5/8	80023-2	1
10	PIN-cotter	86324	1	30	COVER-throttle handle	A-69045	1
11	ROD-choke	A-68429	1		Includes:		
	Includes:			31	BUSHING-nylon	59064	1
12	GROMMET	64862	1	32	RING-retainer	58409	1
13	WASHER-lock #10	83046	2	33	PIN-trigger latch	65719	1
14	SCREW-hex hd. 10-32 x 1-7/8	82179	2	34	TRIGGER-throttle	65745	1
*15	NUT-cover mounting	A-67639-1	1	35	SCREW-pan hd. spinlock, 8-32 x 1/2	80560	2
16	WASHER-nylon	54536	1	36	GRIP-throttle handle cover	68768	1
*17	WASHER-rubber	50950	1	37	GRIP-throttle handle	68767	1
18	RING-retaining	58319-A	1	*38	HANDLE-throttle	A-51142-1	1
*19	COVER-air filter	A-50957	1	39	SCREW-hex	80891	1
	Includes:			*40	GROMMET-"LO"	51144	1
*	GASKET-air filter (not shown)	50951	1	41	SCREW-pan hd. 8-32 x 1/4	80575	4
20	ELEMENT-air filter	54620-A	1	*42	SCREW-idle adjustment	63369	1
*21	ELEMENT-air filter (foam)	51173	1	43	SCREW-hex, spinlock, 12-24 x 5/8	80676	4
	*Denotes new parts			44	GASKET-throttle handle	63779-C	1

XL-98A

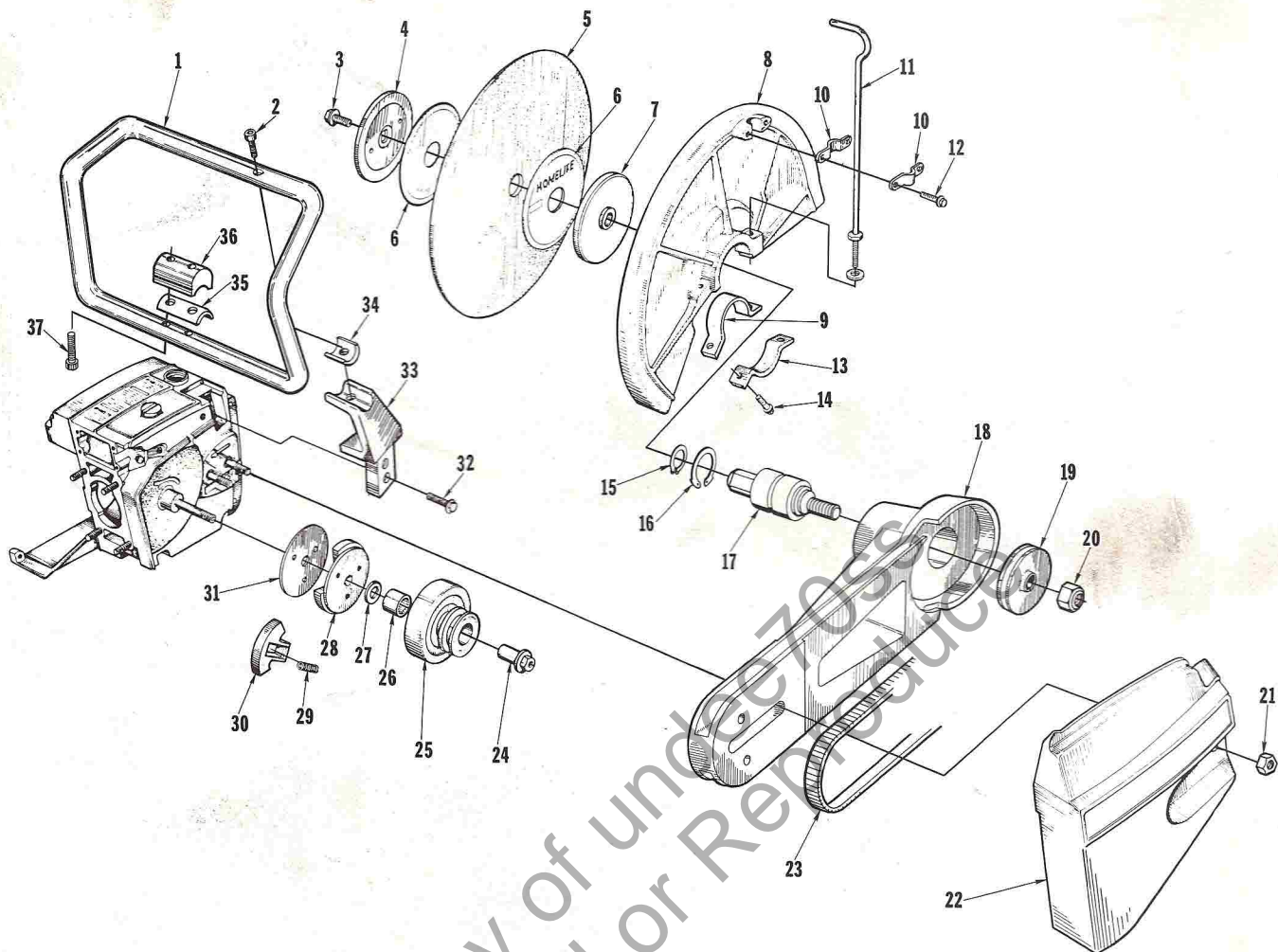


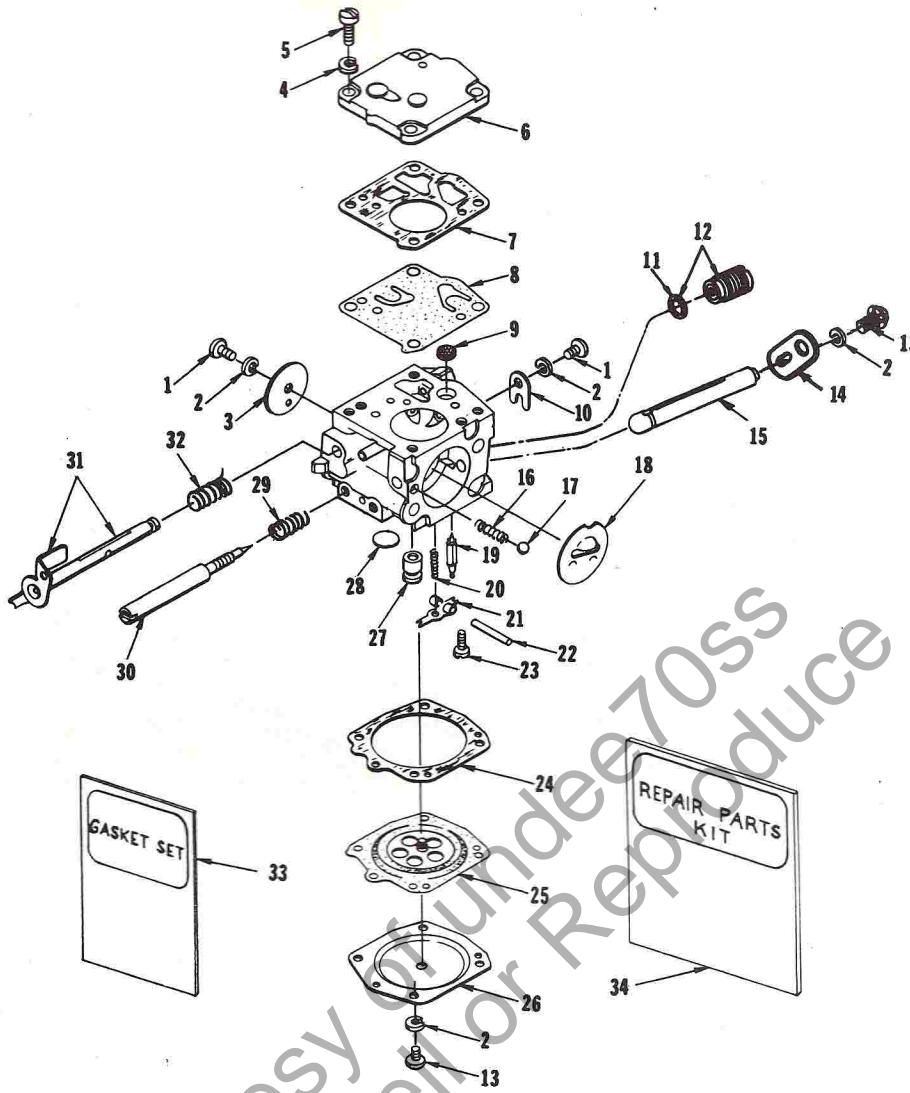
FIGURE 4

No.	Description	Part No.	Qty.	No.	Description	Part No.	Qty.
* 1	HANDLE BAR	A-53573-4	1	*16	RING-retaining	51199	1
* 2	SCREW-soc. hd. 1/4-2 x 1	80428-1	1	*17	BEARING-fan and pump shaft	51158-1	1
3	BOLT-blade	59224	1	*18	ARM-blade	51122-2	1
* 4	WASHER-outer	51160-2	1	*19	PULLEY-driven	50741	1
5	WHEEL-masonry (10 wheels in package)	64596-AS	1	*20	NUT-elastic stop, 7/16-14	81231	1
	WHEEL-metal	†64597-AS	1	21	NUT-hex, 3/8-16	81089-2	2
	WHEEL-stainless	†65898-S	1	22	COVER-drivecase	53579-2	1
	WHEEL-transite	†65930-S	1	23	BELT-drive	64498	1
	WHEEL-aluminum	†65899-S	1	*24	RACE-inner	A-51149	1
	WHEEL-copper	†65996-S	1	*25	PULLEY-bearing and drum assembly	A-51146	1
	WHEEL-ductile iron	†68421-S	1		Includes:		
	BLADE-saw	64595-S	1	*26	BEARING	51151	1
6	SPACER-blotter (included with wheel pkg.)	24174	2	27	WASHER-thrust (inner)	58833	1
* 7	WASHER-inner	51159-2	1	*	CLUTCH	A-69480	1
* 8	GUARD-blade	A-51251	1		Includes:		
	Includes:			*28	PLATE-clutch	65760-1	1
* 9	SLEEVE-blade guard	51198	1	*29	SPRING-clutch	67053	3
	KIT-hook-bolt & clamp	A-65564	1	*30	SHOE-clutch	69461	3
	Includes:			31	COVER-clutch	63051	1
10	CLAMP	64383-1	2	32	SCREW-hex, spinlock, 12-24 x 3/4	80867	2
11	BOLT-hook	A-65552-1	1	*33	BRACKET-handle bar	50725-2	1
12	SCREW-hex, spinlock, 1/4-20 x 1/2	80681-3	2	*34	SPACER-shock mount	51163	1
13	CLAMP	64651-1	1	*35	SPACER-shock mount	51162	1
14	SCREW-hex, spinlock, 1/4-20 x 13/16	80573	1	*36	SPACER-handle bar	50724-2	1
*15	RING-retaining	51155	1	*37	SCREW-soc. cap, 1/4-20 x 1-7/8	82242	2

*Denotes new parts

†optional

XL-98A



HS-135A

A-51153

No.	Description	Part No.	Qty.
1	SCREW-rd. 4-40 x 3/16	†80264	2
2	WASHER-lock #4	†83008-1	7
3	SHUTTER-throttle	67994	1
4	WASHER-lock #6	83024	4
5	SCREW-fil. 6-32 x 3/8	80275	4
6	COVER-fuel pump diaphragm	58975	1
7	GASKET-pump diaphragm	58981	1
8	DIA PHRAGM	†58980-R	1
9	SCREEN-fuel inlet	†58974	1
10	CLIP-throttle shaft retaining	58982	1
11	GASKET-governor valve	74060	1
*12	GOVERNOR VALVE	A-51347	1
13	SCREW-rd. 4-40 x 1/4	80591	5
14	LEVER-choke	68397	1
15	SHAFT-choke	65799	1
16	SPRING-choke friction	73264	1
17	BALL-choke friction	25527	2
18	SHUTTER-choke	58984	1

No.	Description	Part No.	Qty.
19	NEEDLE-inlet	59717	1
20	SPRING-control lever	†55759	1
21	LEVER-inlet control	†59716	1
22	PIN-control lever fulcrum	†58977	1
23	SCREW-oval 4-40 x 1/4	†65798	1
24	GASKET-main diaphragm	58978	1
25	DIA PHRAGM-main control	†58988	1
26	COVER-main diaphragm	58979	1
*27	VALVE-check	A-51348	1
28	PLUG-extension (large)	†58991	1
29	SPRING-adjustment needle	†73075	1
30	SCREW-idle adjustment	63677	1
31	SHAFT-throttle w/lever	A-67995	1
32	SPRING-throttle shaft return	†59460	1
33	GASKET SET	†67866	1
34	REPAIR KIT	67870	1
	DIA PHRAGM & GASKET SET	63711	1

* Denotes new parts

† Included in Repair Kit

XL-98A

ACCESSORIES

		Qty.
CARRYING CASE & KIT	A-53611	1
Includes:		
CARRYING CASE	A-53610	1
KIT-operators	A-24110-1	1
Includes:		
FUEL CAN-safety	64599	1
GOGGLES-safety	64598	1
OIL-engine (1/2 pt. can) 6 pack	24399	6
ELEMENT-air filter	54620-A	1
BELT-drive	64498	1
WHEEL-masonry	64596-AS	1
WHEEL-metal	64597-AS	1
BLADE-saw	64595-S	1
KIT-starter rope (w/grip & insert)	A-24266	1
REEL-starter rope (250 ft.) #5	57084-1	1
KIT-wet cutting	A-50561	1
Includes:		
FITTING-water outlet	50553-2	1
CONNECTOR-water line	50554	1
FITTING-tube	50558	6
LINE-water	50556	1
COUPLING-water line	50555	1
<u>PAINT</u> SPRAY CAN-red	23475	

TOOLS

ANVIL-bearing installation	23968
ANVIL-crankshaft installation	23846-1
ANVIL-bearing disassembling (back plate)	23846-2
COLLAR-bearing installation	22820-3
JACKSCREW ASSEMBLY	A-24570
Includes: WASHER-flat, 1/2	84035
JACKSCREW-bearing remover (back plate)	A-23962
PLATE-crankshaft aligning	24006-1
PLIERS-retaining ring (piston pin)	22828
PLUG-bearing installation	23420
PLUG-bearing installation	24113
PLUG-bearing and seal installation (back plate)	23956
PLUG-bearing installation (connecting rod)	23955
PLUG-piston pin removal	A-23951
Includes: "O" RING	67900
PLUG-seal installation (crankcase)	23957
PLUG-seal installation	24302
PULLER-magneto rotor	A-23960
SHIM-plastic (black)	24306
SLEEVE-bearing removal	24114
SLEEVE-bearing & shaft installation	23136-2
SLEEVE-seal installation (crankcase only)	23972
SLEEVE-seal protecting (crankcase)	23759
SPANNER WRENCH ASSEMBLY	A-23934
Includes: PIN-clutch spanner	23954
WRENCH-blade removal	A-24085
WRENCH-combination	A-23937-B
WRENCH-socket screw (connecting rod)	23528

Part No.	Description	Qty.	Part No.	Description	Qty.	Part No.	Description	Qty.	Part No.	Description	Qty.
22820-3	Collar	1	*A-51347	Governor Valve	1	63779-C	Gasket	1	68249	Piston Ring	2
22828	Pliers	1	*A-51348	Valve	1	64002	Cap	1	68397	Lever	1
23136-2	Sleeve	1	A-53264	Crankcase & Tank	1	64049-A	Lock	1	68421-S	Wheel	1
23420	Plug	1	A-53573-2	Handle Bar	1	64144	Decal	1	A-68429	Rod	1
23475	Spray Can	1	*A-53573-4	Handle Bar	1	64383-1	Clamp	2	68480	Screw	3
23528	Wrench	1	53579-2	Cover	1	64400	Bushing	1	68767	Grip	1
23759	Sleeve	1	A-53610	Case	1	A-64421	Screen	1	68768	Grip	1
23846-1	Anvil	1	A-53611	Carrying Case & Kit	1	64443	Bushing	1	68978	Plate	1
23846-2	Anvil	1	A-53625	Crankcase & Tank	1	A-64446	Pulley	1	A-68979	Body	1
A-23934	Spanner Wrench	1	54536	Washer	1	64498	Belt	1	A-68980-1	Cylinder	1
A-23937-B	Wrench	1	54620-A	Element	1	A-64504-B	Housing	1	A-69045	Cover	1
A-23951	Plug	1	55759	Spring	1	64595-S	Blade	1	A-69056	Bearing	1
23954	Pin	3	55871	Stud	4	64596-AS	Wheel	1			
23955	Plug	1	57084-1	Reel	1	64597-AS	Wheel	1	*69461	Shoe	3
23956	Plug	1	A-57650-3	Switch	1	64598	Goggles	1	*A-69480	Clutch	1
23957	Plug	1	58190-S	Bearing	1	64599	Fuel Can	1	*A-69500	Cap	1
A-23960	Puller	1	58319-A	Ring	2	64651-1	Clamp	1	*69501	Gasket	1
A-23962	Jackscrew	1	58348	Boot	1	A-64715	Shield	1	*69503	Retainer	1
23968	Anvil	1	58405	Spring	1	64742	Ring	2	*A-69591-1	CAP	1
23972	Sleeve	1	58409	Ring	1	64862	Grommet	1	*A-69598	CAP	1
24006-1	Plate	1	58688-A	Seal	1	65375	Spring	2	72084-A1	Nut	1
A-24085	Wrench	1	58756	Pawl	2	65391	Gasket	1	72085-A	Plate	1
A-24110-1	Kit-operators	1	58757-B	Stud	2	65483	Gasket	1	73075	Spring	1
24113	Plug	1	58763	Washer	1	A-65552-1	Bolt	1	73264	Spring	1
24114	Sleeve	1	58806	Rope	1	A-65564	Kit-hook & bolt	1	74060	Gasket	1
24174	Spacer	2	58833	Washer	1	65593	Line	1	75078	Key	1
A-24266	Kit-starter rope	1	58847	Insert	1	65597-1	Clamp	1	FASTENING PARTS		
24302	Plug	1	58915-1	Grip	1	65633	Baffle	1	80023-2	8-32 x 5/8	1
24306	Shim	1	58924-4	Pin	1	65718	Line	1	80048	1/4-20 x 5/8	3
24399	Oil	6	58974	Screen	1	65719	Pm	1	80251	1/4-20 x 5/8	1
A-24570	Jackscrew	1	58975	Cover	1	65745	Trigger	1	80264	4-40 x 3/16	2
25038	Gasket	1	58977	Pin	1	*65760-1	Plate	1	80275	6-32 x 3/8	4
25527	Ball	2	58978	Gasket	1	65798	Screw	1	*80428-1	1/4-2 x 1	1
A-33055	Terminal	1	58979	Cover	1	65799	Shaft	1	80560	8-32 x 1/2	2
50553-2	Fitting	1	58980-R	Diaphragm	1	65830	Bushing	1	80573	1/4-20 x 13/16	1
50554	Connector	1	58981	Gasket	1	65893-S	Wheel	1	80575	8-32 x 1/4	4
50555	Coupling	1	58982	Clip	1	65899-S	Wheel	1	80591	4-40 x 1/4	5
50556	Line	1	58984	Shutter	1	65930-S	Wheel	1	80605	6-32 x 5/16	1
50558	Fitting	6	58988	Diaphragm	1	65996-S	Wheel	1	80648	10-32 x 1/2	1
A-50561	Kit-wet cutting	1	58991	Plug	1	*67053	Spring	3	80676	12-24 x 5/8	8
*50724-2	Spacer	1	59064	Bushing	1	67080	Connector	1	80677	Screw-spinlock	3
*50725-2	Bracket	1	59224	Bolt	1	67153-2	Cover	1	80681-3	1/4-20 x 1/2	2
*50741	Pulley	1	A-59251	Filter	1	67162	Module	1	80805	8-32 x 9/16	2
*50950	Washer	1	59253-1	Filter	1	67163	Coil	1	80867	12-24 x 3/4	2
*50951	Gasket	2	59351	Bearing	1	67164	Coil	1	80891	12-24 x 7/8	1
*A-50952	Ring	1	59460	Spring	1	67165	Rotor	1	81065-2	Nut-1/4-28	4
*A-50955-1	Bracket	1	59704	Screw	2	67166	Lead	1	81089-2	Nut-3/8-16	2
*A-50957	Cover	1	59705	Washer	2	67167	Lead	1	81091-2	Nut-3/8-16	2
*51122-2	Arm	1	59716	Lever	1	67168-2	Crankshaft	1	81108	Nut-1/4-20	1
*A-51142-1	Handle	1	59717	Needle	1	67177	Bushing	1	81124	Nut-3/8-24	1
*51144	Grommet	1	63051	Cover	1	67191	Stud	11	*81231	Nut-7/16-14	1
*A-51146	Pulley	1	63166-A	Valve	4	67409	Ring	1	82146	8-32 x 5/8	6
*A-51149	Race	1	63195	Bearing	1	A-67460-1	Manifold	1	82147	8-32 x 1-3/4	1
*51151	Bearing	1	63266-A	Rod	1	67540	Gasket	1	82155	8-32 x 2-3/16	8
*A-51153	Carburetor	1	63268-A	Spring	1	67559	"O" Ring	1	82178	8-32 x 3/4	7
*51155	Screw	1	63367	Screw	1	67586-1A	Pin	1	82179	10-32 x 1-7/8	2
*51158-1	Bearing	1	*63369	Screw	1	*A-67618-1	Plate	1	82196	8-32 x 1-1/8	3
*51159-2	Washer	1	63370-A	Retainer	1	*A-67639-1	Nut	1	*82242	1/4-20 x 1-7/8	2
*51160-2	Washer	1	63371-B	Seat	1	67807	Bolt	2	83008-1	Washer-# 4	7
*51162	Spacer	1	63547-S	Spark Plug	1	67866	Gasket	1	83009	Washer-1/4	4
*51163	Shock Mount	1	63565-A	Shield	1	67870	Kit-repair	1	83022	Washer-# 8	7
*51173	Element	1	63566	Shield	1	67900	"O" Ring	1	83024	Washer-# 6	4
*51198	Sleeve	1	63621	Pin	2	A-67989-1	Piston & Pin	1	83046	Washer-# 10	2
*51199	Ring	1	63677	Screw	1	67994	Shutter	1	83056	Washer-# 12	2
*A-51251	Guard	1	63711	Diaphragm & Gasket	1	A-67995	Shaft	1	83102	Washer-3/8	1
			63778-1	Gasket	1	A-68008-A	Rod	1	84010-1	Washer-3/8	1
						68010	Washer	2	84035	Washer-1/2	1
									86324	Pin	1

* Denotes new parts



A Textron DIVISION, PORT CHESTER, N.Y. 10573

PRINTED IN U.S.A.

E1 2712LZ