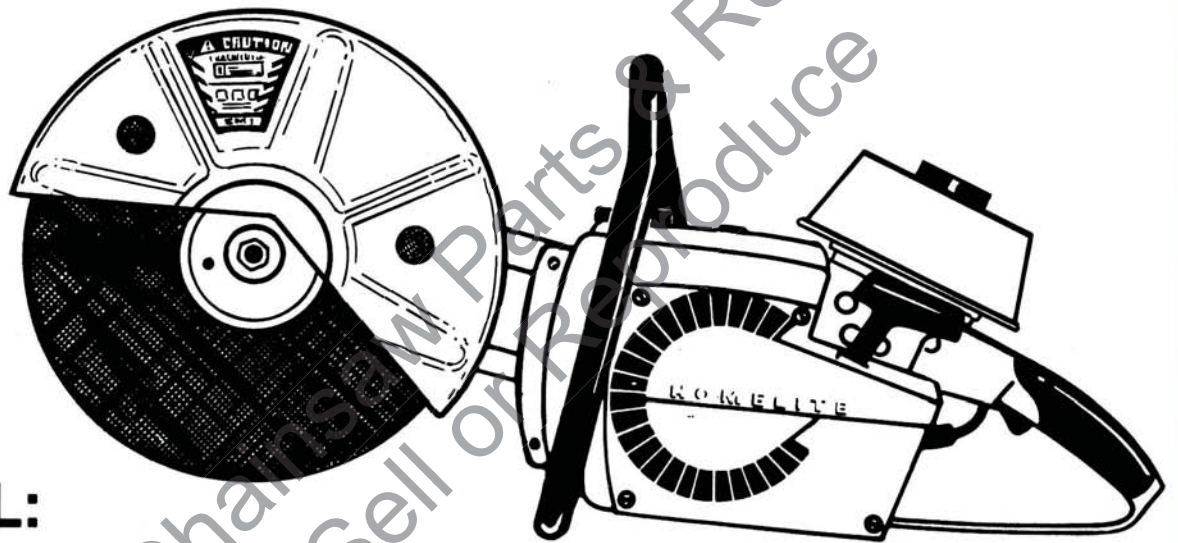


PART NO. 17927

Printed in U.S.A.

Price 35¢

PARTS LIST



MODEL:

XL-98C

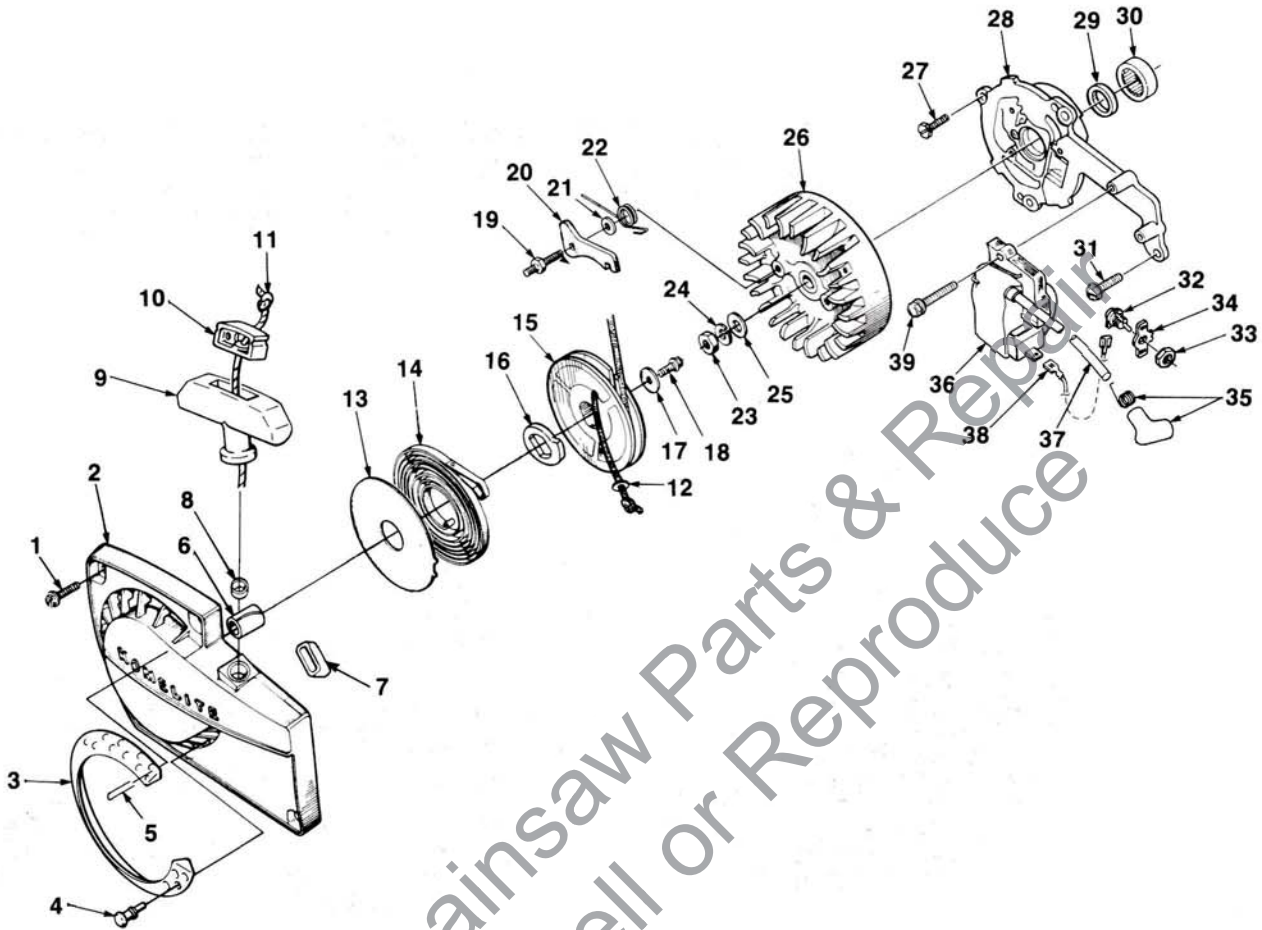
MULTI-PURPOSE SAW

HOMELITE **TEXTRON**

Homelite Division of Textron Inc.

XL98-C

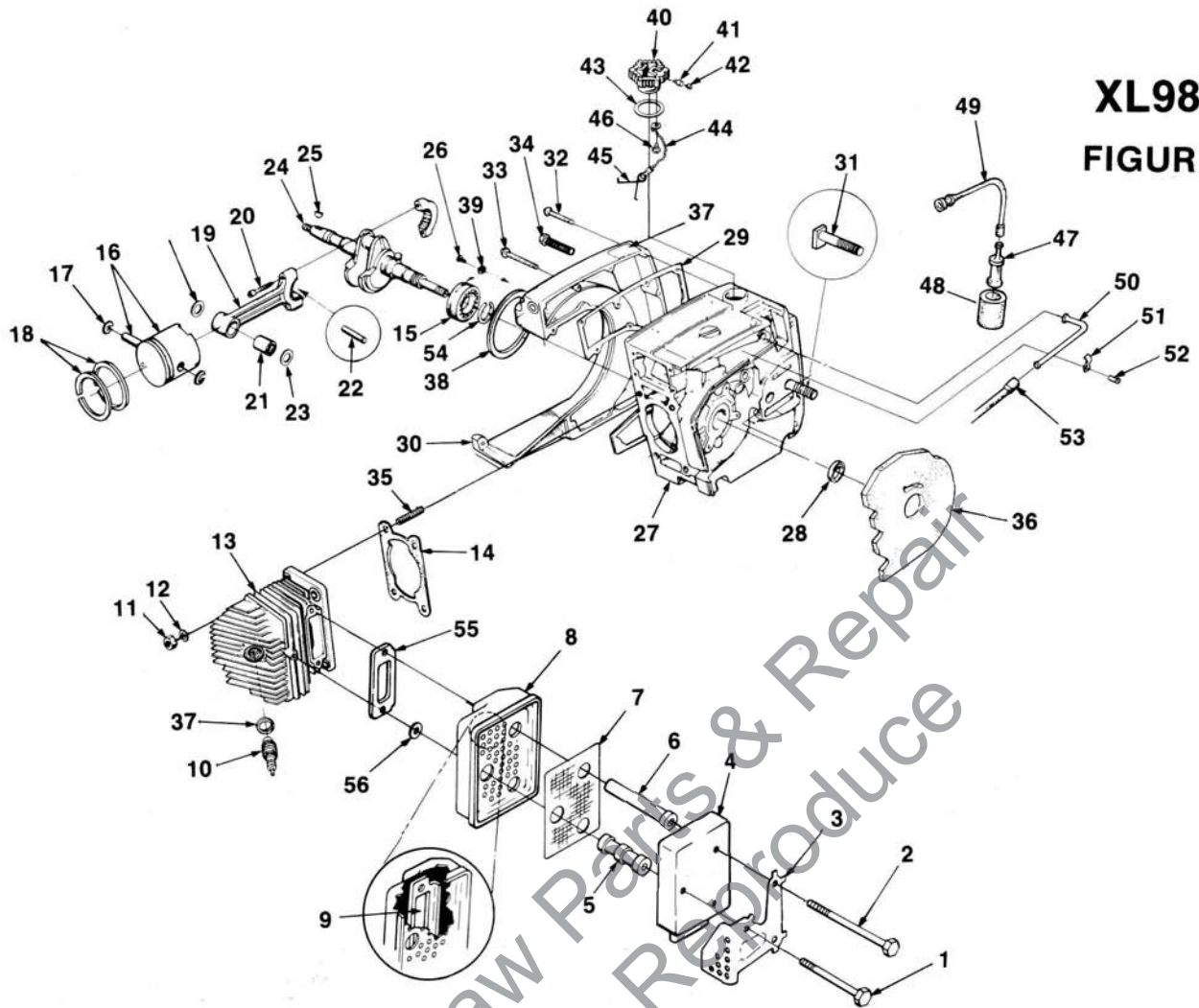
FIGURE 1



NO.	DESCRIPTION	PART NO.	QTY.	NO.	DESCRIPTION	PART NO.	QTY.
1	SCREW- Hex hd. 12-24 x 5/8	80676	4	20	STARTER PAWL	58756	2
2	HOUSING- Starter	A-64504-C	1	21	WASHER- Lock	70901	2
	Includes:			22	SPRING	65375-2	2
3	KIT- Fan housing screen	A-64421	1	23	NUT- Hex 3/8-24	81124-A	1
	Includes:			24	WASHER- Lock 3/8	83102	1
4	STUD- Drive	67191	4	25	WASHER- Flat 3/8	84010	1
5	FASTENER	64419	6	26	ROTOR- Magneto	96801	1
6	BUSHING	64443	1	27	SCREW- Hex 1/4-20 x 5/8	80048	3
7	BUSHING	65830	1	28	PLATE- Back	A-96799-A	1
8	BUSHING	67177	1		Includes:		
9	GRIP- Starter	A-69962-B	1	29	SEAL	12282-A	1
	Includes:			30	BEARING	63195	1
10	INSERT	70018-A	1	31	SCREW- Sems hex hd. 1/4-20 x 3/4	80218-1	1
11	ROPE- Starter (48", #5)	A-93875	1	32	SWITCH	A-57650-3A	1
	Includes:				Includes:		
12	WASHER	93862	1	33	NUT	72084-A1	1
13	SHIELD	63566	1	34	PLATE- Indicating	12793-A	1
14	SPRING	63268-A	1	35	TERMINAL- Spark plug	A-33055	1
15	PULLEY & CUP	A-64446	1	36	MODULE- Ignition	A-96798-A	1
	Includes:				Includes:		
16	LOCK- Spring	94827	1	37	LEAD- High tension	96743	1
17	WASHER	58763	1	38	LEAD- Ground	A-94850	1
18	SCREW- Hex hd. 10-32 x 1/2	80648	1	39	SCREW- Sems hex hd. 8-32 x 1	88044	2
19	STUD- Starter pawl	58757-E	2				

XL98-C

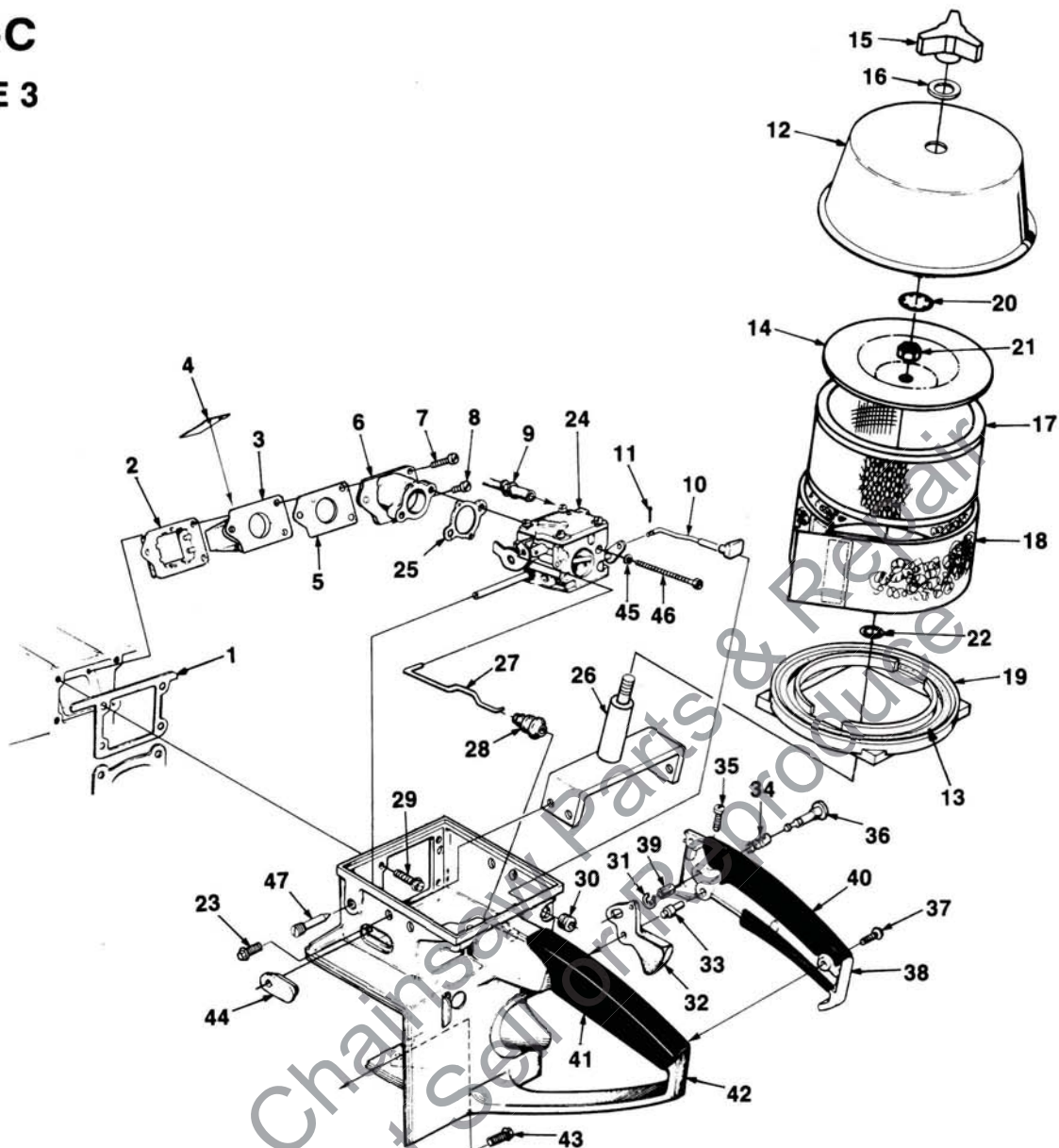
FIGURE 2



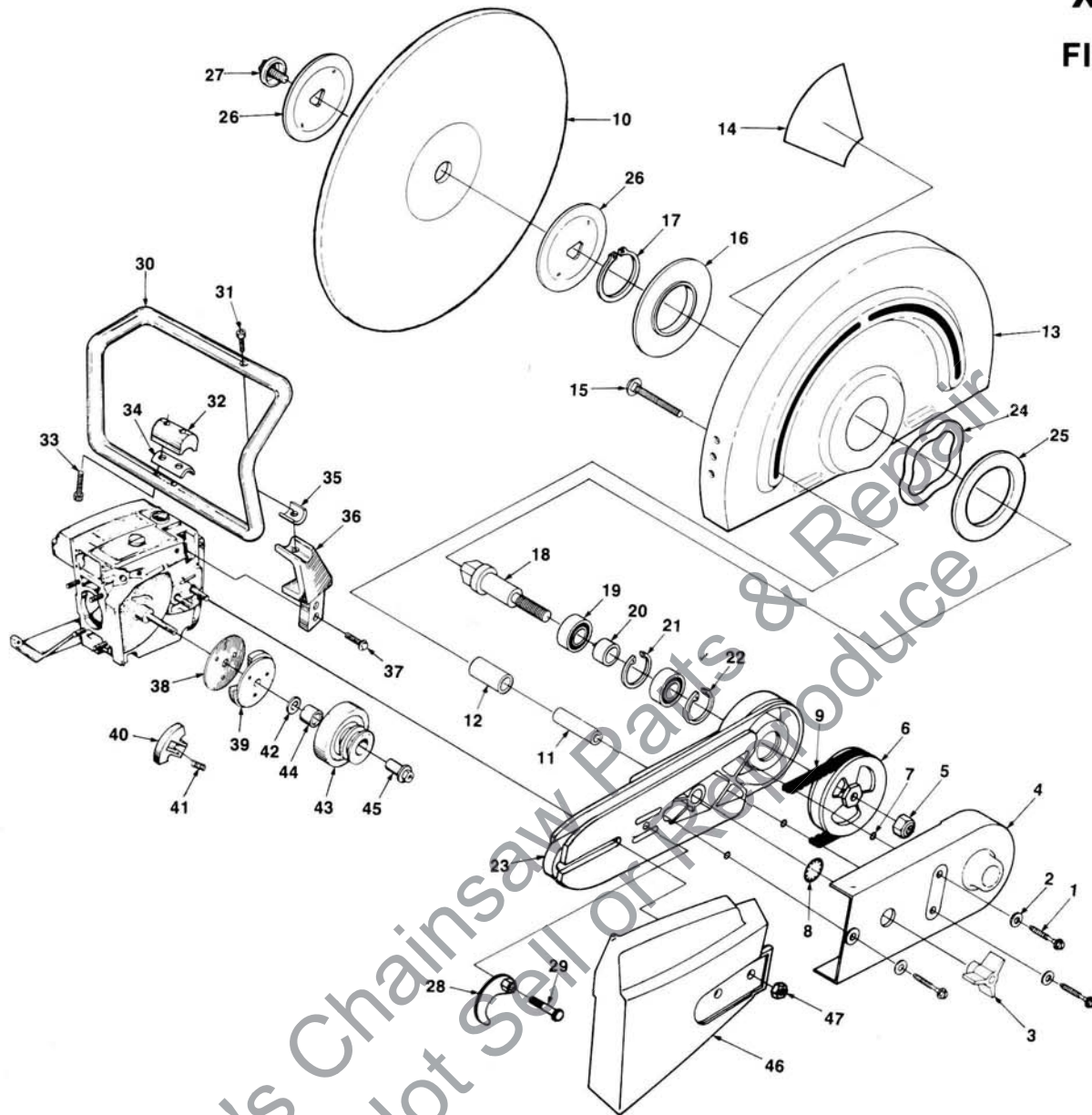
NO.	DESCRIPTION	PART NO.	QTY.	NO.	DESCRIPTION	PART NO.	QTY.
	MUFFLER KIT (Complete)	A-69864-C	1	27	CRANKCASE	A-49557	1
	Includes:				Includes:		
1	SCREW	95885	1	28	SEAL	12282-A	1
2	SCREW- Hex hd. 1/4-20 x 3	82280	2	29	GASKET- Oil cover	65391	1
3	SHIELD- Muffler	69842	1	30	COVER- Fuel tank	67153-2	1
4	CAP- Muffler	A-69836-1	1	31	BOLT	67807	2
5	SUPPORT- Short	69844	1	32	SCREW- Fil hd. 8-32 x 5/8	82358	6
6	SUPPORT- Long	69843	1	33	SCREW- Fil hd. 8-32 x 1 3/4	82405	1
7	SCREEN- Spark arrestor	A-93900-A	1	34	SCREW- Fil hd. 8-32 x 2 3/16	95725	8
8	BODY- Muffler	A-69838-1	1	35	STUD- Cylinder	55871	4
9	PLATE- Muffler	69839	1	36	SHIELD- Sawdust	A-64715	1
10	SPARK PLUG	93561-S	1	37	LABEL- Warning	69847	1
	SPARK PLUG (Opt.) (Colder plug)	69027-S	1	38	"O" RING	67559	1
11	NUT 1/4-28	96212	4	39	WASHER- Lock	59705	2
12	WASHER- Lock 1/4	83009	4	40	CAP- Fuel	A-69500-A	1
13	CYLINDER	A-48807-A	1		Includes:		
	Includes:			41	VALVE- Check	69451	1
14	GASKET- Cylinder	63778-1	1	42	FILTER	69454	1
15	BEARING	58190	1	43	GASKET- Fuel cap	69501	1
16	PISTON & PIN ASSEMBLY	A-49314	1	44	CHAIN	69502	1
	Includes:			45	RETAINER- Cap	96535	1
17	PISTON PIN RETAINING RING	64742	2	46	SCREW	82256-A	1
18	PISTON RING	55537	1	47	FILTER- Fuel	A-97700	1
19	ROD- Connecting	A-69658-A	1		Includes:		
	Includes:			48	FILTER ELEMENT	59253-1A	1
20	SCREW	69919	2	49	FUEL LINE	65593-A	1
21	BEARING	69638	1	50	CONNECTOR	67080	1
22	BEARING- Needle (set of 28)	A-69056	1	51	CLAMP	65597-1	1
23	WASHER	68010	2	52	SCREW- Pan hd 6-32 x 5/16	80605	1
24	CRANKSHAFT	67168-4	1	53	FUEL LINE	65718-B	1
25	KEY	75078	1	54	RING- Retaining	58319-A	1
26	SCREW- Torx 10-32	70306	2	55	GASKET- Muffler	78098	1
				56	WASHER	84020	1

XL98-C

FIGURE 3



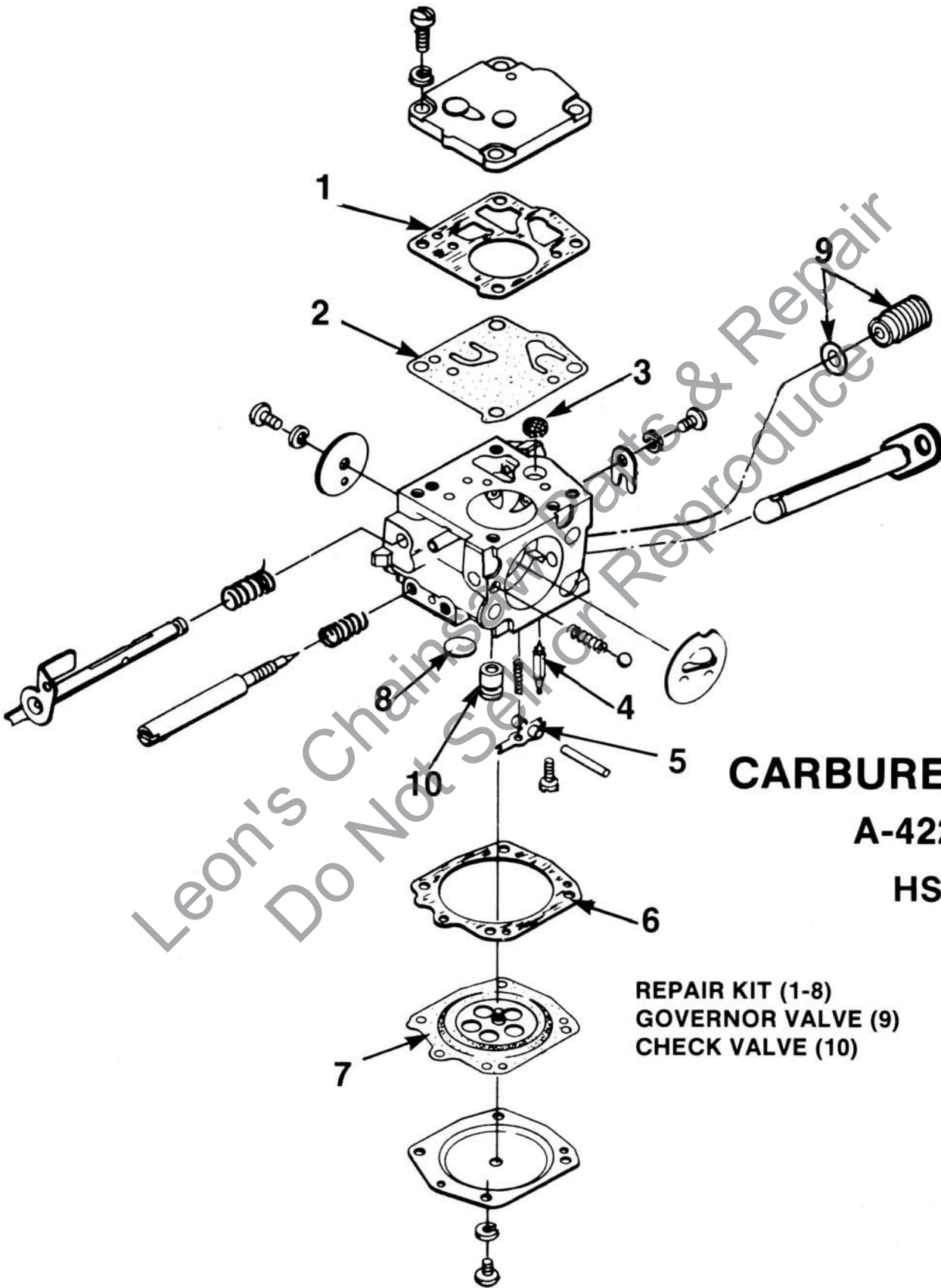
NO.	DESCRIPTION	PART NO.	QTY.	NO.	DESCRIPTION	PART NO.	QTY.
1	GASKET	63779-C	1	23	SCREW	80575	4
2	RETAINER- Reed	63370-A	1	24	CARBURETOR	A-42208-A	1
3	SEAT- Reed valve	63371-B	1		Includes:		
4	REED- Valve	63166-A	4	25	GASKET	67540	1
5	GASKET	65483	1	26	BRACKET- Cover	A-49215	1
6	SPACER- Carburetor	A-67460-1	1	27	ROD- Throttle	63266-A	1
7	SCREW- Pan hd. 8-32 x 1 1/4	82174	2	28	BOOT- Throttle rod	58348	1
8	SCREW- Pan hd. 8-32 x 1	82173	1	29	SCREW- Hex hd. 12-24 x 5/8	80676	4
9	FUEL LINE	65718-B	1	30	GROMMET	64862	1
10	CHOKE ROD	67201-1	1	31	RING	58409	1
11	COTTER PIN	86324	1	32	TRIGGER	65745	1
	AIR FILTER KIT	A-49556	1	33	PIN	65719	1
	Includes:			34	SPRING	58405	1
12	AIR FILTER COVER	A-49142	1	35	SCREW- 8-32 x 5/8	80023-2	1
	Includes:			36	PIN- Throttle	95671	1
13	GASKET	50951	1	37	SCREW- Pan hd. 8-32 x 1/2	80560	2
14	COVER- Filter Element	49212	1	38	COVER- Throttle handle	A-69045	1
15	KNOB	46076	1		Includes:		
16	WASHER	98698	1	39	BUSHING	59064	1
17	FILTER ELEMENT- Air	54620-B	1	40	GRIP- Throttle handle	68768	1
18	PRE FILTER- Felt	49213	1	41	GRIP- Throttle handle	68767	1
19	RING & GASKET ASSEMBLY	A-50952-A	1	42	HANDLE- Throttle	A-47515	1
	Includes:			43	SCREW- Hex hd. 12-24 x 7/8	80891	1
	GASKET (#13)	50951	1	44	GROMMET	51144	1
20	RING- Retaining	46072	1	45	WASHER- Lock	83046	2
21	NUT	81162	1	46	SCREW- 10-32 x 1 7/8	82179	2
22	WASHER- Seal	49435	1	47	SCREW	63369	1



NO.	DESCRIPTION	PART NO.	QTY.	NO.	DESCRIPTION	PART NO.	QTY.
1	SCREW	94143	3	26	FLANGE-Wheel	43996-1A	1
2	WASHER-Flat	84026	3	27	KIT-Screw, Washer & Retaining	A-48783-A	1
3	KNOB	46076	1	28	CAM & ADJUSTER	A-49194	1
4	COVER-Arm	43966-A	1	29	SCREW-Hex hd.	80087	1
5	NUT-Lock hex	81245	1	30	HANDLE BAR	A-53573-4A	1
6	PULLEY-Driven	43998-1A	1	31	SCREW- Nylock 1/4-20 x 1	80428-1	1
7	"O" RING	46462	3	32	SPACER	50724-2	1
8	RING-Retaining	46072	1	33	SCREW- Nylock 1/4-20 x 1 7/8	82242	2
9	BELT- "V" Drive	46068	1	34	MOUNT-Shock	51162	1
10	WHEEL-Resinoid	64596-BS	1	35	MOUNT-Shock	51163	1
11	SPACER-Guard adjusting	46456-A	1	36	BRACKET-Handle Bar	69829-2	1
12	TUBING- Rubber	46455	1	37	SCREW-Hex hd. 12-24 x 3/4	80867	2
13	GUARD-Wheel	A-43462-1A	1	38	COVER-Clutch	93628	1
14	LABEL-Caution	48922	1	39	PLATE-Clutch back	65760-1B	1
15	BOLT-Step	82371	1	40	SHOE-Clutch	69461	3
16	WASHER-Mounting	46000	1	41	SPRING-Clutch	67053	3
17	RING	46065	1	42	WASHER	58833	1
18	SHAFT-Wheel	46079-A	1	43	PULLEY- Bearing & Arm	A-49224	1
19	BEARING-Ball	63107-S	2		Includes:		
20	SPACER-Bearing	46067	1	44	BEARING	51151	1
21	RING-Retaining	47207	1	45	RACE-Inner bearing	A-97901	1
22	RING-Retaining	31746	1	46	COVER-Drivecase	53579-5	1
23	ARM-Wheel	A-49558	1	47	NUT- 3/8-16	81089-2	2
	Includes:						
24	SPRING-Wave	47388	1				
25	SHIM	47387	1				

XL98-C

FIGURE 5



CARBURETOR

A-42208-A

HS-135A

REPAIR KIT (1-8)

95698

GOVERNOR VALVE (9)

A-42209

CHECK VALVE (10)

A-51348

ACCESSORIES & TOOLS

JACK SCREW	A-24570	WRENCH- Hex (2)	23528
BIT- Driver torx (.250 shank)	24982-01	SLEEVE- Protecting	23759
BIT- Driver torx (.312 shank)	24982-02	ANVIL	23846-1
KIT- Wet cutting	A-50561	SPANNER- Wrench	A-23934
ROPE- Starting (250 ft.) #5	57084-1	PLUG- Bearing installation	23955
SPARK ARRESTOR		PLUG- Bearing & Seal	
(Do not use with A-69864-C)	A-63540-D	installation	23956
KIT- Emergency	A-47306	PLUG- Seal installation	23957
Includes:		JACK SCREW- Bearing removal	A-23962
OPERATOR'S KIT	A-24110-1C	ANVIL- Bearing installation	23968
GOGGLES- Safety	64598	SLEEVE- Seal installation	23972
CAN- Fuel safety	64599-A	PULLER- Magneto	A-24290
SEALANT	24823	SHIM- Plastic	24306
WRENCH- Socket	68651	WHEEL-Metal	64597-BS
WRENCH- Blade removal	A-24085-A	WHEEL-Resinoid	68421-AS
SCREW DRIVER	24541	WHEEL-Diamond	A-49231-A
CARRY CASE W/Insert	A-47390-B		
SLEEVE- Bearing & Shaft			
installation	23136-2A		

HEADQUARTERS
HOMELITE DIVISION OF TEXTRON INC.
P.O. BOX 7047
14401 CAROWINDS BOULEVARD
CHARLOTTE, N.C. 28217

OVERSEAS OFFICES

HOMELITE DIVISION OF TEXTRON INC.
Koreenaarstraat 1
2153 BM Nieuw Vennepe
The Netherlands

HOMELITE DIVISION OF TEXTRON INC.
Pacific Limited
P.O. BOX 209
Blackburn, 3130
Victoria, Australia

CANADIAN OFFICES

HOMELITE DIVISION OF TEXTRON INC.
180 Labrosse Avenue
Pointe-Claire, Quebec
H9R 1A2

3260 Viking Way
Richmond, British Columbia
V6V 1N6

16520, 111th Avenue
Edmonton, Alberta
T5M 3V8

37 Densley Avenue
Toronto, Ontario
M6M 2P5

45 Brandon Street
Moncton, New Brunswick
E1C 7E7

HOMELITE **TEXTRON**

Homelite Division of Textron Inc.

0782PY