

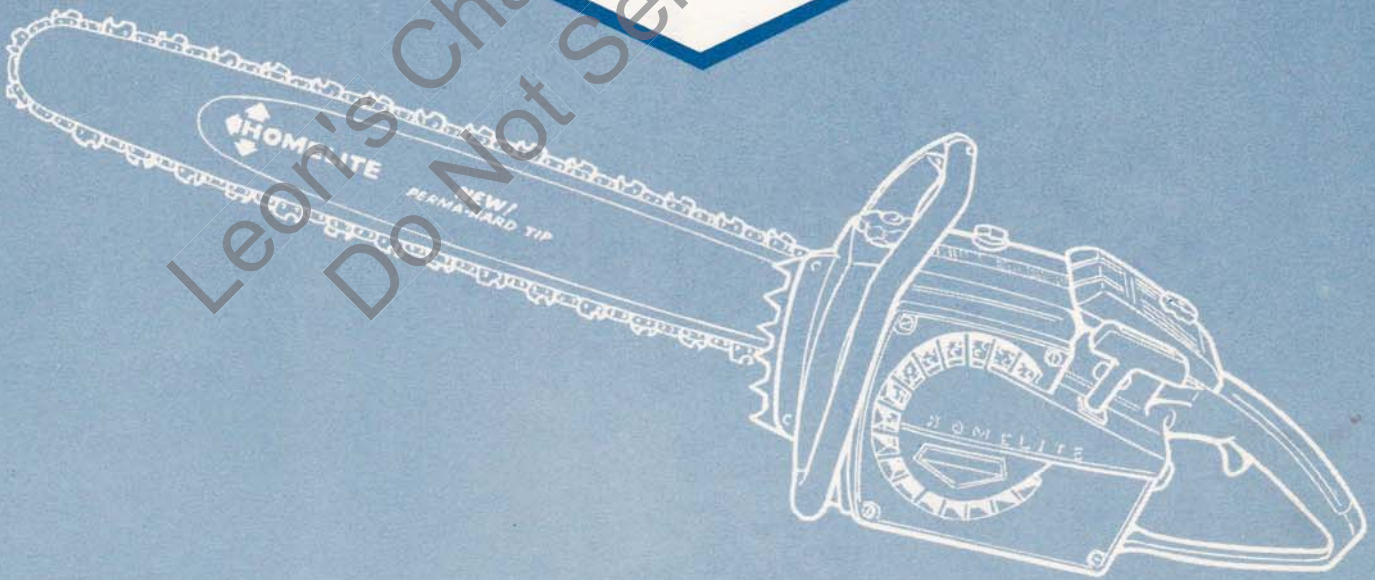
PRICE .25

1966

# HOMELITE

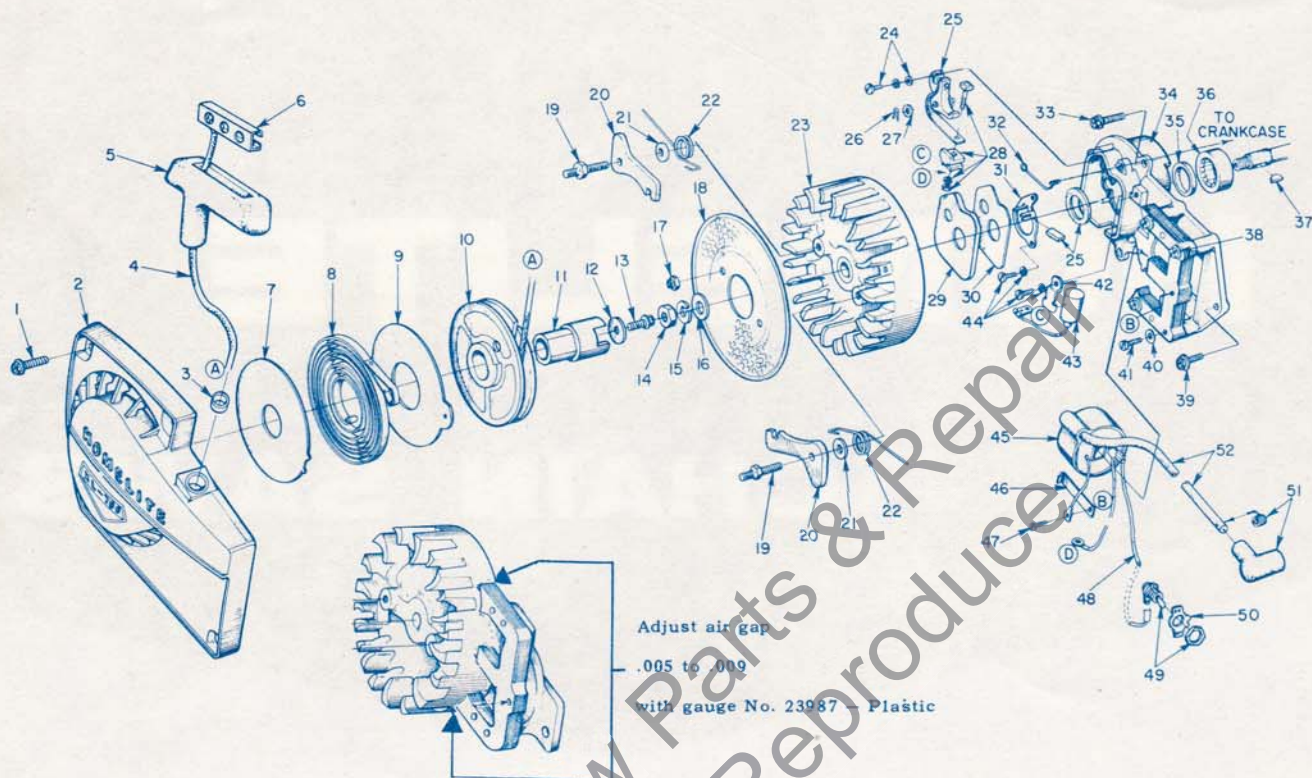
## CHAIN SAWS

XL-700

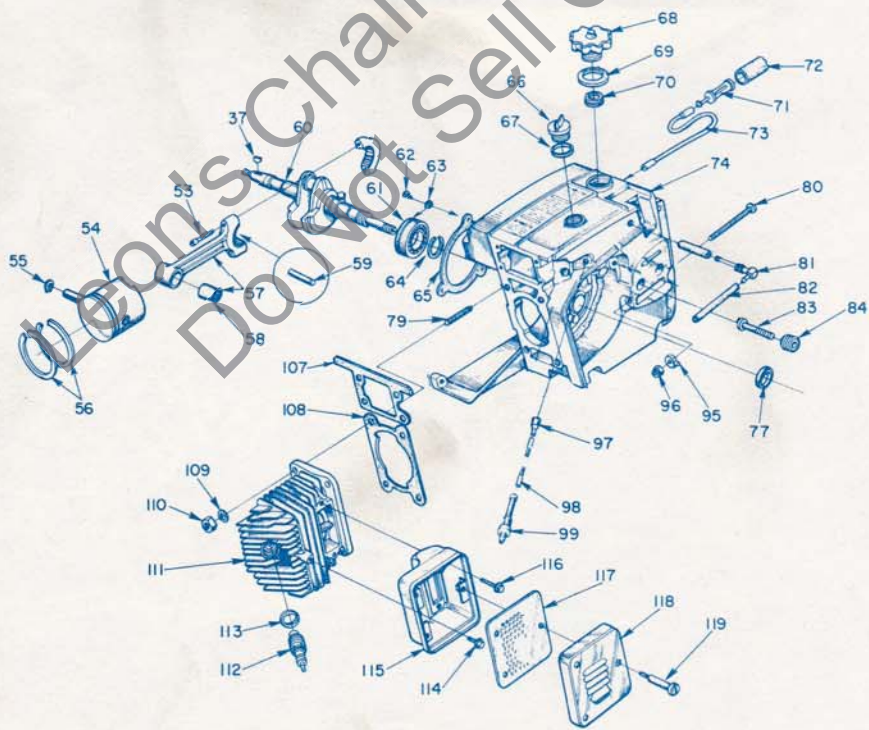


Leoni's Chainsaw Parts & Repair  
Do Not Sell Or Reproduce





**FIGURE 1**



**FIGURE 2**



# CHAIN SAWS

No.	Description	Part No.	Qty	No.	Description	Part No.	Qty
1	SCREW - hex, 12-24 x 5/8	80676	4	52	LEAD - high tension	63632	1
2	HOUSING - fan	A-63330-2	1	53	SCREW - socket cap, 8-32 x 9/16	80805	2
3	Includes: BUSHING - rope	59313	1	54	PISTON & PIN - 2" bore	A-63780	1
4	ROPE - starter	58806	1	55	Includes: RING - retaining	55095	1
5	GRIP - rope	58915	1	56	RING - piston (2" bore)	55038	2
6	INSERT	58847	1	57	ROD - connecting	A-63309	1
7	SHIELD - spring (inner)	63566	1	58	Includes: BEARING - needle	59351	1
8	SPRING - rewind	63268	1	59	BEARING - needle	A-63307	1
9	SHIELD - spring (outer)	63565	1	60	CRANKSHAFT	59625-1	1
10	PULLEY - starter	58759-1	1	61	BEARING - ball	58190-S	1
11	CUP - starter	58760	1	62	SCREW - bearing retaining	59704	1
12	WASHER - retaining	58763	1	63	WASHER - lock	59705	1
13	SCREW - hex	80648	1	64	RING - retaining	58319-A	1
14	NUT - hex, 3/8-24	81124	1	65	GASKET - sealing	63319	1
15	WASHER - lock, 3/8	83102	1	66	CAP - oil (vented)	A-63717	1
16	WASHER - flat, 3/8	84010-1	1	67	Includes: GASKET	56607	1
17	NUT - lock, 10-32	81109	2		(not shown) VALVE - vent	63718	1
18	SCREEN - air	63318	1		(not shown) COLLAR - retaining	63719	1
19	STUD - pawl	58757-A	2	68	CAP - fuel	A-59956	1
20	PAWL - starter (finger)	58756	2	69	Includes: GASKET	58957	1
21	WASHER	58851	2	70	VALVE - relief	56865	1
22	SPRING - pawl	58758	2	71	FILTER ASSEMBLY	A-59251	1
23	ROTOR	63406	1	72	Includes: FILTER	59253	1
24	SCREW GROUP - points	76421	1	73	LINE - flexible	55805	1
25	POINT SET - w/felts	A-63631	1	74	CRANKCASE & TANKS	A-63682	1
26	Includes: CLIP - post	28008	1	77	SEAL	58688-A	1
27	WASHER - point	28028	1	79	STUD	55871	4
28	TERMINAL BLOCK GROUP	A-58934	1	80	SCREW - guide bar adjusting	63367	1
29	COVER - breaker box	63317	1	81	FITTING - elbow	63297-A	1
30	GASKET - cover	63316	1	82	LINE - fuel	63335-A	1
31	RETAINER - felt	63628	1	83	STUD - guide bar	59764-A	2
32	SPRING - cover (clip)	76413	1	84	INSERT - threaded	59896	2
33	SCREW - hex, 12-24 x 3/4	80867	3	95	PIN - guide bar adjusting	58783	1
34	PLATE - back	A-63633	1	96	NUT - lock, 1/4-20	81108	1
35	Includes: SEAL	58688-A	1	97	FILTER - oil	A-58828	1
36	BEARING - roller	63195	1	98	LINE - oil pick-up	63605	1
37	KEY	75078	1	99	CONNECTOR - oil filter	59937	1
38	CORE - coil	63630	1	107	GASKET - throttle handle	63779	1
39	SCREW - hex, 12-24 x 9/16	80899	1	108	GASKET - cylinder	63778	1
40	WASHER - flat #8	84025-1	1	109	WASHER - lock, 1/4	83009	4
41	SCREW - rd., 8-32 x 3/4	80406	4	110	NUT - hex, 1/4 x 28	81065-2	4
42	CLAMP - condenser	63627	1	111	CYLINDER - 2" bore	63012-2	1
43	CONDENSER - ignition	63626	1	112	SPARK PLUG	63547-S	1
44	SCREW	55411	3	113	Includes: GASKET	25038	1
45	COIL - ignition	63625	1	114	SCREW - hex, 12-24 x 3/8	80837	1
46	CLIP - coil retaining	63726	1	115	BODY - muffler	A-63535-1A	1
47	SCREW - coil clip	58872	1	116	SCREW - hex, 12-24 x 5/8	80978	2
48	LEAD - ground	A-59031	1	117	BAFFLE - muffler	63521-A	1
49	SWITCH - w/nut	A-57650-3	1	118	CAP - muffler	63520-1	1
50	PLATE - "ON-OFF"	72085-A	1	119	SCREW - shoulder	63855	3
51	TERMINAL - spark plug	A-33056	1				

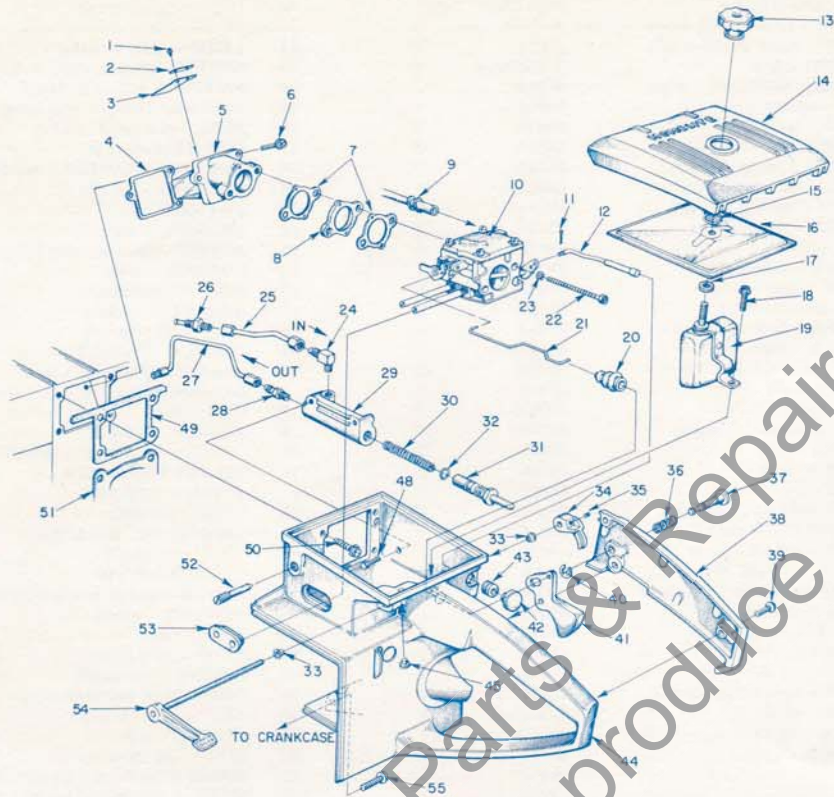
Leon's Chainsaw Parts & Repair  
Do Not Sell Or Reproduce

② Two separate gaskets replace one-piece gasket used in some units, Part No. 63223

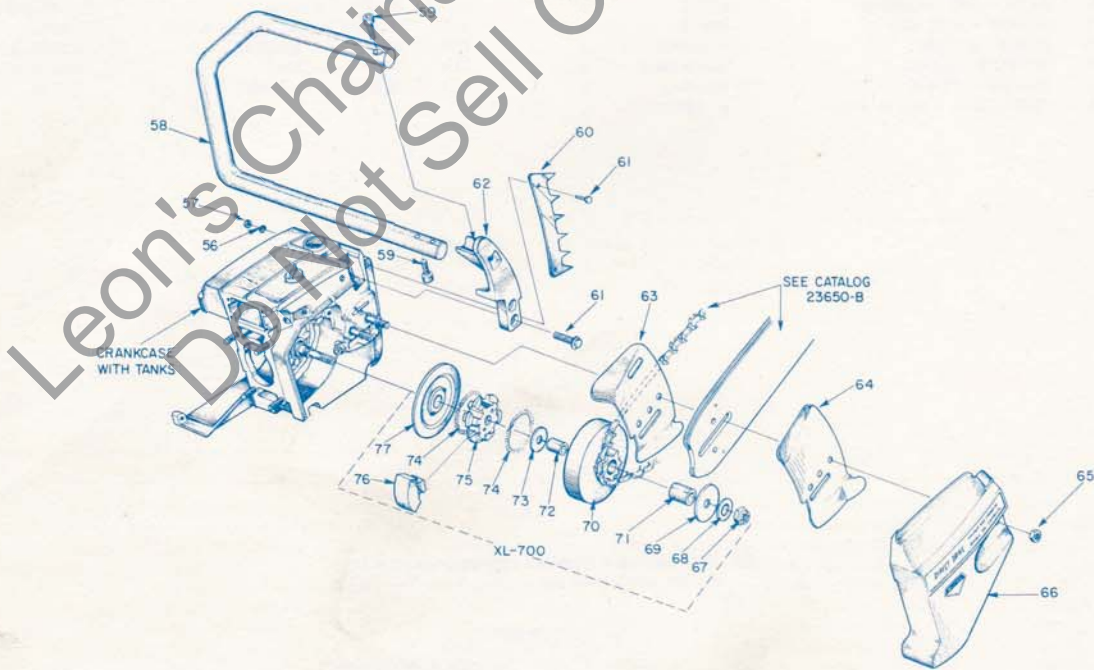
### ACCESSORY

A-63540-A SPARK ARRESTOR





**FIGURE 3**



**FIGURE 4**

ALWAYS FURNISH MODEL AND SERIAL NUMBER WHEN ORDERING PARTS.



# CHAIN SAWS

No.	Description	Part No.	Qty	No.	Description	Part No.	Qty
1	SCREW - pan 4-40 x 1/8	80918	8	40	RING - retaining	58409	1
2	SPRING - valve	59679	4	41	THROTTLE - trigger	58859	1
3	VALVE - reed	63166	4	42	BUTTON	57289-1	1
4	GASKET - retainer	63370	1	43	GROMMET	58362	1
5	SEAT - reed valve	63907	1	44	HANDLE - throttle	A-63683	1
6	SCREW - pan, 8-32 x 1/2	63709	3	45	Includes: BUMPER - rubber	56298	1
7	GASKET - carburetor	63254	2	48	SCREW - sl. hex, 8-32 x 1/2	80983	2
8	SPACER - carburetor	63256	1	49	GASKET - throttle handle	63779	1
9	LINE - fuel	63335-A	1	50	SCREW - hex, 12-24 x 5/8	80676	4
10	CARBURETOR	A-63448	1	51	GASKET - cylinder	63778	1
11	PIN - cotter	86324	1	52	SCREW - idle adjustment	63369	1
12	ROD - choke	A-63337	1	53	GROMMET	59058	1
13	NUT - cover mounting	A-63582-A	1	54	LEVER - oiler w/shaft	A-63327	1
14	COVER - air filter	63008-2	1	55	SCREW - hex, 12-24 x 7/8	80891	1
15	RING - retainer	58319-A	1	56	WASHER - lock, #12	83056	2
16	FILTER ELEMENT - air	63341	1	57	NUT - 12-24	81068	2
17	GASKET - mounting nut	58392-1	1	58	HANDLE BAR - flush cut	A-63485-2	1
18	SCREW - pan, 12-24 x 1/2	80963	1		HANDLE BAR - wrap-around <sup>2</sup>	A-63659	1
19	DEFLECTOR - air, w/bracket	A-63593	1	59	SCREW - socket, 1/4-20 x 1	80428	3
20	BOOT - throttle rod	58348	1	60	BUMPER - spiked (optional)	63549	1
21	ROD - throttle	63266	1	61	SCREW - hex, 12-24 x 3/4	80867	2
22	SCREW - hex, 10-32 x 2	80965	2	62	BRACKET - handle bar (flush cut)	63011-3	1
23	WASHER - lock, #10	83046	2		BRACKET - handle bar (wrap-around) <sup>2</sup>	63011-5	1
24	VALVE - check	A-63432	1	63	PLATE - guide bar (inner)	58781	1
25	LINE - oil	A-63298	1	64	PLATE - guide bar (outer)	58782	1
26	CONNECTOR - oil filter	59937	1	65	NUT - 5/16-18	81196	2
27	LINE - oil	A-63299	1	66	COVER - drivecase	63009-2	1
28	VALVE - check	A-59456-A	1	67	NUT - lock, 3/8-24	81192	1
29	BODY - oil pump	63343-2	1	68	WASHER - flat, 3/8	84010-1	1
30	SPRING - plunger	59293	1	69	WASHER - thrust (outer)	58926	1
31	PLUNGER - oil pump	A-57834-14	1	70	SPROCKET & DRUM <sup>3</sup>		
	Includes: "O" RING - shaft	59074	1		standard - 7 tooth, 3/8" pitch	A-59552	1
32	"O" RING - plunger	74388	1	71	BEARING - needle	72311	1
33	BUSHING - throttle handle	63400	2	72	RACE - inner	55584	1
34	LEVER - oiler	63280-2	1	73	WASHER - thrust (inner)	58833	1
35	SCREW - fil-hd. set 8-32 x 3/4	80018	1	74	SPRING - clutch	55123-C	2
36	SPRING - lock	58405	1	75	SPIDER - clutch	58927-1	1
37	PIN - throttle lock	58924	1	76	SHOE - clutch	58928	6
38	COVER - throttle handle	A-63325-1	1	77	COVER - clutch	58751-1	1
	Includes: BUSHING - pin	59064	1				
39	SCREW - pan 8-32 x 1/2	80560	2				

<sup>2</sup> Wrap-around Handle Bar and special Bracket also requires #63660 Brace (not shown) mounted on drivecase cover. Attach Brace to Handle Bar with one #80867 screw.

## SPECIAL TOOLS available on order

Part No.	Description	Part No.	Description
A-23937	COMBINATION WRENCH	A-23841	WRENCH - insert (guide bar stud)
22828	PLIERS - piston snap ring	A-23960	PULLER - rotor
23528	WRENCH - socket screw (conn. rod)	23819	PLUG - needle bearing (sprocket)
23955	PLUG - bearing installation (conn. rod)	23956	PLUG - bearing and seal installation (back plate)
A-23137	JACKSCREW	A-23962	REMOVER - bearing (back plate)
23136	BODY - jackscrew	23846-2	ANVIL - bearing disassembling (back plate)
22820-3	COLLAR - bearing	A-23951	PLUG - piston pin removal
23846-1	ANVIL - crankshaft installation	23987	Shim - plastic .0075" thick
23759	SLEEVE - seal protecting (crankcase)	A-23951	PAINT
23972	SLEEVE - seal installation (crankcase)	23318	SPRAY CAN - blue
23957	PLUG - seal installation (crankcase)	22771	SPRAY CAN - red
50957	REMOVER - threaded spider	23560	SPRAY CAN - white

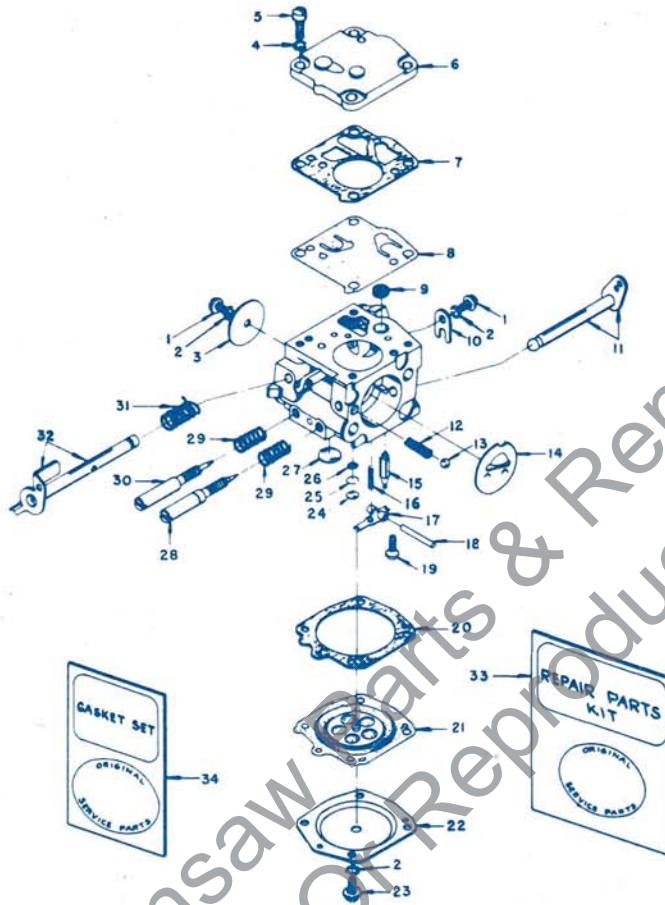
ALWAYS FURNISH MODEL AND SERIAL NUMBER WHEN ORDERING PARTS.



# CARBURETOR PARTS

Homelite Chain Saw

Assembly Number  
A-63448



PILLOTSON MODEL HS-26A

No.	Part No.	Description	Qty.	No.	Part No.	Description	Qty.
1	* 80264	SCREW - rd., 4-40 x 3/16	2	18	* 58977	PIN - control lever	1
2	83008-1	WASHER - lock, #4	6	19	* 58992	SCREW - 4-40 x 5/16	1
3	25050	SHUTTER - throttle	1	20	58978	GASKET - diaphragm	1
4	83024	WASHER - lock, #6	1	21	* 58988	DIAPHRAGM - main	1
5	80275	SCREW - fil., 6-32 x 3/8	4	22	58979	COVER - diaphragm	1
6	58975	COVER - pump	1	23	80591	SCREW - rd., 4-40 x 1/4	4
7	58981	GASKET - fuel pump	1	24	* 58994	PLUG - expansion	1
8	* 58980-R	DIAPHRAGM - fuel pump	1	25	57819	RING - retaining	1
9	* 58974	SCREEN	1	26	59500	SCREEN - channel	1
10	58982	CLIP - throttle shaft	1	27	* 58991	PLUG - expansion	1
11	58990	SHAFT & LEVER - choke	1	28	* 63676	NEEDLE - main adjusting	1
12	73264	SPRING - choke friction	1	29	* 73075	SPRING - needle	2
13	25527	BALL - choke friction	1	30	* 63677	NEEDLE - idle adjusting	1
14	58984	SHUTTER - choke	1	31	* 59460	SPRING - throttle return	1
15	* 59717	NEEDLE - inlet	1	32	A-63345	SHAFT & LEVER - throttle	1
16	* 55759	SPRING - inlet	1	33	63679	REPAIR KIT	1
17	* 59716	LEVER - inlet	1	34	* 58971	GASKET SET	1

\* Included in Repair Kit.

PART NO. 23975T

**TERRY INDUSTRIES**  
A DIVISION OF **textron** CANADA LIMITED

180 Labrosse Ave., Pointe Claire, Que.

