

HOMELITE

Chain Saw



XL-12

PARTS LIST

HOMELITE XL-12 CHAIN SAW

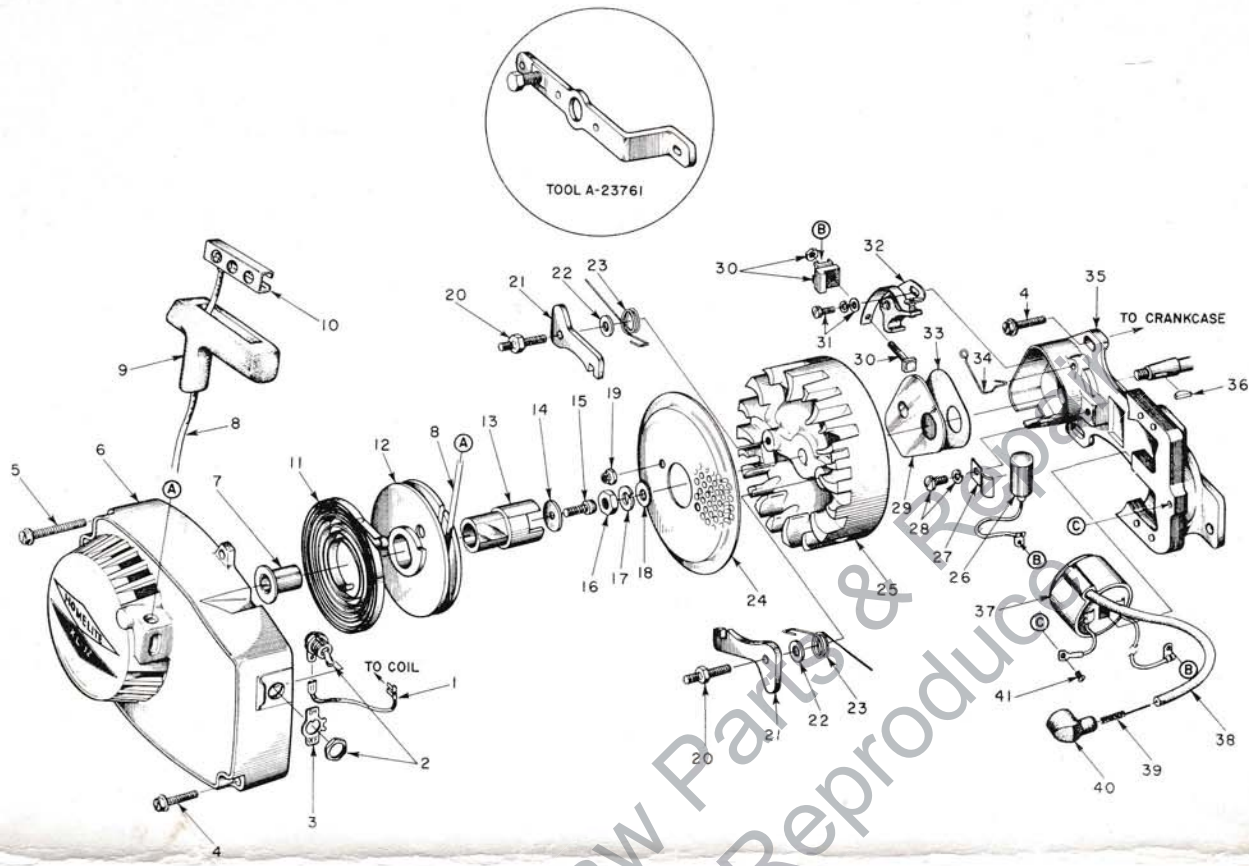


FIGURE 1

Index No.	Part No.	Description	No. Required	Index No.	Part No.	Description	No. Required
1	*A-59031	LEAD — ground w/terminals	1	21	58756	FINGER — starter	2
2	A-57650-3	SWITCH — w/nut	1	22	58851	WASHER	2
3	72085-A	PLATE — "ON - OFF"	1	23	58758	SPRING — starter finger	2
4	80676	SCREW — hex hd., 12-24 x 3/4	4	24	58765	SCREEN — starter	1
5	80890	SCREW — hex hd., 12-24 x 1 1/16	3	25	58809	ROTOR — magneto	1
6	A-58803	FAN HOUSING	1	26	58817	CONDENSER	1
		Includes		27	74514	CLAMP — condenser	1
7	58761	BUSHING — flanged	1	28	30261	SCREW GROUP — condenser	1
8	58806	ROPE — starter	1	29	58811	COVER — breaker box	1
9	58915	GRIP — rope	1	30	A-58934	TERMINAL BLOCK GROUP	1
10	58847	INSERT	1	31	76421	SCREW GROUP — points	1
11	58764	SPRING — recoil	1	32	A-58914	POINT SET — w/felt	1
12	58759	PULLEY — starter	1	33	58810	GASKET — cover	1
13	58760	CUP — starter	1	34	76413	SPRING — cover	1
14	58763	WASHER — retaining	1	35	58875	PLATE AND CORE	1
15	80492	SCREW — socket hd. 10-32 x 1/2	1	36	75078	KEY — rotor	1
16	81117	NUT — hex, 5/16-24	1	37	58874	COIL	1
17	83002	WASHER — lock, 5/16	1	38	†58966	LEAD — hi-tension	1
18	84056	WASHER — flat, 5/16	1	39	58919	SPRING — contact	1
19	81109	NUT — hex lock, 10-32	2	40	58918	BOOT — spark plug	1
20	58757	STUD — shoulder	2	41	58872	SCREW — coil ground	1

*3" of #20 insulated, stranded wire with one straight (1/4") snap-on terminal, and one flag (5/16") snap-on terminal.
 †8 1/2" 7MM (O.D.) hi-tension cable.

HOMELITE XL-12 CHAIN SAW

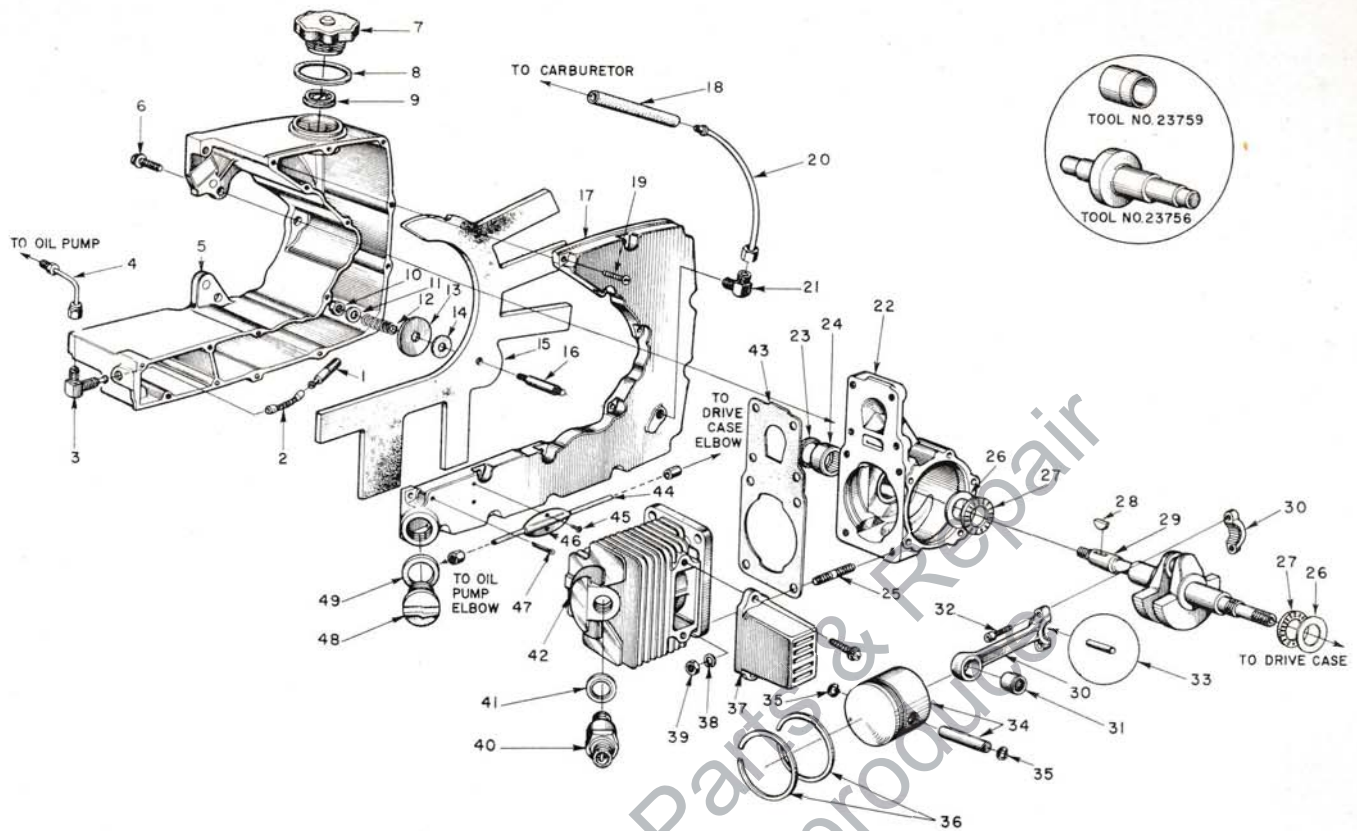


FIGURE 2

Index No.	Part No.	Description	No. Required	Index No.	Part No.	Description	No. Required
1	A-59009	OIL FINDER	1	26	58725	RACE — thrust bearing	2
2	59000	SLEEVE — flexible	1	27	58726	BEARING — needle thrust	2
3	A-59010	CHECK VALVE — 90°	1	28	75078	KEY — rotor	1
4	A-59014	OIL LINE — tank to pump	1	29	58439	CRANK SHAFT	1
5*	58732	TANK — fuel and oil	1	30	A-58769	CONNECTING ROD	1
6	80867	SCREW — hex hd., 12-24 x 3/4	5			Includes	
7	A-58368-A	CAP — fuel filler	1	31	58724	BEARING	1
		Includes		32	80889	SCREW — socket hd., 8-36 x 1/2	2
8	58957	GASKET	1	33	A-58864	ROLLERS — set (28)	1
9	56865	VALVE	1	34	A-58903	PISTON AND PIN	1
10*	81109	NUT — hex lock, 10-32	1			Includes	
11*	84003-1	WASHER — flat, #10	1	35	75120	RING — retaining	2
12*	58867	SPRING — compression	1	36	58877	RING — piston	2
13*	58866	WASHER — wick	1	37	58584	MUFFLER	1
14*	58865	GASKET	1	38	83009	WASHER — lock, 1/4	4
15*	58862	WICK — fuel pick-up	1	39	81065-2	NUT — hex, 1/4-28	4
16*	58519	STUD — wick	1	40	58917-S	SPARK PLUG	1
17*	58739	COVER — tank	1			Includes	
18	58997	FUEL LINE — flexible	1	41	25038	GASKET	1
19	80789	SCREW — rd. hd., #6 x 3/16	16	42	58706	CYLINDER	1
20	A-59007	FUEL LINE	1	43	58513	GASKET	1
21	58995	ELBOW — fuel line	1	44	A-59012	OIL LINE — pump to drivecase	1
22	A-58799	CRANK CASE	1	45	80658	SCREW — pan hd., 4-40 x 3/16	2
		Includes		46	59016	PLATE — retainer	1
23	58688	SEAL	1	47	86301	COTTER PIN	1
24	58956	BEARING	1	48	A-56580-1	CAP — oil filler	1
25	55871	STUD	4			Includes	
				49	56607	GASKET	1

*Fuel tank assembly available only as a complete unit Part No. A-59006.

HOMELITE **XL-12** CHAIN SAW

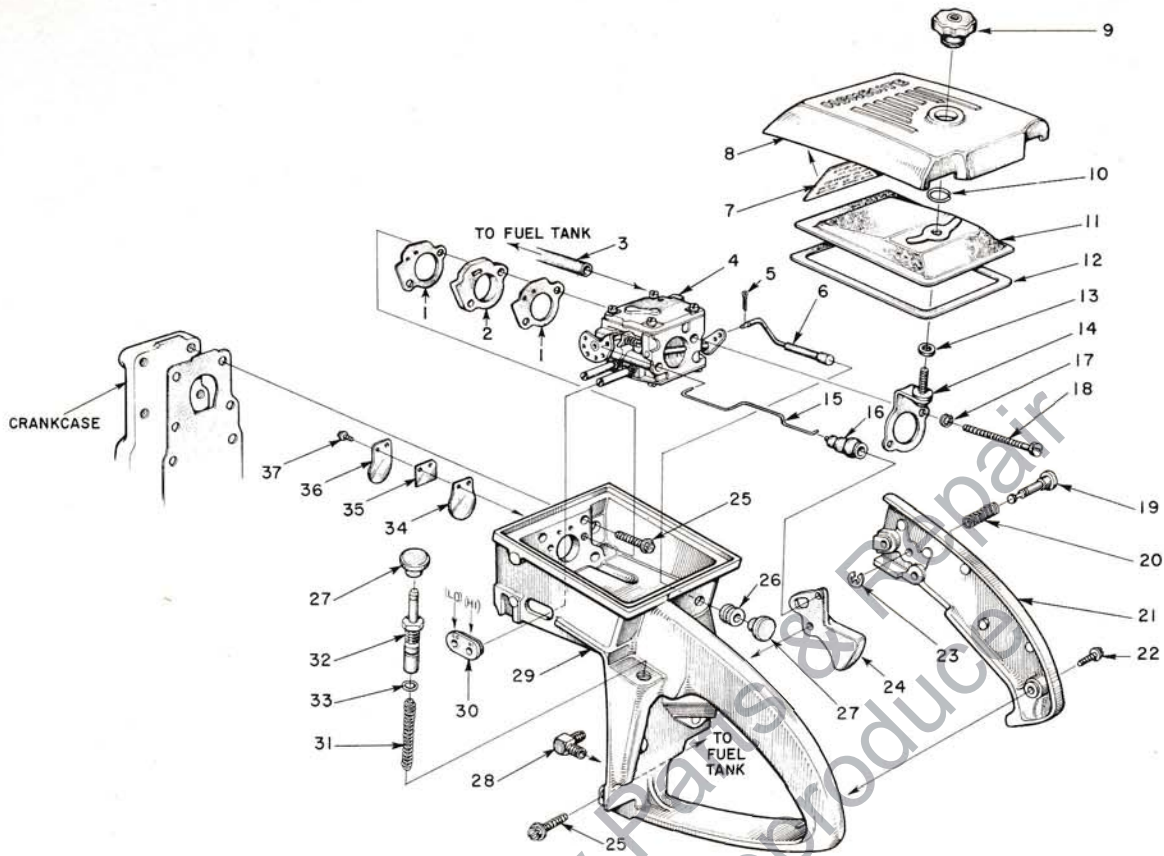


FIGURE 3

Index No.	Part No.	Description	No. Required	Index No.	Part No.	Description	No. Required
1	58537	GASKET — carburetor	2	19	58924	PIN — throttle lock	1
2	58780	SPACER — carburetor	1	20	58405	SPRING — lock	1
3	58997	FUEL LINE — flexible	1	21	58779	COVER — handle	1
4	*A-58767	CARBURETOR	1	22	80560	SCREW — pan hd. 8-32 x 1/2	2
	†58971	GASKET SET	1	23	58409	RING — retaining	1
	58972	REPAIR PARTS KIT	1	24	58859	THROTTLE	1
5	86324	COTTER PIN	1	25	80891	SCREW — hex hd. 12-24 x 7/8	5
6	A-58826	ROD — choke	1	26	58362	GROMMET	1
7	59024	INSTRUCTIONS	1	27	57289-1	BUTTON	2
8	58773	COVER — air filter	1	28	A-59011	CHECK VALVE — elbow	1
9	58882	NUT — cover	1	29	A-58792	HOUSING AND HANDLE	1
10	58319-A	RING — retaining	1	30	59058	GROMMET — "LO-HI"	1
11	58774-1	ELEMENT — air filter	1	31	71762	SPRING — plunger	1
12	58884	GASKET — filter	1	32	A-57834-5	PLUNGER — oil pump	1
13	58392	GASKET — mounting stud	1			Includes	
14	A-58818	BRACKET — mounting	1	33	74388	"O" RING	1
15	58836	ROD — throttle	1	34	58775	REED	1
16	58348	BOOT — throttle rod	1	35	59053	BACK-UP — reed	1
17	83046	WASHER — lock, #10	2	36	58776	STOP — reed	1
18	80481	SCREW — hex hd. 10-32 x 2 1/4	2	37	80658	SCREW — pan hd. 4-40 x 3/16	2

*Refer to Carburetor Parts List
 †Included in Repair Parts Kit #58972.

HOMELITE XL-12 CHAIN SAW

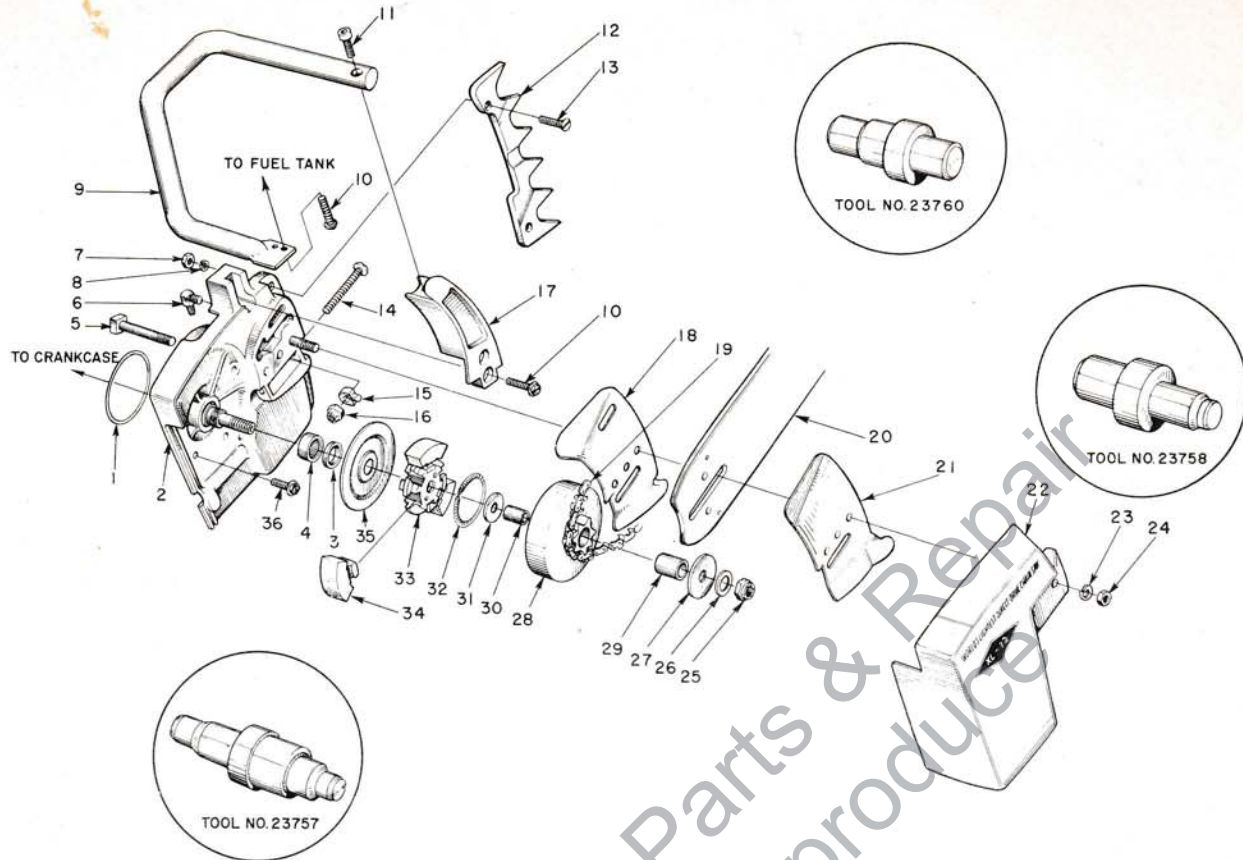


FIGURE 4

Index No.	Part No.	Description	No. Required	Index No.	Part No.	Description	No. Required
1	58785	"O" RING	1	20	†	GUIDE BAR	1
2	A-58925	DRIVE CASE	1		HT-1250	12", .050 gauge	
		Includes			GW-1650	16", .050 gauge	
3	58688	SEAL	1		GW-2050	20", .050 gauge	
4	58956	BEARING — needle	1	21	58782	PLATE — outer guide bar	1
5	58753	BOLT — guide bar	2	22	58750	COVER — drive case	1
6	56707	ELBOW — oil line	1	23	83002	WASHER — lock, 3/16	2
7	81010	NUT — hex, 10-32	2	24	81196	NUT — hex, 3/16-18	2
8	83006-1	WASHER — lock #10	2	25	81192	NUT — hex, 3/8-24	1
9	A-58793	HANDLE BAR	1	26	84010	WASHER — flat, 3/8	1
10	80867	SCREW — hex hd., 12-24 x 3/4	4	27	58926	WASHER — thrust (outer)	1
11	80428	SCREW — socket hd., 1/4-20 x 1	1	28	A-58797	SPROCKET AND DRUM — 7 tooth, 3/8" pitch	1
12	58961	BUMPER PLATE	1			Includes	
13	80037	SCREW — flat hd., 10-32 x 3/4	2	29	58784	BEARING — sleeve	1
14	80885	SCREW — pin, 1/4-20 x 2	1	30	58737	RACE — inner	1
15	58783	PIN — bar adjusting	1	31	58833	WASHER — thrust (inner)	1
16	81108	NUT — lock, 1/4-20	1	32	55123-C	SPRING — clutch	2
17	58766	BRACKET — handle bar	1	33	58927-1	SPIDER — clutch	1
18	58781	PLATE — inner guide bar	1	34	58928	SHOE — clutch	3
19	†	CHAIN — .050 gauge, 3/8" pitch	1	35	58751	COVER — clutch	1
	A-52961	12" loop,		36	80676	SCREW — hex hd., 12-24 x 5/8	5
	A-52962	16" loop,					
	A-52963	20" loop,					

*ACCESSORY — available on order.
†Sizes supplied as ordered.

SPECIAL TOOLS (available on order)

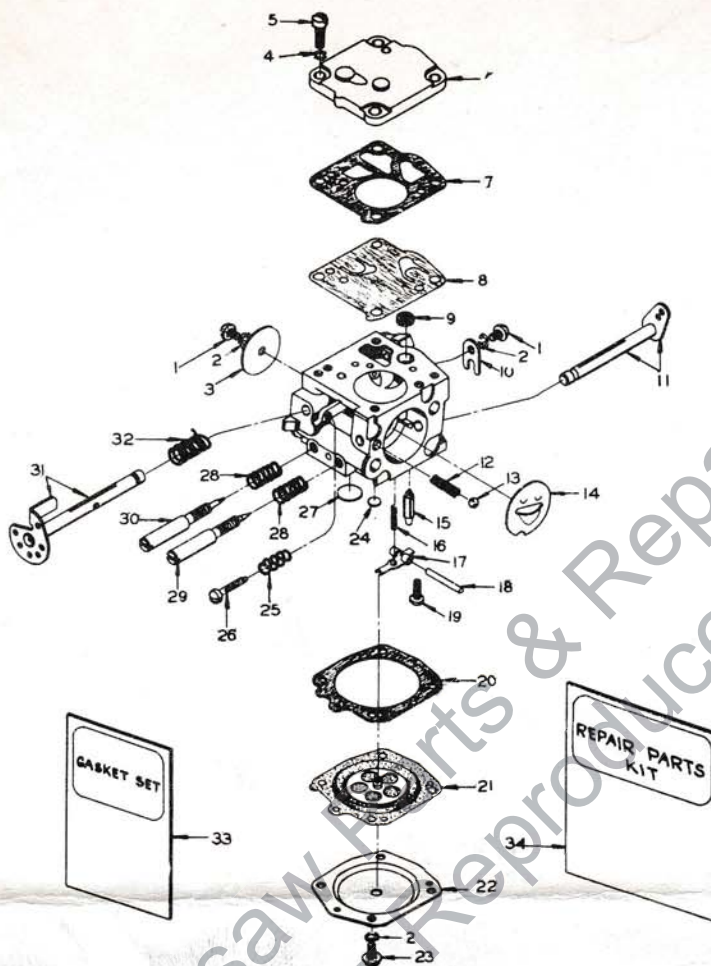
Part No.	Description	Part No.	Description
22808	COMBINATION WRENCH — bar adjusting	†23758	SEAL ASSEMBLY — drive and crank cases
22828	PLIERS — piston snap ring	†23759	SLEEVE — crankshaft assembly
23528	WRENCH — socket screw (conn. rod)	†23760	BEARING ASSEMBLY AND DISASSEMBLY — sprocket drum
†23756	BEARING ASSEMBLY AND DISASSEMBLY — conn. rod	†A-23761	REMOVER AND LOCKING BRACKET — rotor
†23757	BEARING ASSEMBLY AND DISASSEMBLY — drive and crank cases	A-23696	REMOVER — threaded spider

†Illustrated

Always furnish saw model and serial number when ordering parts

CARBURETOR PARTS

Homelite Chain Saw



Model - Tillotson HS-1A

A-58767

Index No.	Part No.	Description	Qty. Req'd.	Index No.	Part No.	Description	Qty. Req'd.
1	*80264	SCREW-4-40 x 3/16	2	18	*58977	PIN - fulcrum	1
2	83008-1	WASHER - #4	6	19	*58992	SCREW - 4 - 40 x 5/16	1
3	25050	THROTTLE SHUTTER	1	20	58978	GASKET - diaphragm	1
4	83024	WASHER - #6	4	21	*58988	DIAPHRAGM - main	1
5	80275	SCREW - 6 - 32 x 3/8	4	22	58979	COVER - diaphragm	1
6	58975	COVER - pump	1	23	80591	SCREW - 4 - 40 x 1/4	4
7	58951	GASKET - fuel pump	1	24	*58994	PLUG - Welch 3/16	1
8	*58980	DIAPHRAGM - fuel pump	1	25	*58973	SPRING - idle speed	1
9	*58974	SCREEN	1	26	*58993	SCREW - idle stop	1
10	58982	CLIP - throttle shaft	1	27	*58991	PLUG - Welch 11/32	1
11	58990	CHOKE SHAFT & LEVER	1	28	*73075	SPRING - adjusting screw	2
12	73264	SPRING - choke friction	1	29	*58986	NEEDLE - main adjusting	1
13	25527	BALL - choke friction	1	30	*58985	NEEDLE - idle adjusting	1
14	58984	SHUTTER - choke	1	31	58989	THROTTLE SHAFT & LEVER	1
15	*58983	NEEDLE - inlet	1	32	*58987	SPRING - throttle return	1
16	*55759	SPRING - inlet tension	1	33	*58971	GASKET SET	1
17	*58976	LEVER - inlet control	1	34	58972	REPAIR KIT	1

* Included in REPAIR PARTS KIT



MANUFACTURED BY

PART NO. 23755
PRINTED IN CANADA

TERRY

A DIVISION OF **Textron** CANADA LIMITED

MACHINERY COMPANY

1240 Laurentien Blvd., Montreal 9, Que.

**PUMPS
GENERATORS
VIBRATORS
CHAIN SAWS
SPACE HEATERS
TAMPERS**

MONCTON •

QUEBEC •

MONTREAL •

OTTAWA •

TORONTO •