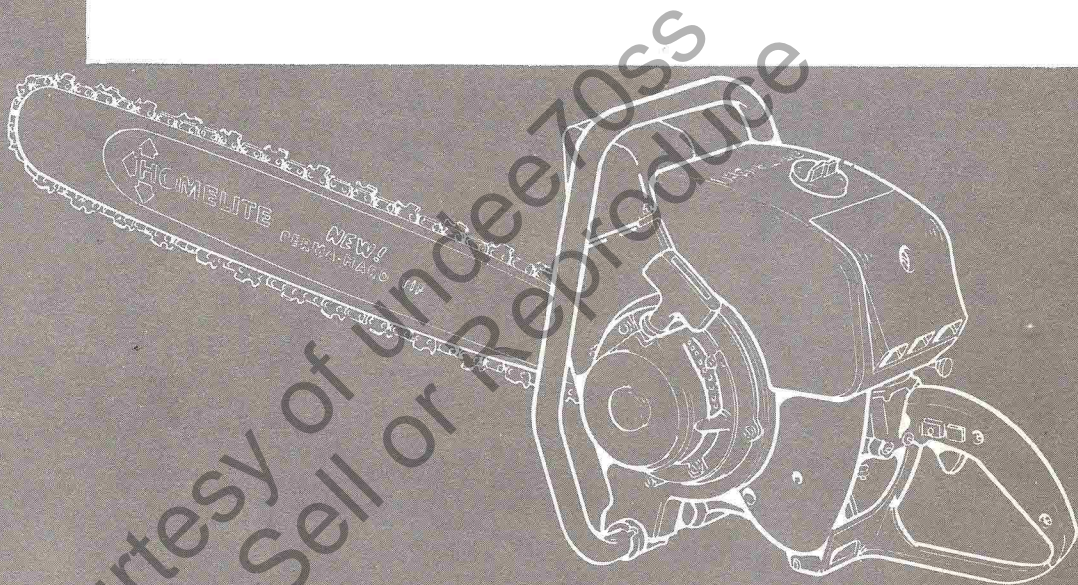


# PARTS LIST

# HOMELITE®



**SUPER  
WIZ  
80**

**HOMELITE®**

A Textron DIVISION

PORT CHESTER, N.Y. U.S.A.

# SUPER WIZ 80

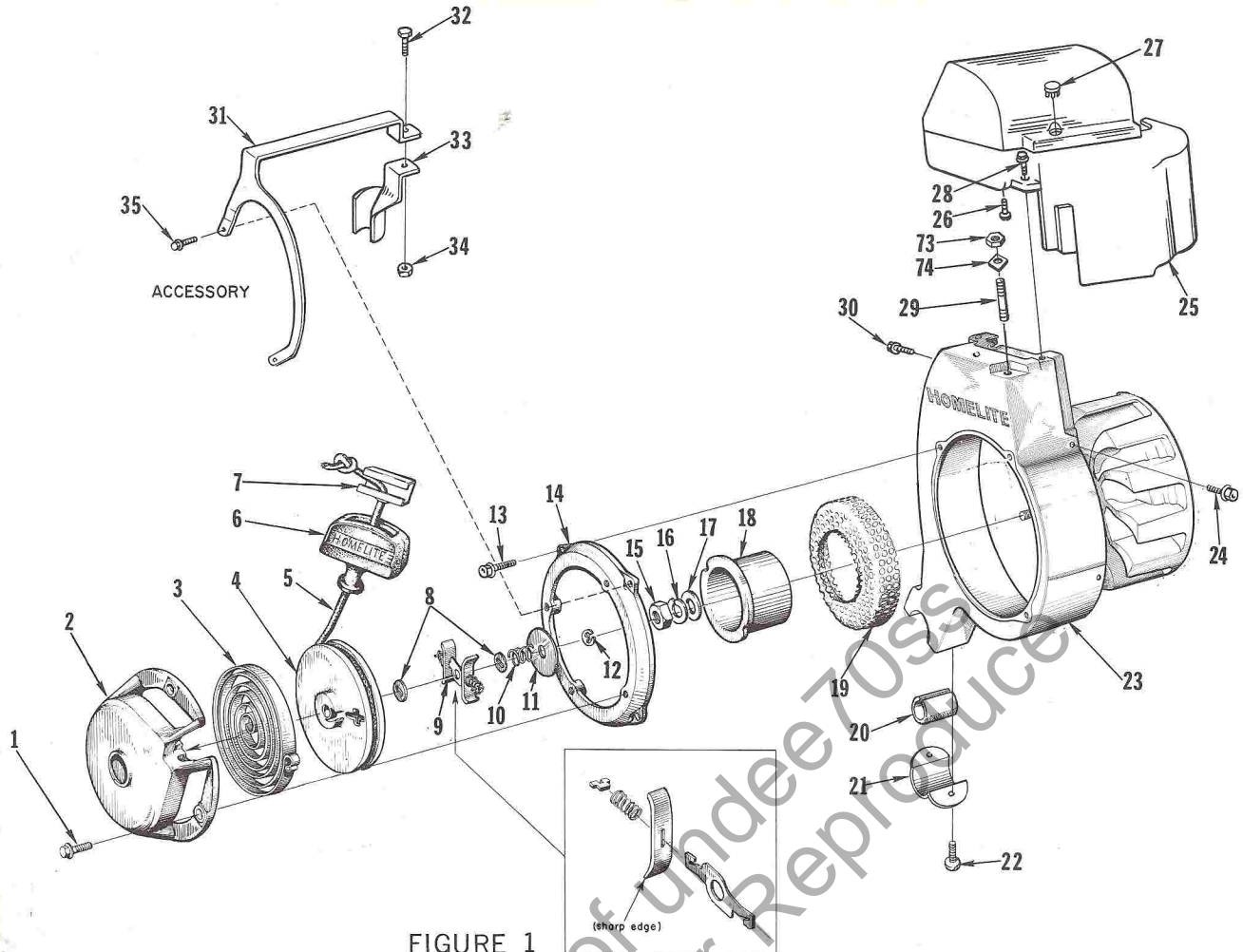


FIGURE 1

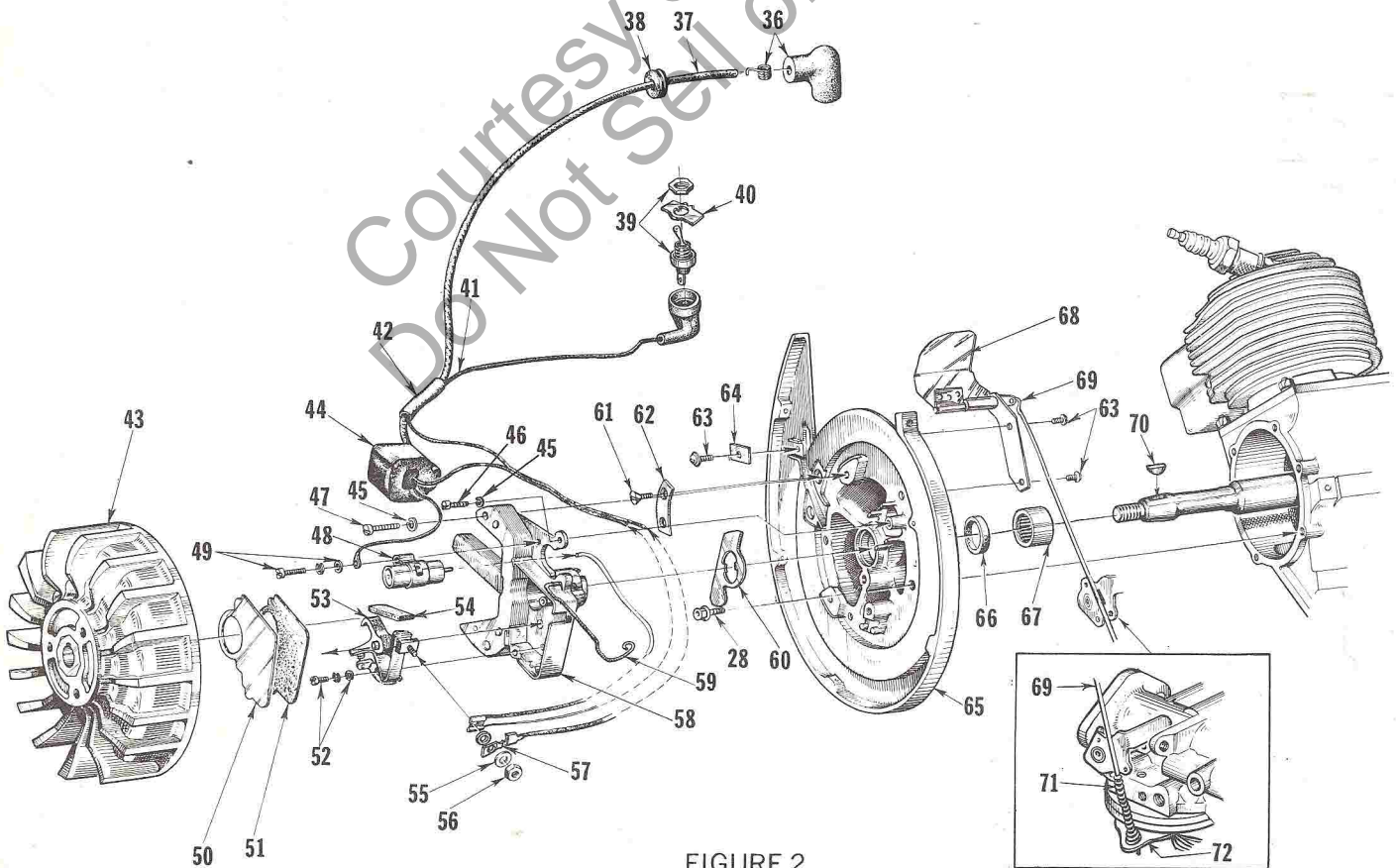


FIGURE 2

ALWAYS FURNISH MODEL AND SERIAL NUMBER WHEN ORDERING PARTS.

# SUPER WIZ 80

No.	Description	Part No.	Qty.	No.	Description	Part No.	Qty.
1	SCREW-hex, 1/4-20 x 1/2	80681	4	37	LEAD-high tension	55235-A	1
2	COVER-starter	A-56450-2A	1	38	GROMMET	60929	1
3	SPRING-rewind	56451-1	1	39	SWITCH-toggle w/nut	A-57716	1
4	PULLEY-starter	56452	1	40	Includes: PLATE-"On-Off"	55879	1
5	ROPE-starting	55898	1	41	LEAD-ground	A-57738	1
6	GRIP-rope	55937	1	42	SLEEVE-insulating	55290	1
7	INSERT-grip	58517	1	43	ROTOR	57579-A	1
8	WASHER-brake	58970	2	44	COIL	55986-A	1
9	SHOE-friction	A-57647	1	45	WASHER-lock, # 10	83046	3
10	SPRING-brake	56455	1	46	SCREW-fil, 10-24 x 1/2	80595	1
11	WASHER-retaining	76436	1	47	SCREW-fil, 10-24 x 7/8	80660	2
*12	RING-retaining	67906	1	48	CONDENSER-w/terminal	55987	1
13	SCREW-hex, 12-24 x 9/16	80899	2	49	SCREW GROUP-condenser	57750	1
14	RING-starter	56531-6	1	50	COVER-breaker box	55979	1
15	NUT-jam, 7/16-20	81110	1	51	GASKET-cover	55978-2	1
16	WASHER-lock, 7/16	83019	1	52	SCREW GROUP-point	57749	1
17	WASHER-flat, 7/16	84055	1	53	POINTS-breaker (set)	A-58165	1
18	CUP-starter	56441-1	1	54	Includes: WICK-felt	55984	1
19	SCREEN-air	56442	1	55	WASHER-terminal	55983	1
20	CUSHION-handle	56281	1	56	NUT-terminal	55982	1
21	CLAMP-handle, fan housing	56282-A	1	57	TAB-ground lead	57733	1
22	SCREW-hex, 12-24 x 1/2	80821	2	58	BOX-breaker w/core	57744	1
23	HOUSING-fan	A-57542-5	1	59	CLIP-cover	55980	1
24	SCREW-hex, 10-24 x 3/8	80869-1	1	60	SEAL-felt	56292-A	1
*25	SHIELD-cylinder	A-68108-1	1	61	SCREW-flat, 6-32 x 5/16	80598	2
26	Includes: SCREW-rd, 6 x 1/2	80513	4	62	CLAMP-inner	55962	1
27	PLUG-button	32814	1	63	SCREW-pan, 8-32 x 1/4	80575	3
28	SCREW-hex, 10-32 x 9/16	80825	8	64	CLAMP-outer	55161	1
29	STUD-fuel tank	73730	1	65	PLATE-back	A-63179	1
30	SCREW-hex, 12-24 x 3/8	80837	2	66	Includes: SEAL	56134	1
31	KIT-fuel tank bracket	A-64901	1	67	BEARING-needle	57533	1
	Includes: STRAP-reinforcing			68	GOVERNOR	A-58222-3	1
32	SCREW-hex, 1/4-20 x 13/16	80573	1	69	ROD-governor	A-63046	1
33	BRACKET-strap	63148-1	1	70	KEY-rotor	75078	1
34	NUT-lock, 1/4-20	81108	1	71	SPRING-governor	63047	1
35	SCREW-hex, 12-24 x 11/16	80751	2	72	BRACKET-governor spring	63048	1
36	TERMINAL-spark plug	A-55873-A	1	73	NUT-1/4-28	81114	1
				74	WASHER-square	59348	1

\* Denotes new parts

AVAILABLE: COMPLETE STARTER ASSEMBLY A-56540-6,  
includes index # 2 thru # 12, # 18 and # 19.

### Tools

A-22808	WRENCH-combination
A-22560	REMOVER-rotor
A-23696-A	REMOVER-threaded spider
23136-2	BODY-jackscrew
23232	SLEEVE-crankcase seal
22820-1	COLLAR-main bearing
A-23137	JACKSCREW
22812-1	PLATE-shaft aligning
23391-1	PLUG-back plate needle bearing
23233	PLUG-back plate, crankcase seal
23228	PLUG-sprocket shaft bearing
22828	PLIERS-piston snap ring
22726	PLIERS-snap ring
22126	WRENCH-socket screw (conn. rod)
A-23809	PLUG-conn. rod needle bearing
23267	ANVIL-sprocket shaft
23710	SPANNER-starter cup
23234	PLUG-conn. rod, needle bearing

### Oil

55291-C GEAR OIL-1 pint

### Paint

23475 SPRAY CAN-red  
22772 SPRAY CAN-black

# 23742 (universal replacement) composed of "Direct Drive",  
"Gear Drive", "Starting Instructions", and two "Homelite"  
(letters 1/4 "and 1/2" high)

# SUPER WIZ 80

No.	Description	Part No.	Qty.	No.	Description	Part No.	Qty.
1	COVER-air filter	A-57696-A	1	43	GASKET	57659	1
2	Includes: SCREW	57994	1	44	SCREW-hex, 12-24 x 5/8	80676	4
	NUT-retainer (not shown)	81163	1	45	SPRING-compression	63031	2
3	FILTER-air	58036	1	46	SCREW-pan, 10-32 x 1-3/16	80841	2
4	GASKET-filter	57993	1	47	BUMPER-spiked	55103-1	1
5	GASKET-stud	57991	1	48	SCREW-hex, 1/4-20 x 13/16	80573	5
6	STUD-mounting	57996	1	*49	HANDLE BAR-flush cut optional-wrap around	A-57673-2	1
7	LINE-fuel	55680	1			A-57671	1
8	FITTING-fuel	57652	1	50	FITTING-elbow	31734	1
9	LINE-fuel	55805	1	51	FITTING-straight	31733-1	1
10	FILTER-fuel	A-59251	1	52	WASHER-lock, 5/16	83003	2
11	Includes: FILTER-felt	59253-1	1	53	SCREW-hex, 5/16-18 x 1-1/2	80087	2
12	TANK-fuel	A-65324-A	1	54	STRAP-fuel tank	59347	1
*13	Includes: GASKET-fuel tank	67749	1	55	NUT-1/4-28	81114	2
*14	COVER-fuel tank	57595-3A	1	56	GASKET	55116	1
15	SCREW-fil, 8-32 x 3/4	82156	1	57	SPACER-reed valve	55933-1	1
16	SCREW-pan, 8-32 x 5/8	82177	1	58	STUD	55945	2
*17	SCREW-fil, 8-32 x 1-7/16	82187	7	59	SCREW-pan, 10-32 x 3/4	80583	3
18	SCREW-fil, 8-32 x 5/8	82146	3	*	VALVE-reed	A-55958-4	1
19	GROMMET	64473	2	60	Includes: SEAT	55932-7	1
20	SCREW-shoulder	64133-A	1	61	REED	55941-1	4
21	CAP-fuel	A-64140-1	1	62	CLAMP-reed	55942	4
22	Includes: GASKET	65358	1	63	SCREW-pan, 4-40 x 3/16	80658	8
23	DECAL-caution	64144	1	64	WASHER-lock, 1/4	83009	2
24	CAP-oil	A-63717-A	1	65	NUT-1/4-20	81013-1	2
25	Includes: GASKET	56607	1	66	SLEEVE-rod	63024	1
26	LINE-oil	A-55191	1	67	HANDLE-throttle w/pin	A-63178	1
27	VALVE-check	A-59456-A	1		Includes: PAD-felt (not shown)	55372	1
28	FILTER-oil	A-59449	1	68	SCREW-hex, 12-24 x 1/2	80821	2
29	LINE-oil filter	59000	1	69	ROD-throttle	A-55954	1
30	GASKET-seat	55110	1	70	Includes: SPRING	55045-A	1
31	SEAT-check valve	59450	1	71	TRIGGER-throttle	A-55207	1
32	BALL-check	25527	1	72	SCREW-pan, 8-32 x 1/2	80560	4
33	SPRING-valve	59022	1	73	COVER-handle	A-55228	1
34	GASKET	55107	1		Includes: LOCK-throttle (not shown)	A-55282	1
35	CAP-check valve	A-55167	1	74	SPRING	72970	1
36	SPRING	59293	1	75	SHIELD-carburetor	55104-9	1
37	PLUNGER-oil	A-57834-10	1	76	CARBURETOR	A-58102	1
38	Includes: "O" RING	74388	1	77	GASKET	55553-3	1
39	"O" RING	59074	1	78	BRACKET-governor spring	63048	1
40	BUTTON	57289-1	1	79	GASKET	55946	1
41	GASKET	72971-2	1	80	BRACE	58549-A	1
42	ELBOW-air,	57618-4	1	81	CUSHION-handle	55146	1
				82	SCREW-hex, 1/4-20 x 5/8	80581	4

\* Denotes new parts

# SUPER WIZ 80

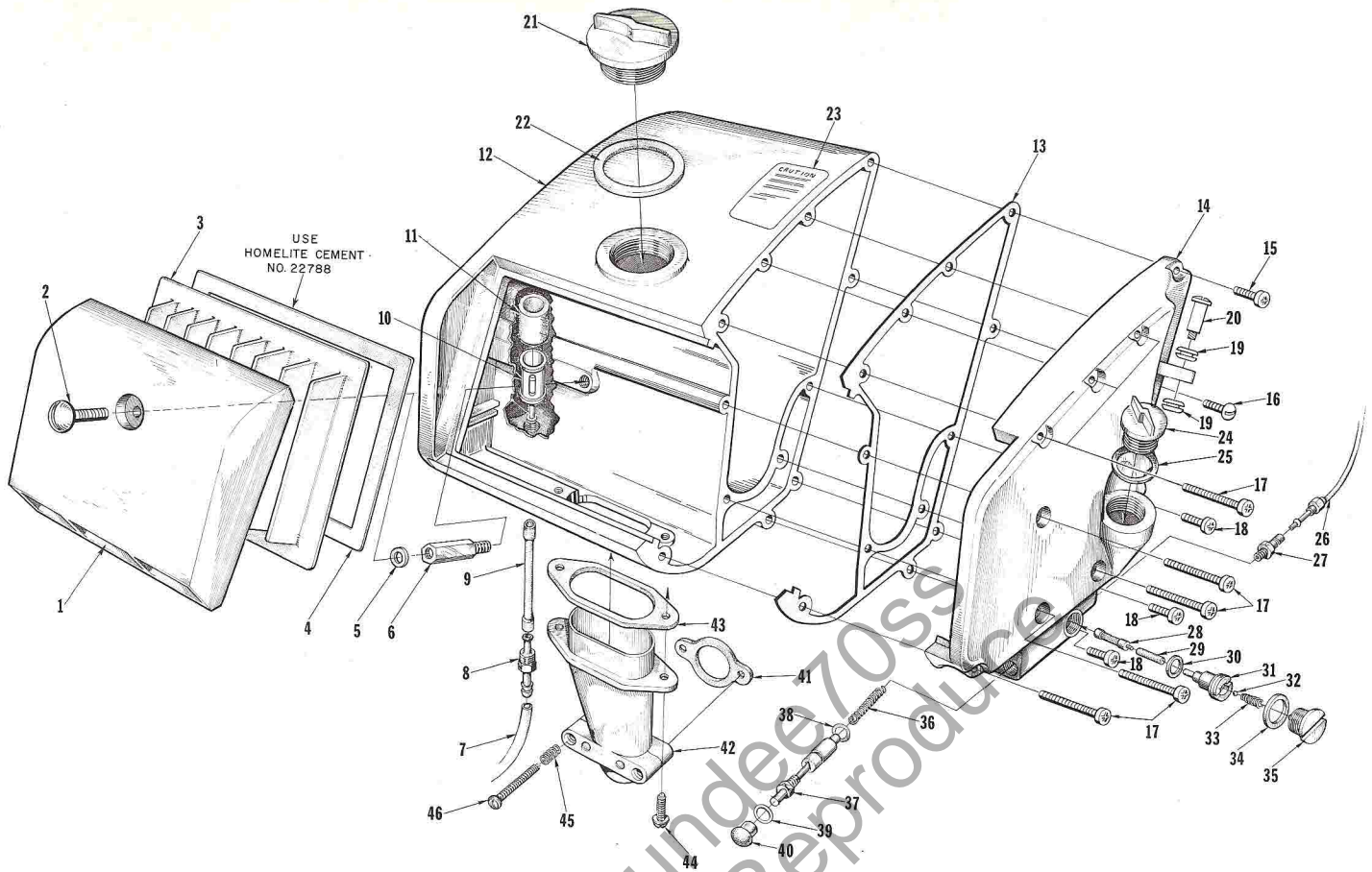


FIGURE 3

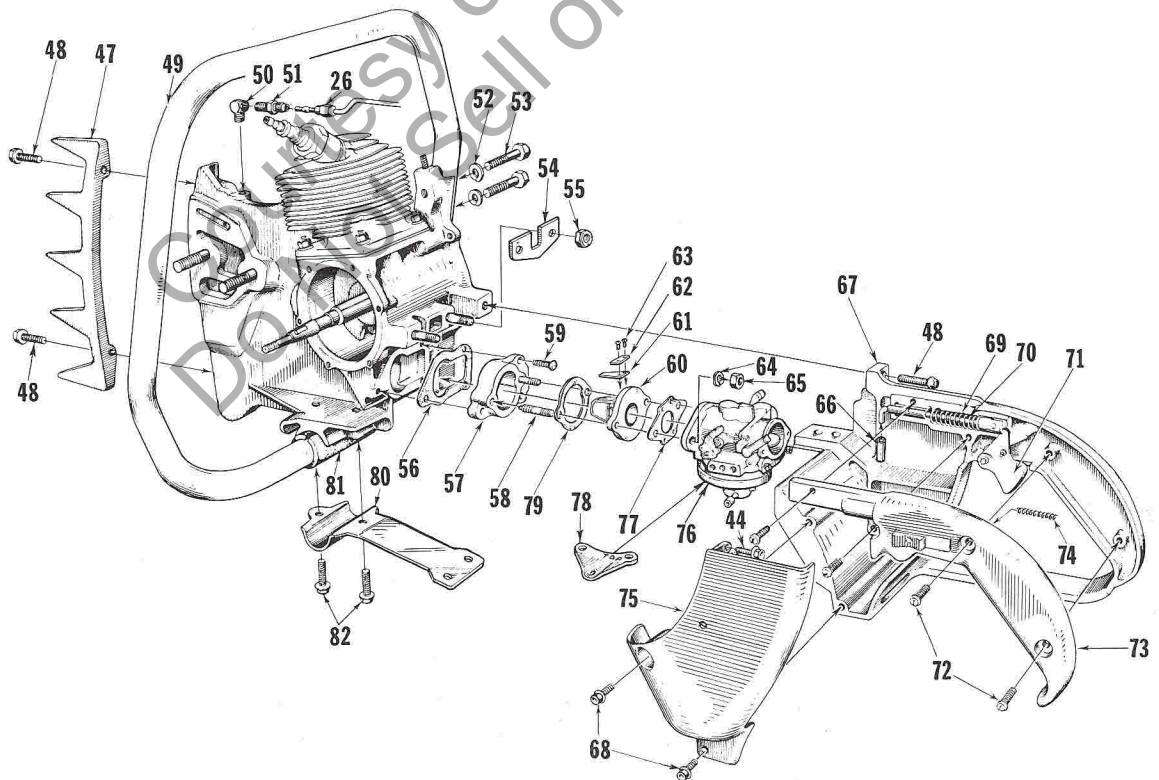


FIGURE 4

ALWAYS FURNISH MODEL AND SERIAL NUMBER WHEN ORDERING PARTS.

# SUPER WIZ 80

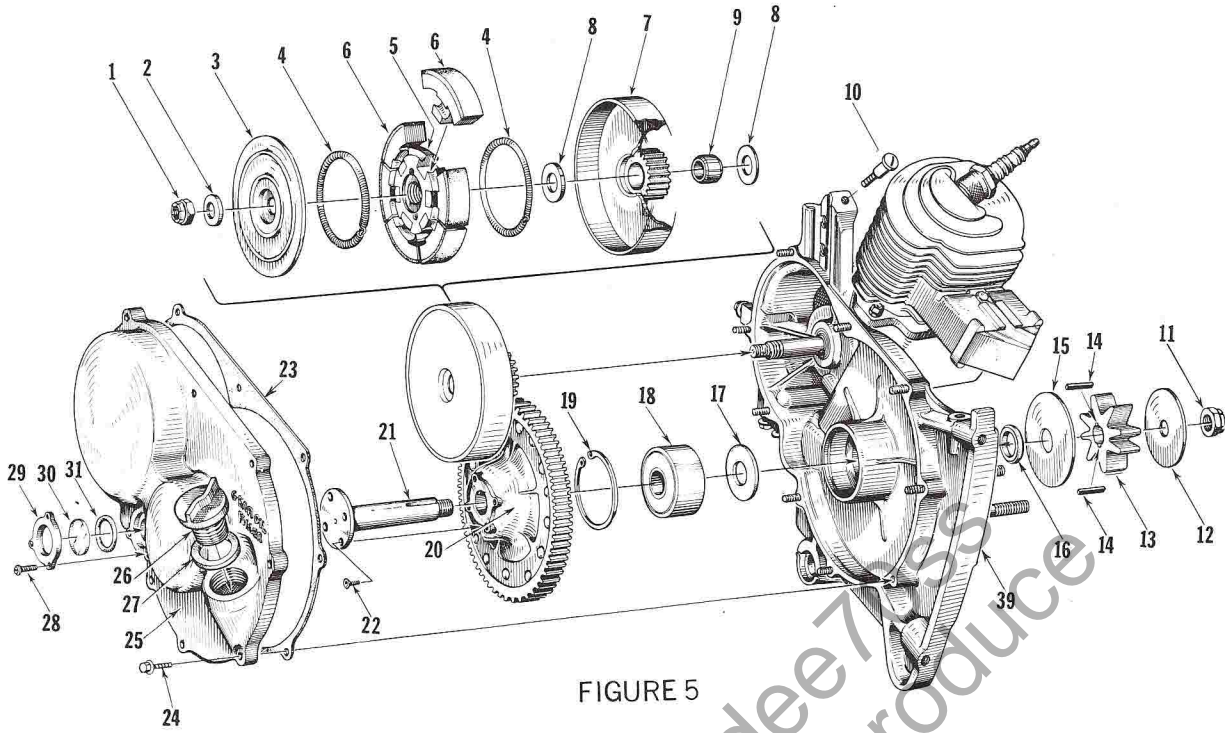


FIGURE 5

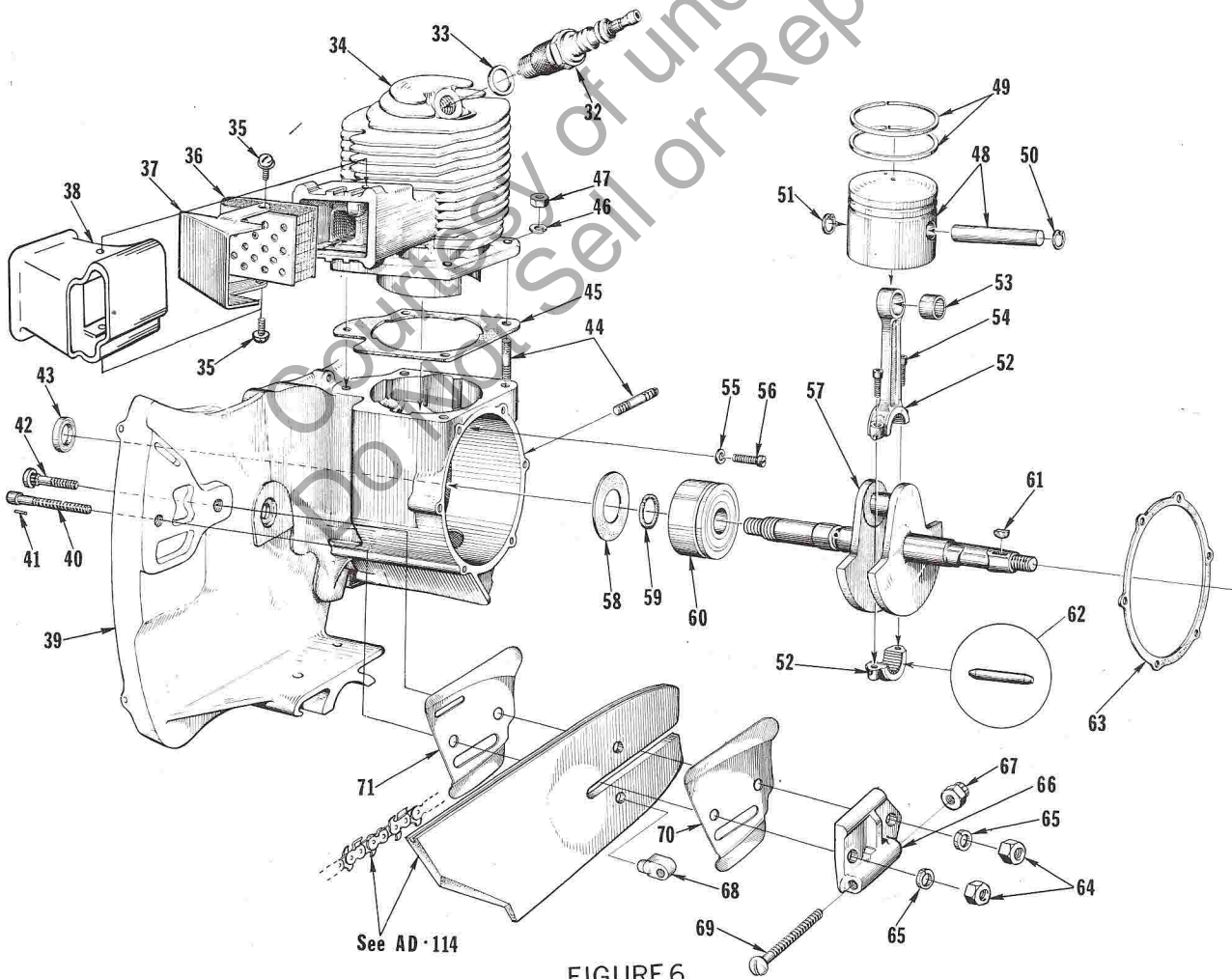


FIGURE 6

See AD-114

# SUPER WIZ 80

No.	Description	Part No.	Qty.	No.	Description	Part No.	Qty.
1	NUT-3/8-24	81192	1	32	SPARK PLUG	65544-S	1
2	WASHER-clutch	55036	1	33	Includes: GASKET	25038	1
3	COVER-clutch	58023	1	34	CYLINDER	A-63522-A	1
4	SPRING-clutch	55123-C	2	*35	SCREW-pan, 10-24 x 1/2	80672	2
5	SPIDER-clutch	58547-2	1	36	MUFFLER	A-56068-A	1
6	SHOE-clutch	A-58028	6	37	CAP-muffler; NOTE 2	56396	1
7	GEAR-drive w/drum			*38	DAMPER-heat	55506-4	1
	standard-3.57:1 ratio, 21 teeth	A-64287	1	39	CRANKCASE	A-64902	1
	optional-2.84:1 ratio, 25 teeth	A-58259	1	40	Includes: BOLT-guide bar	57625	1
	optional-2:1 ratio, 32 teeth	A-58460	1	41	PIN-bolt	41738	1
8	Includes: WASHER-thrust	64282	2	42	BOLT-guide bar	58020-A	1
9	BEARING- drive gear	56133	1	43	SEAL	56134	1
10	SCREW-shoulder	64133-A	1	44	STUD	55871	6
11	NUT-lock, 1/2-20	81101	1	45	GASKET-cylinder	56864	1
12	WASHER-sprocket (outer)	56077	1	46	WASHER-lock, 1/4	83009	4
13	SPROCKET-NOTE 1			47	NUT-1/4-28	81065-2	4
	standard-8 tooth, 1/2" pitch	55593-3	1	48	PISTON & PIN	A-57070-A	1
	optional-7 tooth, 9/16" pitch	74481-1	1	49	Includes: PISTON RING	56291	2
	optional-8 tooth, 7/16" pitch	63264	1	50	RING-retaining	64742	1
	optional-7 tooth, 7/16" pitch	63263	1	51	RING-retaining	55095	1
14	KEY-sprocket	56076-1A	2	52	ROD-connecting	A-58303-A	1
15	WASHER-sprocket (inner)	56074	1	53	Includes: BEARING-needle	59351	1
16	SPACER-sprocket	56071	1	54	SCREW-10-32 x 9/16	58095	2
17	SEAL-sprocket shaft	56072	1	55	WASHER-lock (thin)	83061	2
18	BEARING-ball	56219-S	1	56	SCREW-bearing retaining	19238-A	2
19	RING-retaining	28922	1	57	CRANKSHAFT	A-58892-B	1
20	GEAR-driven			58	GASKET-sealing	55048-A	1
	standard-3.57:1 ratio, 75 teeth	A-56824	1	59	RING-retaining	56109	1
	optional-2.84:1 ratio, 71 teeth	A-56516	1	60	BEARING-main	56097-S	1
	optional-2:1 ratio, 64 teeth	A-56154	1	61	KEY-rotor	75078	1
21	SHAFT-sprocket	56070	1	62	ROLLERS (set of 31)	A-64678	1
22	SCREW-flat, 12-28 x 3/8	80651	4	63	GASKET-back plate	55049	1
23	GASKET-drivecase cover	55053-B	1	64	NUT-3/8-16	81089-2	2
24	SCREW-hex, 12-24 x 3/4	80867	9	65	WASHER-lock, 3/8	83018	2
25	COVER-drivecase	A-55226-C4	1		PLATE-adjusting	A-55591	1
26	Includes: CAP-filler	A-63717-A	1	66	Includes: PLATE	55551-2	1
27	Includes: GASKET	56607	1	67	NUT	81123	1
28	SCREW-6-32 x 3/8	80548	3	68	PIN-adjusting	55552-1	1
29	RING	55098	1	69	SCREW-5/16-18 x 2	80617	1
30	WINDOW	55099	1	70	PLATE-guide bar (outer)	56957-A	1
31	"O" RING	55100	1	71	PLATE-guide bar (inner)	56956	1

\* Denotes new parts

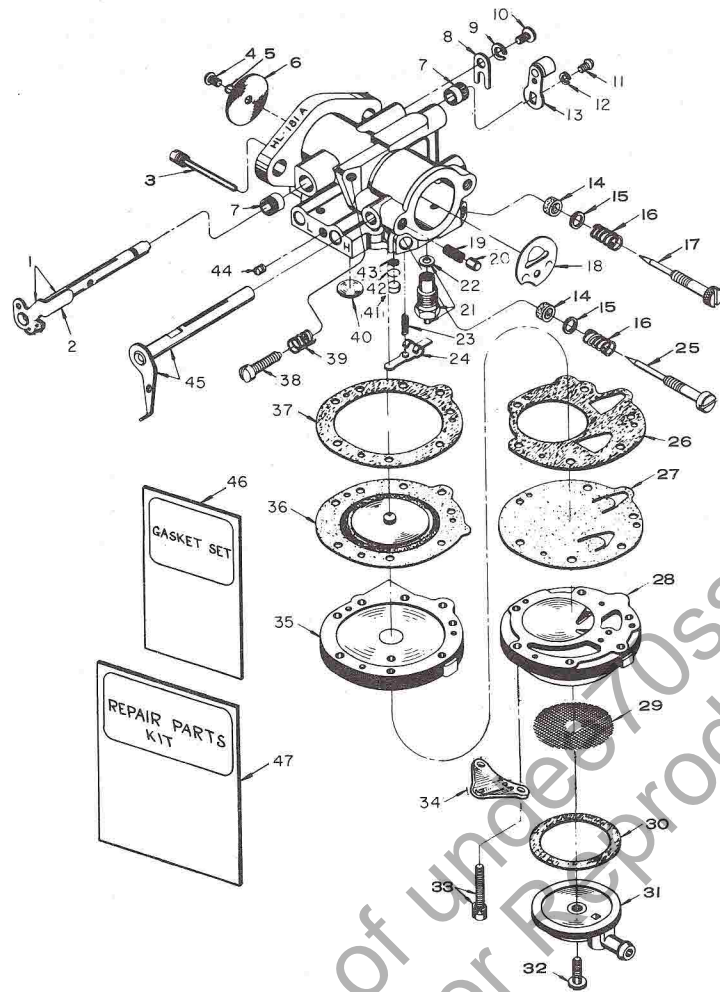
### Accessories

A-55900	HEAT DAMPER KIT
*65808	SPARK ARRESTER
*A-67757	HELPER HANDLE

NOTE 1-Check number of teeth before ordering

NOTE 2-Noise Suppressor A-56558 available from your Homelite dealer, use in place of 56396 Cap.

# SUPER WIZ 80



HL-181A

No.	Description	Part No.	Qty.	No.	Description	Part No.	Qty.
1	THROTTLE SHAFT & LEVER	A-75624-A	1	25	SCREW-idle adjustment	†56627	1
2	Includes: LEVER-throttle stop	77247-1A	1	26	GASKET-fuel pump	58529	1
3	PIN-fulcrum	†A-55762	1	27	DIAPHRAGM-fuel pump	†57729	1
4	SCREW-rd, 6-32 x 1/4	†80465	1	28	BODY-fuel pump	55748	1
5	WASHER-lock, # 6	†83024	1	29	SCREEN-strainer	†55752	1
6	SHUTTER-throttle	75532	1	30	GASKET-strainer	55751	1
7	BUSHING	72812	2	31	COVER-strainer	55750	1
8	CLIP-throttle shaft	73086	1	32	SCREW-strainer cover	†55756	1
9	WASHER-lock, # 8	83000-1	1	33	SCREW-fil, 6-32 x 13/16, w/lockwasher	55316	6
10	SCREW-flat, 8-32 x 5/16	73088	1	34	BRACKET-spring	63048	1
11	SCREW-rd, 4-36 x 1/4	†80006-1	1	35	COVER-diaphragm	57923	1
12	WASHER-lock, # 4	†83008-1	1	36	DIAPHRAGM-main	†57829	1
13	LEVER -throttle w/roller	A-75528-1	1	37	GASKET-diaphragm cover	57824	1
14	PACKING-adjusting screw	75733	2	38	SCREW-idle stop	71509	1
15	WASHER-adjusting screw	75735	2	39	SPRING-idle stop screw	28064	1
16	SPRING-adjusting screw	†73075	2	40	WELCH PLUG-3/8"	†30818	1
17	SCREW-main adjustment	†58021	1	41	PLUG-channel	†57820	1
18	SHUTTER-choke	57827	1	42	RING-retaining	57819	1
19	SPRING	73264	1	43	SCREEN	57818	1
20	PLUNGER	71494	1	44	SCREW PLUG-8-32	73067	2
21	INLET NEEDLE & SEAT	†A-57728	1	45	CHOKE SHAFT & LEVER	A-75740	1
22	Includes: GASKET	55344	1	46	GASKET SET	†57919	1
23	SPRING-inlet control lever	†55759	1	47	REPAIR PARTS KIT	57987	1
24	LEVER-inlet control	†55747	1		GASKET & DIAPHRAGM SET	63590	1

† Included in Repair Parts Kit



# SUPER WIZ 80

Part No.	Description	Qty.	Part No.	Description	Qty.	Part No.	Description	Qty.	Part No.	Description	Qty.
19238-A	Screw	2	A-55762	Pin	1	A-57738	Lead-gnd.	1	67749	Gasket	1
22126	Wrench	1	55805	Line-fuel	1	57744	Box-bkr.	1	*67906	Ring	1
A-22560	Remover	1	55871	Stud	6	57749	Screw Group	1	*A-68108-1	Shield-cyl.	1
22726	Pliers	1	55879	Plate-on-off	1	57750	Screw Group	1	71494	Plunger	1
22772	Paint-black	1	55898	Rope	1	57818	Screen	1	71509	Screw	1
A-22808	Wrench	1	A-55900	Damper Kit	1	57819	Ring	1	72812	Bushing	2
22812-1	Plate	1	55932-7	Seat	1	57820	Plug	1	72970	Spring	1
22820-1	Collar	1	55933-1	Spacer	1	57824	Gasket	1	72971-2	Gasket	1
22828	Pliers	1	55937	Grip	1	57827	Shutter	1	73067	Screw Plug	2
23136-2	Body	1	55941-1	Reed	4	57829	Diaphragm	1	73075	Spring	2
A-23137	JackscREW	1	55942	Clamp	4	A-57834-10	Plunger	1	73086	Clip	1
23228	Plug	1	55945	Stud	2	57919	Gasket Set	1	73088	Screw	1
23232	Sleeve	1	55946	Gasket	1	57923	Cover	1	73264	Spring	1
23233	Plug	1	A-55954	Rod-throttle	1	57987	Repair Kit	1	73730	Stud	1
23234	Plug	1	A-55958-4	Valve-reed	1	57991	Gasket	1	74388	"O" Ring	1
23267	Anvil	1	55962	Clamp	1	57993	Gasket	1	74481-1	Sprocket	1
23391-1	Plug	1	55978-2	Gasket	1	57994	Screw	1	75078	Key	1
23475	Paint-red	1	55979	Cover	1	57996	Stud	1	A-75528-1	Lever	1
A-23696A	Remover	1	55980	Clip	1	58020-A	Bolt	1	75532	Shutter	1
23710	Spanner	1	55982	Nut	1	58021	Screw	1	A-75624-A	Shaft & Lever	1
23742	Decal	1	55983	Washer	1	58023	Cover	1	75733	Packing	2
A-23809	Plug	1	55984	Wick	1	A-58028	Shoe	6	75735	Washer	2
25038	Gasket	1	55986-A	Coil	1	58036	Filter	1	A-75740	Shaft & Lever	1
25527	Ball	1	55987	Condenser	1	58095	Screw	2	76436	Washer	1
28064	Spring	1	A-56068-A	Muffler	1	A-58102	Carburetor	1	77247-1A	Lever	1
28922	Ring	1	56070	Shaft-spkt.	1	A-58165	Points	1	FASTENING PARTS		
30818	Welch Plug	1	56071	Spacer	1	A-58222-3	Governor	1	80006-1	4-36 x 1/4	1
31733-1	Fitting	1	56072	Seal	1	A-58259	Gear-w/drum	1	80087	5/16-18 x 1-1/2	2
31734	Fitting	1	56074	Washer(inner)	1	A-58303-A	Rod-conn.	1	80465	6-32 x 1/4	1
32814	Plug	1	56076-1A	Key-spkt.	2	A-58460	Gear-w/drum	1	80513	6 x 1/2	4
41738	Pin	1	56077	Washer(outer)	1	58517	Insert	1	80548	6-32 x 3/8	3
55036	Washer	1	56097-S	Bearing	1	58529	Gasket	1	80560	8-32 x 1/2	4
55045-A	Spring	1	56109	Ring	1	58547-2	Spider	1	80573	1/4-20 x 13/16	6
55048-A	Gasket	1	56133	Bearing	1	58549-A	Brace	1	80575	8-32 x 1/4	3
55049	Gasket	1	56134	Seal	1	A-58892-B	Crankshaft	1	80581	1/4-20 x 5/8	4
55053-B	Gasket	1	A-56154	Gear	1	58970	Washer	2	80583	10-32 x 3/4	3
55095	Ring	1	56219-S	Bearing	1	59000	Line-oil	1	80595	10-24 x 1/2	1
55098	Ring	1	56281	Cushion	1	59022	Spring	1	80598	6-32 x 5/16	2
55099	Window	1	56282-A	Clamp	1	59074	"O" Ring	1	80617	5/16-18 x 2	1
55100	"O" Ring	1	56291	Piston Ring	2	A-59251	Filter	1	80651	12-28 x 3/8	4
55103-1	Bumper	1	56292-A	Seal	1	59258-1	Filter-felt	1	80658	4-40 x 3/16	8
55104-9	Shield-carb.	1	56396	Cap-muffler	1	59293	Spring	1	80660	10-24 x 7/8	2
55107	Gasket	1	56441-1	Cup-starter	1	59347	Strap	1	*80672	10-24 x 1/2	2
55110	Gasket	1	56442	Screen-air	1	59348	Washer	1	80676	12-24 x 5/8	4
55116	Gasket	1	A-56450-2A	Cover	1	59351	Bearing	1	80681	1/4-20 x 1/2	4
55123-C	Spring	2	56451-1	Spring	1	A-59449	Filter-oil	1	80751	12-24 x 11/16	2
55146	Cushion	1	56452	Pulley	1	59450	Seat	1	80821	12-24 x 1/2	4
55161	Clamp	1	56455	Spring	1	A-59456-A	Valve	1	80825	10-32 x 9/16	8
A-55167	Cap	1	A-56516	Gear	1	60929	Grommet	1	80837	12-24 x 3/8	2
A-55191	Line-oil	1	56531-6	Ring	1	63024	Sleeve	1	80841	10-32 x 1-3/16	2
A-55207	Trigger	1	A-56540-6	Starter Assy'	1	63031	Spring	2	80867	12-24 x 3/4	9
A55226C4	Cover	1	A-56558	Suppressor	1	A-63046	Rod-governor	1	80869-1	10-24 x 3/8	1
A-55228	Cover-handle	1	56607	Gasket	1	63047	Spring	1	80899	12-24 x 9/16	2
55235-A	Lead-tension	1	56627	Screw	1	63048	Bracket	1	81013-1	Nut-1/4-20	2
A-55282	Lock	1	A-56824	Gear	1	63148-1	Bracket	1	81065-2	Nut-1/4-28	4
55290	Sleeve	1	56864	Gasket	1	A-63178	Handle-throttle	1	81089-2	Nut-3/8-16	2
55291-B	Oil	1	56956	Plate-(inner)	1	A-63179	Plate-back	1	81101	Nut-1/2-20	1
55316	Screw	6	56957-A	Plate-(outer)	1	63263	Sprocket	1	81108	Nut-1/4-20	1
55344	Gasket	1	A-57070-A	Piston & Pin	1	63264	Sprocket	1	81110	Nut-7/16-20	1
55372	Pad-felt	1	57289-1	Button	1	A-63522-A	Cylinder	1	81114	Nut-1/4-28	3
A-55373A	Terminal	1	57533	Bearing	1	63590	Gasket & Dia.	1	81163	Nut	1
55506-4	Damper	1	A-57542-5	Housing-fan	1	A-63717-A	Cap-oil	1	81192	Nut-3/8-24	1
55551-2	Plate	1	57579-A	Rotor	1	64133-A	Screw	1	82146	8-32 x 5/8	3
55552-1	Pin-adj.	1	57595-3A	Cover	1	A-64140-1	Cap-fuel	1	82156	8-32 x 3/4	1
55553-3	Gasket	1	57618-4	Elbow	1	64144	Decal	1	82177	8-32 x 5/8	1
A-55591	Plate-adj.	1	57625	Bolt	1	64282	Washer	2	82187	8-32 x 1-7/16	7
55593-3	Sprocket	1	A-57647	Shoe	1	A-64287	Gear & Drum Kit	1	83000-1	Washer # 8	1
55680	Line-fuel	1	57652	Fitting-fuel	1	64473	Grommet	2	83003	Washer-5/16	2
55747	Lever	1	57659	Gasket	1	A-64678	Rollers	1	83008-1	Washer-# 4	1
55748	Body	1	A-57671	Handle Bar	1	64742	Ring	1	83009	Washer-1/4	6
55750	Cover	1	*A-57673-2	Handle Bar	1	A-64901	Kit-bracket	1	83018	Washer-3/8	2
55751	Gasket	1	A-57696-A	Cover	1	A-64902	Crankcase	1	83019	Washer-7/16	1
55752	Screen	1	A-57716	Switch	1	A-65324-A	Tank-fuel	1	83024	Washer-# 6	1
55756	Screw	1	A-57728	Needle & Seat	1	65358	Gasket	1	83046	Washer-# 10	3
55759	Spring	1	57729	Diaphragm	1	65544	Spark Plug	1	83061	Washer	2
			57733	Tab-lead	1	65808	Spark Arrester	1	84055	Washer-7/16	1

\* Denotes new parts

ALWAYS FURNISH MODEL AND SERIAL NUMBER WHEN ORDERING PARTS.

Courtesy of undee70ss  
Do Not Sell or Reproduce

Part No. 24438



A Textron  
DIVISION  
PORT CHESTER, N.Y. U.S.A.

Printed in U. S. A.  
270