

HOMELITE®

SUPER EZ

AUTOMATIC

AND

SUPER XL MINI

AUTOMATIC

**CHAIN
SAWS**

Leon's Chainsaw Parts & Repair
Do Not Sell or Reproduce

HOMELITE®

A textron
DIVISION

Super EZ Automatic & Super XL Mini Automatic

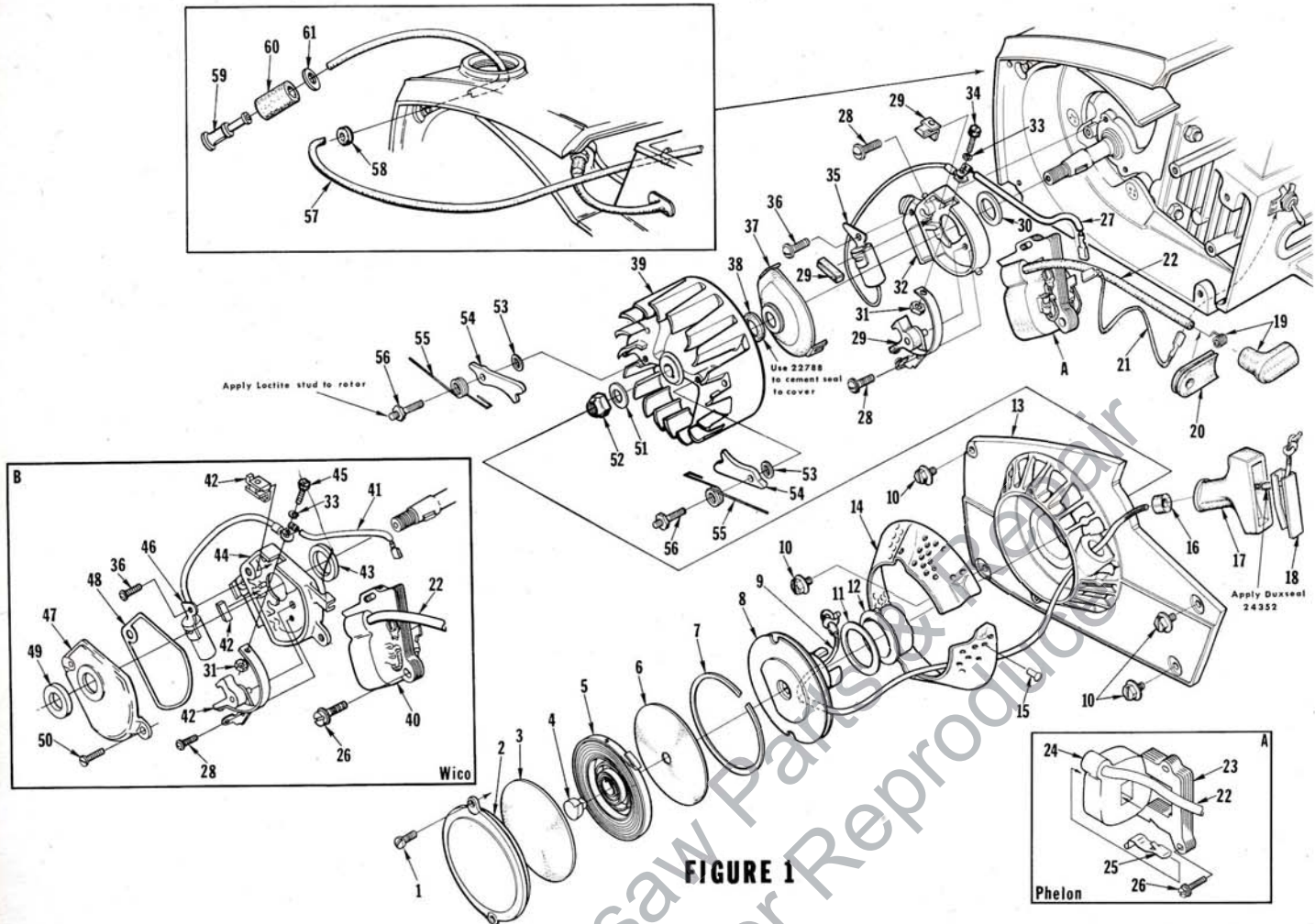


FIGURE 1

No.	Description	Part No.	Qty.	No.	Description	Part No.	Qty.
1	SCREW-pan, 8-32 x 3/8	80577	2	34	SCREW-hex, 6-32 x 7/16	(P) 67628	1
2	COVER-starter	65095-2	1	35	CONDENSER	(P) 65286	1
3	SHIELD-spring (inner)	65113	1	36	SCREW-pan, 6-32 x 1/2	80630	1
4	LOCK-spring	65102	1	37	COVER-breaker box	(P) A-65210-A	1
5	SPRING-rewind	65107	1	38	Includes: SEAL-felt	(P) 65211	1
6	SHIELD-spring (outer)	65114	1	39	ROTOR-magneto	(P) 65288	1
7	RING-retaining	65125	1		ROTOR-magneto	(W) 68701	1
8	PULLEY & CUP	A-65170	1	40	COIL & CORE	(W) 68716	1
9	ROPE-starter, 46 inches	65118	1	41	LEAD GROUP-primary	(W) 68712	1
10	SCREW-hex, 10-32 x 5/8	80704	4	42	POINTS-breaker	(W) A-68710	1
11	SHIELD-pulley	67893	1		Includes:		
12	BUSHING-starter cup	65116	1	43	SEAL-felt	(W) 68705	1
13	HOUSING-rewind starter	A-65222-1	1		WASHER-thrust (not shown)	(W) 28028 as req'd	
	Includes:				LOCK-breaker arm (not shown)	(W) 28008	1
14	SCREEN-air inlet	65189	1	44	BOX-breaker	(W) 68708	1
15	STUD-drive #2	67191	3	45	SCREW-hex, 6-32 x 1/2	(W) 68700	1
16	BUSHING-starter rope	65185	1	46	CONDENSER	(W) 68711	1
17	GRIP-starter rope	65183	1	47	COVER-breaker box	(W) A-68704	1
18	INSERT-rope retaining	68837	1		Includes:		
19	TERMINAL-spark plug	A-65198	1	48	GASKET-breaker box cover	(W) 68774	1
20	GROMMET-hi-tension lead	65135	1	49	SEAL-felt	(W) 68773	1
21	LEAD-ground	A-63939	1	50	SCREW-cover mounting	(W) 68715	2
22	LEAD-hi-tension	65205	1	51	WASHER-flat, 5/16	84065-1	1
23	CORE-coil	(P) 68255	1	52	NUT-hex, 5/16-24	81112	1
24	COIL-ignition	(P) 68256	1	53	WASHER-starter pawl	65110	2
25	RETAINER-coil	(P) 68257	1	54	PAWL-starter	65108	2
26	SCREW-coil core	64021	2	55	SPRING-starter pawl	65120	2
27	LEAD GROUP-primary	(P) 65291	1	56	STUD-starter pawl	65109	2
28	SCREW-pan, 6-32 x 3/8	80571	2	57	LINE-fuel	A-68053	1
29	POINTS-breaker	(P) A-65203-A	1		Includes: GROMMET	68046	1
30	Includes: SEAL-felt	(P) 65209	1	59	FILTER-fuel	A-63920	1
31	NUT-hex	65207	1	60	Includes: FILTER-felt	64083-1	1
32	BOX-breaker	(P) 65206-A	1	61	WASHER	64182	1
33	WASHER-lock #6	83004-1	1				

Complete magneto must be either Wico or Phelon. Phelon and Wico parts are not individually interchangeable.

(P) Phelon parts (A)
(W) Wico parts (B)

ALWAYS FURNISH MODEL AND SERIAL NUMBER WHEN ORDERING PARTS.

Super EZ Automatic & Super XL Mini Automatic

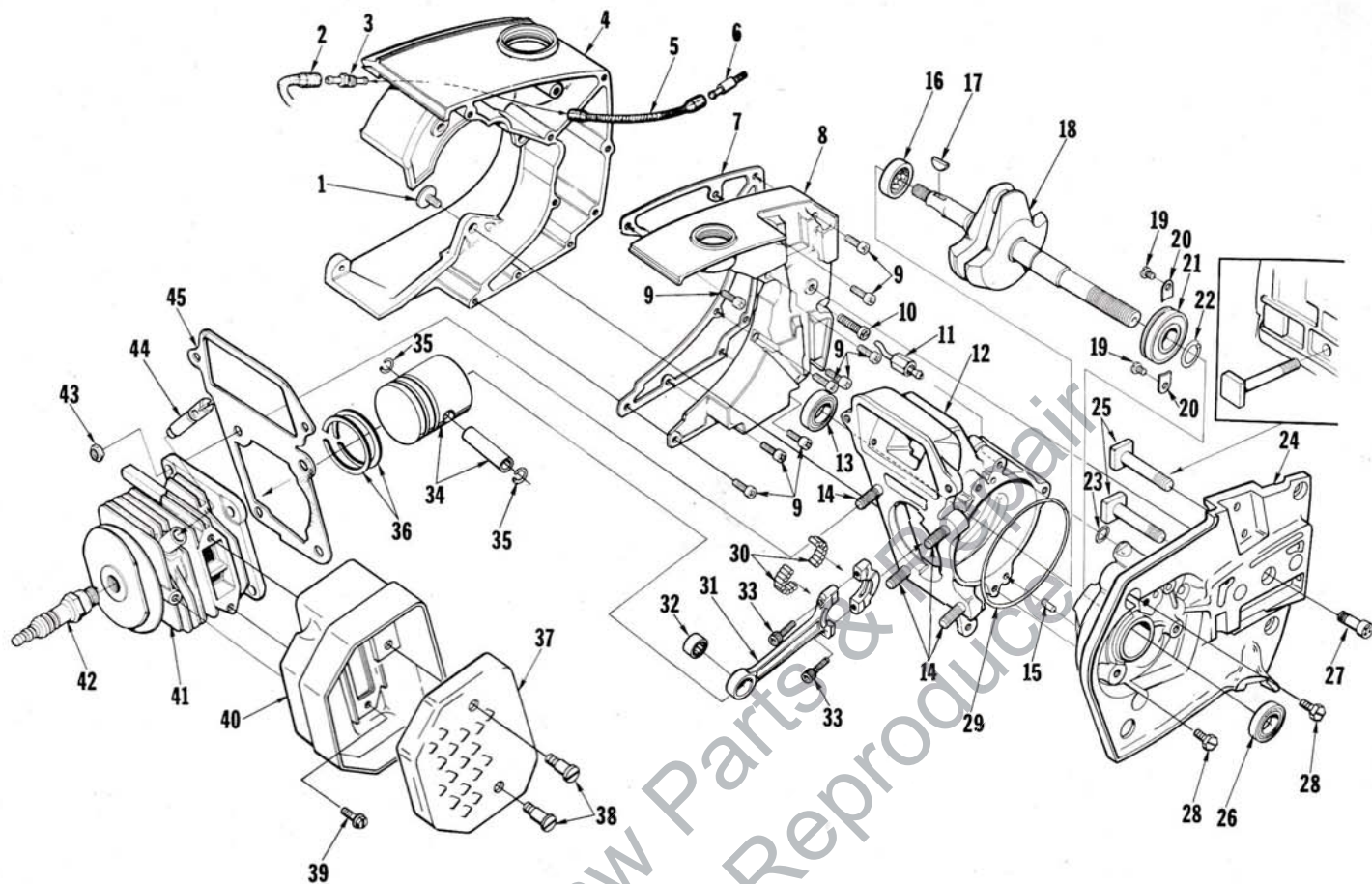


FIGURE 2

No.	Description	Part No.	Qty.	No.	Description	Part No.	Qty.
1	SCREW-retaining	65321	3	27	SCREW-fil, drivecase retainer	65157	1
2	LINE-oil	65137	1	28	SCREW-hex, 12-24 x 5/8	80676	3
3	FITTING-oil line	65138	1	29	"O" RING	65127	1
4	TANK-fuel and oil	65037-2	1	30	BEARING-needle (set of 28)	A-67971	1
5	LINE-oil (pickup)	58340-B	1	31	ROD-connecting	A-68051	1
6	FILTER-oil	A-65172	1		Includes:		
7	GASKET-fuel and oil tank	65046	1	32	BEARING-needle	68512	1
8	COVER-fuel and oil tank	65115-2	1	33	SCREW-socket, 8-32 x 9/16	80805	2
9	SCREW-fil, 8-32 x 5/8	82146	9	34	PISTON & PIN	A-68487	1
10	SCREW-fil, 8-32 x 1-7/16	82187	1		Includes:		
11	LINE-oil	A-65214	1	35	RING-piston pin retaining	64813	2
12	CRANKCASE	A-65202	1	36	PISTON RING	68508	2
13	Includes: SEAL	65019	1		MUFFLER- See note	A-68254	1
14	STUD-cylinder	55871	4		Includes:		
15	PIN-dowel	65153	1	37	CAP-muffler	68253-1	1
16	BEARING-roller	65179	1	38	SCREW-shoulder	64133-A	2
17	KEY-woodruff	65126	1	39	SCREW-hex, 10-32 x 3/8	80870	3
18	CRANKSHAFT	65006-2	1	40	BODY-muffler	A-65152-2	1
19	SCREW-bearing retaining	59704	2	41	CYLINDER-(1-9/16 dia)	A-67874-1	1
20	WASHER-lock special	63905	2	42	SPARK PLUG	65130-S	1
21	BEARING-ball	65044-S	1	43	NUT-hex, 1/4-28	81065-2	4
22	RING-retaining	65045	1	44	VALVE-compression release	A-65184	1
23	"O" RING	59074	1	45	GASKET-cylinder	65018	1
24	DRIVECASE	A-65200	1				
25	Includes: BOLT-guide bar	65025	2				
26	SEAL	65019	1				

Note - For units with Baffle Type Muffler the following are still available: STOP - 67413-1A, STUDS - 68103-1, BAFFLE - 67736, REED - 67394, and NUTS - 81109-2.

Super EZ Automatic & Super XL Mini Automatic

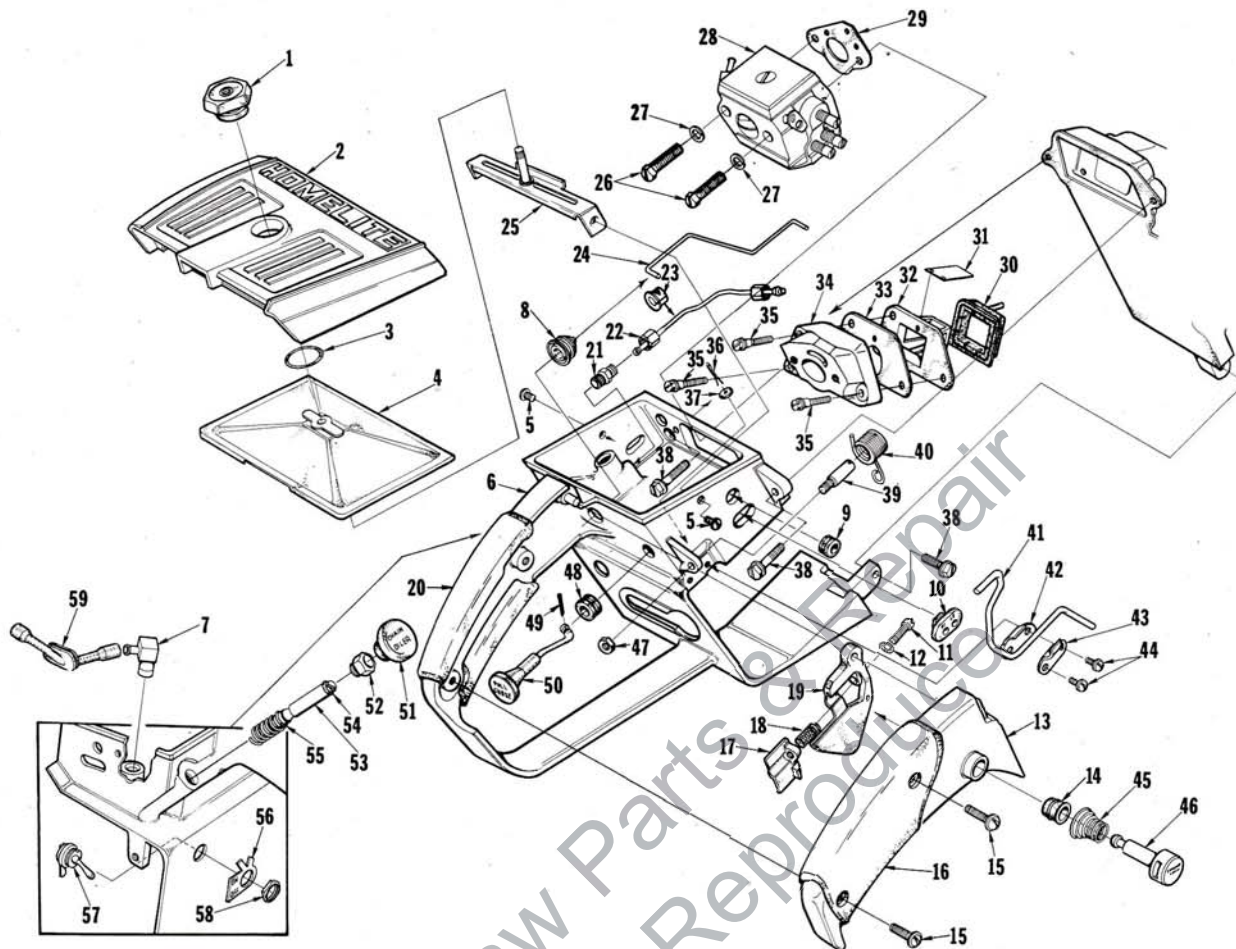


FIGURE 3

No.	Description	Part No.	Qty.	No.	Description	Part No.	Qty.
1	NUT-cover mounting	A-65272	1	29	GASKET-carburetor	65016	1
2	COVER-air filter	65096-5	1	30	RETAINER-reed valve	65011-A	1
3	RING-retaining	58319-A	1	31	REED-valve	65012-A	4
4	FILTER ELEMENT-air	A-65178	1	32	SEAT-reed valve	65010	1
5	SCREW-pan hd., 8-32 x 3/8	80577	2	33	GASKET-reed valve seat	65014	1
* 6	HANDLE-throttle	A-68267	1	34	MANIFOLD-intake	A-65154-1A	1
	Includes:			35	SCREW-shoulder	64349-A	3
7	VALVE-check	A-65076	1	36	PIN-cotter (1/16 x 1/2)	86301	1
8	BOOT-throttle rod	67634	1	37	WASHER-felt	63290	1
9	GROMMET-idle adjusting	68197	1	38	SCREW-hex, 10-24 x 5/8	80676	3
10	GROMMET-"Hi-Lo"	68196	1	39	POST-spring	65023	1
	LINE-fuel (not shown)	A-68053	1	40	SPRING-release valve	65174	1
	Includes: GROMMET (not shown)	68046	1	41	LEVER-release	65173	1
11	SCREW-pan, 6-40 x 1	82198	1	42	PLATE-lever	65092	1
12	"O" RING	65260	1	43	CLAMP-lever	65093	1
*13	COVER-throttle handle	65042-5	1	44	SCREW-pan, 6-32 x 3/8	80571	2
14	BUSHING	67752	1	45	SPRING-throttle latch	64677	1
15	SCREW-pan, 8-32 x 1/2	80560	2	46	PIN-throttle latch	65171-A	1
*16	GRIP-throttle handle cover	68759	1	47	NUT-hex, #6 - 32	81126	1
17	STOP-throttle adjustment	65147-A	1	48	GROMMET-choke	64862	1
18	SPRING-throttle stop	65188	1	49	PIN-cotter (1/32 x 1/2)	86324	1
*19	TRIGGER-throttle	65031-1	1	50	ROD-choke	65072-1	1
*20	GRIP-throttle handle	68770	1	51	BUTTON-oil pump	65084	1
21	VALVE-check (outlet)	A-65077	1	52	NUT-plunger	65082	1
22	LINE-oil	A-65214	1	53	PLUNGER-oil pump	A-68061-A	1
23	GROMMET-oil line	65085	1	54	Includes: "O" RING	59074	1
24	ROD-throttle	65056	1	55	"O" RING	58406	1
25	BRACKET-air filter cover	A-65123	1	56	PLATE-"On - Off"	63910	1
26	SCREW-hex, 10-32 x 1-5/8	82165	2	57	SWITCH-grounding	A-63938	1
27	WASHER-lock, #10	83046	2	58	Includes: NUT-hex	72084-A1	1
28	CARBURETOR-(HDC-4)	A-68415	1	59	LINE-oil	65137	1

* Denotes new parts

ALWAYS FURNISH MODEL AND SERIAL NUMBER WHEN ORDERING PARTS.

Super EZ Automatic & Super XL Mini Automatic

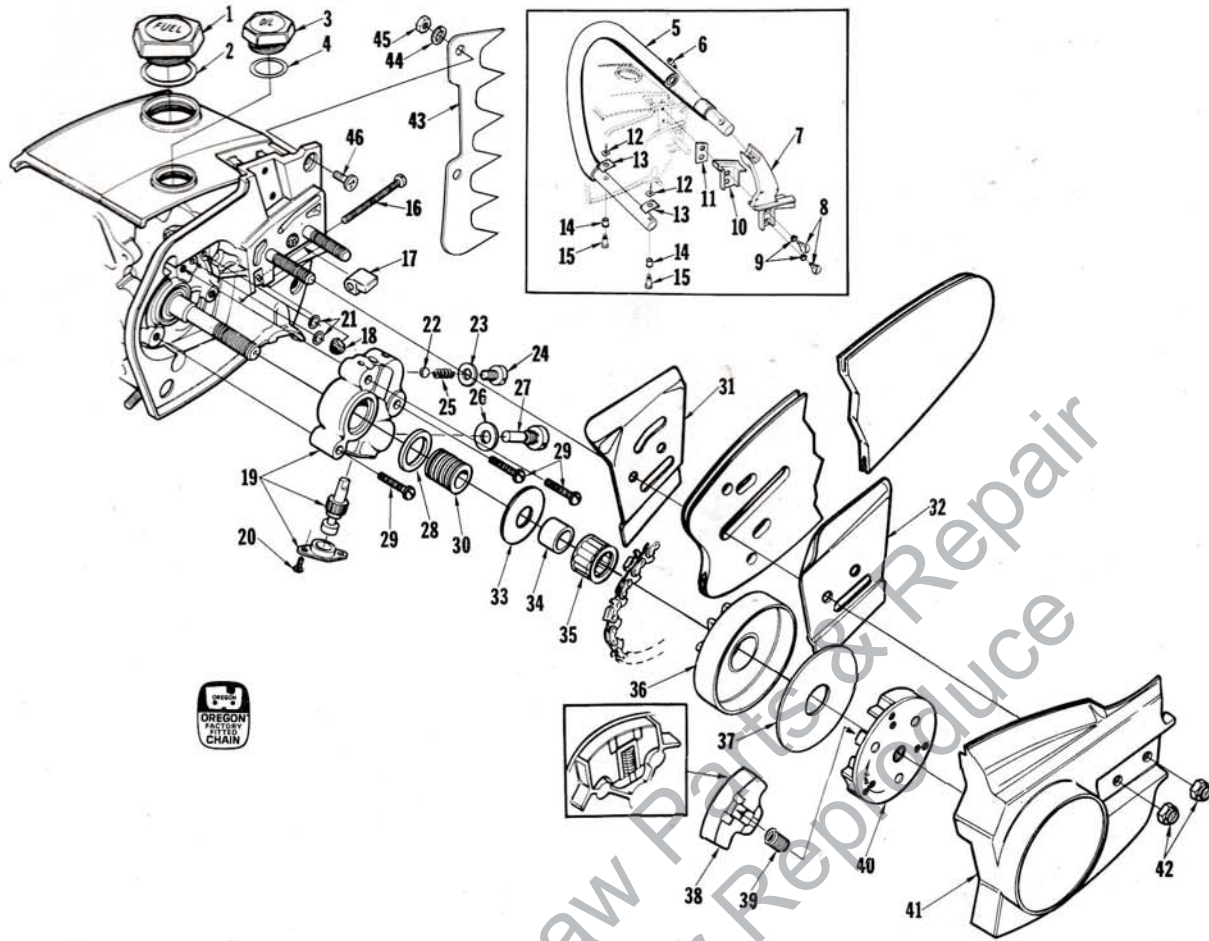


FIGURE 4

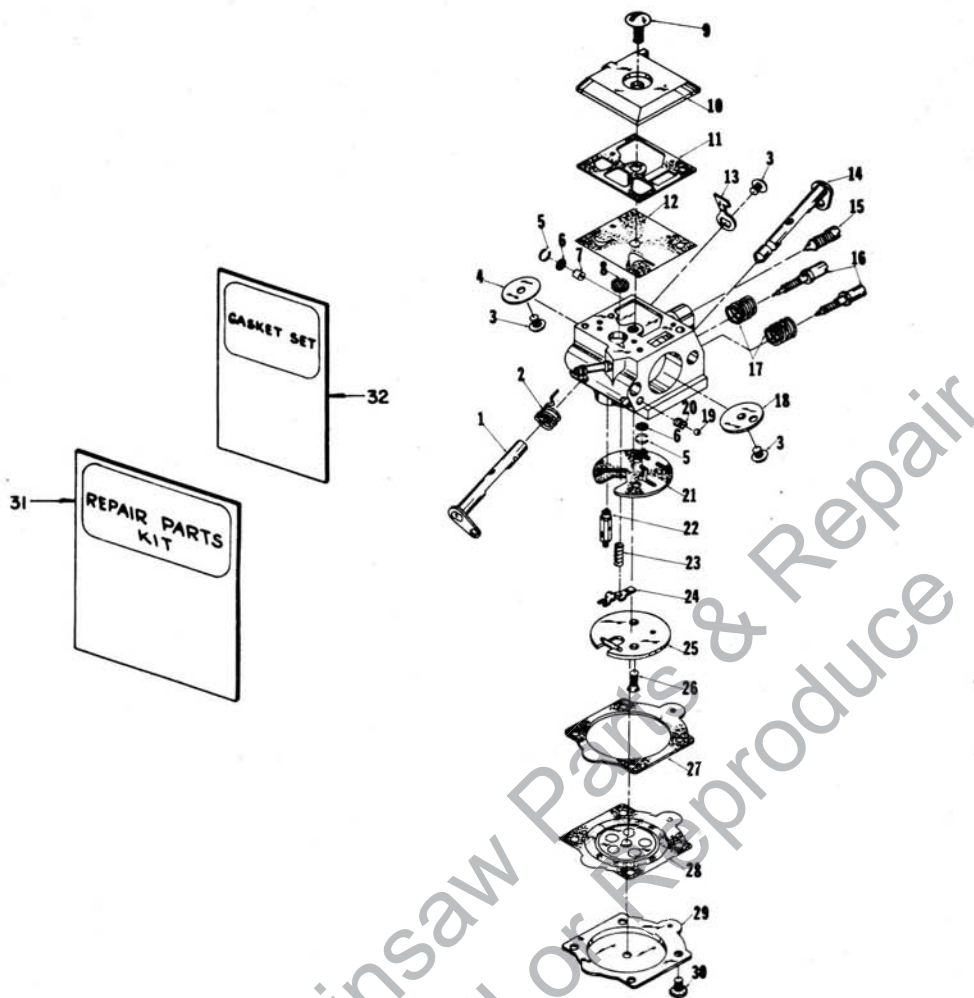
No.	Description	Part No.	Qty.	No.	Description	Part No.	Qty.
1	CAP-fuel filler Includes: VALVE-check (not shown)	A-65283-A	1	22	BALL	65225	1
2	GASKET-cap fuel filler	58957	1	23	GASKET-check valve	65144	1
3	CAP-oil filler (vented) Includes: VALVE-check (not shown)	A-65284-A	1	24	CAP-check valve	A-68207	1
4	"O" RING	65133	1	25	Includes: SPRING-check valve	65017	1
* 5	HANDLE BAR-flush cut	A-68736-1	1	26	GASKET	65145	1
	HANDLE BAR-full wrap-around	A-68469-2	1	27	SCREW-cam	65136	1
6	SCREW-socket, 10-32 x 7/8	82169	1	28	SEAL	65142	1
* 7	BRACKET-handle bar	68734-2	1	29	SCREW-pan, 8-32 x 3/4	80567	3
8	SCREW-shoulder	64613-A	2	30	WORM-oil pump	65047-A	1
9	GROMMET-handle bar	64473	2	31	PLATE-guide bar (inner)	63638-B	1
10	MOUNT-shock	65111	1	32	PLATE-guide bar (outer)	63639-A	1
11	PLATE-handle bar bracket	65032	1	33	WASHER-thrust (outer)	65064	1
12	PLATE-handle bar	65670	2	34	RACE-inner	65746	1
13	PAD-rubber	65124	2	35	BEARING-needle	64124	1
14	GROMMET	65122	2	36	SPROCKET & DRUM	A-65033	1
15	SCREW-shoulder	65121	2	37	WASHER-thrust (inner)	65024-1	1
16	SCREW-guide bar adjusting	65175-A	1	38	SHOE-clutch	65892	3
17	PIN-bar adjusting	65112-1	1	39	SPRING-clutch	65217	3
18	NUT-flexlock, 10-32	81109-2	1	40	PLATE-clutch (aluminum)	65146-1	1
19	PUMP-automatic oil Includes:	A-65212	1		PLATE-clutch (steel)	† 67855-1	1
20	SCREW-pan, 4-40 x 1/4	80919	2	41	COVER-drivecase	65131-1	1
21	"O" RING	59074	2	42	NUT-hex, 5/16-18	81196	2
				43	KIT-spiked bumper Includes:	† A-65181	1
				44	WASHER-lock, #10	† 83006-1	2
				45	NUT-hex, 10-32	† 81010-1	2
				46	SCREW-flat, 10-32 x 5/8	† 80035	2

* Denotes new parts

† Optional

ALWAYS FURNISH MODEL AND SERIAL NUMBER WHEN ORDERING PARTS.

Super EZ Automatic & Super XL Mini Automatic



A - 68415

HDC - 4

No.	Description	Part No.	Qty.	No.	Description	Part No.	Qty.
1	SHAFT-throttle	67362	1	18	VALVE-choke	67365	1
† 2	SPRING-throttle return	67376	1	† 19	BALL-choke friction	60051	1
† 3	SCREW-valve	67372	3	† 20	SPRING-choke friction	64238	1
4	VALVE-throttle	67363	1	‡ 21	GASKET-circuit	67367	1
† 5	RING-screen retaining	67360	2	† 22	VALVE-inlet needle	64229	1
† 6	SCREEN-check valve	67381	2	† 23	SPRING-metering lever	67378	1
7	JET-limiting	68461	1	† 24	LEVER-metering	67383	1
† 8	SCREEN-fuel inlet	64243	1	25	PLATE-circuit	67382	1
9	SCREW-fuel pump cover	67374	1	26	SCREW-circuit plate	67375	2
10	COVER-fuel pump	67361	1	‡ 27	GASKET-metering diaphragm	64231	1
‡ 11	GASKET-fuel pump	67368	1	† 28	DIAPHRAGM- metering	67371	1
† 12	DIAPHRAGM-fuel pump	67370	1	29	COVER-metering diaphragm	64224	1
13	STOP-throttle	67366	1	30	SCREW-metering cover	64689	4
14	SHAFT-choke	67364	1	31	REPAIR KIT	67384	1
15	SCREW-idle adjustment	67373	1	† 32	GASKET SET	67369	1
† 16	NEEDLE-idle adjustment	67379	2		REPAIR KIT-check valve	65386	1
† 17	SPRING-needle adjusting	67377	2				

† Indicates contents of Repair Kit #67384

‡ Indicates contents of Gasket Set

Super EZ Automatic & Super XL Mini Automatic

Tools

24299	ANVIL-crankshaft installation
24320	BIT-#3 pozidriv
23136-1	BODY-assembling fixture
A-24290	BRACKET-rotor remover
24295	COLLAR-bearing assembling
A-24309	JACKSCREW
24298	PLUG-bearing and seal
23756	PLUG-needle bearing assembly
24292	PLUG-seal removal
24300	SLEEVE-crankshaft bearing
24297	SLEEVE-seal (crankcase)
24291	SLEEVE-seal (drivecase)
A-24060	WRENCH-clutch (spanner)
A-24284	WRENCH-combination

Accessories

24352	COMPOUND-sealing (Duxseal)
A-24276	GUIDE BAR PLATE SET
A-65181	KIT-bumper plate
A-24338	KIT-fasteners
A-24336	KIT-filter
A-67947	KIT-heat exchanger
A-24365-A	KIT-ignition
A-24481	KIT-ignition
*23488-B	KIT-Loctite
A-67050	KIT-repair (Sprocket Nose Bars)
A-24335-A	KIT-starting rope
A-65275	MUFFLER-(baffle type)
*68848	ROPE-starter, 250' reel
A-65256	SPARK ARRESTOR ASSEMBLY

Paint

22772	SPRAY CAN-black
23475	SPRAY CAN-red
23560	SPRAY CAN-white

* Denotes new parts

Super EZ Automatic & Super XL Mini Automatic

Part No.	Description	Qty.	Part No.	Description	Qty.	Part No.	Description	Qty.	Part No.	Description	Qty.
22772	Spray Can-black	1	65023	Post-spring	1	A-65181	Kit-bumper	1	68046	Grommet	1
23136-1	Body	1	65024-1	Washer-inner	1	65183	Grip-starter rope	1	A-68051	Rod-connecting	1
23475	Spray Can-red	1	65025	Bolt-guide bar	2	A-65184	Valve-release	1	A-68053	Line-fuel	1
*23488-B	Kit-Loctite	1	*65031-1	Trigger	1	65185	Bushing	1	A-68061-A	Plunger	1
23560	Spray Can-white	1	65032	Plate	1	65188	Spring-throttle stop	1	68196	Grommet	1
23756	Plug-needle bearing	1	A-65033	Sprocket & Drum	1	65189	Screen-air	1	68197	Grommet	1
A-24060	Wrench-spanner	1	65037-2	Tank-fuel & oil	1	A-65198	Terminal	1	A-68207	Cap-check valve	1
A-24276	Guide Bar Plate Set	1	*65042-5	Cover	1	A-65200	Drivecase	1	68253-1	Cap-muffler	1
A-24284	Wrench	1	65044-S	Bearing-ball	1	A-65202	Crankcase	1	A-68254	Muffler	1
A-24290	Bracket	1	65045	Ring-retaining	1	A-65203-A	Pranks-breaker	1	68255	Core-coil	1
24291	Sleeve-seal	1	65046	Gasket-tank	1	65205	Lead-hi tension	1	68256	Coil-ignition	1
24292	Plug-seal	1	65047-A	Worm-oil pump	1	65206-A	Box-breaker	1	68257	Retainer-coil	1
24295	Collar-bearing	1	65056	Rod-throttle	1	65207	Nut-hex	1	*A-68267	Handle-throttle	1
24297	Sleeve-seal	1	65064	Washer-outer	1	65209	Seal-felt	1	A-68415	Carburetor	1
24298	Plug-bearing & seal	1	65072-1	Rod-choke	1	A-65210-A	Cover-breaker box	1	68461	Jet-limiting	1
24299	Anvil	1	A-65076	Valve-inlet	1	65211	Seal-felt	1	A-68469-2	Handle Bar	1
24300	Sleeve-crankshaft	1	A-65077	Valve-outlet	1	A-65212	Pump-auto. oil	1	A-68487	Piston & Pin	1
A-24309	Jackscrew	1	65082	Nut-plunger	1	A-65214	Line-oil	1	68508	Piston Ring	2
24320	Bit-#3	1	65084	Button-oil pump	1	65217	Spring-clutch	3	68512	Bearing-needle	1
A-24335-A	Kit-starting rope	1	65085	Grommet-line	1	A-65222-1	Housing-starter	1	68700	Screw-hex	1
A-24336	Kit-filter	1	65092	Plate-lever	1	65225	Ball	1	68701	Rotor-magneto	1
A-24338	Kit-fasteners	1	65093	Clamp-lever	1	A-65256	Spark Arrestor	1	A-68704	Cover	1
24352	Compound-sealing	1	65095-2	Cover-starter	1	65260	"O" Ring	1	68705	Seal-felt	1
A-24365-A	Kit-ignition	1	65096-5	Cover-air filter	1	A-65272	Nut	1	68708	Box-breaker	1
A-24481	Kit-ignition	1	65102	Lock-spring	1	A-65275	Muffler	1	A-68710	Points-breaker	1
28008	Lock-breaker arm	1	65107	Spring-rewind	1	A-65283-A	Cap-fuel	1	68711	Condenser	1
28028	Washer-thrust as req'd		65108	Pawl-starter	2	A-65284-A	Cap-oil	1	68712	Lead Group	1
55871	Stud	4	65109	Stud-pawl	2	65286	Condenser	1	68715	Screw	2
58319-A	Ring-retaining	1	65110	Washer-pawl	2	65288	Rotor-magneto	1	68716	Core & Coil	1
58340-B	Line-oil	1	65111	Mount-shock	1	65291	Lead-primary	1	*68734-2	Bracket	1
58406	"O" Ring	1	65112-1	Pin-guide bar	1	65321	Screw	3	*A-68736-1	Handle Bar	1
58957	Gasket	1	65113	Shield-inner	1	65386	Kit-repair	1	*68759	Grip	1
59074	"O" Ring	4	65114	Shield-outer	1	65670	Plate-handle bar	2	*68770	Grip	1
59704	Screw-retaining	2	65115-2	Cover	1	65746	Race-inner	1	68773	Cover	1
60051	Ball-choke friction	1	65116	Bushing	1	65892	Shoe-clutch	3	68774	Gasket	1
63290	Washer-felt	1	65118	Rope-starter	1	A-67050	Kit-repair	1	68837	Insert-rope	1
63638-B	Plate-inner	1	65120	Spring-pawl	2	67191	Stud-drive #2	3	*68848	Reel-250'	
63639-A	Plate-outer	1	65121	Screw-shoulder	2	67360	Ring-screen	2	72084-A1	Nut-hex	1
63718	Valve-check	2	65122	Grommet	2	67361	Cover-fuel pump	1	FASTENING PARTS		
63905	Washer-lock	2	A-65123	Bracket	1	67362	Shaft-throttle	1	80035	10-32 x 5/8	2
63910	Plate-"On-Off"	1	65124	Pad-rubber	2	67363	Valve-throttle	1	80560	8-32 x 1/2	2
A-63920	Filter-fuel	1	65125	Ring-retaining	1	67364	Shaft-choke	1	80567	8-32 x 3/4	3
A-63938	Switch	1	65126	Key-woodruff	1	67365	Valve-choke	1	80571	6-32 x 3/8	4
A-63939	Lead-ground	1	65127	"O" Ring	1	67366	Stop-throttle	1	80577	8-32 x 3/8	4
64021	Screw-coil & core	2	65130-S	Spark Plug	1	67367	Gasket-circuit	1	80630	6-32 x 1/2	1
64083-1	Filter-fuel	1	65131-1	Cover-drivecase	1	67368	Gasket-fuel pump	1	80676	12-24 x 5/8	6
64124	Bearing-needle	1	65133	"O" Ring	1	67369	Gasket Set	1	80704	10-32 x 5/8	4
64182	Washer	1	65135	Grommet	1	67370	Diaphragm	1	80805	8-32 x 9/16	2
64224	Cover-diaphragm	1	65136	Screw-cam	1	67371	Diaphragm	1	80870	10-32 x 3/8	3
64229	Valve-inlet needle	1	65137	Line-oil	1	67372	Screw-valve	3	80919	4-40 x 1/4	2
64231	Gasket	1	65138	Fitting-oil line	1	67373	Screw-idle adj.	1	81010-1	Nut-10-32	2
64238	Spring-choke friction	1	65142	Seal-oil pump	1	67374	Screw	1	81065-2	Nut-1/4-28	4
64243	Screen-fuel inlet	1	65144	Gasket	1	67375	Screw	2	81109-2	Nut-10-32	2
64473	Grommet-handle bar	2	65145	Gasket	1	67376	Spring-carb.	1	81112	Nut-5/16-24	1
64613-A	Screw-shoulder	2	65146-1	Plate-clutch	1	67377	Spring-carb.	2	81126	Nut-#6-32	1
64677	Spring-throttle lock	1	65147-A	Stop-throttle adj.	1	67378	Spring-carb.	1	81196	Nut-5/16-18	2
64689	Screw Assembly	4	A-65152-2	Body-muffler	1	67379	Needle-idle adj.	2	82146	8-32 x 5/8	9
64813	Ring-retaining	2	65153	Pin-dowel	1	67381	Screen	2	82165	10-32 x 1-5/8	2
64862	Grommet-choke	1	A-65154-1A	Manifold-intake	1	67382	Plate-circuit	1	82169	10-32 x 7/8	1
65006-2	Crankshaft	1	65157	Screw-retainer	1	67383	Lever-metering	1	82187	8-32 x 1-7/16	1
65010	Seat-reed valve	1	A-65170	Pulley & Cup	1	67384	Kit-repair	1	82198	6-40 x 1	1
65011-A	Retainer-reed valve	1	65171-A	Pin-throttle	1	67628	Screw	1	83004-1	Washer-#6	1
65012-A	Reed-valve	4	A-65172	Filter-oil	1	67634	Boot-throttle rod	1	83006-1	Washer-#10	2
65014	Gasket-valve seat	1	65173	Lever-release	1	67752	Bushing	1	83046	Washer-#10	2
65016	Gasket-carb.	1	65174	Spring	1	A-67874-1	Cylinder	1	84065-1	Washer-5/16	1
65017	Spring-check valve	1	65175-A	Screw-guide bar	1	67893	Shield-pulley	1	86301	Pin-cotter	1
65018	Gasket-cylinder	1	A-65178	Filter Element	1	A-67947	Kit-heat exchanger	1	86324	Pin-cotter	1
65019	Seal	2	65179	Bearing-roller	1	A-67971	Bearing (set of 28)	1			

* Denotes new parts

HOMELITE®

A Textron
DIVISION