

PART NO. 17503

Printed in U.S.A.

Price 35¢

PARTS LIST



HOMELITE®

ST-80

STRING TRIMMER

HOMELITE **TEXTRON**

Homelite Division of Textron Inc.

ST-80 STRING TRIMMER

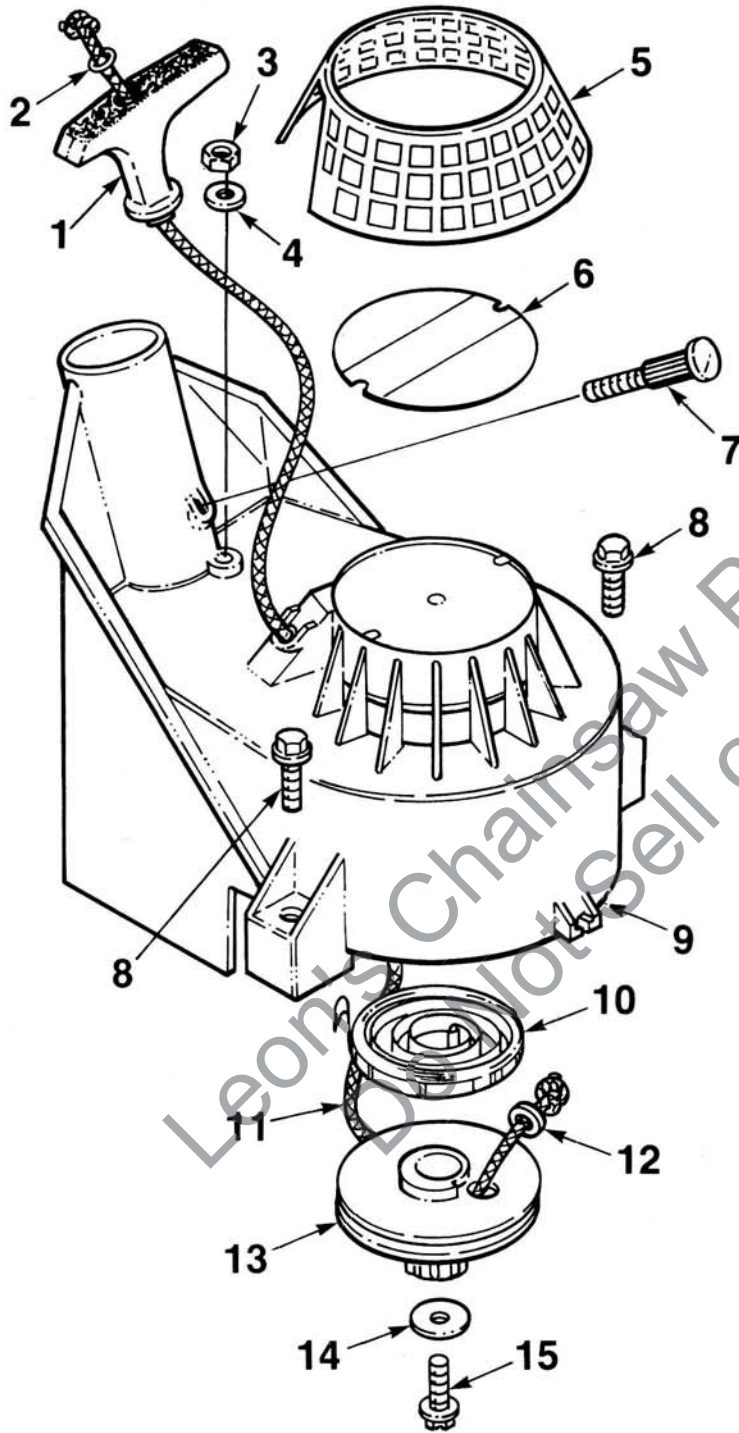


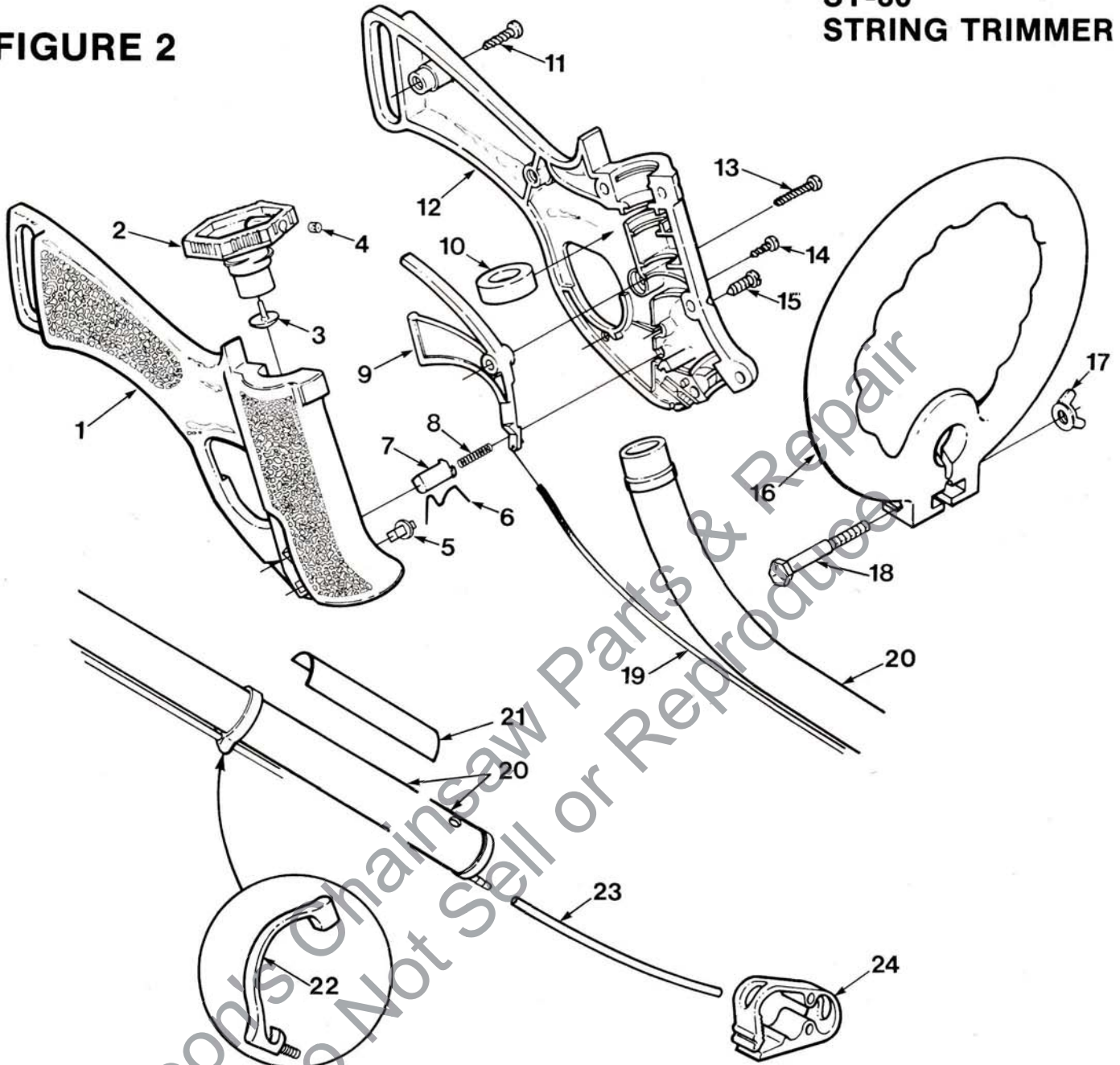
FIGURE 1

No.	Description	Part No.	Qty.
1	GRIP- Starter rope	70211	1
2	WASHER- Flat, #8	84025	1
3	NUT- Hex centerlock, 10-24	81208	1
4	WASHER- Flat, #10	84003-1	1
5	SCREEN- Starter housing	94230	1
6	DECAL- Housing	95359	1
7	BOLT- Rib neck	82387	1
8	SCREW- Sems hex hds., 10-24 x .625, Grade 8	88050	2
9	HOUSING- Starter	A-93799	1
10	SPRING- Rewind	69217	1
11	ROPE- Starter	A-93874	1
	Includes:		
12	WASHER- Nylon	93862	1
13	PULLEY- Starter	94562	1
14	WASHER- Retaining	94062	1
15	SCREW- Thread forming #10 x .750	70771	1

ALWAYS FURNISH MODEL AND SERIAL NUMBER WHEN ORDERING PARTS.

ST-80 STRING TRIMMER

FIGURE 2

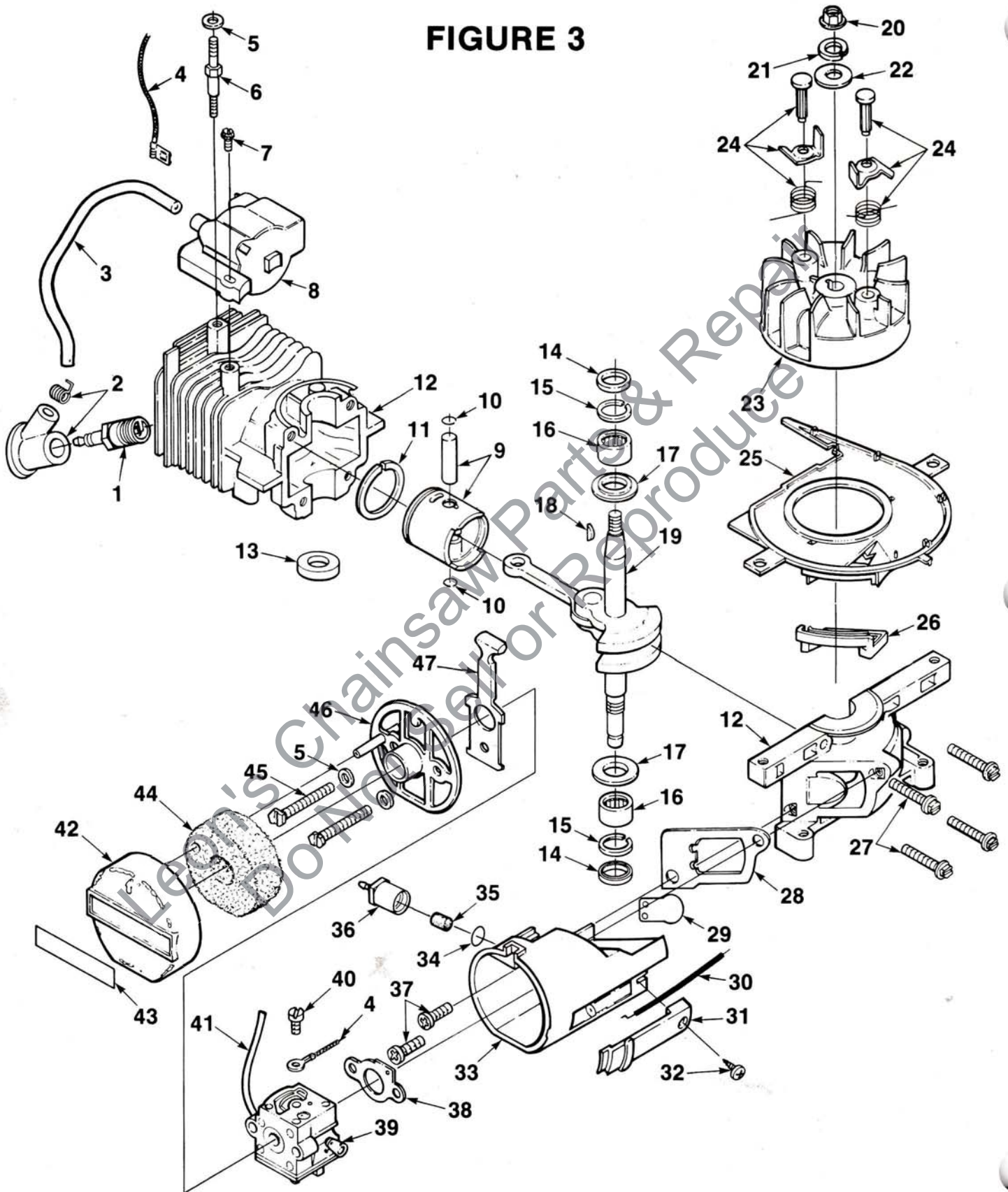


No.	Description	Part No.	Qty.	No.	Description	Part No.	Qty.
1	HANDLE- Right side	93798	1	14	SCREW- Thread forming 6-19 x 7/16	93923	1
2	FUEL CAP	A-93805	1	15	SCREW- Idle adj.	94221	1
3	Includes: VALVE	94531-1	1	16	HANDLE- Front	93770	1
4	FILTER- Fuel cap	69454	1	17	NUT- Wing washer face	93992	1
5	BUTTON- Stop	93803	1	18	SCREW- Cap hex hd. 1/4-20 x 2	80295	1
6	SPRING- Contact	93794	1	19	CABLE- Throttle	93806	1
7	BUTTON- Fast idle	94083	1	20	TUBE- Fuel tank	A-95328	1
8	SPRING- Fast idle	94085	1		Includes:		
9	TRIGGER- Throttle	93789	1	21	DECAL- Instruction	93971	1
10	SEAL- Tube	93790	1	22	CLIP- Throttle cable	93882	2
11	SCREW- Thread forming 10-16 x 3/4	94065	7	23	TUBING- Rubber 6"	93157-24	1
12	HANDLE- Left side	93797	1	24	CLAMP- Fuel line	95810	1
13	SCREW- Thread forming 8-18 x 1	94064	1				

ALWAYS FURNISH MODEL AND SERIAL NUMBER WHEN ORDERING PARTS.

**ST-80
STRING TRIMMER**

FIGURE 3



ALWAYS FURNISH MODEL AND SERIAL NUMBER WHEN ORDERING PARTS.

ST-80 STRING TRIMMER

No.	Description	Part No.	Qty.	No.	Description	Part No.	Qty.
1	SPARK PLUG	68616-S	1	26	SEAL	94234	1
2	TERMINAL- Hi-tension	A-33055	1	27	SCREW- Sems hex hd.,		
3	LEAD- High tension	69236	1		8-32 x 1	88044	4
4	LEAD- Ground	A-94715	1	28	GASKET	93884-A	1
5	WASHER- Flat #10	84003-1	3	29	REED	69146	1
6	STANDOFF	93728-A	1	30	CABLE- Throttle	93806	1
7	SCREW- Washer hd., 8-32 x 3/4	82248	1	31	CLAMP- Throttle cable	93894	1
8	MODULE- Ignition (includes items 2 & 3)	94711	1	32	SCREW- Thread forming, 6-19 x 7/16	93923	1
9	PISTON	A-69393	1	33	HOUSING- Carburetor	A-95327	1
	Includes:			34	"O" RING	59765	1
10	RING- Piston retaining	65261	2	35	FILTER- Fuel	95484	1
11	PISTON- Ring	69312	1	36	NIPPLE- Fuel inlet	93887	1
12	CRANKCASE & CYLINDER	A-95332	1	37	SCREW- Mach. pan hd., 10-24 x .812	93934	2
13	SHIELD- Grass	94270	1	38	GASKET	93889	1
14	SEAL	94638	2	39	CARBURETOR (WALBRO) WA-83	A-95377	1
15	SPACER- Seal	69407	2	40	SCREW- Mach. pan hd., 6-32 x 1/4	82159	1
16	BEARING- Needle	12530	2	41	TUBING- Rubber 2 1/4"	70310-09	1
17	WASHER- Thrust	69093-B	2	42	COVER- Carburetor	A-95329	1
18	KEY- Woodruff	69250	1		Includes:		
19	CRANKSHAFT	A-94712	1	43	DECAL	93893	1
20	NUT- Rotor	81117	1	44	FILTER ELEMENT- Air	94163	1
21	WASHER- Lock	83002	1	45	SCREW- Hex hd., 10-32 x 1 5/8	82165	2
22	WASHER	84065-1	1	46	SUPPORT- Air filter	93890	1
23	ROTOR & STARTER PAWL	A-94717	1	47	CHOKE	93892	1
	Includes:						
24	PAWL- Starter	A-70285-A	1				
25	COVER- Air	94693	1				

ALWAYS FURNISH MODEL AND SERIAL NUMBER WHEN ORDERING PARTS.

**ST-80
STRING TRIMMER**

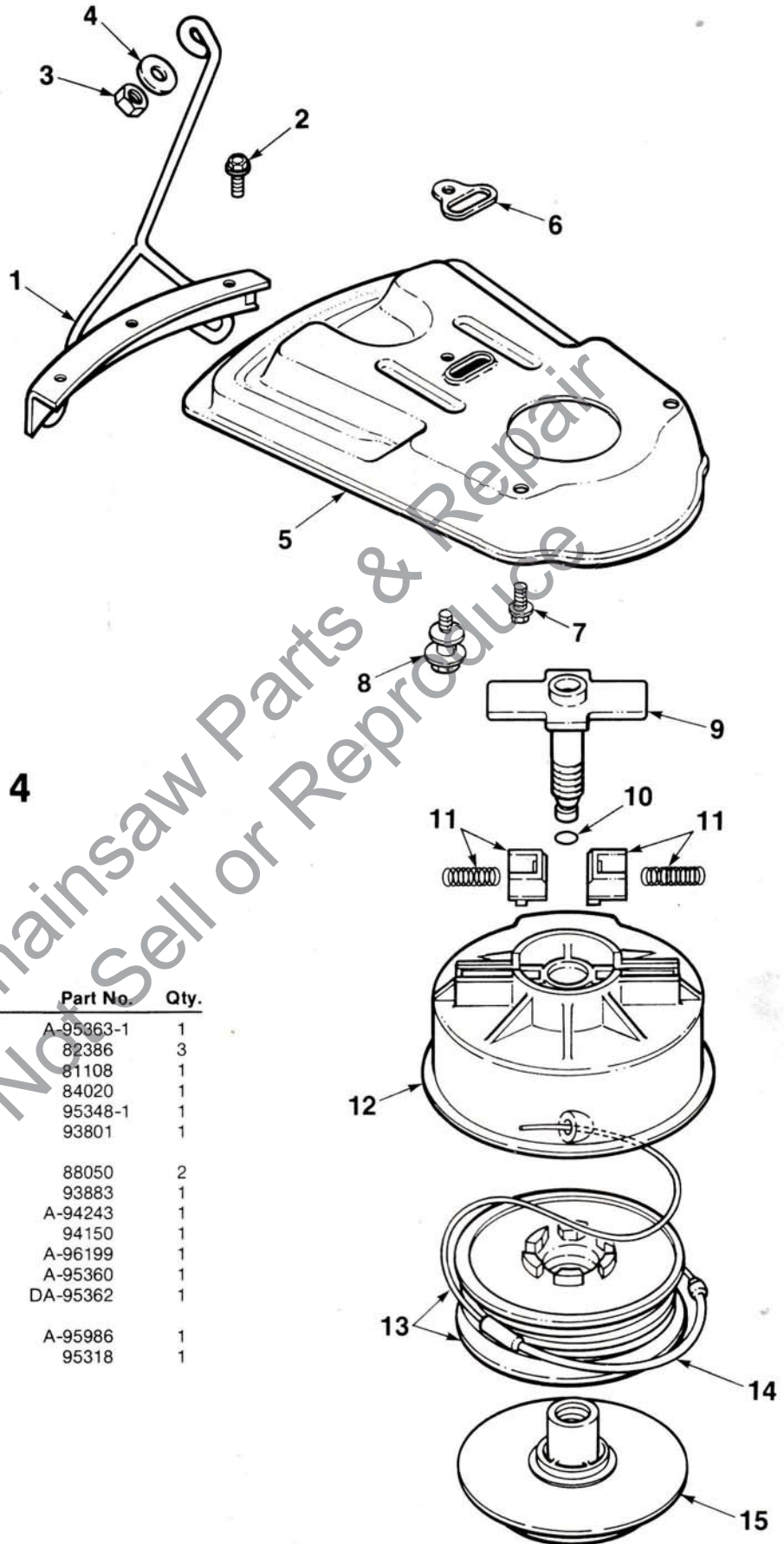
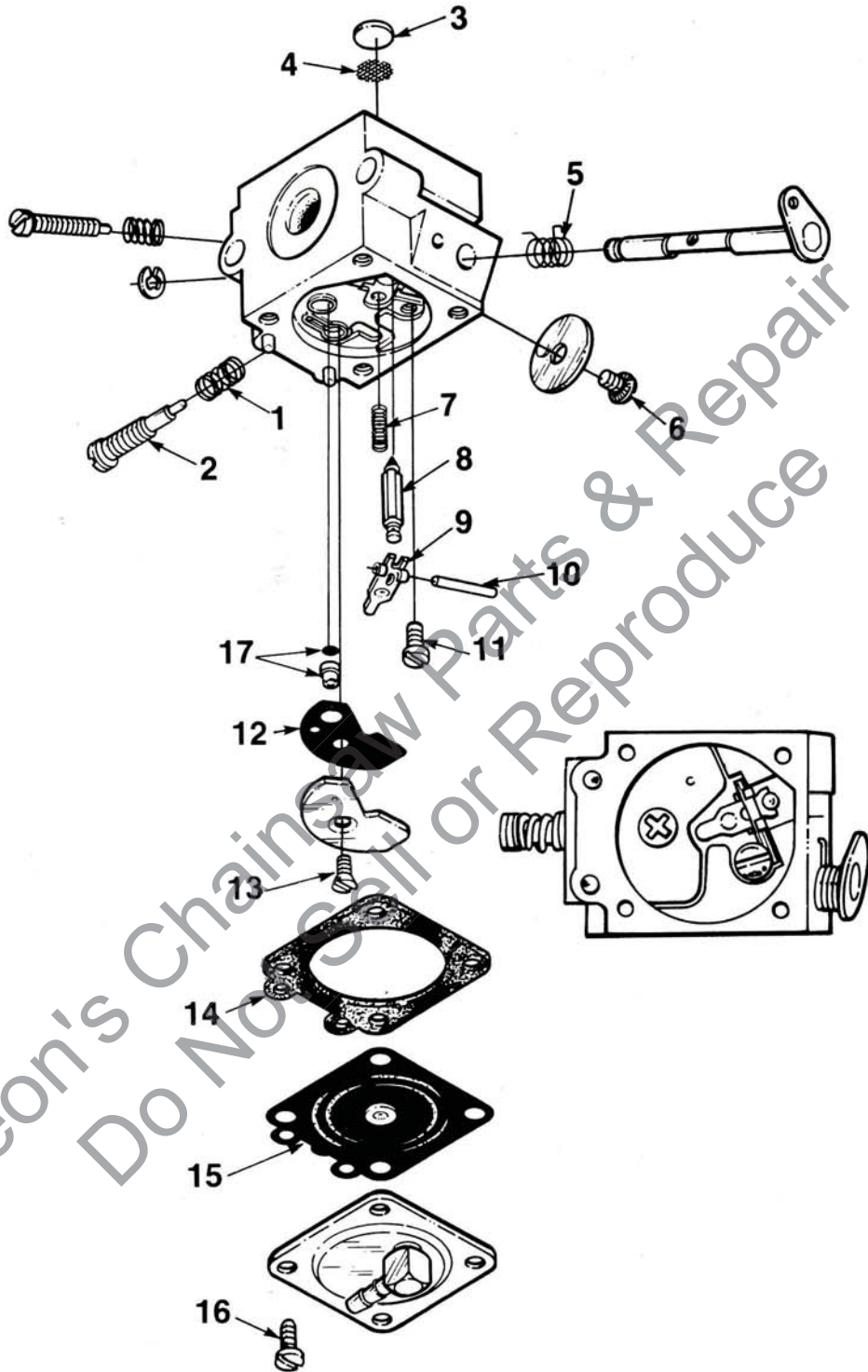


FIGURE 4

No.	Description	Part No.	Qty.
1	SUPPORT- Muffer	A-95363-1	1
2	SCREW- Thread rolling	82386	3
3	NUT- Lock, 1/4-20	81108	1
4	WASHER- Flat, 1/4	84020	1
5	MUFFLER	95348-1	1
6	GASKET- Muffer	93801	1
7	SCREW- Sems flex hd, 10-24 x .625 (Grade 8)	88050	2
8	SCREW- Shoulder, 10-24	93883	1
9	ADAPTER- Shaft	A-94243	1
10	"O" RING	94150	1
11	KIT- SLIDE & SPRING	A-96199	1
12	HEAD- String w/eyelet	A-95360	1
13	SPOOL & STRING	DA-95362	1
	Includes:		
14	WELDNOT TUBE	A-95986	1
15	RETAINER- Spool	95318	1

ALWAYS FURNISH MODEL AND SERIAL NUMBER WHEN ORDERING PARTS.

**WALBRO CARBURETOR
A-95377 (WA-83)**



- 94549-A REPAIR KIT
Includes: 1-16
- 94548 REPAIR KIT- Check valve (#17)
- 64229 VALVE- Inlet (#8)

ALWAYS FURNISH MODEL AND SERIAL NUMBER WHEN ORDERING PARTS.

TOOLS

SILASTIC- (Crankcase sealing)	24823
PLIERS- Tru-Arc (Sprocket retaining ring)	17198
PULLER- Magneto rotor	A-24747-A
Includes:	
BOLT- 5/16-18 x 1 3/4 (1)	80288
NUT- Hex 5/16-18 (2)	81196
WRENCH- Spanner (clutch)	A-93791
Includes:	
PIN- Clutch spanner (2)	23717-A
TOOL- Carburetor check valve installation	24972

Leon's Chainsaw Parts & Repair
Do Not Sell or Reproduce

00821YY

HOMELITE **TEXTRON**

Homelite Division of Textron Inc.