

PART NO. 17503 - REV. 1

Printed in U.S.A.

Price 35¢

# PARTS LIST



**HOMELITE®**

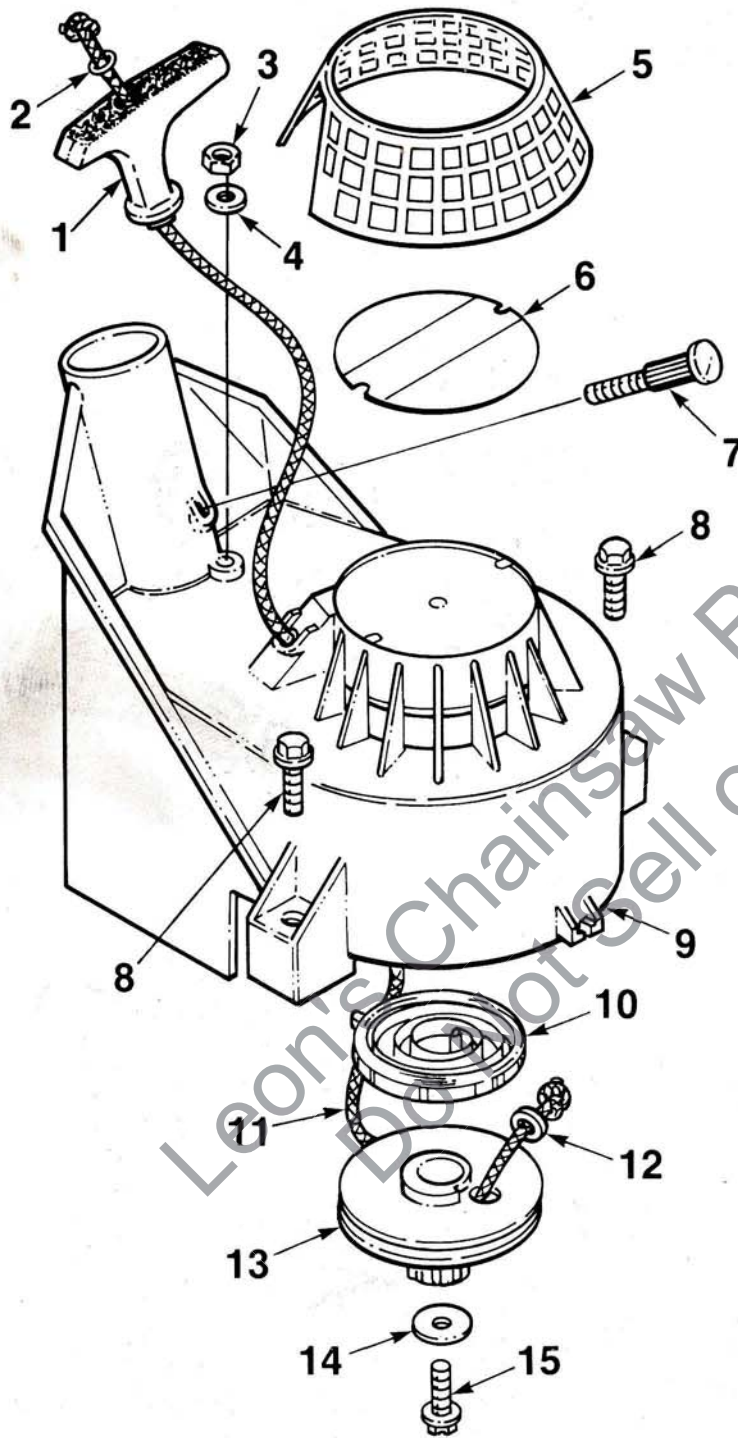
**ST-80**

**STRING TRIMMER**

**HOMELITE** **TEXTRON**

Homelite Division of Textron Inc.

# ST-80 STRING TRIMMER



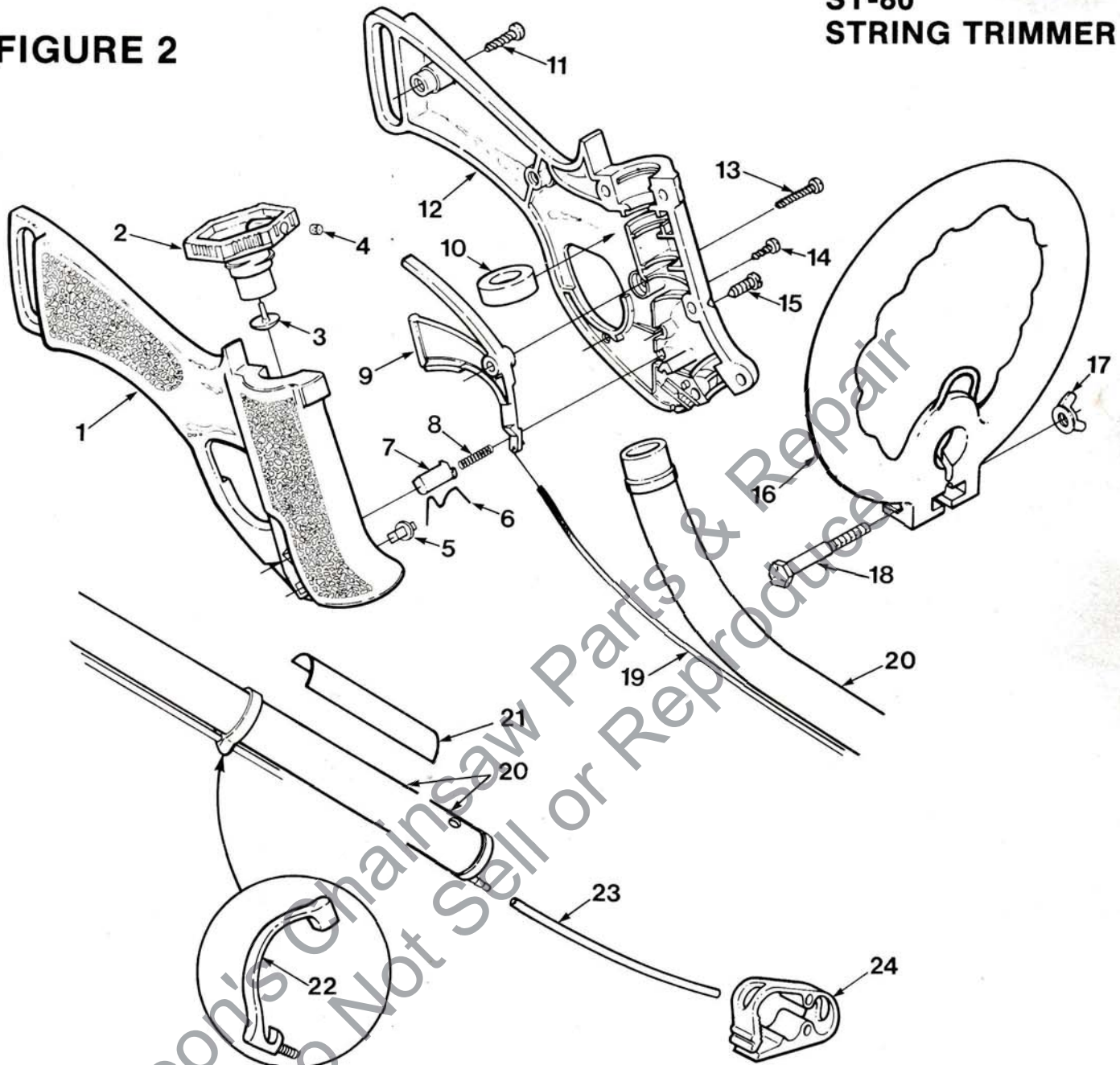
**FIGURE 1**

No.	Description	Part No.	Qty.
1	GRIP- Starter rope	70211	1
2	WASHER- Flat, #8	84025-1	1
3	NUT- Hex centerlock, 10-24	81208	1
4	WASHER- Flat, #10	84003-1	1
5	SCREEN- Starter housing	94230	1
6	DECAL- Housing	95359-A	1
7	BOLT- Rib neck	82387	1
8	SCREW- Sems hex hds., 10-24 x .625, Grade 8	88050	2
9	HOUSING- Starter	A-93799	1
10	SPRING- Rewind	A-96999	1
11	ROPE- Starter	96648	1
	Includes:		
12	WASHER- Nylon	93862	1
13	PULLEY- Starter (primary source)	69158-A	1
	PULLEY- Starter (alternate source)	94562-A	1
14	WASHER- Retaining	94062	1
15	SCREW- Thread forming #10 x .750	70771	1

ALWAYS FURNISH MODEL AND SERIAL NUMBER WHEN ORDERING PARTS.

# ST-80 STRING TRIMMER

## FIGURE 2



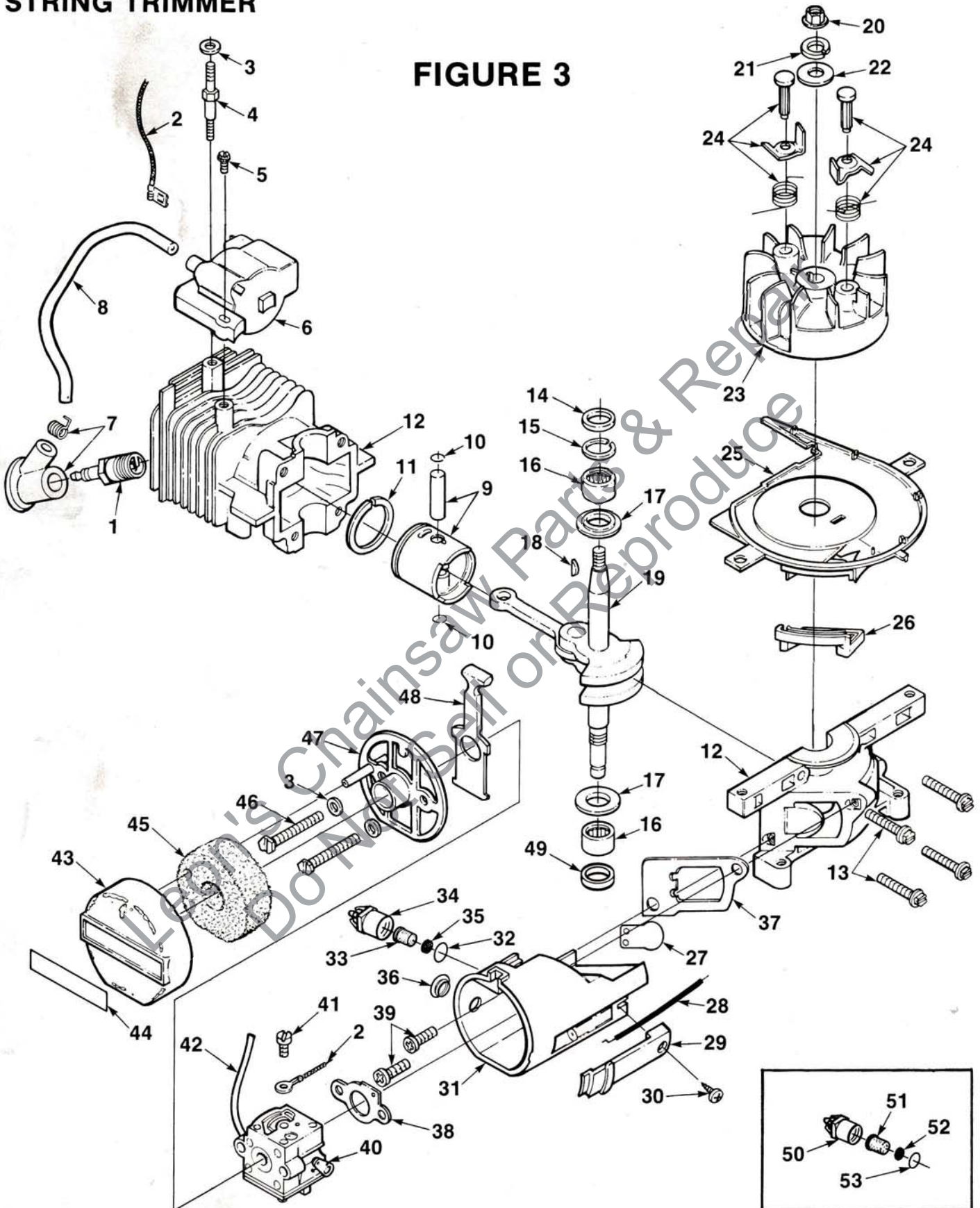
No.	Description	Part No.	Qty.	No.	Description	Part No.	Qty.
1	HANDLE- Right side	93798	1	14	SCREW- Thread forming 6-19 x 7/16	93923	1
2	FUEL CAP Includes:	A-93805	1	15	SCREW- Idle adj.	94221	1
3	VALVE	94531-1	1	16	HANDLE- Front	93770-A	1
4	FILTER- Fuel cap	69454	1	17	NUT- Wing washer face	93992	1
5	BUTTON- Stop	93803	1	18	SCREW- Cap hex hd. 1/4-20 x 2	80295	1
6	SPRING- Contact	93794	1	19	CABLE- Throttle	93806	1
7	BUTTON- Fast idle	94083	1	20	TUBE- Fuel tank Includes:	A-95328	1
8	SPRING- Fast idle	94085	1	21	DECAL- Instruction	96572	1
9	TRIGGER- Throttle	93789	1	22	CLIP- Throttle cable	93882	2
10	SEAL- Tube	93790	1	23	TUBING- Rubber 6"	93157-24	1
11	SCREW- Thread forming 10-16 x 3/4	94065	7	24	CLAMP- Fuel line	95810-B	1
12	HANDLE- Left side	93797	1				
13	SCREW- Thread forming 8-18 x 1	94064	1				

ALWAYS FURNISH MODEL AND SERIAL NUMBER WHEN ORDERING PARTS.



**ST-80  
STRING TRIMMER**

**FIGURE 3**



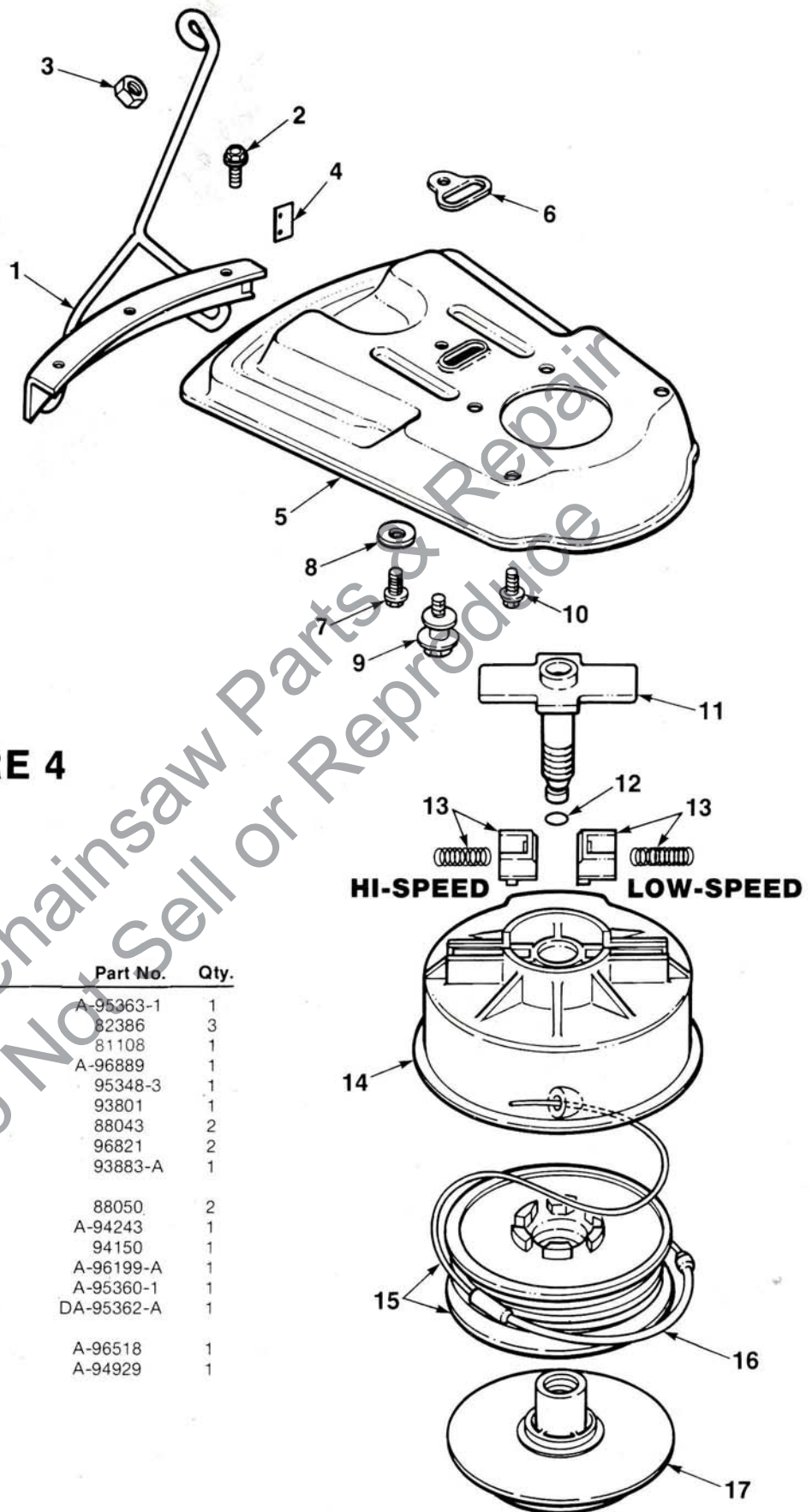
ALWAYS FURNISH MODEL AND SERIAL NUMBER WHEN ORDERING PARTS.

# ST-80 STRING TRIMMER

No.	Description	Part No.	Qty.	No.	Description	Part No.	Qty.
1	SPARK PLUG	68616-S	1	29	CLAMP- Throttle cable	93894	1
2	LEAD- Ground	A-94715	1	30	SCREW- Thread forming 6-19 x 7/16	93923	1
3	WASHER- Flat #10	84003-1	3	31	HOUSING- Carburetor	A-95327	1
4	STANDOFF	93728-A	1		Includes:		
5	SCREW- Washer hd., 8-32 x 3/4	82248	1	32	"O" RING	46291	1
6	MODULE- Ignition	94711	1	33	FILTER- Fuel (.440)	93153	1
	Includes:			34	NIPPLE- Fuel inlet	93719	1
7	TERMINAL- Hi-tension	A-33055	1	35	FILTER- Screen	96820	1
8	LEAD- High tension	69236	1	36	PLUG- Unthreaded	96591	1
9	PISTON	A-69393	1	37	GASKET	93884-A	1
	Includes:			38	GASKET	93889	1
10	RING- Piston retaining	65261	2	39	SCREW- Mach. pan hd., 10-24 x .812	93934	2
11	PISTON RING (primary source)	69312	1	40	CARBURETOR (WALBRO) WA-83	A-95377	1
	PISTON RING (alternate source)	69312-1A	1		CARBURETOR (Zama) CIS-H6	A-96631	1
12	CRANKCASE & CYLINDER	A-95332-3	1	41	SCREW- Mach. pan hd., 6-32 x 1/4	82159	1
	Includes:			42	TUBING- Rubber 2 1/4"	70310-09	1
13	SCREW- Sems hex hd. 8-32 x 1	88044	4	43	COVER- Carburetor	A-95329	1
14	SEAL	94638	1		Includes:		
15	SPACER- Seal	69407	1	44	DECAL	93893	1
16	BEARING- Needle	12530	2	45	FILTER ELEMENT- Air	94163	1
17	WASHER- Thrust	69093-B	2	46	SCREW- Hex hd., 10-32 x 1 5/8	82165	2
18	KEY- Woodruff	69250	1	47	SUPPORT- Air filter	93890-A	1
19	CRANKSHAFT	A-96384	1	48	CHOKE	93892-B	1
20	NUT- Rotor	81117	1	49	SEAL	96890	1
21	WASHER- Lock	83002	1		KIT- Fuel filter	A-95493-D	1
22	WASHER	84065-1	1		Includes:		
23	ROTOR & STARTER PAWL	A-96714	1	50	FITTING- Fuel	93887	1
	Includes:			51	FILTER- Fuel (.260)	96184	1
24	PAWL- Starter	A-70285-C	1	52	SCREEN- Filter	96819	1
25	COVER- Air	94693-B	1	53	"O" RING	94150	1
26	SEAL	94234	1		PLUG- Expansion (not shown)	30818	1
27	REED	69146	1		SCREEN- Inlet (not shown)	94544	1
28	CABLE- Throttle	93806	1				

ALWAYS FURNISH MODEL AND SERIAL NUMBER WHEN ORDERING PARTS.

# ST-80 STRING TRIMMER



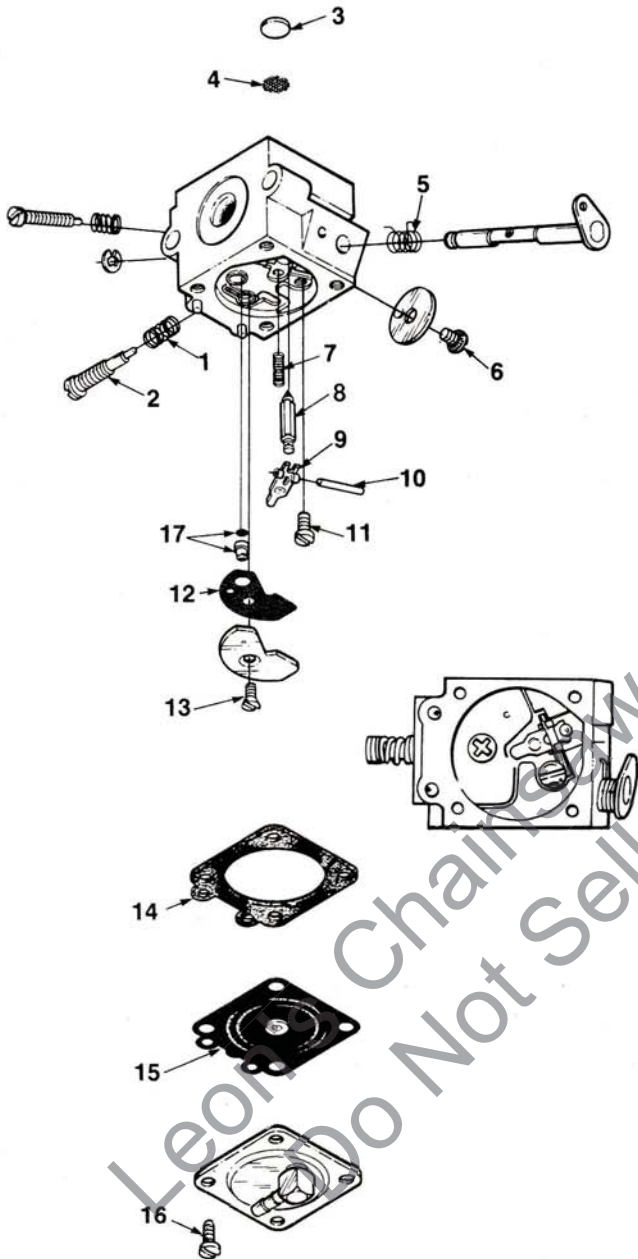
**FIGURE 4**

No.	Description	Part No.	Qty.
1	SUPPORT- Muffler	A-95363-1	1
2	SCREW- Thread rolling	82386	3
3	NUT- Lock, 1/4-20	81108	1
4	BLADE	A-96889	1
5	MUFFLER	95348-3	1
6	GASKET- Muffler	93801	1
7	SCREW	88043	2
8	SPACER	96821	2
9	SCREW- Shoulder, 10-24	93883-A	1
10	SCREW- Sems hex hd., 10-24 x .625 (grade 8)	88050	2
11	ADAPTER- Shaft	A-94243	1
12	"O" RING	94150	1
13	KIT- SLIDE & SPRING	A-96199-A	1
14	HEAD- String w/eyelet	A-95360-1	1
15	SPOOL & STRING	DA-95362-A	1
	Includes:		
16	WELDNUT TUBE	A-96518	1
17	RETAINER- Spool	A-94929	1

ALWAYS FURNISH MODEL AND SERIAL NUMBER WHEN ORDERING PARTS.

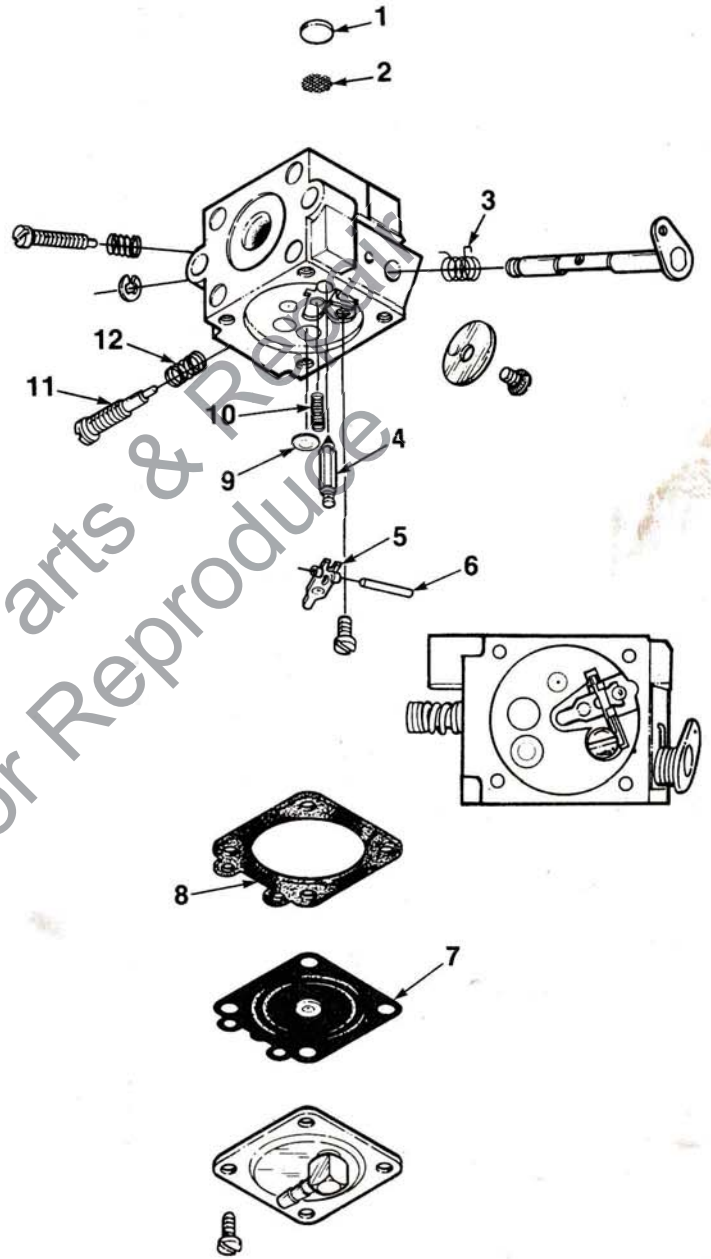


**WALBRO CARBURETOR  
A-95377 (WA-83)**



- 96625 Repair Kit  
(Includes 1-16)
- 94548 Check Valve Repair Kit  
(#17)
- 64229 Valve-Inlet (#8)

**ZAMA CARBURETOR  
A-96631 (CIS-H6)**



- 95856 Repair Kit  
(Includes 1-12)

ALWAYS FURNISH MODEL AND SERIAL NUMBER WHEN ORDERING PARTS

### ACCESSORIES AND TOOLS

WRENCH- Combination	A-24284
SHIM- Plastic (.012 thick black)	24306
SCREWDRIVER	24541
ROTOR- Puller	A-24747-A
Includes:	
NUT- Hex 5/16 - 18	81196
BOLT	80288
SEALANT- Silicone	24823
HARNESS	D-92703
Includes:	
CONNECTOR	96730

Leon's Chainsaw Parts & Repair  
Do Not Sell or Reproduce

1283BNZ

**HOMELITE** **TEXTRON**

Homelite Division of Textron Inc.