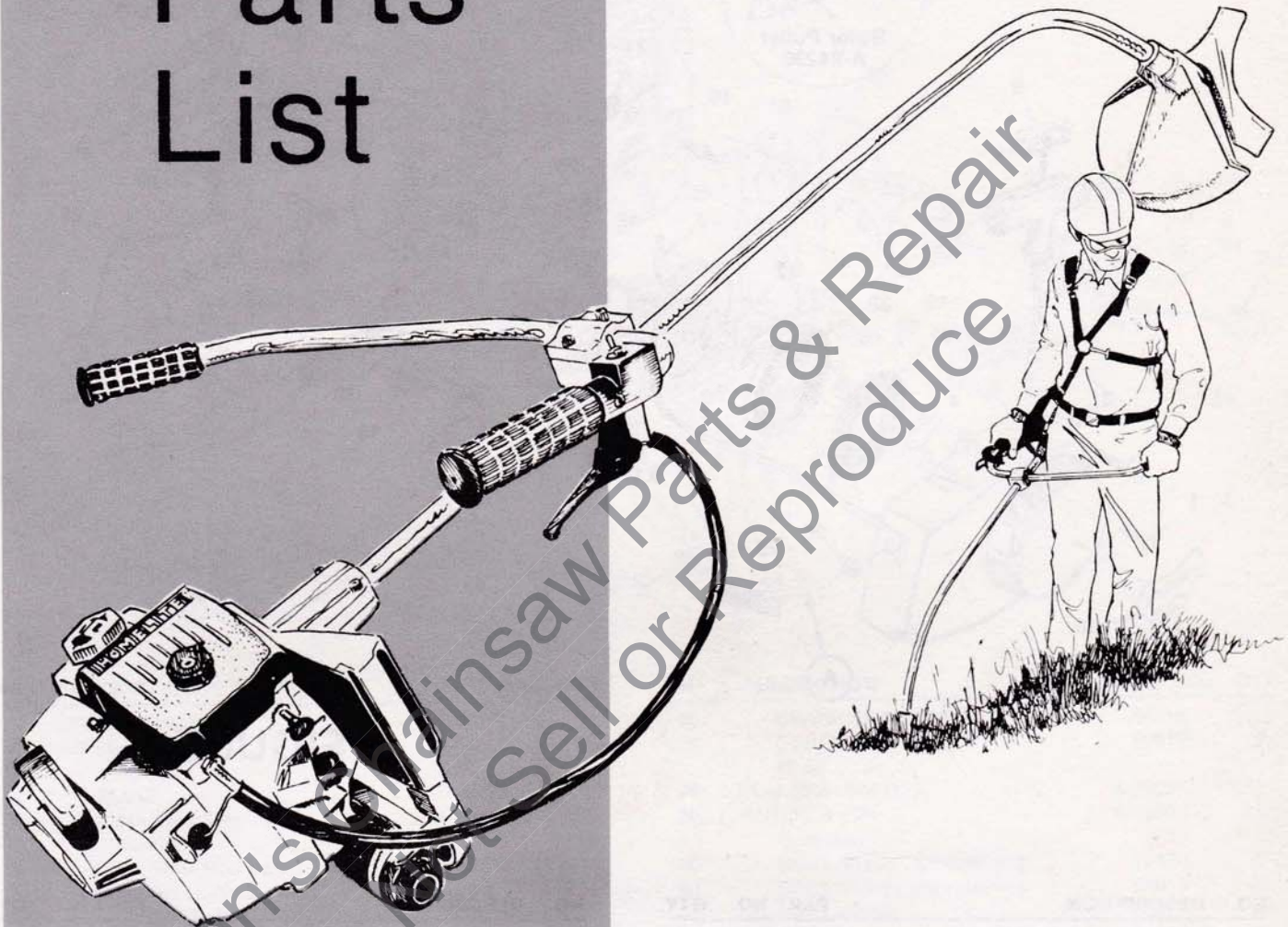


PART NO. 17406

Printed in U.S.A.

Price 35¢

Parts List



HOMELITE® **ST-400** BRUSHCUTTER

HOMELITE **TEXTRON**

Homelite Division of Textron Inc.

ST-400

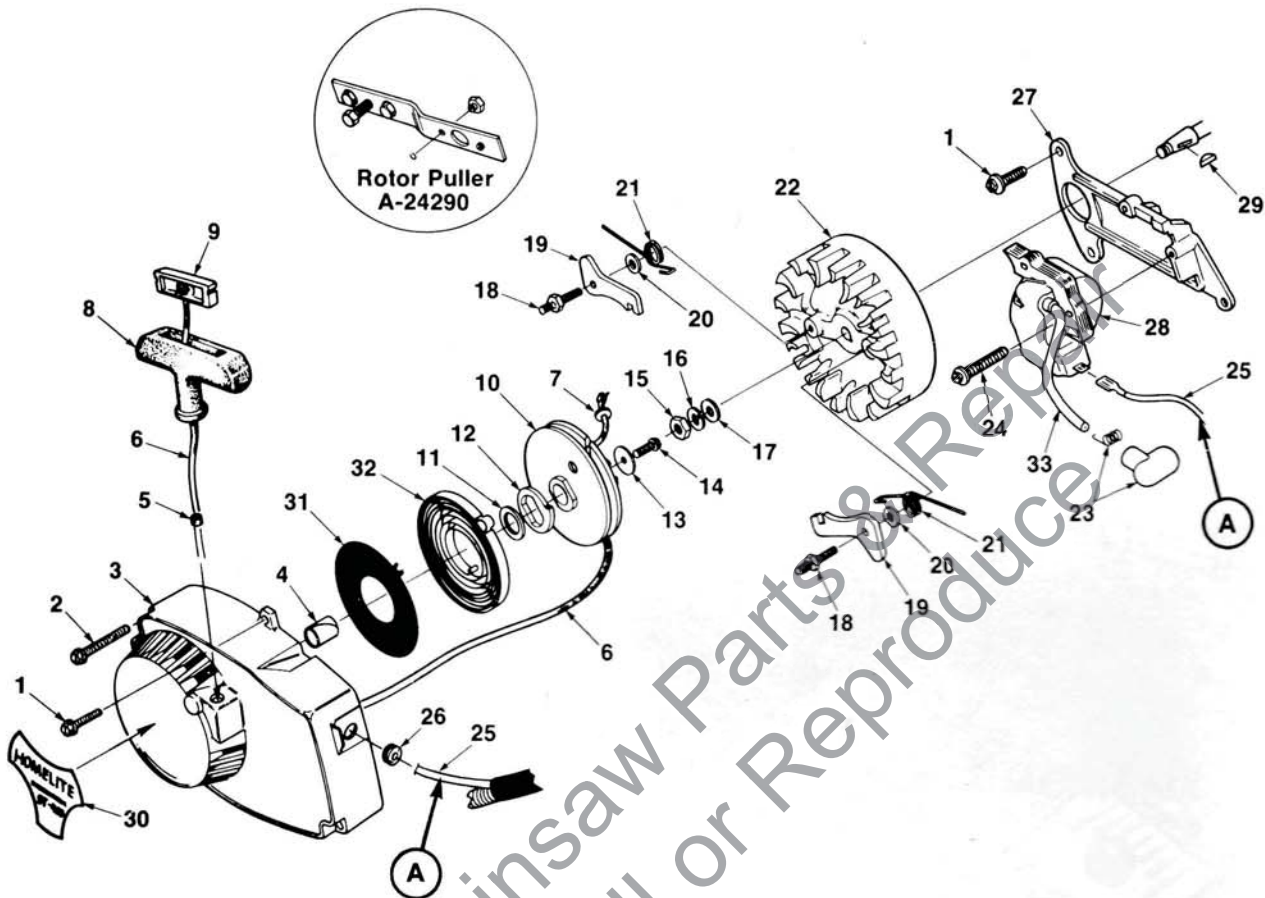
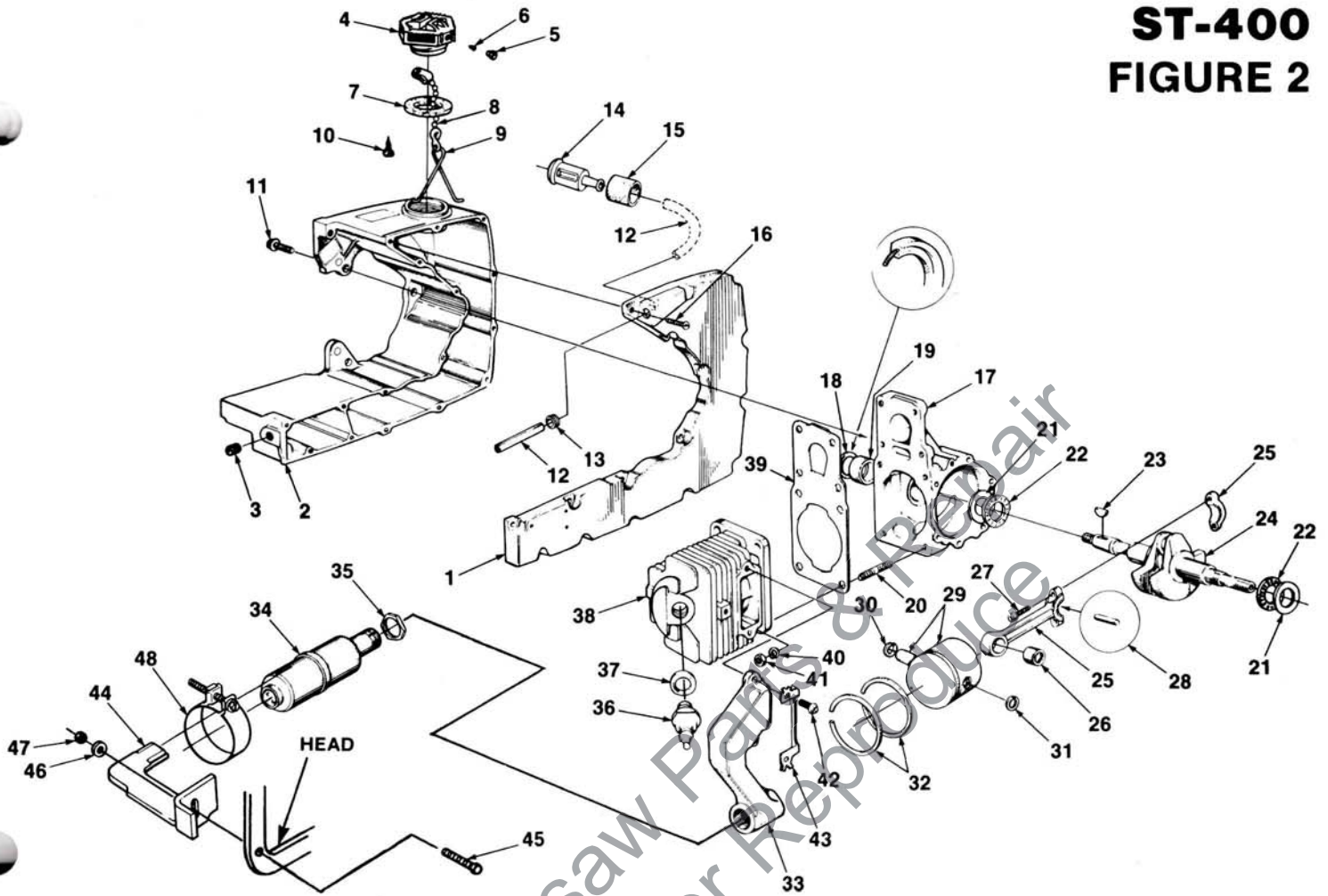


FIGURE 1

NO.	DESCRIPTION	PART NO.	QTY.	NO.	DESCRIPTION	PART NO.	QTY.
1	SCREW- Hex, #12-24 x 5/8	80676	4	16	WASHER- Lock, 5/16	83002	1
2	SCREW- Hex, #12-24 x 1 11/16	58963	3	17	WASHER- Flat, 5/16	84056	1
3	FAN HOUSING	A-64518	1	18	STUD- Shoulder	58757-E	2
	Includes:			19	PAWL- Starter	58756	2
4	BUSHING- Starter post	64443	1	20	WASHER	70901	2
5	BUSHING	67177	1	21	SPRING- Starter pawl	65375-2	2
6	ROPE- Starter 48" lg. #5 nylon	A-93875	1	22	ROTOR- Magneto	70639	1
	Includes:			23	TERMINAL	A-33055	1
7	WASHER- Flat	93862	1	24	SCREW- Mach. hex hd.	82248	2
8	GRIP- Rope	A-69962-B	1	25	LEAD- Ground	A-47009	1
	Includes:				Includes:		
9	INSERT	70018-A	1	26	GROMMET	75036	1
10	PULLEY- Starter	A-64446	1	27	PLATE- Ign. Coil Mtg.	94326-1	1
	Includes:			28	MODULE & CORE	94605	1
11	BUSHING- Spring lock	64400	1	29	KEY- Woodruff	75078	1
12	LOCK- Spring	64049-B	1	30	DECAL (ST-400)	47717	1
13	WASHER- Retaining	58763	1	31	SHIELD- Spring (inner)	59638-A	1
14	SCREW- Hex, 10-32 x 1/2	80648	1	32	SPRING & CONTAINER	A-94842	1
15	NUT- hex, 5/16-24	81117	1	33	LEAD- High tension	58966	1

ALWAYS FURNISH MODEL AND SERIAL NUMBER WHEN ORDERING PARTS.

ST-400 FIGURE 2



NO.	DESCRIPTION	PART NO.	QTY.	NO.	DESCRIPTION	PART NO.	QTY.
1	COVER- Fuel tank	68141-2A	1	26	BEARING- Needle	68512	1
2	TANK- Fuel	A-68396		27	SCREW- Soc. hd. #8-32 x 1/2	69919	2
3	PLUG	59571	1	28	ROLLERS- Set (31)	A-69054	1
4	CAP- Fuel filler	A-69500-A	1	29	PISTON & PIN	A-58903-C	1
5	FILTER- Fuel cap	69454	1	30	RINGS- Piston pin retaining	75120	1
6	VALVE- Check	69451	1	31	RING- Piston pin retaining	64813	1
7	GASKET- Fuel filler	69501	1	32	RING- Piston	58877	2
8	CHAIN- Bead	69502	1	33	MANIFOLD	65401-1	1
9	RETAINER	69503	1	34	MUFFLER	59397-2	1
10	SCREW- Pan hd.	82256	1	35	NUT- Lock	59510	1
11	SCREW- Hex, #1/4-20 x 3/4	63407	3	36	SPARK PLUG	63547-S	1
12	LINE- Fuel (Flexible)	93112-37	1	37	GASKET	25038	1
13	GROMMET	68046	1	38	CYLINDER	A-69715	1
14	FILTER- Fuel	A-69923	1	39	GASKET- Cylinder	58513	1
15	FILTER	64083	1	40	WASHER- Lock, 1/4	83009	4
16	SCREW- Rd. hd. #6 x 1/2	80513	16	41	NUT- 1/4-28	81065-2	4
17	CRANKCASE	A-65736	1	42	SCREW- Hex #12-24 x 3/4	82189	2
18	SEAL	12282-A	1	43	BRACKET- Locking	64116-1	1
19	BEARING	58956	1	44	BRACKET- Muffler	42262-1	1
20	STUD	55871	4	45	SCREW- Hex hd. #10-24 x 1 1/8	82218	1
21	RACE- Thrust bearing	58725	2	46	WASHER- Flat #10	84003-1	1
22	BEARING- Needle thrust	58726	2	47	NUT- Lock #10-24	81208	1
23	KEY- Woodruff	75078	1	48	CLAMP- Muffler	42263	1
24	CRANKSHAFT	63497-1	1		GASKET- Fuel tank (Not Shown)	65642	1
25	ROD- Connecting	A-63477-B	1				
	Includes:						

ALWAYS FURNISH MODEL AND SERIAL NUMBER WHEN ORDERING PARTS.

ST-400

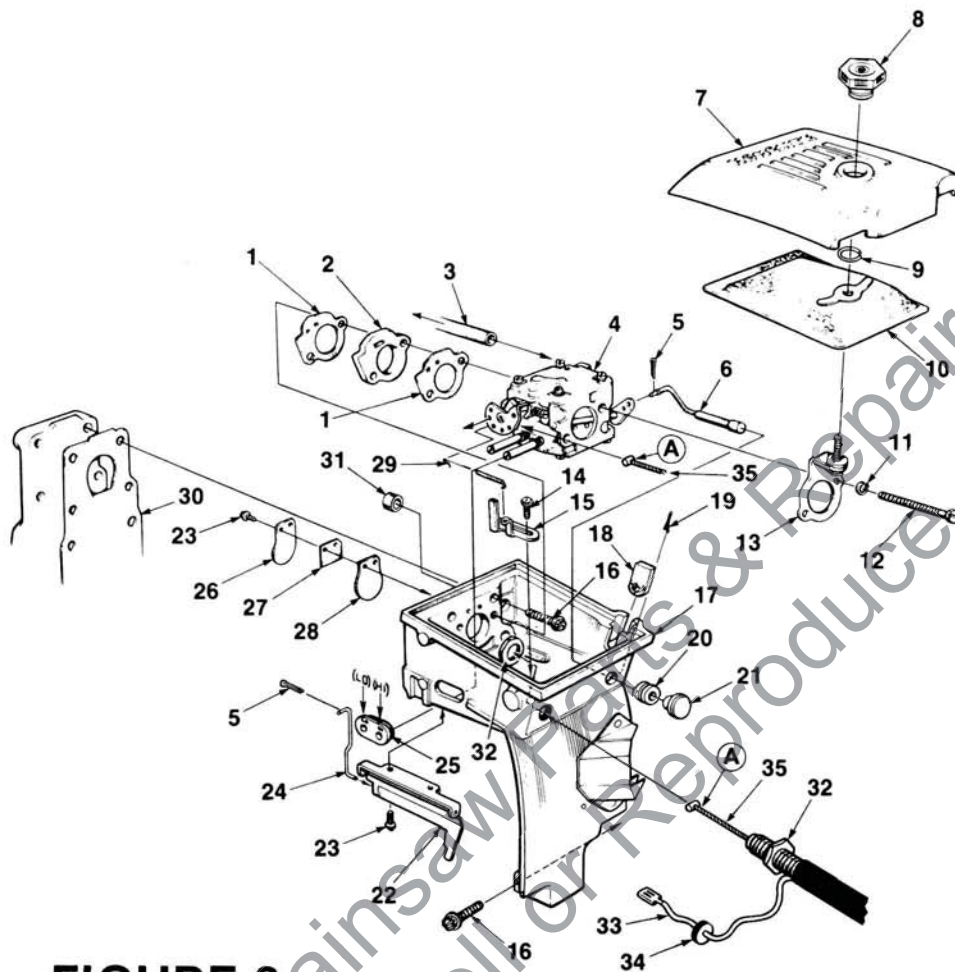


FIGURE 3

NO.	DESCRIPTION	PART NO.	QTY.	NO.	DESCRIPTION	PART NO.	QTY.
1	GASKET- Carburetor	58537-A	2	18	PLUG- Felt	59329	1
2	SPACER- Carburetor	58780	1	19	PIN- Cotter	86301	1
3	FUEL LINE- Flexible	93112-37	1	20	GROMMET	58362	1
4	CARBURETOR	A-46986	1	21	BUTTON	57289-1	1
5	PIN- Cotter	86324	2	22	GOVERNOR- Air vane	A-59301-A	1
6	ROD- Choke	A-58826	1	23	SCREW- Pan hd. (#4-40 x 3/16)	80658	4
7	COVER- Air filter	58773-12	1	24	LINK- Governor	46985	1
8	NUT- Cover	A-65272	1	25	GROMMET- "LO - HI"	59058	1
9	RING- Retaining	58319-A	1	26	STOP- Reed	58776	1
10	ELEMENT- Air filter	63589-A	1	27	SPRING- Reed	59053	1
11	WASHER- Lock	83046	2	28	REED- Valve	58775	1
12	SCREW- Hex #10-32 x 2 1/4	80481	2	29	SPRING- Governor	59242	1
13	BRACKET- Filter cover	A-58818-A	1	30	GASKET- Cylinder	58513	1
14	SCREW- Pan hd. #8-32 x 1/4	80575	2	31	GROMMET	68279	1
15	PLATE- Speed adjusting	A-59299	1	32	NUT- Hex	81117	2
16	SCREW- Hex #12-24 x 7/8	80891	5	33	LEAD- Ground Includes:	A-47009	1
17	CHAMBER- Carburetor Includes:	A-65617-B	1	34	GROMMET	75036	1
				35	CONTROL- Throttle	46824	1

ALWAYS FURNISH MODEL AND SERIAL NUMBER WHEN ORDERING PARTS.

ST-400

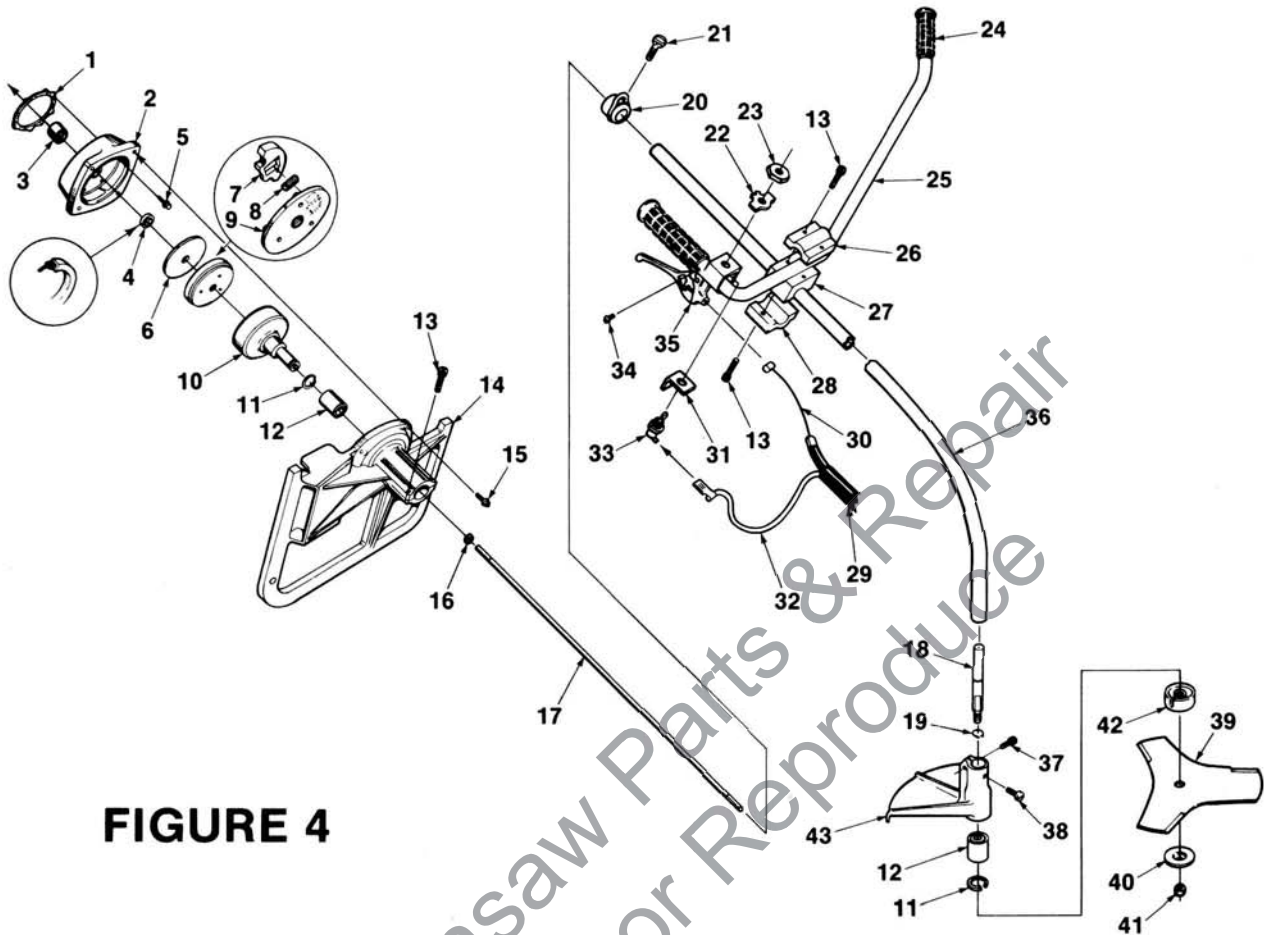


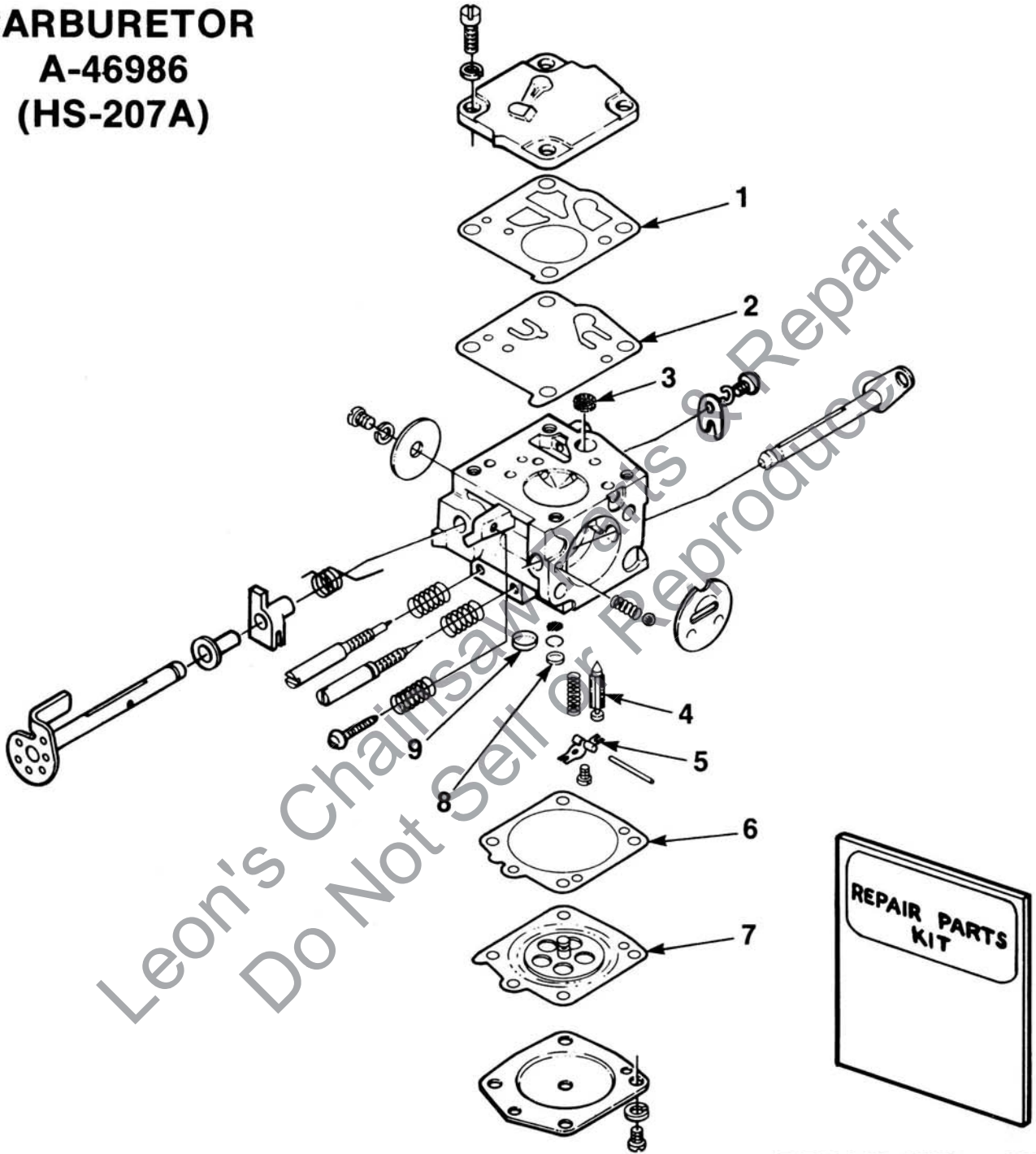
FIGURE 4

NO.	DESCRIPTION	PART NO.	QTY.	NO.	DESCRIPTION	PART NO.	QTY.
1	GASKET- Crankcase	63355	1	23	NUT- Hex	72084-A1	1
2	DRIVECASE	A-65397-1	1	24	GRIP- Handle	74025	2
	Includes:			25	HANDLE BAR	46776	1
3	BEARING	58956	1	26	CLAMP- Handle	46778-1	1
4	SEAL	12282-A	1	27	CLAMP- Body	46777-1	1
5	SCREW- Hex (12-24 x 9/16)	80899	5	28	CLAMP- Casing	46779-1	1
	CLUTCH ASSEMBLY	A-69480-C	1	29	SLEEVE- Insulation	43281-04	1
	Includes:			30	CONTROL- Throttle	46824	1
6	COVER- Clutch	95054	1	31	STRIP- Grounding	47026	1
7	SHOE- Clutch	69461	3	32	LEAD- Ground	A-47009	1
8	SPRING- Clutch	67053	3		Includes:		
9	PLATE- Clutch back	65760-1B	1		GROMMET- (See #26 on Figure 1)	75036	1
10	DRUM & HUB	A-94750	1	33	SWITCH- Toggle	93653	1
11	RING- Retaining	28922	1	34	SCREW- Rd. hd. (10-32 x 1/4)	80276	1
12	BEARING- Ball	56219	2	35	BRACKET- Handle	A-47021	1
13	SCREW- Cap soc. hd. (1/4-20 x 1)	80428-1	6	36	SHAFT CASING	A-46825	1
14	HEAD- Upper	63755-4	1	37	SCREW- Soc. hd. (14-20 x 3/4)	80373-1	1
15	SCREW- Hex (#1/4-20 x 13/16)	80573	4	38	SCREW- Truss hd. (6-32 x 3/8)	80548	1
16	RING- Retaining	59029	1	39	BLADE	50685	1
17	DRIVESHAFT	46780	1	40	WASHER- Cupped	46781	1
18	BLADE- Shaft	46782	1	41	NUT- Lock hex	46783	1
19	RING- Retaining	51155	1	42	SHIELD	94433-1	1
20	HANGER	A-94442	1	43	HEAD- Lower	46785-1	1
	Includes:				HARNES (Not shown)	A-50730-B	1
21	SCREW- (10-24 x 1/2)	82260	1		Includes:		
22	PLATE- "ON - OFF"	95231	1		T Plate & Snap Hook	42218	1

ALWAYS FURNISH MODEL AND SERIAL NUMBER WHEN ORDERING PARTS.

ST-400

CARBURETOR A-46986 (HS-207A)



REPAIR KIT — 95698
(Includes 1 - 9)

FIGURE 5

ALWAYS FURNISH MODEL AND SERIAL NUMBER WHEN ORDERING PARTS.

ST-400

TOOLS AND ACCESSORIES

GREASE- Multi-Purpose (8 oz. can)	17193
WRENCH- Combination	A-17348
SLEEVE- Crankshaft seal	23759
PLUG- Needle bearing	23756
WRENCH- Socket screw, 9/64	23528
KEY- Hex, 3/16	22061
PLIERS- Retaining ring	22828
PLUG- Needle bearing	23757
PLUG- Seal	23758
WRENCH- Spanner (clutch)	A-23934
Includes:	
PIN (3)	23954
SLEEVE- Seal	23800
BLADE- Saw (optional)	55455
TOOL- Piston pin	A-23949
Includes:	
"O" RING	67900
BRACKET- Rotor remover	A-24290
REEL- Rope (250 ft.)	57084-1
TUBING- Rubber (10 ft.)	93112-99
GLIDE- Trim	D-94429
SHIM- Plastic (Black .012)	24306

HOMELITE[®]
CONSTRUCTION & INDUSTRIAL EQUIPMENT

14401 Carowinds Blvd. • P.O. Box 7047 • Charlotte, North Carolina 28217

Leon's Chainsaw Parts & Repair
Do Not Sell or Reproduce

00801YY