

PART NO. 18022

Printed in U.S.A.

Extra Copies 35¢

HOMELITE® PARTS LIST



ST-30
(UT21523)

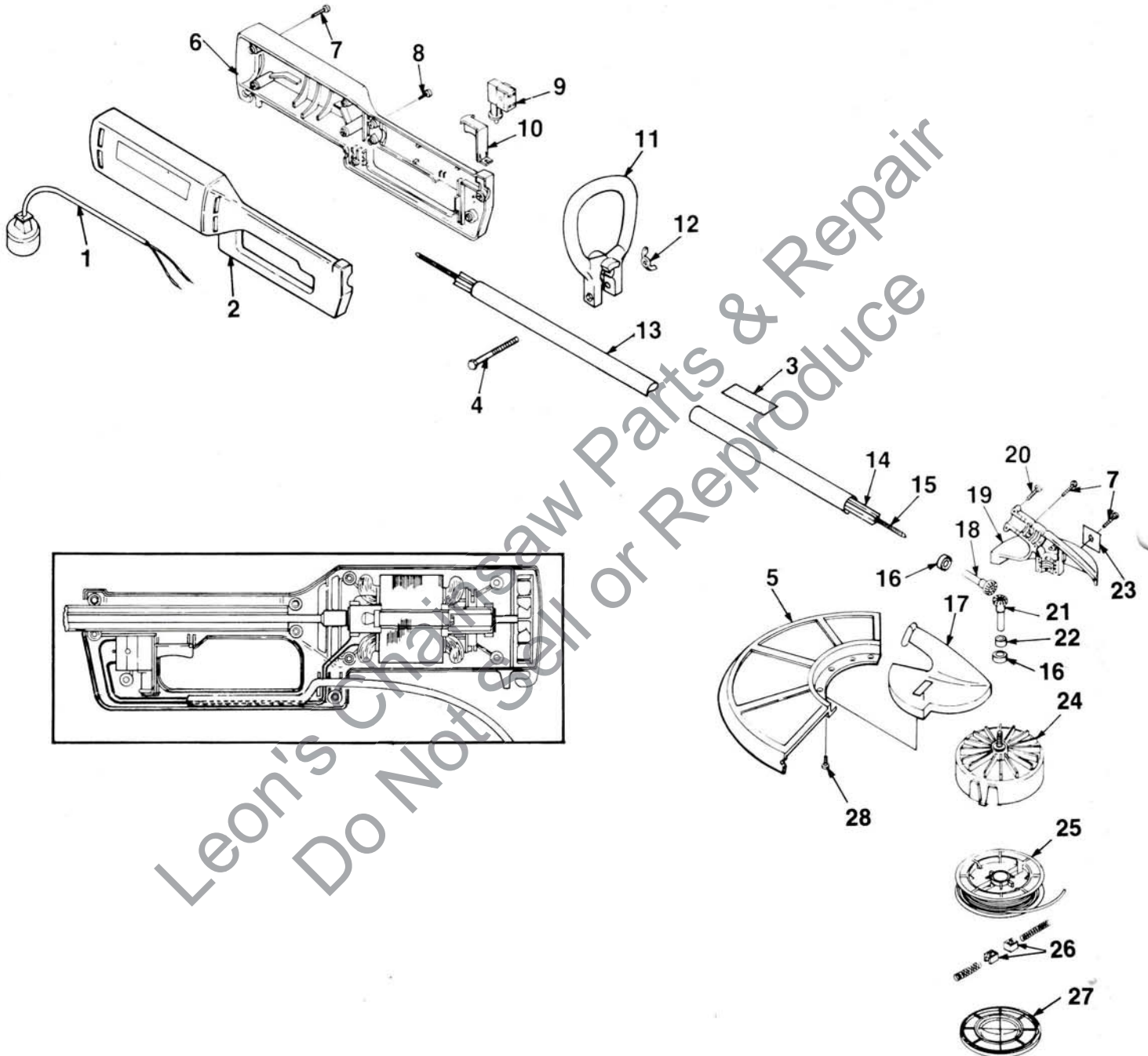
ST-30C
(UT21529)

**ELECTRIC
STRING
TRIMMERS**

HOMELITE **TEXTRON**

Homelite Division of Textron Inc.

ILLUSTRATION 1



PARTS LIST - ILLUSTRATION 1

NO.	DESCRIPTION	PART NO.	QTY.
1	CORD SET	98720-A	1
2	HOUSING- Motor (right)	98980	1
	HOUSING- Motor (right) ST-30C	98980-1	1
3	LABEL- Warning	00308	1
4	SCREW- Hex hd. 1/4-20 x 2	80295	1
5	STRING GUARD w/Cut-off blade	A-00639	1
6	HOUSING- Motor (left)	98979	1
	HOUSING- Motor (left) ST-30C	98979-1	1
7	SCREW- Thd. forming 10-16 x 3/4	94065	4
8	SCREW- Thread forming #10-16 x 9/16	93243	6
9	SWITCH	95547-A	1
10	TRIGGER- Switch	98983	1
11	HANDLE- Front	00065	1
12	NUT- Wing	93992	1
13	TUBE	98978	1
14	TUBE- Liner	00002	1
15	SHAFT- Flexible	00003-A	1
16	BEARING	98843	2
17	HOUSING- Gear (Right)	98988-A	1
18	GEAR- Drive	98990-A	1
19	HOUSING- Gear (Left)	98987-A	1
20	SCREW	82526	8
21	GEAR- Driven	98989-A	1
22	BEARING- Flange	00441	1
23	BLADE	00781	1
24	STRINGHEAD & EYELET ASSY. w/ Drive Connector	A-00766	1
25	SPOOL & STRING Includes:	DA-00825	1
26	SLIDE & SPRING KIT	A-00826	1
27	RETAINER- Spool	95137-1	1
28	SCREW- Thread forming #10-14 x 1/2	82524	5

HEADQUARTERS

HOMELITE DIVISION OF TEXTRON INC.

P.O. BOX 7047
14401 CAROWINDS BOULEVARD
CHARLOTTE, N.C. 28241

OVERSEAS OFFICES

HOMELITE DIVISION OF TEXTRON INC.
Korenaarstraat 1
2153 BM Nieuw Vennep
The Netherlands

HOMELITE DIVISION OF TEXTRON LTD.
Unit 22, Hither Trading Estate
Clevedon, Avon, U.K. BS21 6XU

HOMELITE DIVISION OF TEXTRON INC.
Pacific Limited
P.O. BOX 209
Blackburn, 3130
Victoria, Australia

CANADIAN OFFICES

HOMELITE DIVISION OF TEXTRON INC.
1850 55th Avenue
Lachine, Quebec, Canada
H8T-3J5

3260 Viking Way
Richmond, British Columbia
V6V 1N6

16520, 111th Avenue
Edmonton, Alberta
T5M 3V8

37 Densley Avenue
Toronto, Ontario
M6M 2P5

45 Brandon Street
Moncton, New Brunswick
E1C 7E7

HOMELITE **TEXTRON**

Homelite Division of Textron Inc.