

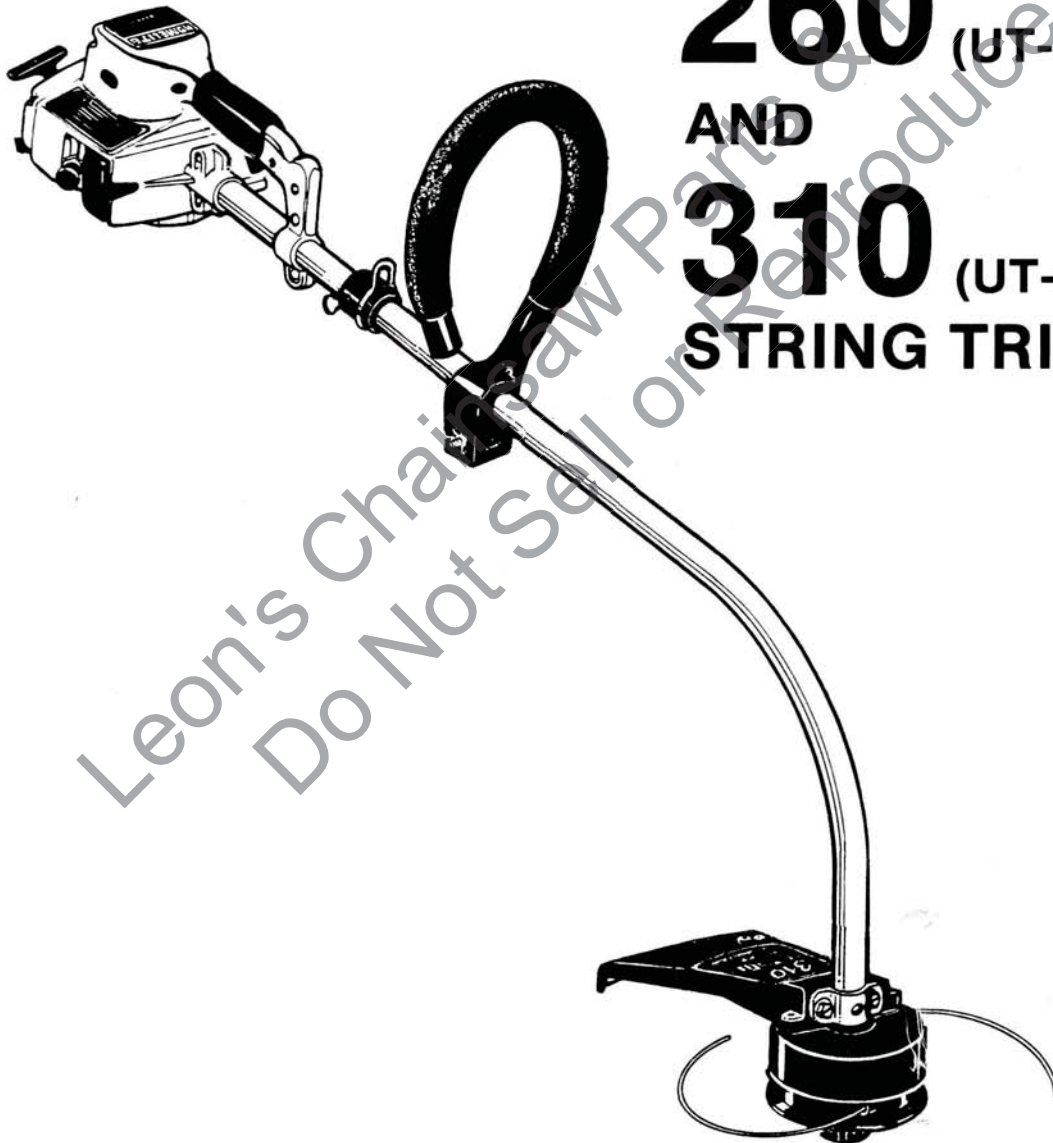
HOMELITE[®]
JACOBSEN

PART NO. 17878

Printed in U.S.A.

Price 35¢

PARTS LIST



260 (UT-20537)

AND

310 (UT-20538)

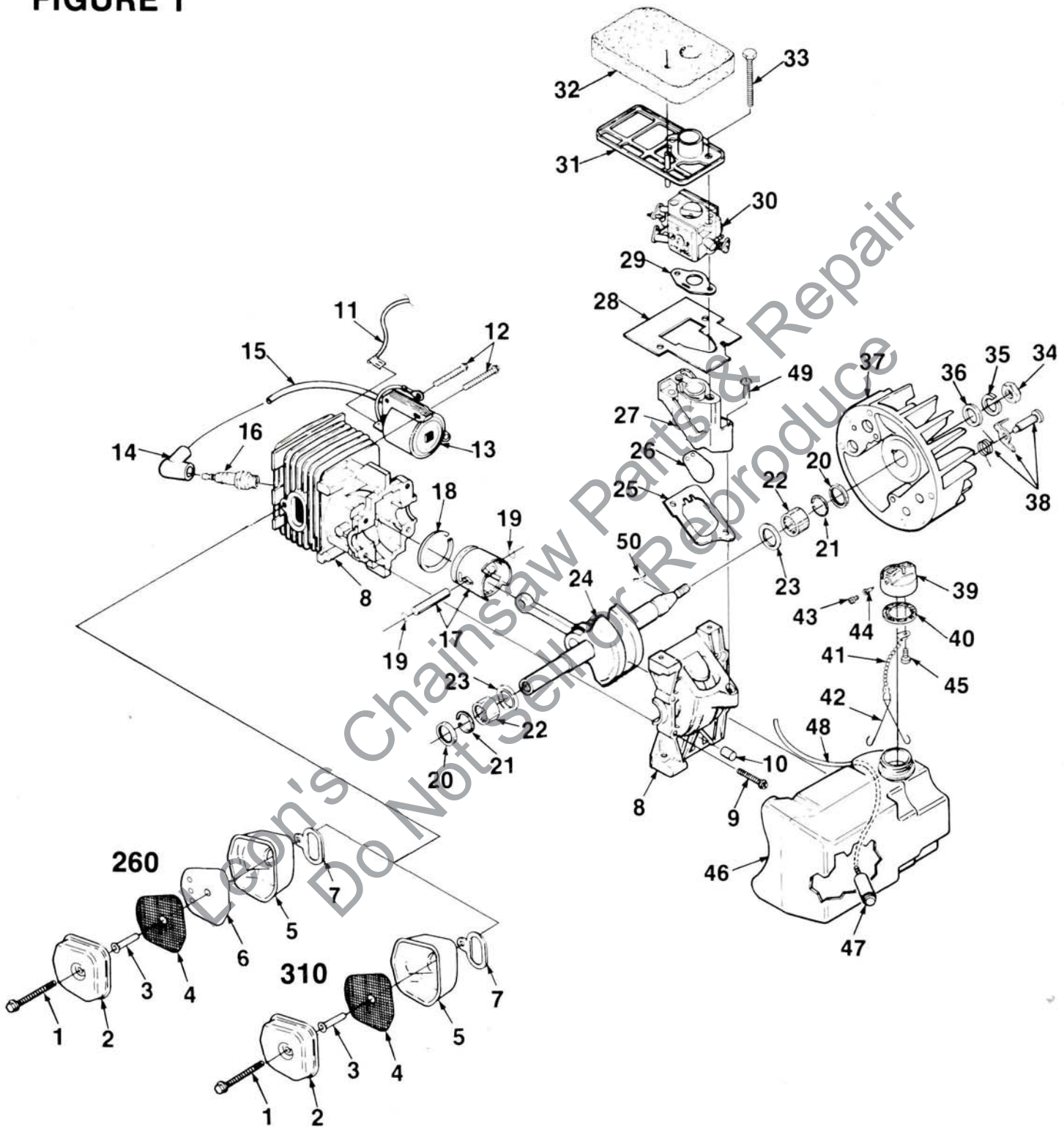
STRING TRIMMERS

HOMELITE **TEXTRON**

Homelite Division of Textron Inc.

260 AND 310 STRING TRIMMERS

FIGURE 1



ALWAYS FURNISH MODEL AND SERIAL NUMBER WHEN ORDERING PARTS

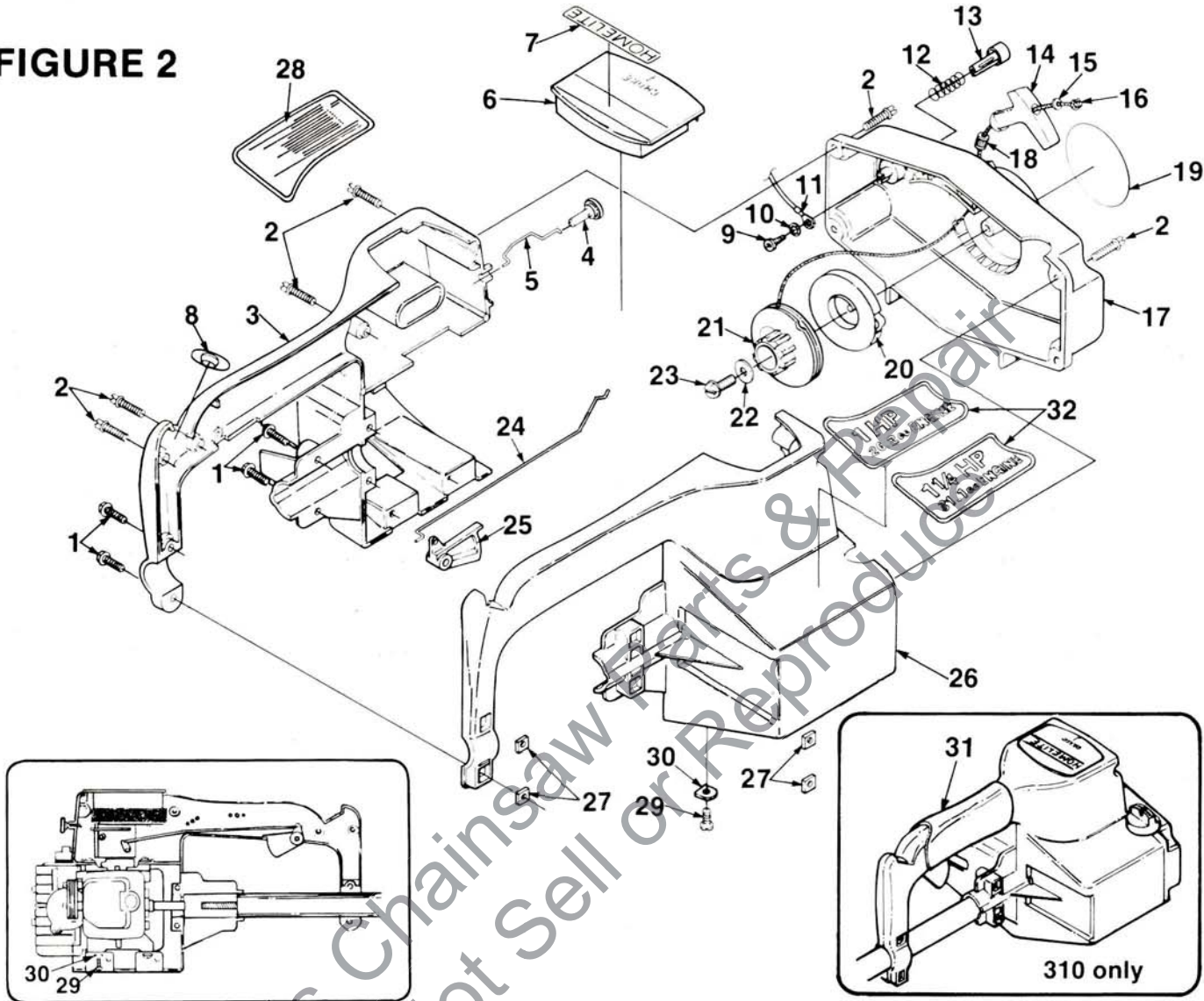
260 AND 310 STRING TRIMMERS

NO.	DESCRIPTION	PART NO.			NO.	DESCRIPTION	PART NO.		
			260	310				260	310
	MUFFLER- Assembly (Complete)	A-97621-A	1		23	WASHER- Thrust	95492	2	2
	MUFFLER- Assembly (Complete)	A-97963		1	24	CRANKSHAFT ASSEMBLY	A-97954	1	1
	Includes:				25	GASKET	93884-A	1	1
1	SCREW	93460	1	1	26	REED	95983	1	1
2	CAP- Muffler	97634	1	1	27	SPACER- Carburetor	A-97571	1	1
3	SPACER- Muffler (long)	93983-08	1	1	28	BAFFLE- Air	94403-B	1	1
4	SCREEN- Spark	93991-A	1	1	29	GASKET- Carburetor	93505-B	1	1
5	BODY- Muffler	93986	1	1	30	CARBURETOR- Walbro	A-98502	1	1
6	BAFFLE- Muffler (260 only)	48161-A	1		31	SUPPORT- Air filter	94457-A	1	1
7	GASKET- Muffler	93801	1	1	32	FILTER- Air	94456	1	1
8	CYLINDER & CRANKCASE	A-98624-A	1		33	SCREW- Hex 10-24 x 1 3/4	88056	2	2
	CYLINDER & CRANKCASE	A-98623	1		34	NUT- Rotor	81117	1	1
	Includes:				35	WASHER- Lock	83002	1	1
9	SCREW	88044	4	4	36	WASHER	84065	1	1
10	BUMPER- Rubber	97950	1	1	37	ROTOR & STARTER PAWL	A-95007	1	1
11	LEAD- Electrical (to stop button) (See Fig. 2, index #11)	A-97928	1			Includes:			
12	SCREW- Hex 8-32 x 3/4	82248	2	2	38	STARTER PAWL KIT	A-70285-D	1	1
13	MODULE- Ignition	94711-A	1	1	39	CAP- Fuel	A-96957-A	1	1
	Includes:					Includes:			
14	TERMINAL- Hi-tension	A-33056	1	1	40	GASKET- Filler cap	94494	1	1
15	LEAD- High tension	69326	1	1	41	BEAD- Chain	69502	1	1
16	PLUG- Spark DJ7Y	96169-S	1	1	42	RETAINER	96535	1	1
17	PISTON & PIN ASSEMBLY	A-69393	1	1	43	FILTER- Fuel cap	69454	1	1
	PISTON & PIN ASSEMBLY	A-70224-A	1		44	VALVE	69451	1	1
	Includes:				45	SCREW- Pan hd.	82256-A	1	1
18	PISTON RING (See Note 1)	69312	1		46	TANK- Fuel	A-94462-D	1	1
	PISTON RING (Alternate source)	69312-1A	1			Includes:			
	PISTON RING (Primary source)	70205	1		47	FILTER- Fuel	96639-1	1	1
	PISTON RING (Alternate source)	93165	1		48	LINE- Fuel	70310-40	1	1
19	RING- Piston pin retaining	65261	2	2	49	SCREW- Mach. Pan hd.	93934	2	2
20	SEAL- Main	94638	2	2	50	KEY- Woodruff	69250	1	1
21	SPACER- Seal	68514	2	2					
22	NEEDLE- Bearing	12530	2	2					

NOTE 1: Use 96935 Piston Ring for units with Pineless Pistons.

260 AND 310 STRING TRIMMERS

FIGURE 2

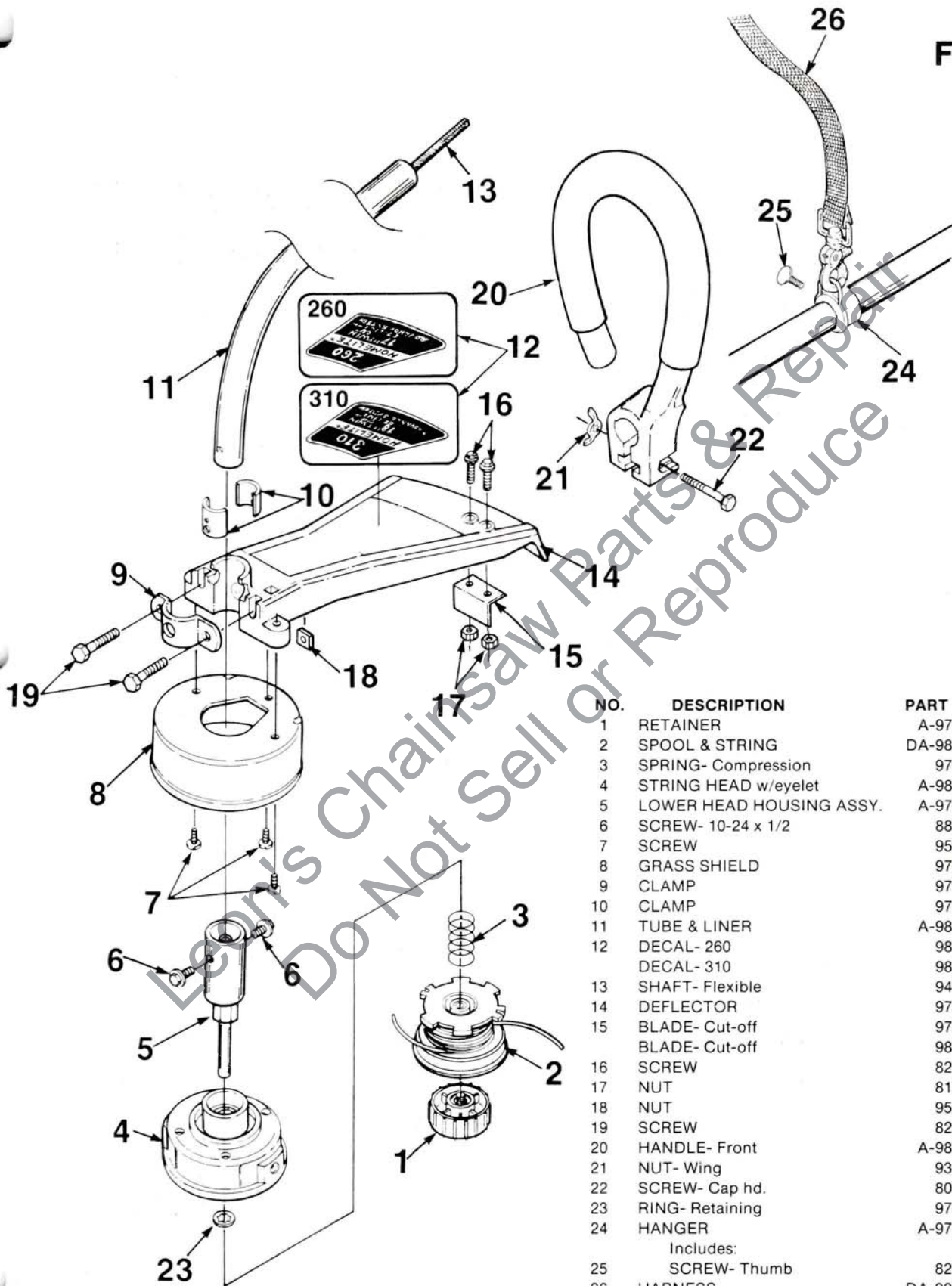


NO.	DESCRIPTION	PART NO.	260	310	NO.	DESCRIPTION	PART NO.	260	310
1	SCREW- 10-22 x 3/4 hex hd.	82220	4	4	17	HOUSING- Starter	A-98025	1	1
2	SCREW	82368	12	12		Includes:			
3	ENGINE HOUSING (right)	A-97997	1	1	18	BUSHING- Starter housing	A-97796	1	1
	Includes:				19	DECAL- 310 Starter	98161		1
4	BUTTON- Choke	97995	1	1		DECAL- 260 Starter	98165	1	
5	ROD- Choke	97996	1	1	20	SPRING- Rewind	A-97908	1	1
6	COVER- Filter	A-94489	1	1	21	PULLEY- Starter	97768	1	1
	Includes:				22	WASHER	94062	1	1
7	DECAL	78290	1	1	23	SCREW	70771	1	1
8	PLUG- Unthreaded	96591	1	1	24	ROD- Throttle	94435-A	1	1
9	SCREW	93923	1	1	25	TRIGGER	94452-A	1	1
10	WASHER- Lock 5/16	83004	1	1	26	HOUSING- Engine (left)	97570	1	1
11	LEAD- Electrical (see Fig. 1, index # 11)	A-97928	1	1	27	NUT	97574	4	4
12	SPRING- Compression	97929	1	1	28	DECAL- Starter instruction	98163	1	1
13	BUTTON- Stop	97925	1	1	29	SCREW- Torx	96987	4	4
14	GRIP- Starter	70211	1	1	30	WASHER	96984	4	4
15	WASHER- Flat 3/8"	84025	1	1	31	PAD- Rubber	98513		1
16	ROPE- Starter 46" #3 1/2	97899	1	1	32	DECAL- 1 HP 26.2 cc Engine	98167	1	
						DECAL- 1 1/4 HP 31.1 cc Engine	98168		1

ALWAYS FURNISH MODEL AND SERIAL NUMBER WHEN ORDERING PARTS

260 AND 310 STRING TRIMMERS

FIGURE 3



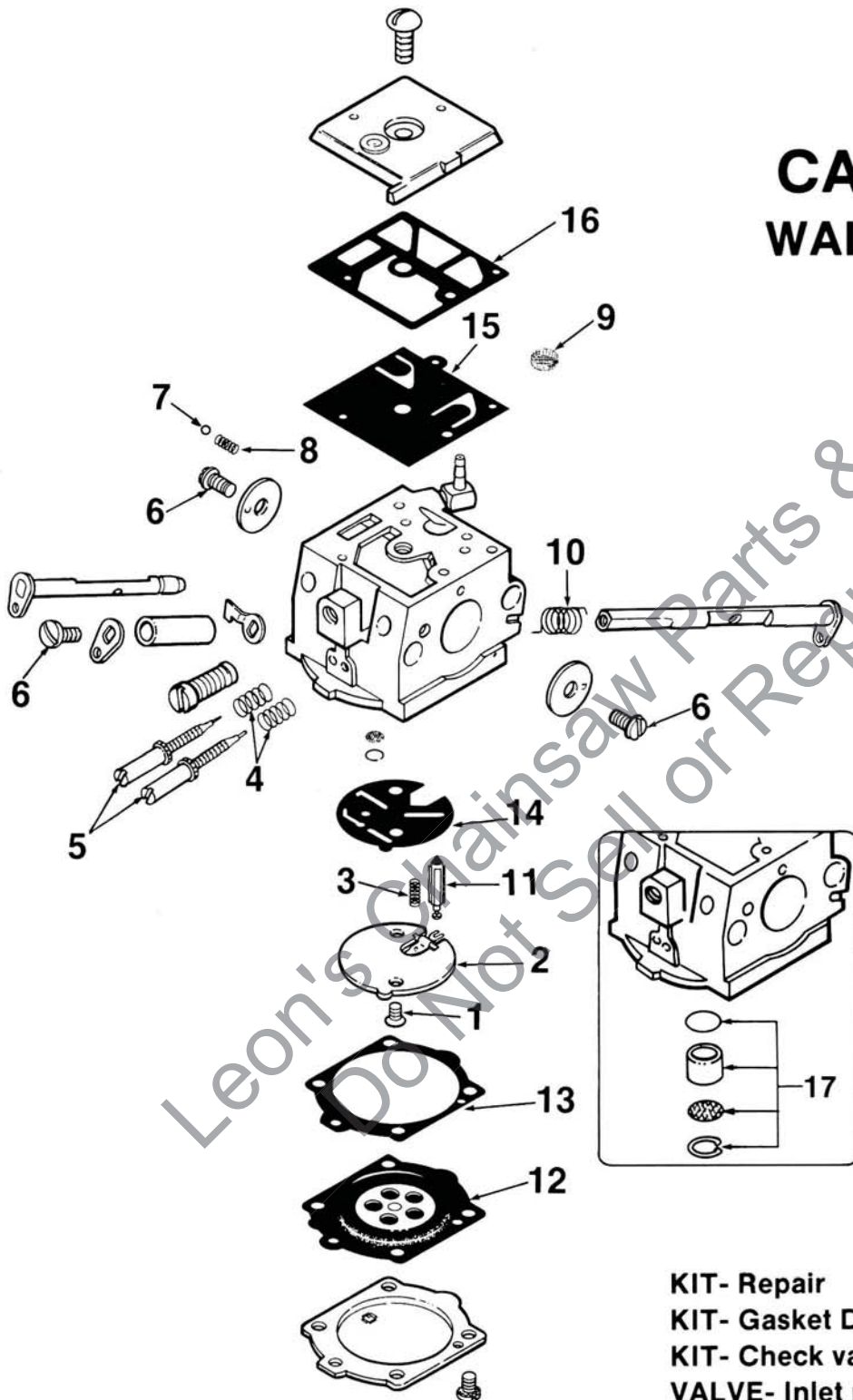
NO.	DESCRIPTION	PART NO.	260	310
1	RETAINER	A-97910	1	1
2	SPOOL & STRING	DA-98501	1	1
3	SPRING- Compression	97920	1	1
4	STRING HEAD w/eyelet	A-98231	1	1
5	LOWER HEAD HOUSING ASSY.	A-97969	1	1
6	SCREW- 10-24 x 1/2	88077	2	2
7	SCREW	95198	3	3
8	GRASS SHIELD	97712-B	1	1
9	CLAMP	97363-A	1	1
10	CLAMP	97572	2	2
11	TUBE & LINER	A-98517	1	1
12	DECAL- 260	98162	1	
	DECAL- 310	98164		1
13	SHAFT- Flexible	94406-A	1	1
14	DEFLECTOR	97362-B	1	1
15	BLADE- Cut-off	97933	1	
	BLADE- Cut-off	98170		1
16	SCREW	82220	2	2
17	NUT	81206	2	2
18	NUT	95213	2	2
19	SCREW	82501	2	2
20	HANDLE- Front	A-98525	1	1
21	NUT- Wing	93992	1	1
22	SCREW- Cap hd.	80295	1	1
23	RING- Retaining	97938	1	1
24	HANGER	A-97442	1	
	Includes:			
25	SCREW- Thumb	82260	1	
26	HARNES	DA-92703	1	

ALWAYS FURNISH MODEL AND SERIAL NUMBER WHEN ORDERING PARTS

**260 AND 310
STRING TRIMMERS**

**CARBURETOR
WALBRO (HDC-80)**

A-98502



- | | |
|-----------------------|---------------|
| KIT- Repair | 98014 (1-16) |
| KIT- Gasket Diaphragm | 93754 (12-16) |
| KIT- Check valve | 98498 (#17) |
| VALVE- Inlet needle | 64229 (#11) |

ALWAYS FURNISH MODEL AND SERIAL NUMBER WHEN ORDERING PARTS

ACCESSORIES & TOOLS

DA-98501	REPLACEMENT (Spool & String)
DA-97952-A	100' FT. LINE (only)
24823	SILASTIC
22486	SHIM (015")
A-24747-A	ROTOR PULLER
	Includes:
81196	NUT
80288	BOLT
23488-C	COMPOUND- Thread locking
70310-99	LINE- Fuel (10')
98052	STARTER CORD (250' Reel #3 1/2)
JA-31316-4	IGNITION TEST SPARK PLUG
17789	CARBURETOR REPAIR TOOL KIT
17193	MULTI-PURPOSE GREASE
24982-01	TORX DRIVER BIT (1/4" Shank)
24982-02	TORX DRIVER BIT (5/16" Shank)

HOMELITE DIVISION OF TEXTRON INC.

P.O. Box 7047
14401 Carowinds Boulevard
Charlotte, N.C. 28217

OVERSEAS OFFICES

HOMELITE DIVISION OF TEXTRON INC.

Korenaarstraat I
2153 BM Nieuw Vennepe
The Netherlands

HOMELITE DIVISION OF TEXTRON INC.

Pacific Limited
P.O. BOX 209
Blackburn, 3130
Victoria, Australia

Leon's Chainsaw Parts & Repair
Do Not Sell or Reproduce

05821RY

HOMELITE **TEXTRON**

Homelite Division of Textron Inc.