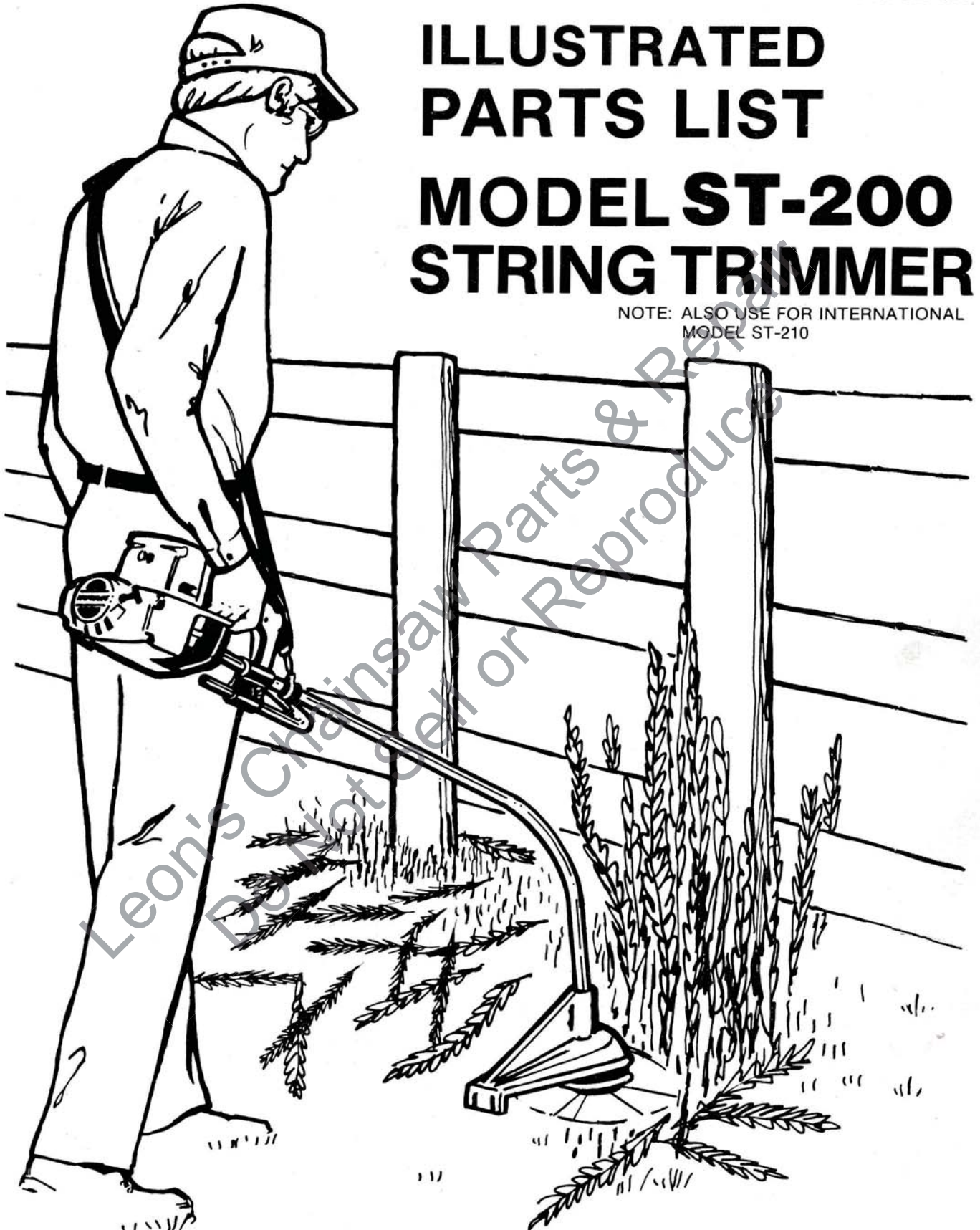


PART NO. 17435  
PRINTED IN U.S.A.  
PRICE 35¢

# ILLUSTRATED PARTS LIST MODEL ST-200 STRING TRIMMER

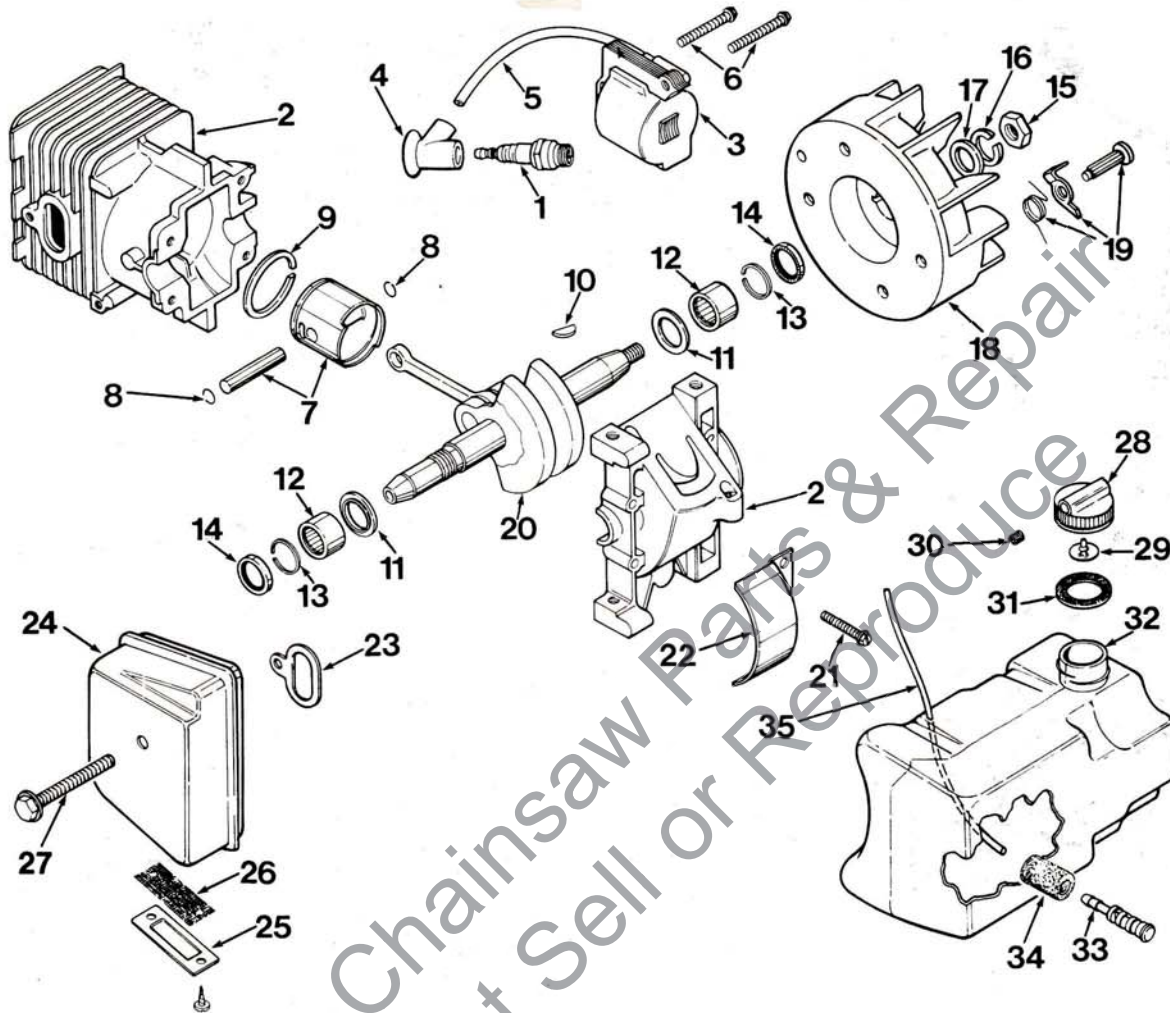
NOTE: ALSO USE FOR INTERNATIONAL  
MODEL ST-210



**HOMELITE** **TEXTRON**

Homelite Division of Textron Inc.

**FIGURE 1**

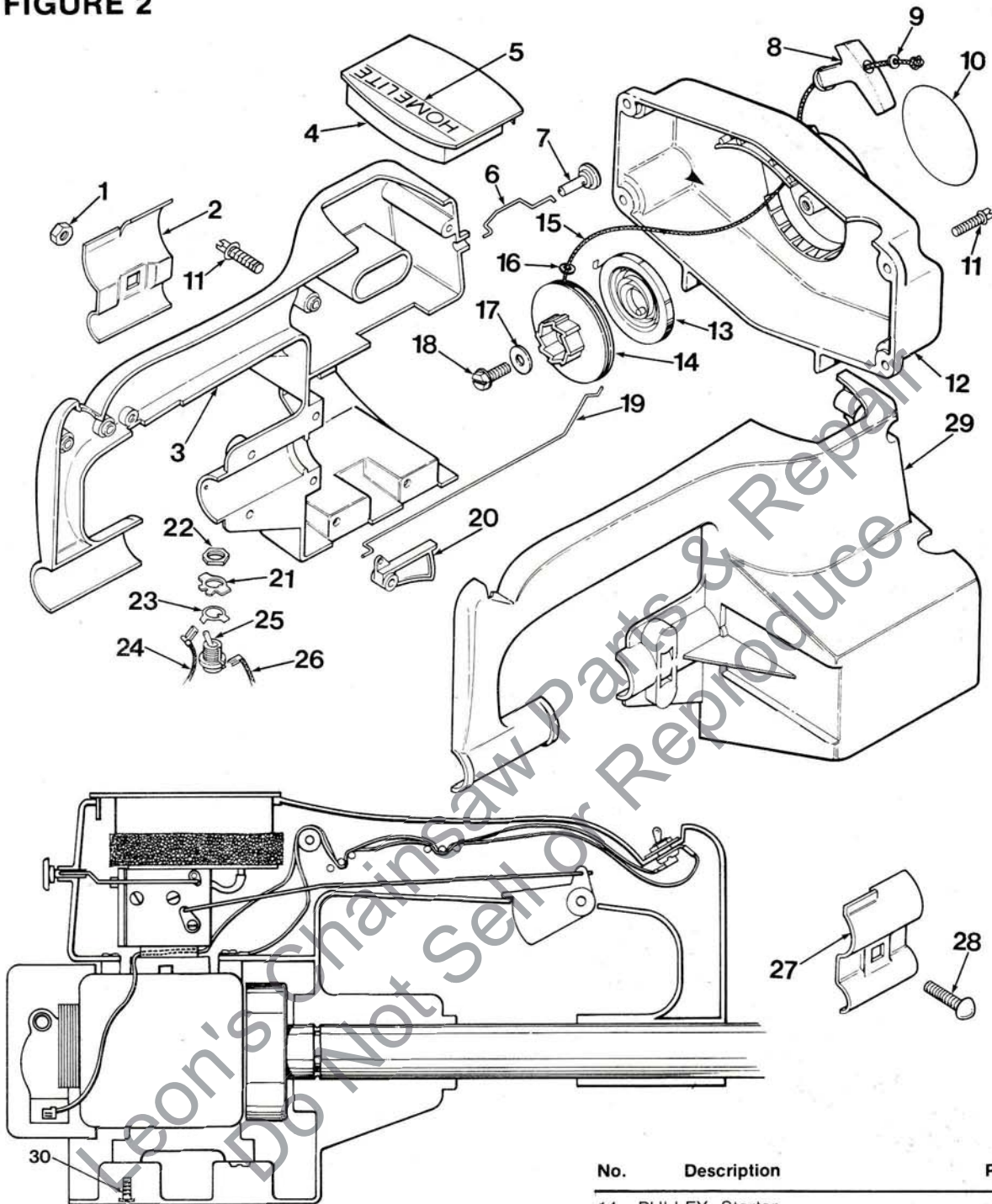


No.	Description	Part No.	Qty.	No.	Description	Part No.	Qty.
1	SPARK PLUG	68616-S	1	20	CRANKSHAFT	A-94712	1
2	CRANKCASE & CYLINDER	A-94460	1	21	SCREW- Hex, sems 8-32 x 1	88044	4
3	MODULE- Ignition	A-94711		22	SHROUD	94458	1
	Includes:			23	GASKET- Muffler	93801	1
4	TERMINAL- Spark plug	A-33055	1	24	MUFFLER	A-94419-1	1
5	LEAD- High tension (Note 1)	69326	1	25	SPARK ARRESTOR	A-94478	1
6	SCREW- Hex 8-32 x 3/4	82248	2		Includes:		
7	PISTON & PIN	A-70224-A	1	26	SCREEN- Spark	94484	1
	Includes:				SCREW (Purchase Locally)		2
8	RING- Piston pin retaining	65261	2	27	SCREW- 10-24 x 1 3/4 Hex, Sems	88056	1
9	PISTON RING	70205	1	28	CAP- Fuel	A-94495	1
10	KEY	69250	1		Includes:		
11	WASHER- Thrust	69093-A	2	29	VALVE- Check	94531-1	1
12	BEARING- Needle	12530	2	30	FILTER	69454	1
13	SPACER- Seal	69407	2	31	GASKET- Fuel cap	94494	1
14	SEAL	94638	2	32	TANK- Fuel	94445-1	1
15	NUT- Lock	81117	1	33	FILTER- Fuel	A-69923	1
16	WASHER- Lock (5/16)	83002	1		Includes:		
17	WASHER	84065-1	1	34	FILTER- Fuel	64083	1
18	ROTOR & PAWLS	A-94717	1	35	TUBING	93157-24	1
	Includes:						
19	KIT- Starter pawl	A-70285-A	1				

NOTE: Cut replacement lead 69326 to 6 1/2".



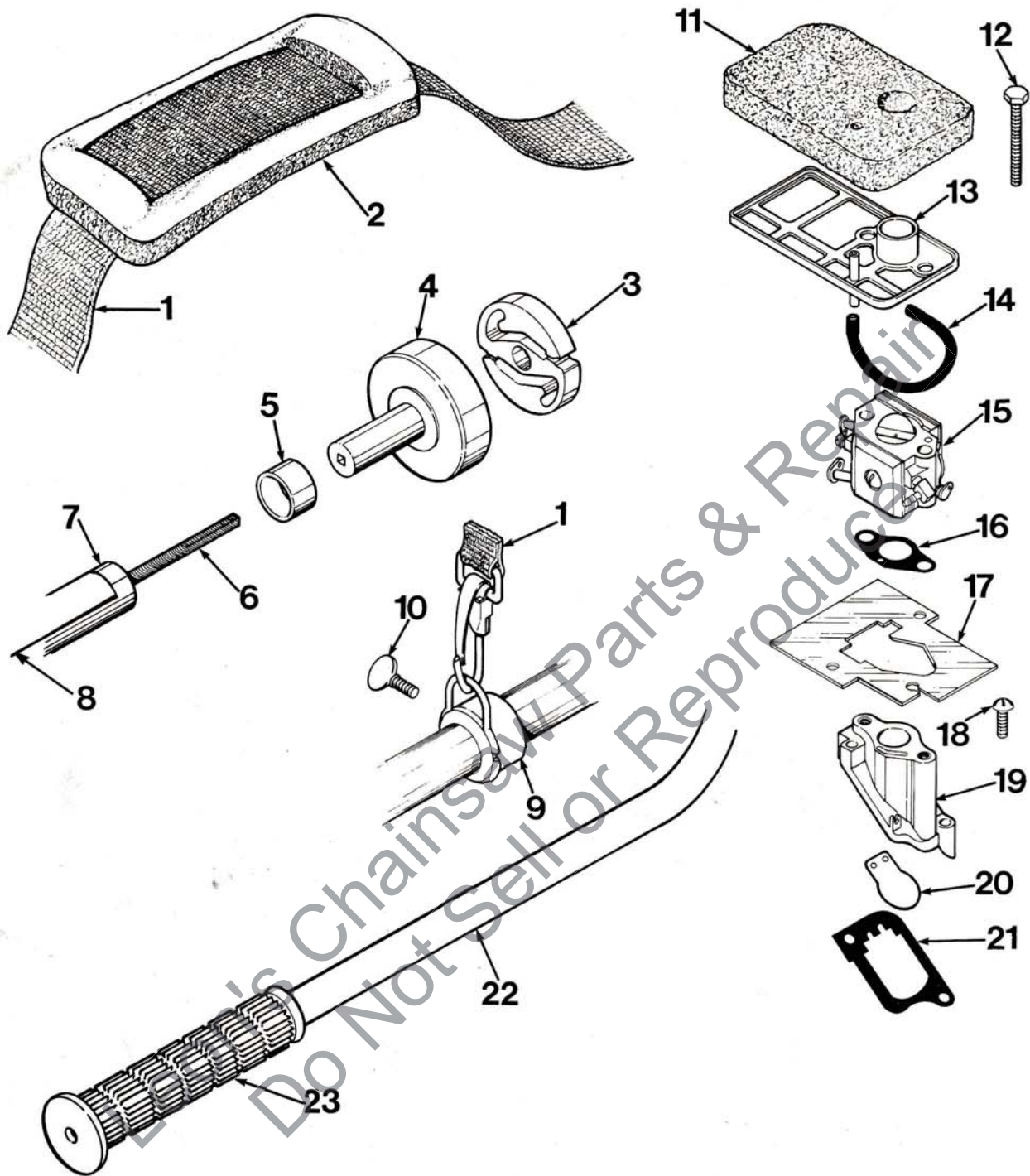
**FIGURE 2**



No.	Description	Part No.	Qty.
1	NUT- Hex 5/16 - 18	81196	1
2	CLAMP- Right	94426	1
3	HOUSING- Engine (right)	94448	1
4	COVER- Filter	A-94489	1
	Includes:		
5	DECAL	78290	1
6	ROD- Choke	94428	1
7	BUTTON- Choke	94451	1
8	GRIP- Starter-rope	70211	1
9	WASHER- Flat	84025	1
10	DECAL- ST-200	94407	1
11	SCREW	82368	14
12	HOUSING- Starter	A-94477	1
13	SPRING- Rewind	69217	1

No.	Description	Part No.	Qty.
14	PULLEY- Starter	69158	1
15	ROPE- Starter #4, 34" long	A-93874	1
	Includes:		
16	WASHER- Nylon	93862	1
17	WASHER- Retaining	94062	1
18	SCREW	70771	1
19	ROD- Throttle	94435	1
20	TRIGGER	94452	1
21	PLATE- Indicating	70839	1
22	NUT	72084-A1	1
23	WASHER- Grounding	95611	1
24	LEAD- Electrical	A-94472	1
25	SWITCH- Toggle	93653	1
26	LEAD- Ground	A-94446	1
27	CLAMP- Left	94424	1
28	BOLT- Rd. hd. 5/16-18 x 1 1/4	82360	1
29	HOUSING- Engine left	94447	1
30	SCREW- 10-24 x 1/2	82393	4

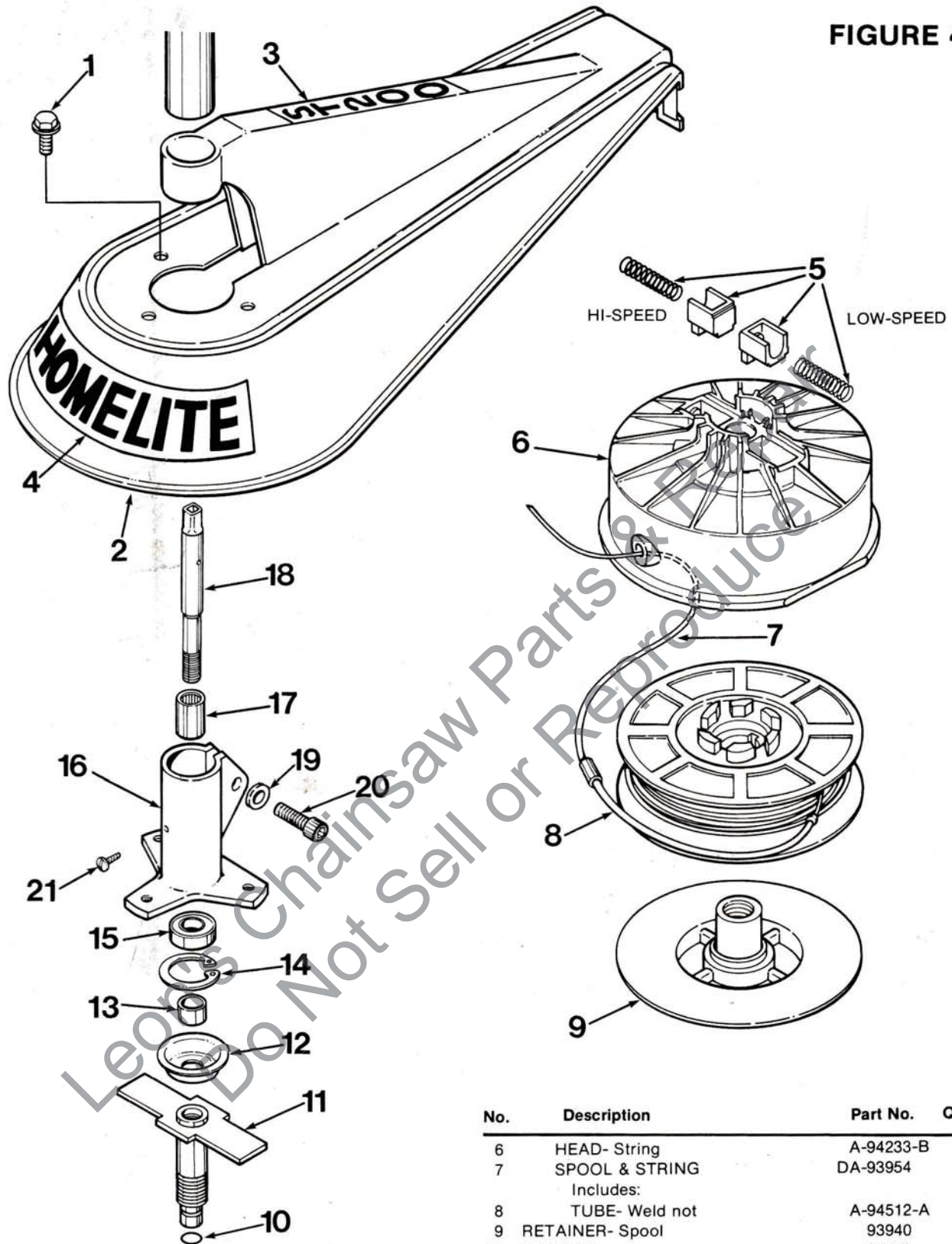
**FIGURE 3**



No.	Description	Part No.	Qty.	No.	Description	Part No.	Qty.
1	HARNES	A-94470	1	12	SCREW- Hex		
	Includes:				10-24 x 1 3/4	88056	2
2	PAD- Harness	94476	1	13	SUPPORT- Air filter	94457	1
3	CLUTCH	A-70351-A	1	14	TUBING- 3 1/2"	70310-14	1
4	DRUM & CONNECTOR	A-94461	1	15	CARBURETOR- HDC-59	A-94444	1
5	BEARING- Sleeve	94437	1	16	GASKET- Carburetor	93505	1
6	SHAFT- Flexible	94406	1	17	BAFFLE- Air	94403	1
7	HOUSING- Shaft	A-94405	1	18	SCREW- Pan hd.	93934	2
8	DECAL- Warning	94471	1	19	SPACER- Carburetor	94454	1
9	HANGER	A-94442	1	20	REED	69146	1
	Includes:			21	GASKET	93884-A	1
10	SCREW- Thumb 10-24 x 1/2	82260	1	22	HANDLE BAR	A-94467	1
11	FILTER	94456	1		Includes:		
				23	GRIP- Handle bar	94474	1



FIGURE 4

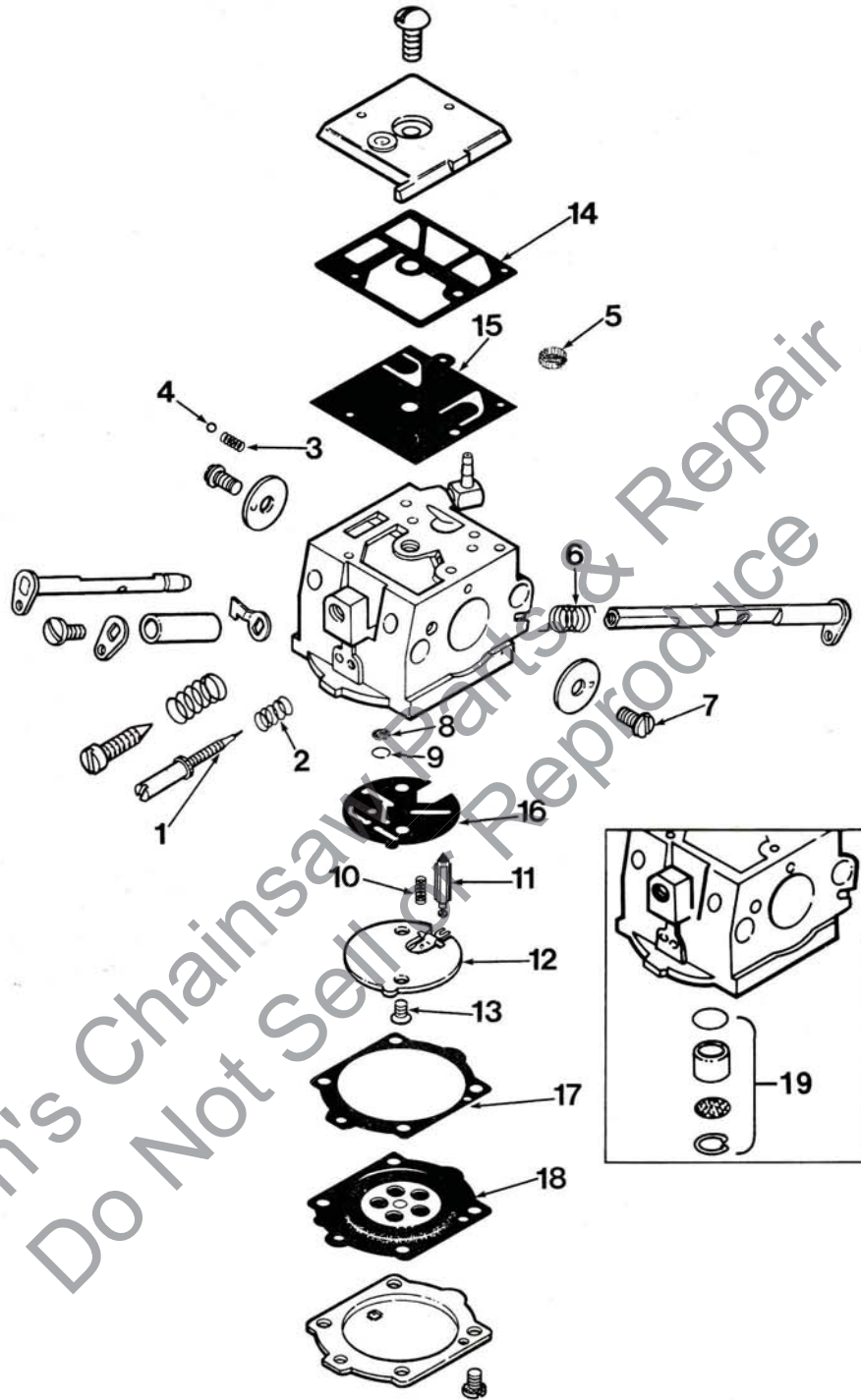


No.	Description	Part No.	Qty.
1	SCREW- 10-24 x 1/2	88049	3
2	COVER- String head	A-94473	1
	Includes:		
3	DECAL- ST-200	95495	1
4	DECAL- Homelite	94500	1
5	KIT- Slide & Spring	A-95689	1
	Includes:		
	SPRING- Hi speed		1
	SLIDE- Hi speed		1
	SLIDE- Low speed		1
	SPRING- Low speed		1

No.	Description	Part No.	Qty.
6	HEAD- String	A-94233-B	1
7	SPOOL & STRING	DA-93954	1
	Includes:		
8	TUBE- Weld not	A-94512-A	1
9	RETAINER- Spool	93940	1
10	"O" RING	94150	1
11	CONNECTOR- Drive	A-94434	1
12	SHIELD- Grass	94409	1
13	SPACER- Bearing	94411	1
14	RING- Retaining	94412	1
15	BEARING- Ball	94421	1
16	HOUSING- Lower head	94413-2	1
17	BEARING- Needle	69638	1
18	SHAFT- Drive	94408	1
19	WASHER- Flat (1/4)	84020	1
20	SCREW- Hex-soc. cap 1/4-20 x 1"	80428-1	1
21	SCREW- 6-32 x 3/8	80548	1

FIGURE 5

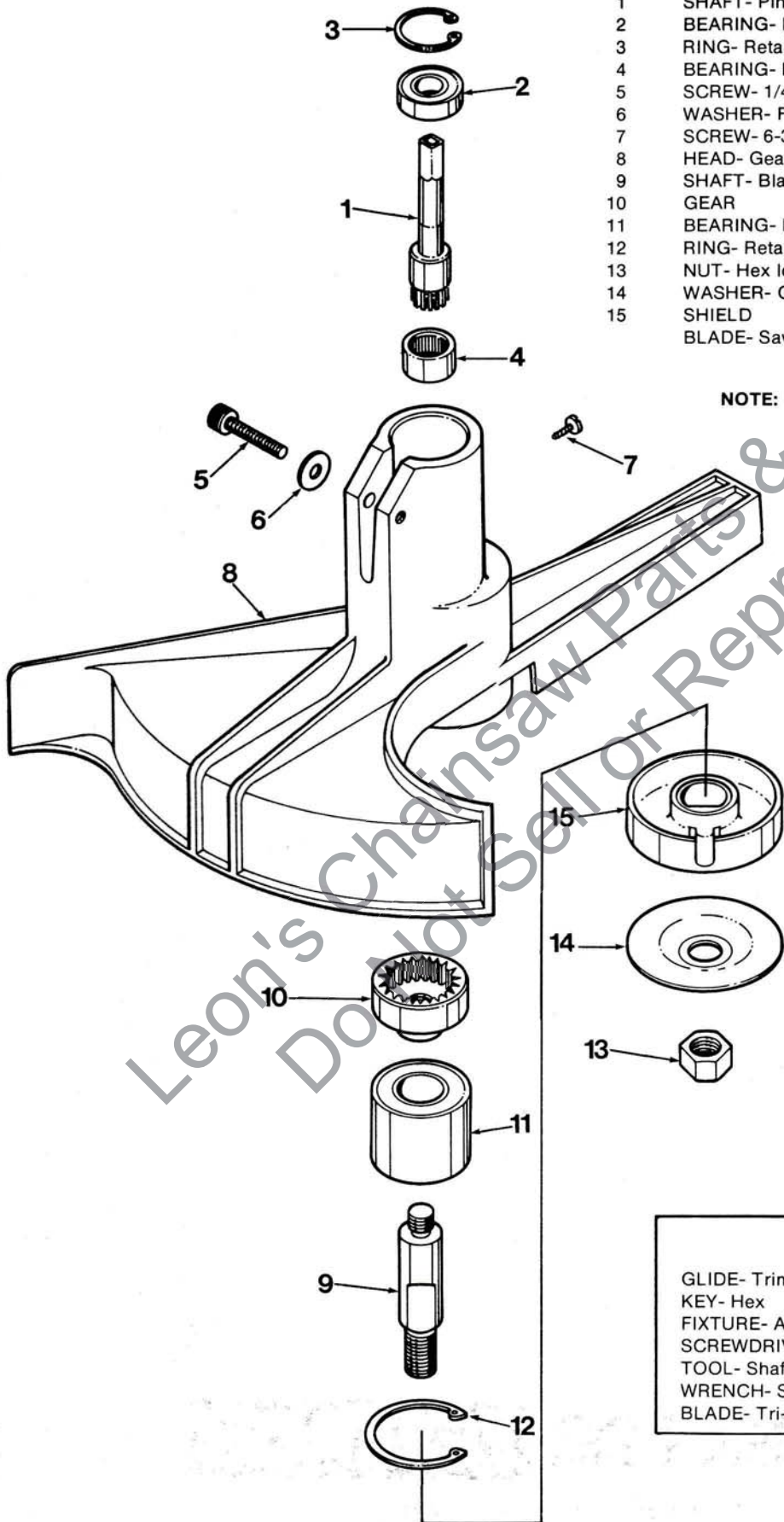
**ST-200**  
**HDC-59**  
**A-94444**



Leon's Chainsaw Parts & Repair  
 Do Not Sell or Reproduce

DESCRIPTION	KEY NO.	PART NO.
CARBURETOR	HDC-59	A-94444
REPAIR KIT	1-18	95341
GASKET/DIAPHRAGM KIT	14-18	70655
CHECK VALVE REPAIR KIT	#19	93910
INLET NEEDLE	#11	64229

No.	Description	Part No.	Qty.
	BRUSHCUTTER KIT	A-94479	1
	Includes:		
1	SHAFT- Pinion	A-94468	1
2	BEARING- Ball (See Note)	94421	1
3	RING- Retaining	94412	1
4	BEARING- Roller	59462	1
5	SCREW- 1/4-20 x 1	80428-1	1
6	WASHER- Flat	84020	1
7	SCREW- 6-32 x 3/8	80548	1
8	HEAD- Gear	94415-2	1
9	SHAFT- Blade	94416	1
10	GEAR	94418-1	1
11	BEARING- Ball	56219-S	1
12	RING- Retaining	28922	1
13	NUT- Hex locking	46783	1
14	WASHER- Cupped	46781	1
15	SHIELD	94433-1	1
	BLADE- Saw	D-94469-1	1



NOTE: Install Bearing with seal toward Gear head.

#### ACCESSORIES

GLIDE- Trim	D-94429
KEY- Hex	94441
FIXTURE- Alignment	94455
SCREWDRIVER	24541
TOOL- Shaft holder	94482
WRENCH- Socket	68651
BLADE- Tri-Arc	D-94422-1



Leon's Chainsaw Parts & Repair  
Do Not Sell or Reproduce

**HOMELITE** **TEXTRON**

Homelite Division of Textron Inc.

0802CJY