

PART NO. 17832

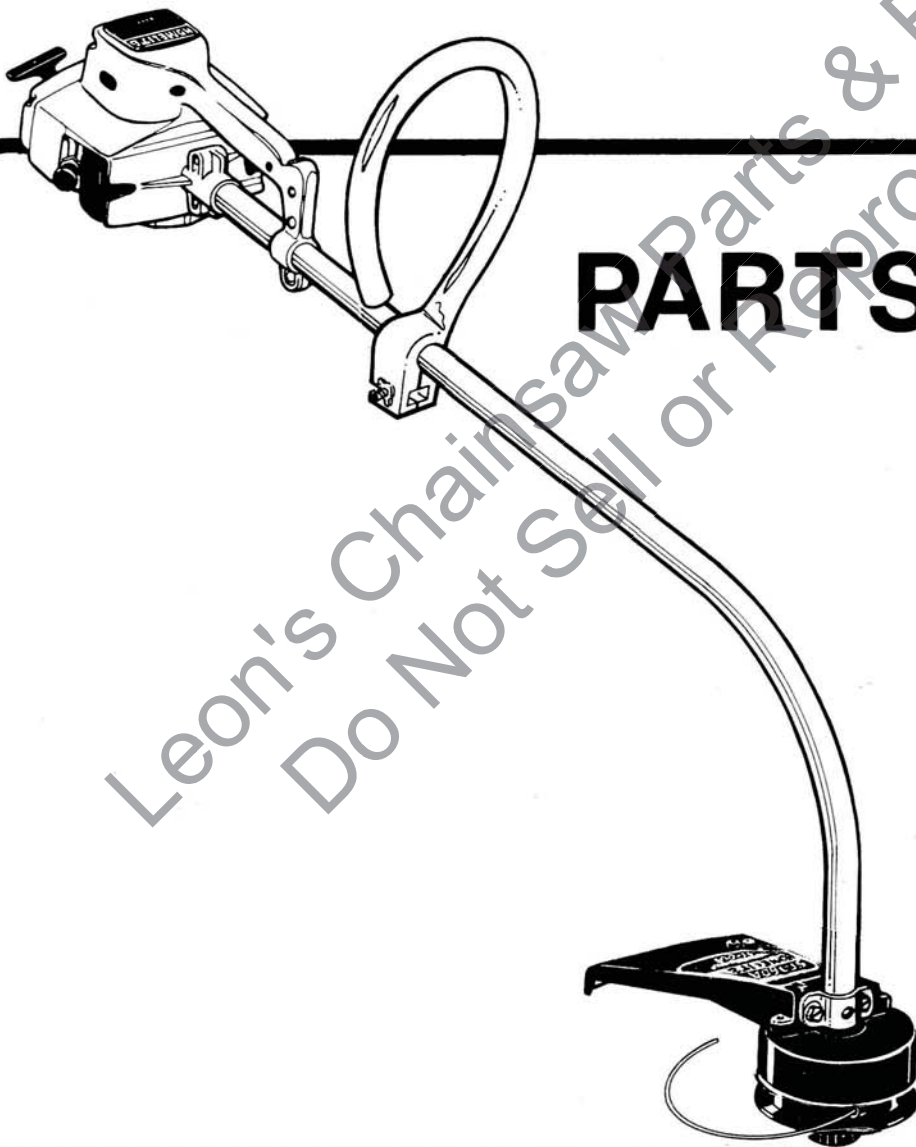
Printed in U.S.A.

Price 35¢

HOMELITE®
JACOBSEN

ST-160A (UT-20534)

STRING TRIMMER



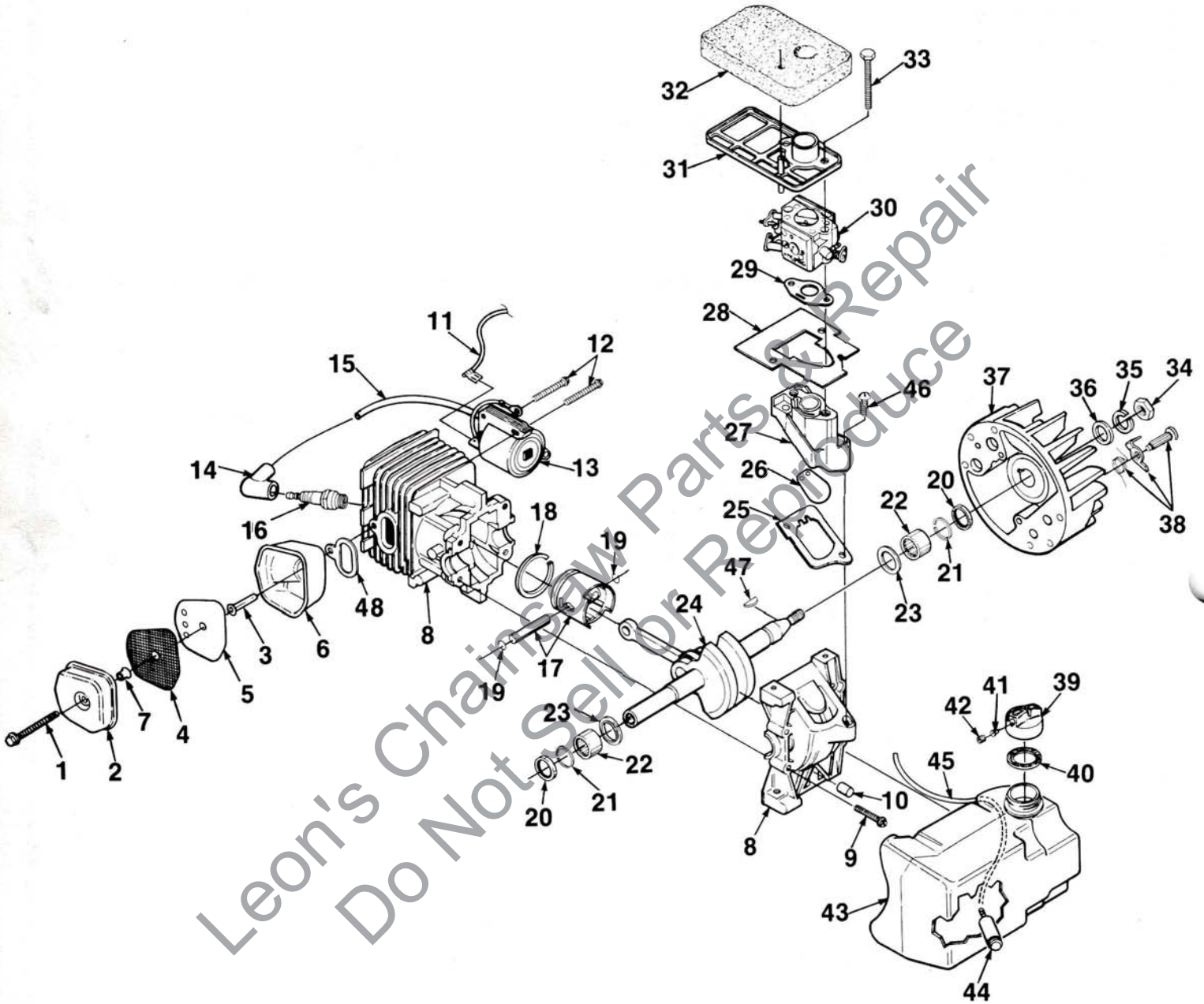
PARTS LIST

HOMELITE **TEXTRON**

Homelite Division of Textron Inc.

ST-160A STRING TRIMMERS

FIGURE 1



ST-160A STRING TRIMMERS

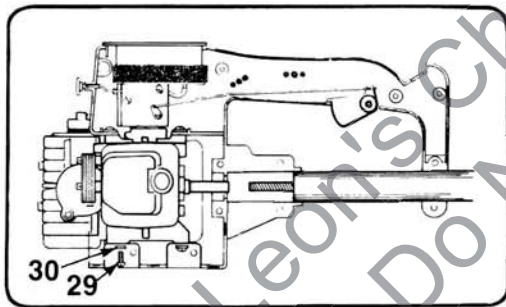
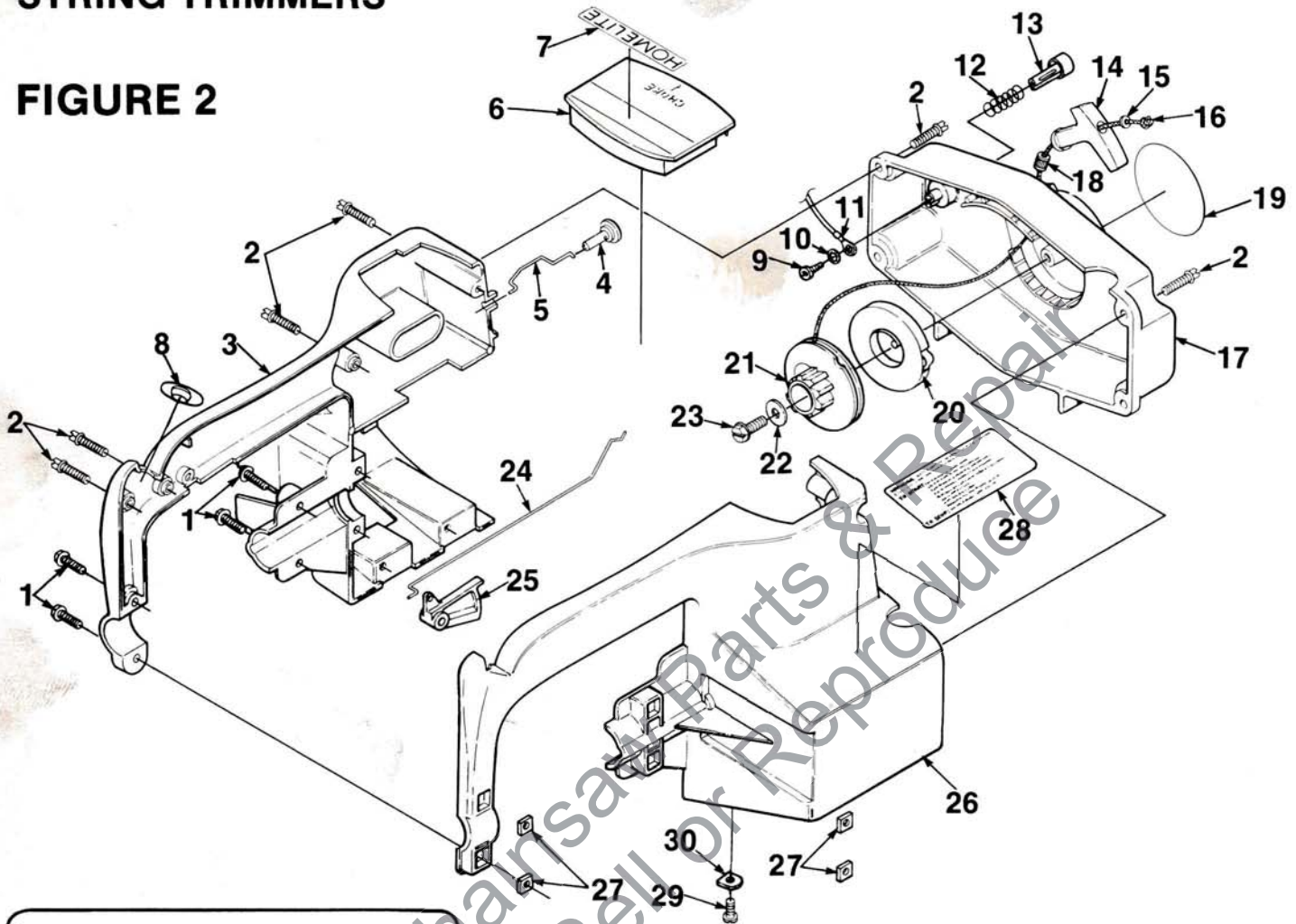
FIGURE 1

NO.	DESCRIPTION	PART NO.	QTY.	NO.	DESCRIPTION	PART NO.	QTY.
	MUFFLER ASSEMBLY- (Complete)	A-97621	1	25	GASKET	93884-A	1
	Includes:			26	REED	95983	1
1	SCREW	93460	1	27	SPACER- Carburetor	97571	1
2	CAP- Muffler	97634	1	28	BAFFLE- Air	94403-B	1
3	SPACER- Muffler (long)	93990	1	29	GASKET- Carburetor	93505-B	1
4	SCREEN- Spark	D-93991	1	30	CARBURETOR- Zama	A-97971	1
5	BAFFLE- Muffler	48161	1		CARBURETOR- Walbro	A-97972	1
6	BODY- Muffler	93986	1	31	SUPPORT- Air filter	94457-A	1
7	SPACER- Muffler (short)	93989	1	32	FILTER- Air	94456	1
8	CYLINDER & CRANKCASE	A-97792-A	1	33	SCREW- Hex 10-24 x 1 3/4	88056	2
	Includes:			34	NUT- Rotor	81117	1
9	SCREW	88044	4	35	WASHER- Lock	83002	1
10	BUMPER- Rubber	97950	1	36	WASHER	84065	1
11	LEAD- Electrical (to stop button) (See Fig. 2, index #11)	A-97928	1	37	ROTOR & STARTER PAWL	A-95007	1
					Includes:		
12	SCREW- Hex 8-32 x 3/4	82248	2	38	STARTER PAWL KIT	A-70285-D	1
13	MODULE- Ignition	94711-A	1	39	CAP- Fuel	A-96553-A	1
	Includes:				Includes:		
14	TERMINAL- Hi-tension	A-33055	1	40	GASKET- Fuel cap	94494	1
15	LEAD- High tension	69326	1	41	VALVE- Check	69451	1
16	PLUG- Spark (DJ7Y)	96169-S	1	42	FILTER- Fuel cap	69454	1
17	PISTON & PIN ASSEMBLY	A-69393	1	43	TANK- Fuel	A-94462-D	1
	Includes:				Includes:		
18	PISTON RING (See Note 1)	69312	1	44	FILTER- Fuel	96639	1
	PISTON RING (Alternate source)	69312-1A	1	45	LINE- Fuel	70310-40	1
19	RING- Piston pin retaining	65261	2	46	SCREW- Mach. Pan hd.	93934	2
20	SEAL- Main	94638	2	47	KEY- Woodruff	69250	1
21	SPACER- Seal	68514	2	48	GASKET- Muffler	93801	1
22	NEEDLE- Bearing	12530	2				
23	WASHER- Thrust	95492	2				
24	CRANKSHAFT ASSEMBLY	A-97954	1				

NOTE 1: Use 96935 Piston Ring for units with Pinless Pistons.

ST-160A STRING TRIMMERS

FIGURE 2

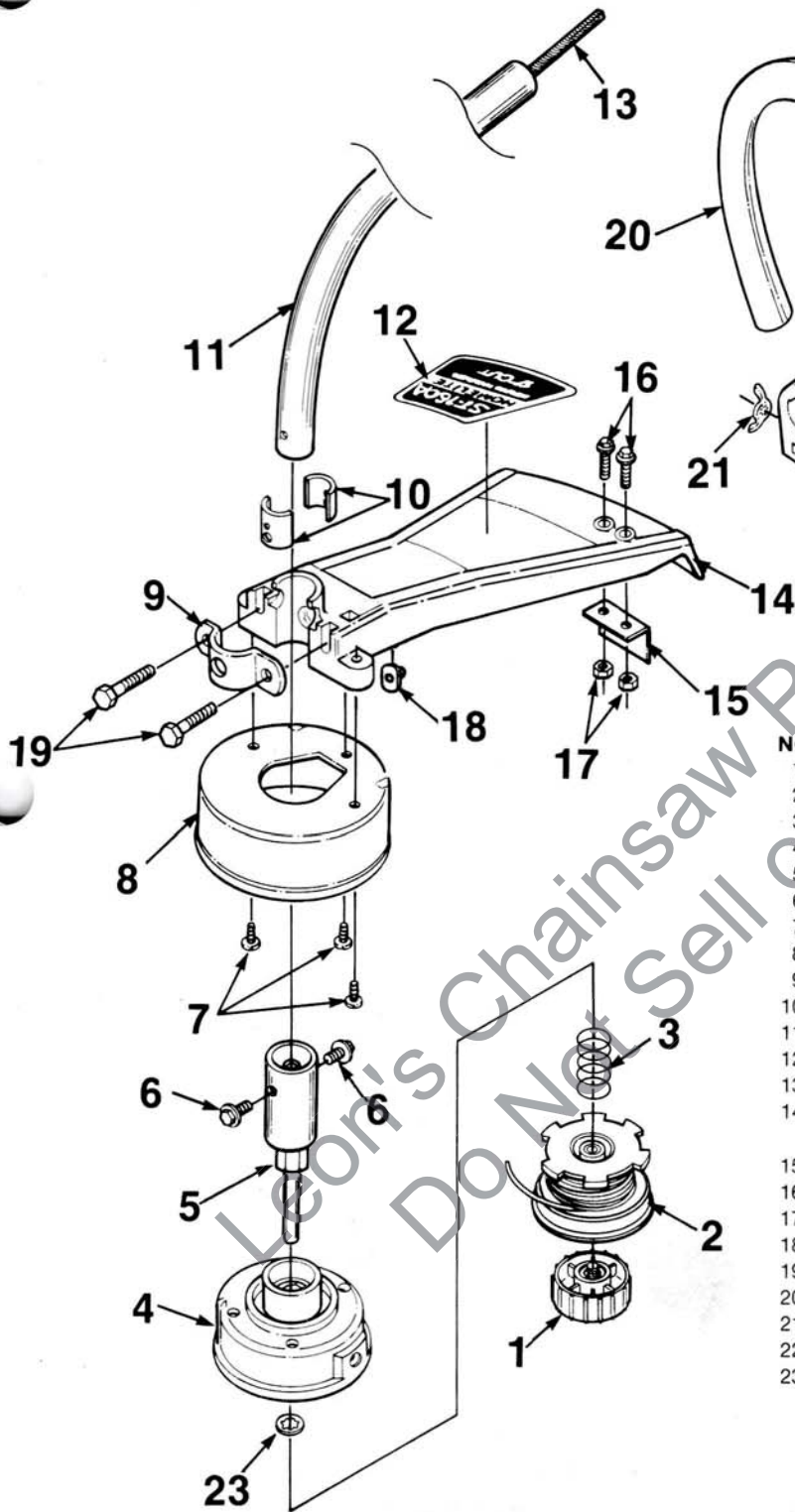


NO.	DESCRIPTION	PART NO.	QTY.
1	SCREW- 10-32 x 3/4 hex hd.	82220	4
2	SCREW	82368	10
3	ENGINE HOUSING (right) Includes:	A-97997	1
4	BUTTON- Choke	97995	1
5	ROD- Choke	97996	1
6	COVER- Filter Includes:	A-94489	1
7	DECAL	78290	1
8	PLUG- Unthreaded	96591	1
9	SCREW	93923	1
10	WASHER	83119	1

NO.	DESCRIPTION	PART NO.	QTY.
11	LEAD- Electrical (see Fig. 1, index # 11)	A-97928	1
12	SPRING- Compression	97929	1
13	BUTTON- Stop	97925	1
14	GRIP- Starter	70211	1
15	WASHER- Flat	84025	1
16	ROPE- Starter	97899	1
17	HOUSING- Starter Includes:	A-98025	1
18	BUSHING- Starter housing	A-97796	1
19	DECAL- 160-A	98038-A	1
20	SPRING- Rewind	A-97908	1
21	PULLEY- Starter	97768	1
22	WASHER	94062	1
23	SCREW	70771	1
24	ROD- Throttle	94435-A	1
25	TRIGGER	94452-A	1
26	HOUSING- Engine (left)	97570	1
27	NUT	97574	4
28	DECAL- Starter instruction	97977-A	1
29	SCREW- Torx	96987	4
30	WASHER	96984	4

ST-160A STRING TRIMMERS

FIGURE 3



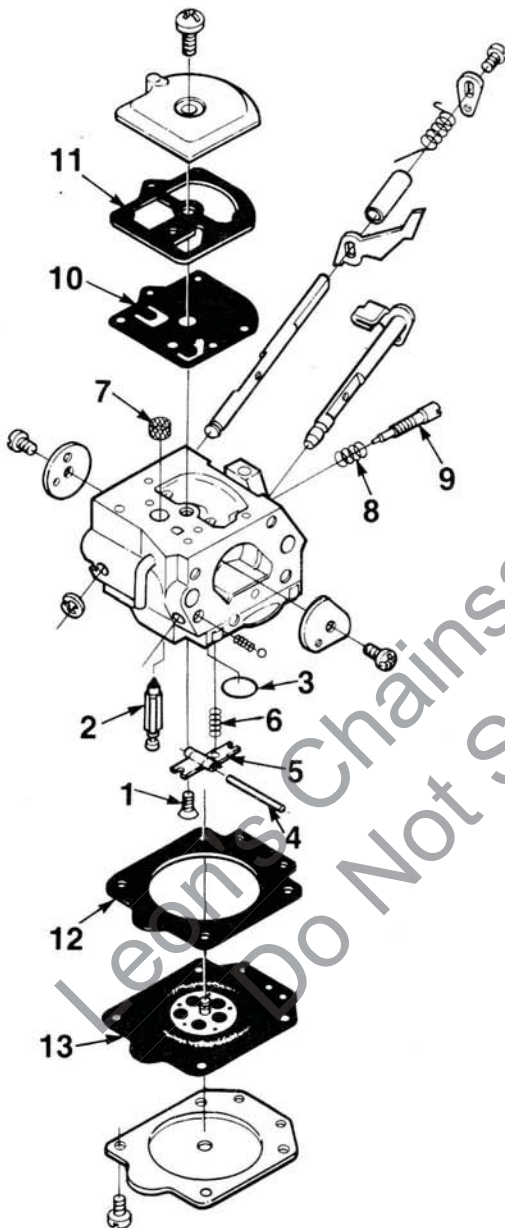
NO.	DESCRIPTION	PART NO.	QTY.
1	RETAINER	A-97910	1
2	SPOOL & STRING	DA-97951	1
3	SPRING- Compression	97920	1
4	STRING HEAD w/eyelet	A-97912	1
5	LOWER HEAD HOUSING ASSEMBLY	A-97969	1
6	SCREW- 10-24 x 3/8	88048	2
7	SCREW	95198	3
8	GRASS SHIELD	97712-B	1
9	CLAMP	97363-A	1
10	CLAMP	97572	2
11	TUBE & LINER	A-97949	1
12	DECAL- ST-160A	98037-A	1
13	SHAFT- Flexible	94406-A	1
14	DEFLECTOR & BLADE ASSEMBLY	A-97793-A	1
	Includes:		
15	BLADE- Cut-off	A-97975	1
16	SCREW	82220	2
17	NUT	81109	2
18	NUT- "TEE"	97957	2
19	SCREW	82501	2
20	HANDLE- Front	95110-B	1
21	NUT- Wing	93992	1
22	SCREW- Cap hd.	80295	1
23	RING- Retaining	97938	1

ST-160A

STRING TRIMMERS

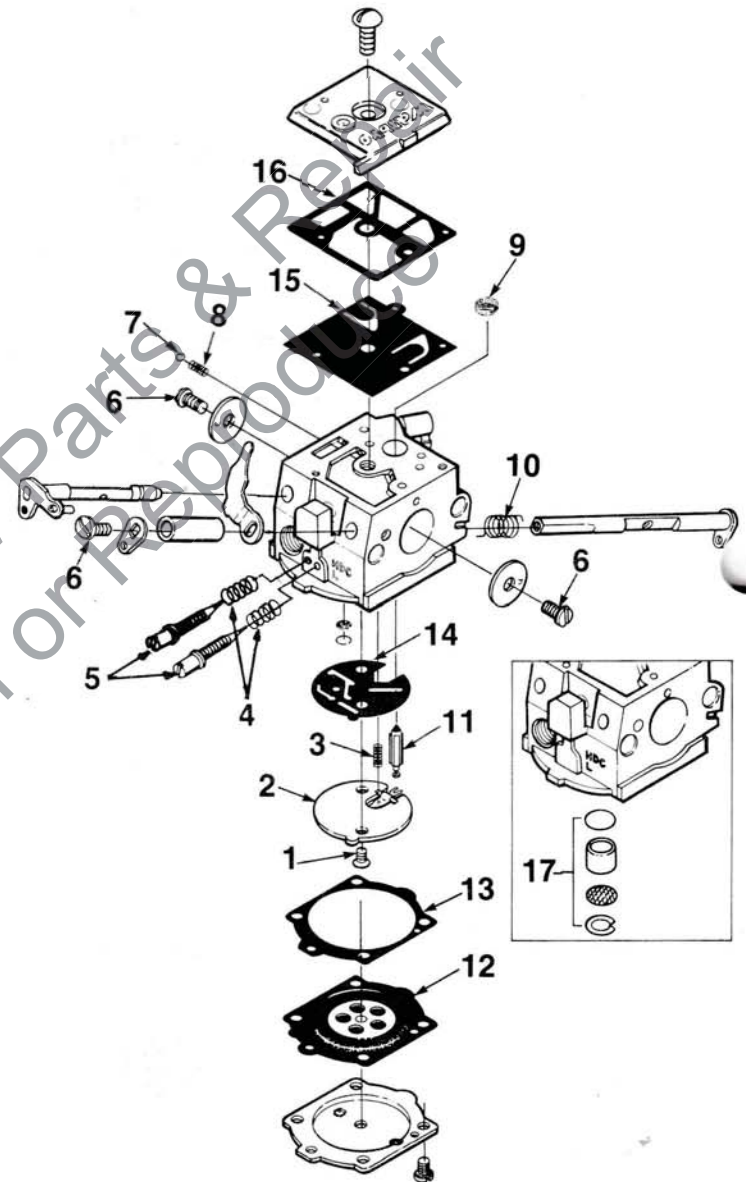
CARBURETORS

ZAMA (C2S-H9)
A-97971



- | | |
|-----------------------|---------------|
| KIT- Repair | 98016 (1-13) |
| KIT- Gasket Diaphragm | 98017 (10-13) |
| NEEDLE- Inlet | 98015 (#2) |

WALBRO (HDC-75)
A-97972



- | | |
|-----------------------|---------------|
| KIT- Repair | 98014 (1-16) |
| KIT- Gasket Diaphragm | 93754 (12-16) |
| KIT- Check valve | 93910-A (17) |
| VALVE- Inlet needle | 64229 (#11) |

ST-160A
STRING TRIMMERS

ACCESSORIES & TOOLS

DA-97951	REPLACEMENT (Spool & String)
DA-97952	100' FT. LINE (only)
24823	SILASTIC
22486	SHIM (015")
A-24747-A	ROTOR PULLER
	Includes:
81196	NUT
80288	BOLT
24972	TOOL- Check valve (Walbro Carb. only)
23488-C	COMPOUND- Thread locking
70310-99	LINE- Fuel (10')
98052	STARTER CORD (250' Reel #3 1/2)

HOMELITE DIVISION OF TEXTRON INC.

14401 Carowinds Boulevard
Charlotte, N.C. 28217

OVERSEAS OFFICES

HOMELITE DIVISION OF TEXTRON INC.

Korenaarstraat 1
2153 BM Nieuw Vennepe
The Netherlands

HOMELITE DIVISION OF TEXTRON INC.

Pacific Limited
P.O. BOX 209
Blackburn, 3130
Victoria, Australia

HOMELITE **TEXTRON**