

PART NO. 17655 REV. 1

Printed in U.S.A.

Price 35¢

PARTS LIST

HOMELITE® ST-120 STRING TRIMMER

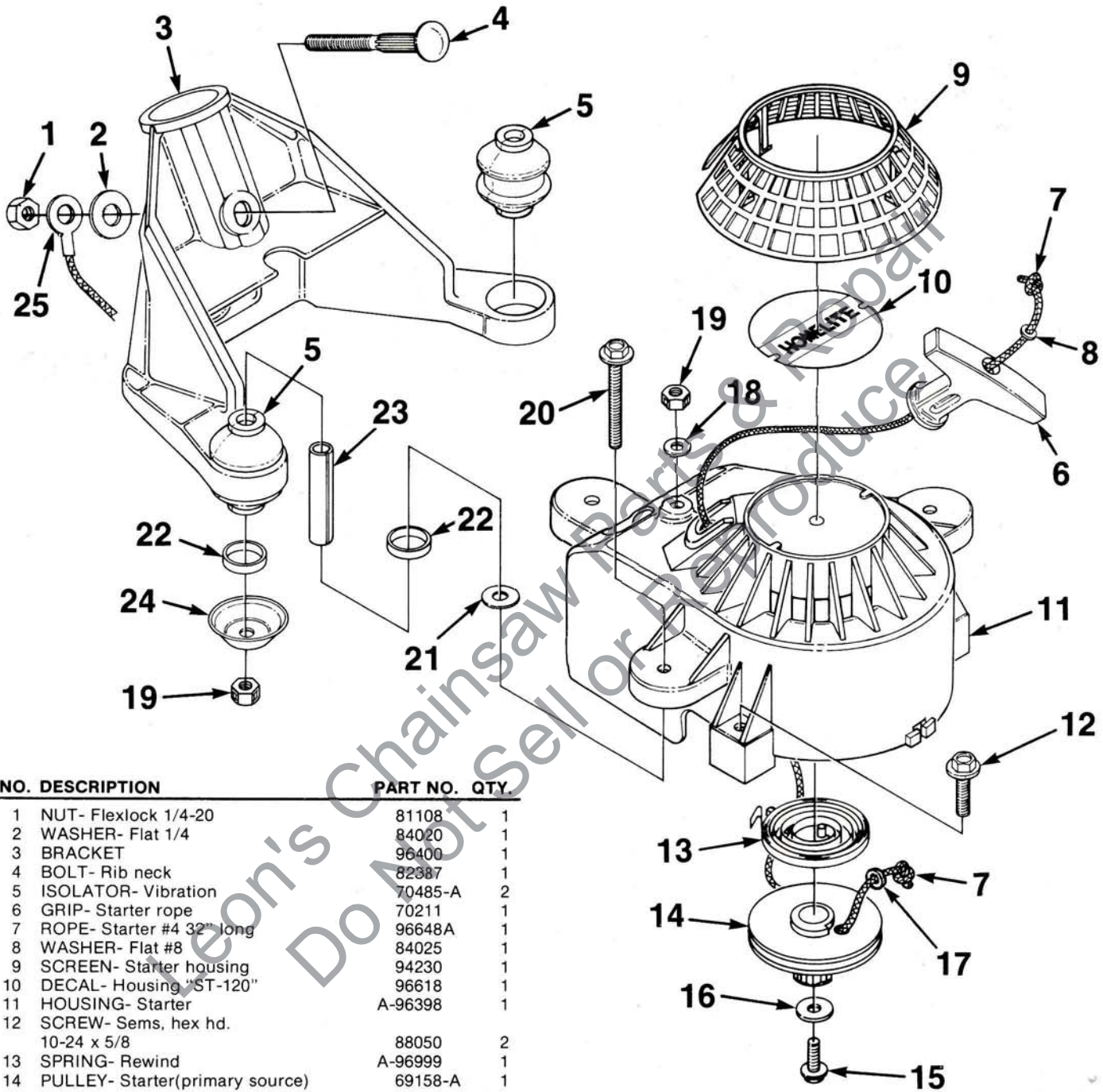


HOMELITE **TEXTRON**

Homelite Division of Textron Inc.

ST-120 STRING TRIMMER

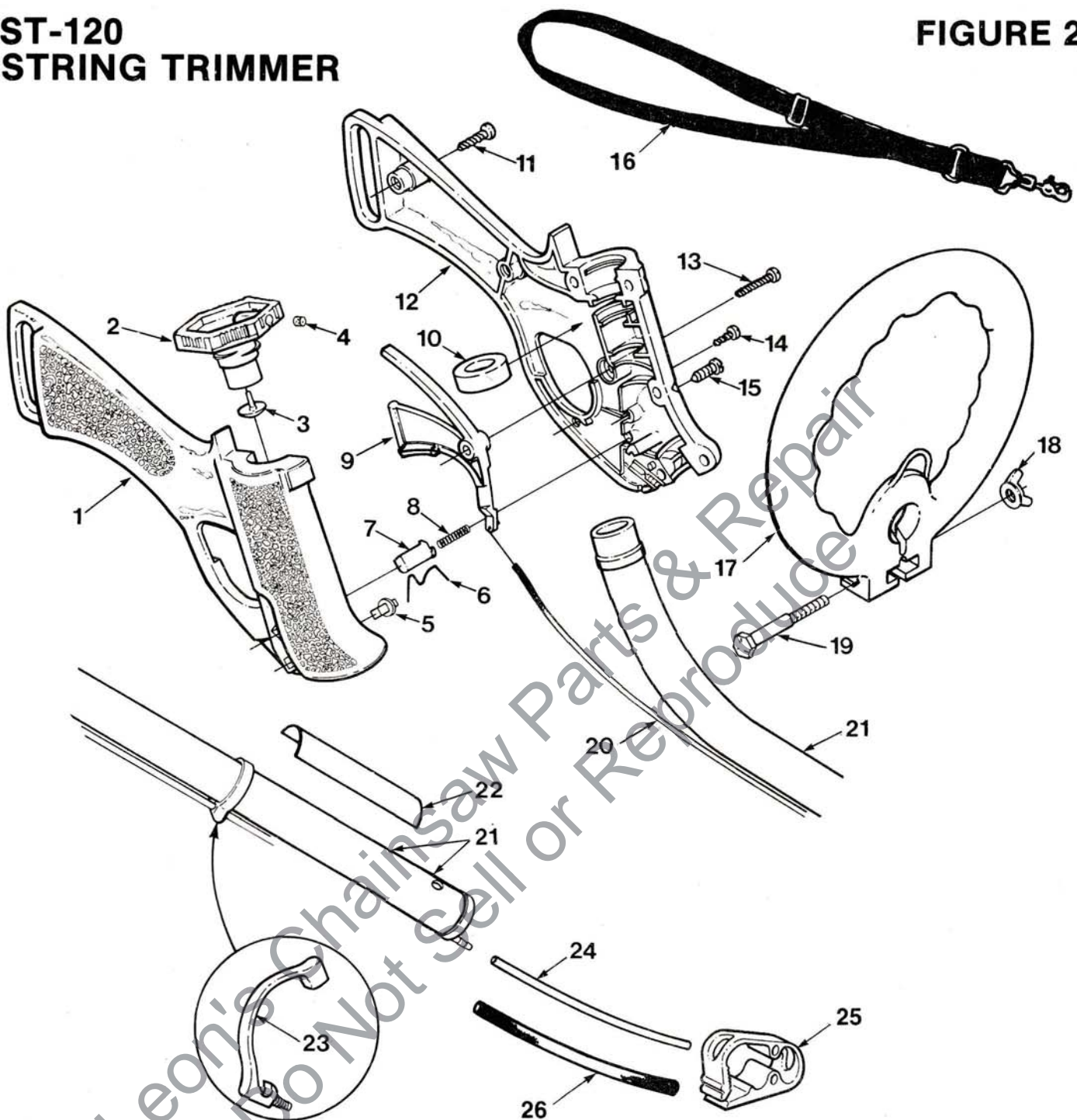
FIGURE 1



NO.	DESCRIPTION	PART NO.	QTY.
1	NUT- Flexlock 1/4-20	81108	1
2	WASHER- Flat 1/4	84020	1
3	BRACKET	96400	1
4	BOLT- Rib neck	82387	1
5	ISOLATOR- Vibration	70485-A	2
6	GRIP- Starter rope	70211	1
7	ROPE- Starter #4 32" long	96648A	1
8	WASHER- Flat #8	84025	1
9	SCREEN- Starter housing	94230	1
10	DECAL- Housing "ST-120"	96618	1
11	HOUSING- Starter	A-96398	1
12	SCREW- Sems, hex hd. 10-24 x 5/8	88050	2
13	SPRING- Rewind	A-96999	1
14	PULLEY- Starter(primary source)	69158-A	1
	PULLEY- Starter (alternate source)	94562-A	1
15	SCREW- Thread forming #10 x 3/4"	70771	1
16	WASHER- Retaining	94062	1
17	WASHER- Nylon	93862	1
18	WASHER- Flat #10	84003-1	1
19	NUT- Hex centerlock 10-24	81208	3
20	SCREW- Sems, hex hd 10-24 x 1 3/4"	88056	2
21	WASHER- Flat	95249	2
22	RING- Vibration isolator	70432-A	4
23	SPACER- Isolator	70433	2
24	WASHER- Isolator	70440-A	2
25	LEAD- Electrical	A-95862	1

ST-120 STRING TRIMMER

FIGURE 2



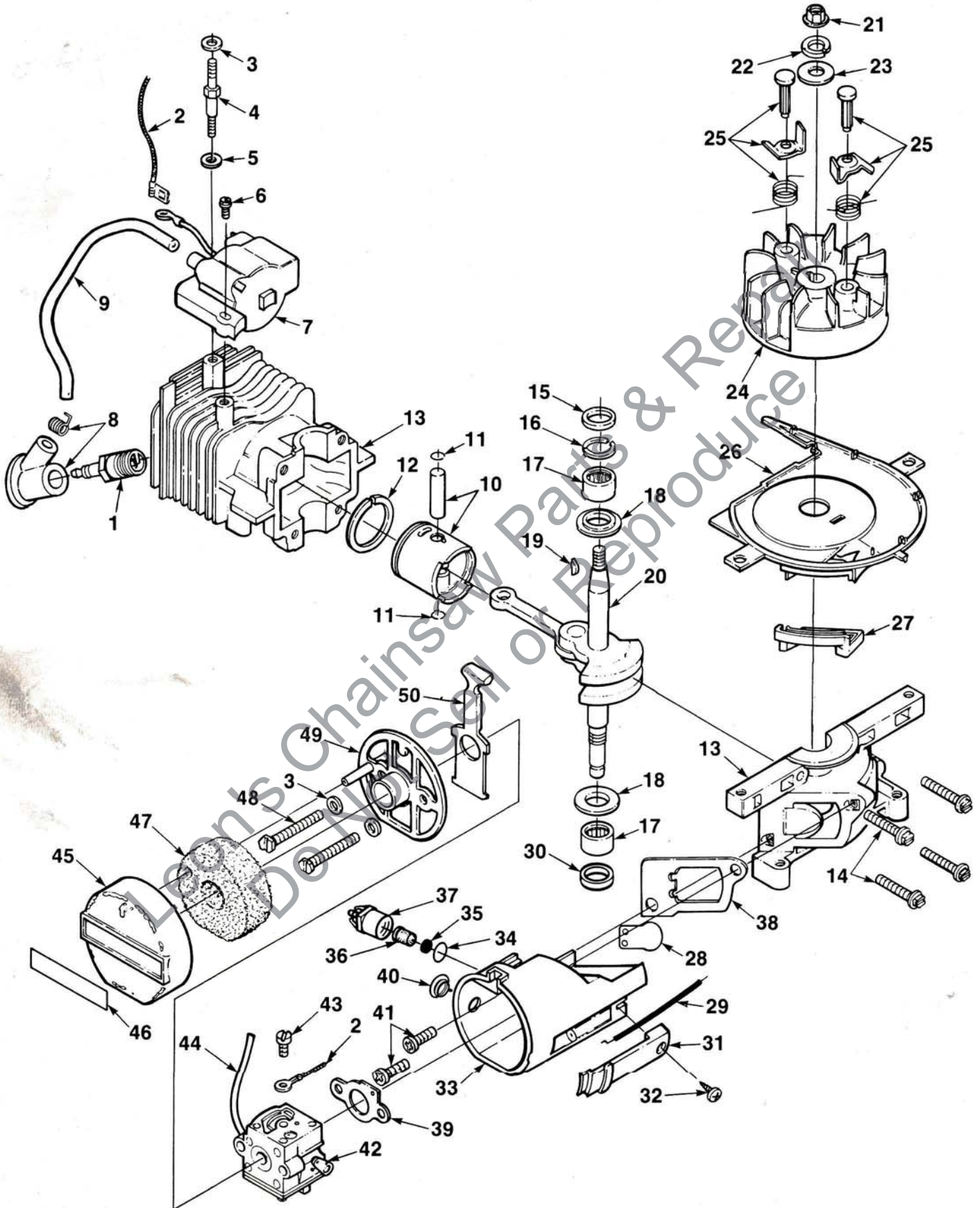
NO.	DESCRIPTION	PART NO.	QTY.
1	HANDLE- Right side	93798	1
2	FUEL CAP	A-93805	1
	Includes:		
3	VALVE	94531-1	1
4	FILTER- Fuel cap	69454	1
5	BUTTON- Stop	93803	1
6	SPRING- Contact	93794	1
7	BUTTON- Fast idle	94083	1
8	SPRING- Fast idle	94085	1
9	TRIGGER- Throttle	93789	1
10	SEAL- Tube	93790	1
11	SCREW- Thread forming 10-16 x 3/4	94065	7
12	HANDLE- Left side	93797	1
13	SCREW- Thread forming 8-18 x 1	94064	1

NO.	DESCRIPTION	PART NO.	QTY.
14	SCREW- Thread- forming 6-19 x 7/16	93923	1
15	SCREW- Idle adj.	94221	1
16	HARNES	DA-92703	1
17	HANDLE- Front	93770-A	1
18	NUT- Wing washer face	93992	1
19	SCREW- Cap hex hd. 1/4-20 x 2	80295	1
20	CABLE- Throttle	93806	1
21	TUBE- Fuel tank	A-95328	1
	Includes:		
22	DECAL- Instruction	96572	1
23	CLIP- throttle cable	93882	2
24	TUBING- Rubber	93157-27	1
25	CLAMP- Tubing	95810-B	1
26	SLEEVE- Insulating	95098	1

ALWAYS FURNISH MODEL AND SERIAL NUMBER WHEN ORDERING PARTS.

ST-120 STRING TRIMMER

FIGURE 3



ST-120 STRING TRIMMER

NO.	DESCRIPTION	PART NO.	QTY.	NO.	DESCRIPTION	PART NO.	QTY.
1	SPARK PLUG (DJ-7J)	68616-S	1	26	COVER- Air	94693-B	1
2	LEAD- Ground	A-94715	1	27	SEAL	94234	1
3	WASHER- Flat #10	84003-1	3	28	REED	69146	1
4	STANDOFF	93728-A	1	29	CABLE- Throttle	93806	1
5	WASHER- Flat	84025	1	30	SEAL	96890	1
6	SCREW- Washer hd., (8-32 x 3/4)	82248	1	31	CLAMP- Throttle cable	93894	1
7	MODULE- Ignition	97036	1	32	SCREW- Thread forming 6-19 x 7/16	93923	1
	Includes:			33	HOUSING- Carburetor	A-95327-A	1
8	TERMINAL- Hi tension	A-33055	1		Includes:		
9	LEAD- Hi tension	69326	1	34	"O" RING	46291	1
10	PISTON	A-69393	1	35	SCREEN- Filter	96820	1
	Includes:			36	FILTER- Fuel	93153	1
11	RING- Piston retaining	65261	2	37	FITTING- Fuel inlet	93719	1
12	PISTON RING (primary source)	69312	1	38	GASKET	93884-A	1
13	CRANKCASE & CYLINDER	A-96906-2	1	39	GASKET	93889	1
	Includes:			40	PLUG- Unthreaded	96591	1
14	SCREW- Sems hex hd. 8-32 x 1	88044	4	41	SCREW- Mach. pan hd., 10-24 x .812	93934	2
15	SEAL	94638	1	42	CARBURETOR- ZAMA (C1S-H2A)	A-95628	1
16	SPACER- Seal	69407	1		CARBURETOR- Walbro (WA-43A)	A-93938-A	1
17	BEARING- Needle	12530	2	43	SCREW- Mach., pand hd., 6-32 x 1/4	82159	1
18	WASHER- Thrust	69093-B	2	44	TUBING- Rubber 2 1/4"	70310-09	1
19	KEY- Woodruff	69250	1	45	COVER- Carburetor	A-95329	1
20	CRANKSHAFT	A-96384	1		Includes:		
21	NUT- Rotor	81117	1	46	DECAL	93893	1
22	WASHER- Lock	83002	1	47	FILTER ELEMENT- Air	94163	1
23	WASHER	84065-1	1	48	SCREW- Hex hd., 10-32 x 1 5/8	82165	2
24	ROTOR & STARTER PAWL	A-96714	1	49	SUPPORT- Air filter	93890-A	1
	Includes:			50	CHOKE	93892-B	1
25	PAWL- Starter	A-70285-C	1				

ST-120 STRING TRIMMER

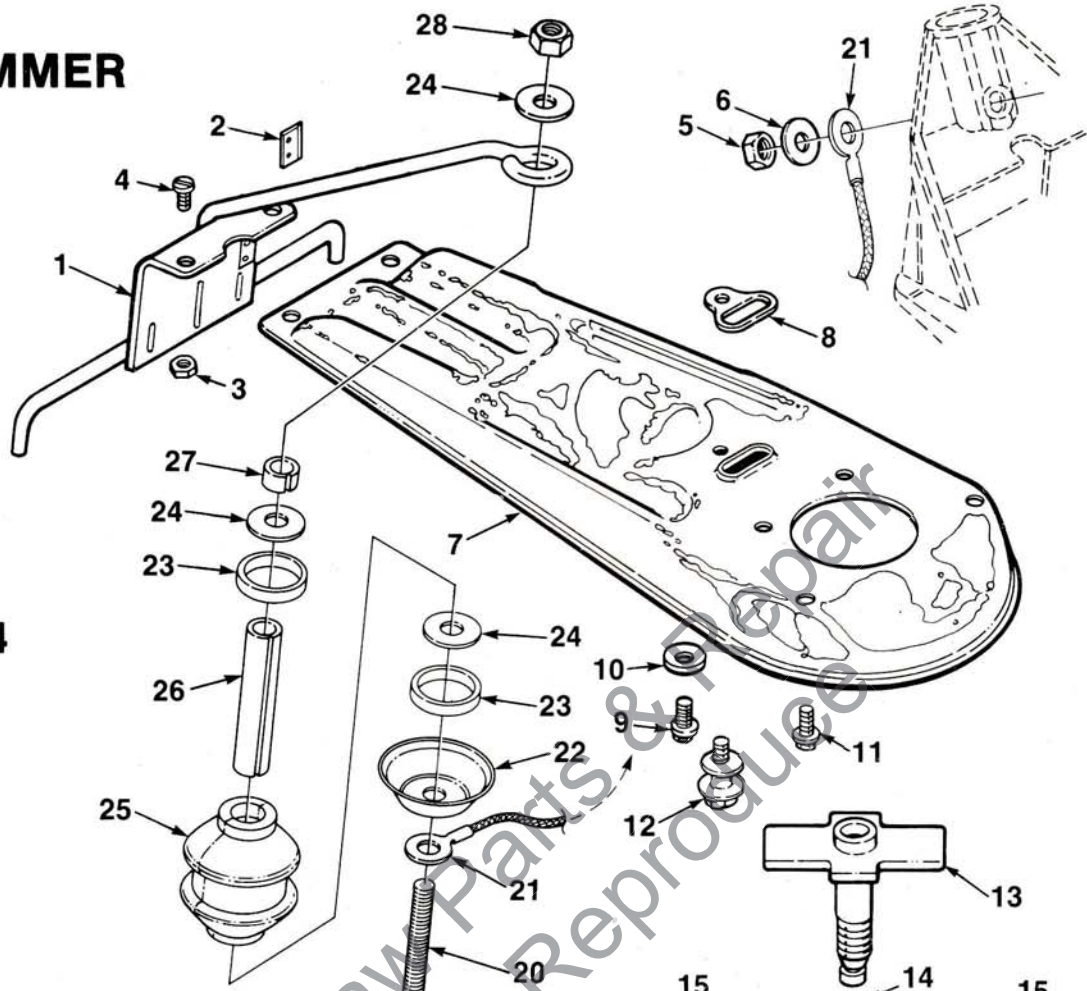
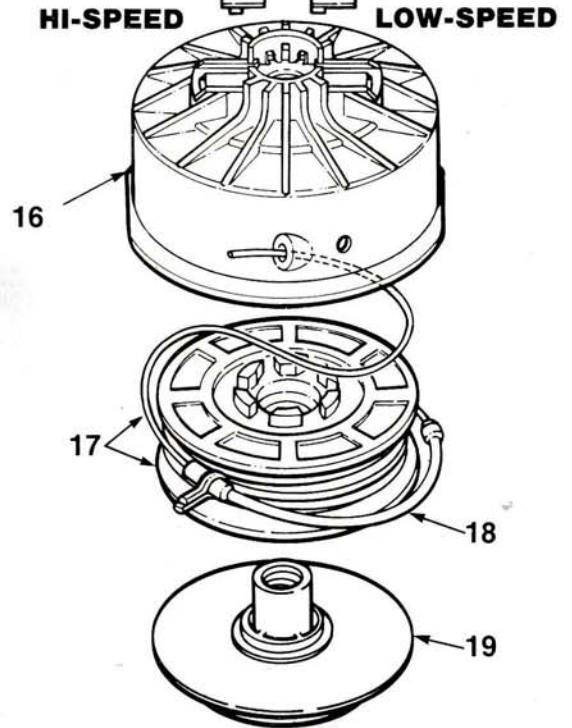


FIGURE 4

NO.	DESCRIPTION	PART NO.	QTY.
1	SUPPORT- Muffler Includes: BLADE - Cut off	A-96396-1	1
2	NUT- Hex, 6-32	A-96889	1
3	SCREW- mach pan hd. 8-32 x 3/8	81223	2
4	NUT- Lock 1/4-20	82253	2
5	WASHER- Flat 1/4	81108	1
6	MUFFLER	84020	1
7	GASKET- Muffler	93763-6	1
8	SCREW- Pan hd. 8-32 x 5/8	93801	1
9	SPACERS	80582	2
10	SCREW- Sems hex hd. 10-24 x .625. Grade 8	96821-A	2
11	SCREW- Shoulder	88050	4
12	ADAPTER- Shaft	93883-A	1
13	"O" RING	A-94243	1
14	KIT- SLIDE & SPRING	94150	1
15	HEAD- String	A-95689-A	1
16	SPOOL & STRING	A-94233-1	1
17	Includes: TUBE- Weldnot	DA-93954-A	1
18	RETAINER- Spool	A-96509	1
19	SCREW	A-94929	1
20	LEAD- Electrical	82281	1
21	WASHER- Isolator	A-95862	1
22	RING- Vibration Isolator	70440-A	1
23	WASHER- Flat	70432-A	2
24	ISOLATOR- Vibration	95249	3
25	SPACER- Isolator	70485-A	1
26	SPACER	70433	1
27	NUT- Hex center lock 10-24	96397	1
28	ATTACHMENT- Blower (not shown) Includes: TOOL- Shaft stop FAN- Blower CLIP- Retaining	81208 A-93597 17370 94925 94928	1 1 1 1 1



ACCESSORIES AND TOOLS

WRENCH- Combination	A-24284
SHIM- Plastic (.012" Black)	24306
SCREWDRIVER	24541
ROTOR- Puller	A-24747-A
Includes:	
NUT- Hex 5/16-18	81196
BOLT	80288
SEALANT- Silicone rubber	24823
KIT- Spark arrestor	A-94900
Includes:	
SCREW	80523
SCREW- Mach. pan hd.	82254
SCREEN- Spark arrestor	94901
SCREEN- Support	94902

HOMELITE **TEXTRON**

Homelite Division of Textron Inc.