

Homelite®

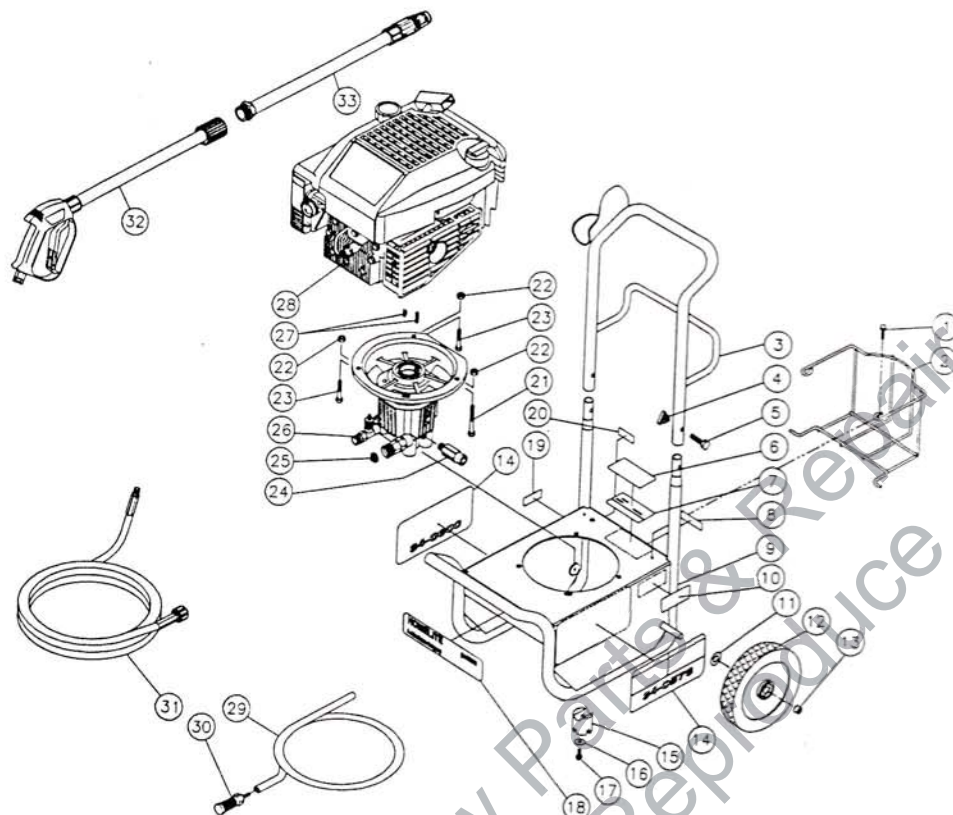
PW2200

UT01817

Engine Oil Grade: 30W SE/SF/SG
Engine Oil Capacity: 19 oz.
Pump Oil Grade: SAE 30W Non-Detergent
Pump Oil Capacity (Sealed): 8 oz.
Nozzle Size: 1.1 mm

P/N 19679

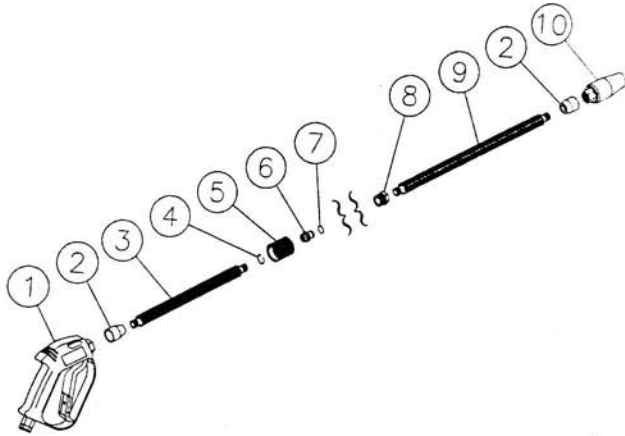
FRAME ASSEMBLY FOR PW2200



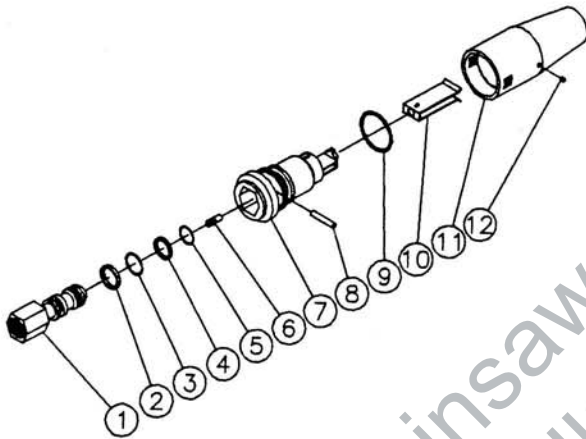
PW-2200 FRAME ASSEMBLY

| REF. # | DESCRIPTION | PART # | QTY. | REF. # | DESCRIPTION | PART # | QTY. |
|--------|------------------------------------|----------|------|--------|-----------------------------------|----------|------|
| 1 | Screw | 07575-87 | 1 | 18 | Decal-2200 PSI | 07575-46 | 1 |
| 2 | Basket | 07575-88 | 1 | 19 | Decal-Caution: Allow to Cool | 07575-26 | 1 |
| 3 | Handle | 07575-22 | 1 | 20 | Decal-Adjustable Pressure | 07575-86 | 1 |
| 4 | Knob | 07575-23 | 2 | 21 | Bolt | 07575-82 | 1 |
| 5 | Bolt | 07575-24 | 2 | 22 | Locknut | 07575-39 | 3 |
| 6 | Decal-Clear Laminate | 07575-42 | 1 | 23 | Bolt | 07575-38 | 2 |
| 7 | Decal-Silver Sticker | 07575-48 | 1 | 24 | Heat Dump Valve | 07575-18 | 1 |
| 8 | Decal-Serial Number | N/A | 1 | 25 | Filter | 07575-07 | 1 |
| 9 | Frame | 07575-25 | 1 | 26 | Pump | 07575-80 | 1 |
| 10 | Decal-Warning: Muffler Hot | 07575-37 | 1 | 27 | Key-Woodruff | 07575-40 | 1 |
| 11 | Washer | 07575-27 | 2 | | Key-Square | 07575-41 | 1 |
| 12 | Wheel | 07575-28 | 2 | 28 | Engine-5.5 HP B&S | 07575-91 | 1 |
| 13 | Hub Cap | 07575-29 | 2 | 29 | Detergent Hose (4 feet required) | 07575-09 | 1 |
| 14 | Decal-Warn/Caution/Operate English | 07575-30 | 1 | 30 | Detergent Strainer | 07575-08 | 1 |
| | Decal-Warn/Caut./Operate Spanish | 07575-31 | 1 | 31 | Pressure Hose | 07575-03 | 1 |
| 15 | Isolator | 07575-32 | 2 | 32 | Gun Assembly | 07575-01 | 1 |
| 16 | Washer | 07575-33 | 2 | 33 | Variable Nozzle Assembly (1.1 mm) | 07575-83 | 1 |
| 17 | Screw | 07575-34 | 2 | | | | |

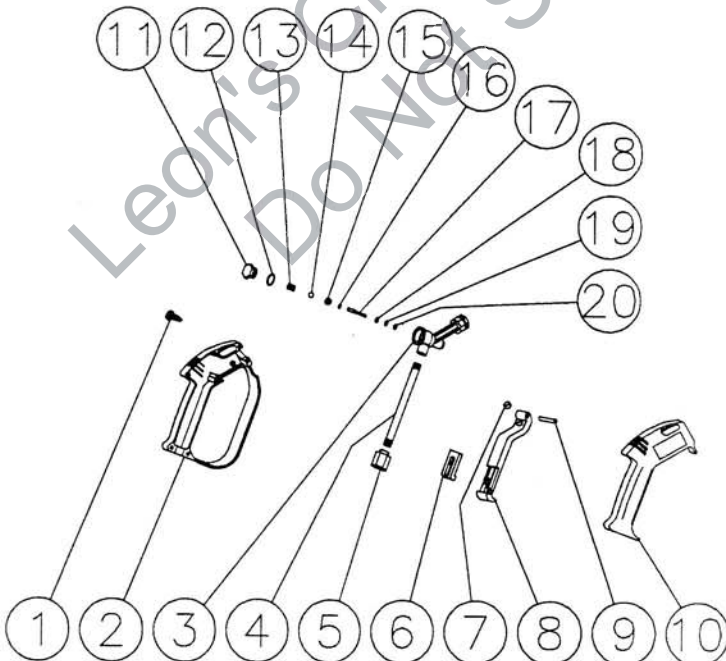
GUN & LANCE ASSEMBLY FOR PW2200



| GUN (07575-01) & NOZZLE (07575-83) COMPLETE | | | |
|---|-------------------------------|----------|------|
| Ref. # | Description | Part # | Qty. |
| 1 | Gun Assembly | 07575-12 | 1 |
| 2 | Protective Cover | 07575-52 | 2 |
| 3 | Insulated Lance | 07575-53 | 1 |
| 4 | Retaining Ring | 07575-54 | 1 |
| 5 | Hand Wheel | 07575-55 | 1 |
| 6 | Plug/Screw Connect | 07575-56 | 1 |
| 7 | O-ring | 07575-14 | 1 |
| 8 | Adapter | 07575-57 | 1 |
| 9 | Insulated Lance | 07575-58 | 1 |
| 10 | Variable Nozzle (1.1mm) | 07575-50 | 1 |
| | Gun W/Lance (Includes 1-7) | 07575-01 | |
| | Nozzle W/Lance (Inc. 2, 8-10) | 07575-83 | |



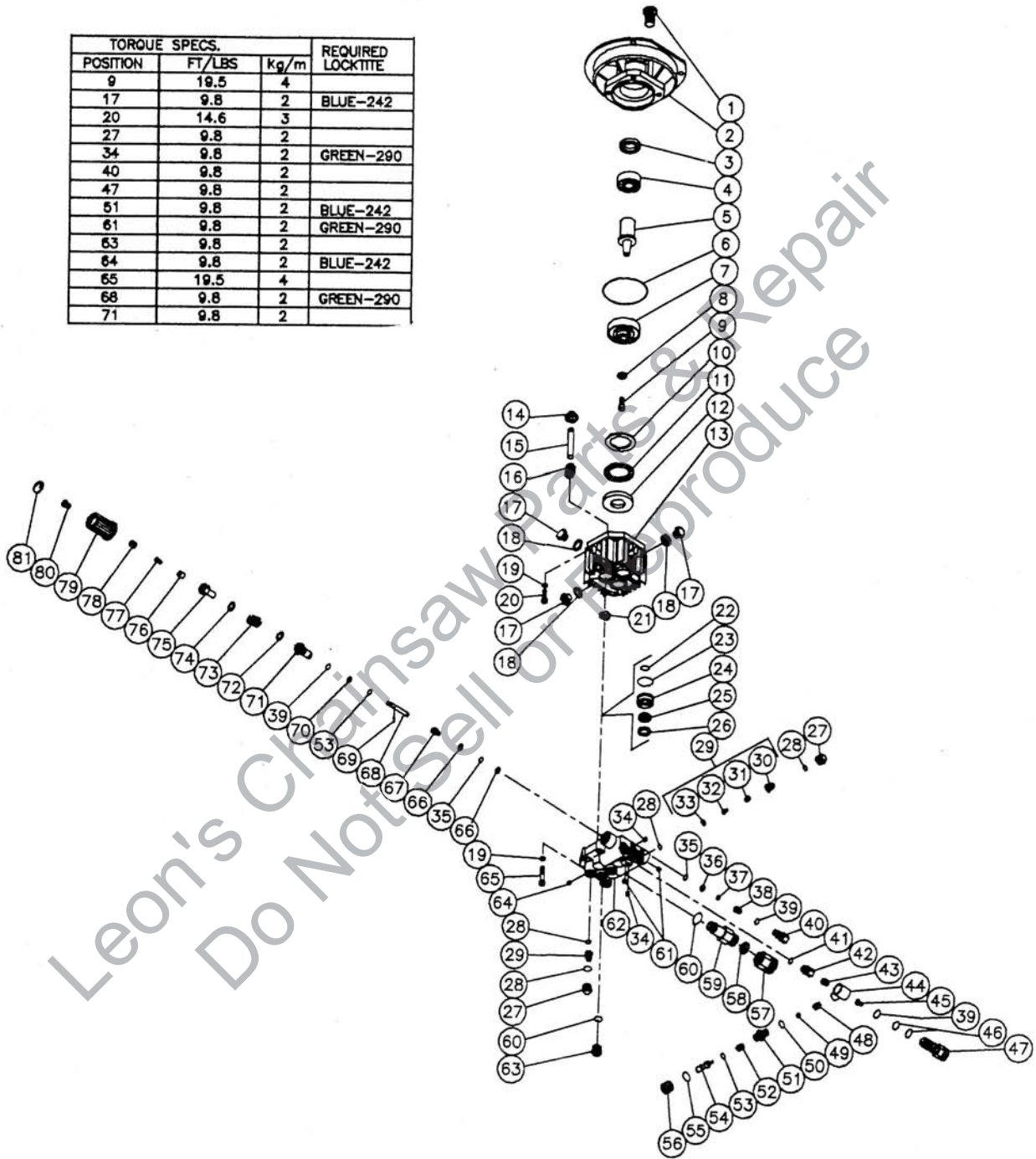
| VARIABLE NOZZLE (07575-50) | | | |
|----------------------------|-----------------------------------|----------|------|
| REF. # | DESCRIPTION | PART # | QTY. |
| 1 | Nozzle Body | 07575-59 | 1 |
| 2 | Back-up Ring | 07575-60 | 1 |
| 3 | O-ring | 07575-61 | 1 |
| 4 | Back-up Ring | 07575-62 | 1 |
| 5 | O-ring | 07575-63 | 1 |
| 6 | Nozzle 1.1mm | 07575-84 | 1 |
| 7 | Plastic Housing | N/A | 1 |
| 8 | Pin | 07575-65 | 1 |
| 9 | O-ring | 07575-66 | 1 |
| 10 | Angle Plate | 07575-67 | 1 |
| 11 | Nozzle Protector | 07575-68 | 1 |
| 12 | Identification Pin (1.1mm / Red) | 07575-85 | 1 |
| | Variable Nozzle Assembly Complete | 07575-50 | |



| GUN (07575-12) | | | |
|----------------|------------------------------|----------|------|
| REF. # | DESCRIPTION | PART # | QTY. |
| 1 | Screw | 07575-70 | 13 |
| 2 | Plastic Housing (Left Side) | 07575-71 | 1 |
| 3 | Housing | 07575-72 | 1 |
| 4 | Pipe | 07575-73 | 1 |
| 5 | Nipple | 07575-74 | 1 |
| 6 | Trigger Safety Lock | 07575-75 | 1 |
| 7 | Trigger Rest | 07575-76 | 1 |
| 8 | Trigger | 07575-77 | 1 |
| 9 | Trigger Pin | 07575-78 | 1 |
| 10 | Plastic Housing (Right Side) | 07575-79 | 1 |
| 11 | Plug | N/A | 1 |
| 12 | O-ring | N/A | 1 |
| 13 | Spring | N/A | 1 |
| 14 | Ball | N/A | 1 |
| 15 | Seat | N/A | 1 |
| 16 | O-ring | N/A | 1 |
| 17 | Pin | N/A | 1 |
| 18 | Washer | N/A | 1 |
| 19 | O-ring | N/A | 1 |
| 20 | Back-up Ring | N/A | 1 |
| | Gun Assembly | 07575-12 | 1 |

PUMP ASSEMBLY (07575-81) FOR PW2200

| TORQUE SPECS. | | | REQUIRED LOCKTITE |
|---------------|--------|------|-------------------|
| POSITION | FT/LBS | kg/m | |
| 9 | 19.5 | 4 | |
| 17 | 9.8 | 2 | BLUE-242 |
| 20 | 14.6 | 3 | |
| 27 | 9.8 | 2 | |
| 34 | 9.8 | 2 | GREEN-290 |
| 40 | 9.8 | 2 | |
| 47 | 9.8 | 2 | |
| 51 | 9.8 | 2 | BLUE-242 |
| 61 | 9.8 | 2 | GREEN-290 |
| 63 | 9.8 | 2 | |
| 64 | 9.8 | 2 | BLUE-242 |
| 65 | 19.5 | 4 | |
| 68 | 9.8 | 2 | GREEN-290 |
| 71 | 9.8 | 2 | |



PUMP ASSEMBLY (07575-81) FOR PW2200

| REF # | DESCRIPTION | PART # | QTY | REF # | DESCRIPTION | PART # | QTY |
|-------|-------------------------------|----------|-----|-------|---|----------|-----|
| 1 | Vent | 07628-01 | 1 | 45 | Injector Nozzle | 07925-12 | 1 |
| 2 | Flange | 07628-02 | 1 | 46 | O-ring | 07925-13 | 2 |
| 3 | Oil Seal | 07628-03 | 1 | 47 | Pressure Outlet | 07925-14 | 1 |
| 4 | Bearing | 07628-04 | 1 | 48 | Spring (See 07575-20) | N/A Sep. | 1 |
| 5 | Shaft | 07628-05 | 1 | 49 | Ball (See 07575-20) | N/A Sep. | 1 |
| 6 | O-ring | 07628-06 | 1 | 50 | O-ring (See 07575-20) | N/A Sep. | 1 |
| 7 | Wobble Plate | 07628-07 | 1 | 51 | Injector Nipple | 07925-15 | 1 |
| 8 | Washer | 07628-08 | 1 | 52 | Injector Spring | 07925-16 | 1 |
| 9 | Bolt | 07628-09 | 1 | 53 | O-ring (See 07925-39) | N/A Sep. | 2 |
| 10 | Bearing Disc | 07925-41 | 1 | 54 | Injector Piston | 07925-17 | 1 |
| 11 | Bearing | 07925-42 | 1 | 55 | Flexible Ring | 07925-18 | 1 |
| 12 | Bearing Disc | 07925-43 | 1 | 56 | Injector Regulation Knob | 07925-19 | 1 |
| 13 | Pump Housing | 07628-13 | 1 | 57 | Garden Hose Connection | 07628-34 | 1 |
| 14 | Piston Spring Retainer | 07628-14 | 3 | 58 | Gasket | 07628-35 | 1 |
| 15 | Piston | 07925-01 | 3 | 59 | Inlet Connector | 07925-22 | 1 |
| 16 | Piston Spring | 07628-16 | 3 | 60 | O-ring | 07925-23 | 2 |
| 17 | Oil Drain Plug | 07628-17 | 3 | 61 | Screw | 07925-24 | 2 |
| 18 | Gasket | 07628-18 | 3 | 62 | Manifold | 07925-25 | 1 |
| 19 | Lockwasher | 07628-19 | 8 | 63 | Manifold Plug | 07925-26 | 1 |
| 20 | Bolt | 07628-20 | 4 | 64 | Screw | 07628-44 | 1 |
| 21 | Oil Seal (See 07575-06) | N/A Sep. | 3 | 65 | Bolt | 07925-27 | 4 |
| 22 | O-ring (See 07575-16) | N/A Sep. | 3 | 66 | Back-up Ring | 07628-50 | 2 |
| 23 | O-ring (See 07575-16) | N/A Sep. | 3 | 67 | Piston By-pass (See 07575-19) | N/A Sep. | 1 |
| 24 | V-Packing Retainer | 07628-69 | 3 | 68 | Pressure Regulator (See 07575-19) | N/A Sep. | 1 |
| 25 | V-Packing (See 07575-16) | N/A Sep. | 3 | 69 | Roll Pin | 07925-28 | 1 |
| 26 | Pack Ring (See 07575-16) | N/A Sep. | 3 | 70 | Back-up Ring (See 07575-19) | N/A Sep. | 1 |
| 27 | Valve Plug | 07628-22 | 6 | 71 | Plug (See 07575-19) | N/A Sep. | 1 |
| 28 | O-ring | 07628-23 | 12 | 72 | Washer | 07925-29 | 1 |
| 29 | Valve Complete (See 07575-17) | N/A Sep. | 6 | 73 | Pressure Regulation Spring | 07925-30 | 1 |
| 30 | Valve Cage (See 07575-17) | N/A Sep. | 6 | 74 | Washer | 07928-31 | 1 |
| 31 | Valve Spring (See 07575-17) | N/A Sep. | 6 | 75 | Pressure Regulation Screw | 07925-32 | 1 |
| 32 | Valve Plate (See 07575-17) | N/A Sep. | 6 | 76 | Screw Support | 07925-33 | 1 |
| 33 | Valve Seat (See 07575-17) | N/A Sep. | 6 | 77 | Bolt | 07925-34 | 1 |
| 34 | Screw | 07628-24 | 2 | 78 | Internal Screw | 07925-35 | 1 |
| 35 | O-ring | 07628-29 | 2 | 79 | Pressure Regulation Knob | 07925-36 | 1 |
| 36 | Valve Seat | 07925-03 | 1 | 80 | Screw | 07925-37 | 1 |
| 37 | Ball | 07925-04 | 1 | 81 | Cap | 07628-63 | 1 |
| 38 | Valve Spring | 07925-05 | 1 | | Oil Seal Kit (3 each of 21) | 07575-06 | |
| 39 | O-ring | 07925-06 | 3 | | Packing Kit (3 each 22-26) | 07575-16 | |
| 40 | Plug | 07925-07 | 1 | | Valve Kit (6 each of 28 & 29) | 07575-17 | |
| 41 | O-ring | 07925-08 | 1 | | Unloader Seat (1 each 35-40) | 07925-38 | |
| 42 | No Return Valve | 07925-09 | 1 | | Unloader Stem Kit (1 each of 35, 39, 53, 66-81) | 07575-19 | |
| 43 | Spring | 07925-10 | 1 | | Injector Repair Kit (1 ea. 48-50, 53) | 07575-20 | |
| 44 | Injector Body | 07925-11 | 1 | | Manifold Assy. (1 each 22-56, 59-64, 66-81) | 07925-40 | |

CUSTOMER ASSISTANCE

FOR THE LOCATION OF YOUR NEAREST HOMELITE SERVICING DEALER
IN THE UNITED STATES, PUERTO RICO, AND THE VIRGIN ISLANDS,

CALL: 1-800-242-4672

HEADQUARTERS

Homelite, Inc.
P.O. BOX 7047
CHARLOTTE, N.C. 28241

OVERSEAS OFFICES

NETHERLANDS

Homelite Netherlands B.V.
A Deere & Company Affiliate
Haverstraat 24
2153 GB Nieuw Vennepe
The Netherlands

FRANCE

Homelite Atlantic SARL
Groupe Deere & Co.
BP 7011
95050 Cergy Pontoise Cedex
France

AUSTRALIA

Homelite Pacific Ltd.
A Deere & Company Affiliate
ACN 008 683 538
94 Rushdale Street
P. O. Box 555 MDA
Knoxfield Vic 3180
Australia

CANADIAN OFFICES

Homelite Canada Limited

Homelite Canada Limitée

A Deere & Company Affiliate /
Une Filiale de Deere & Company
1850-55e/th Avenue
Lachine, Québec, Canada H8T 3J5
1-800-363-5715

UNIT 212-214, 590 Ebury Place
New Westminster, B.C. V3M 6K7
1-800-667-3128

20-D Voyager Court South
Etobicoke, Ontario M9W 5M7
1-800-465-2249

Homelite.inc.

A Subsidiary of Deere & Company