

Homelite®

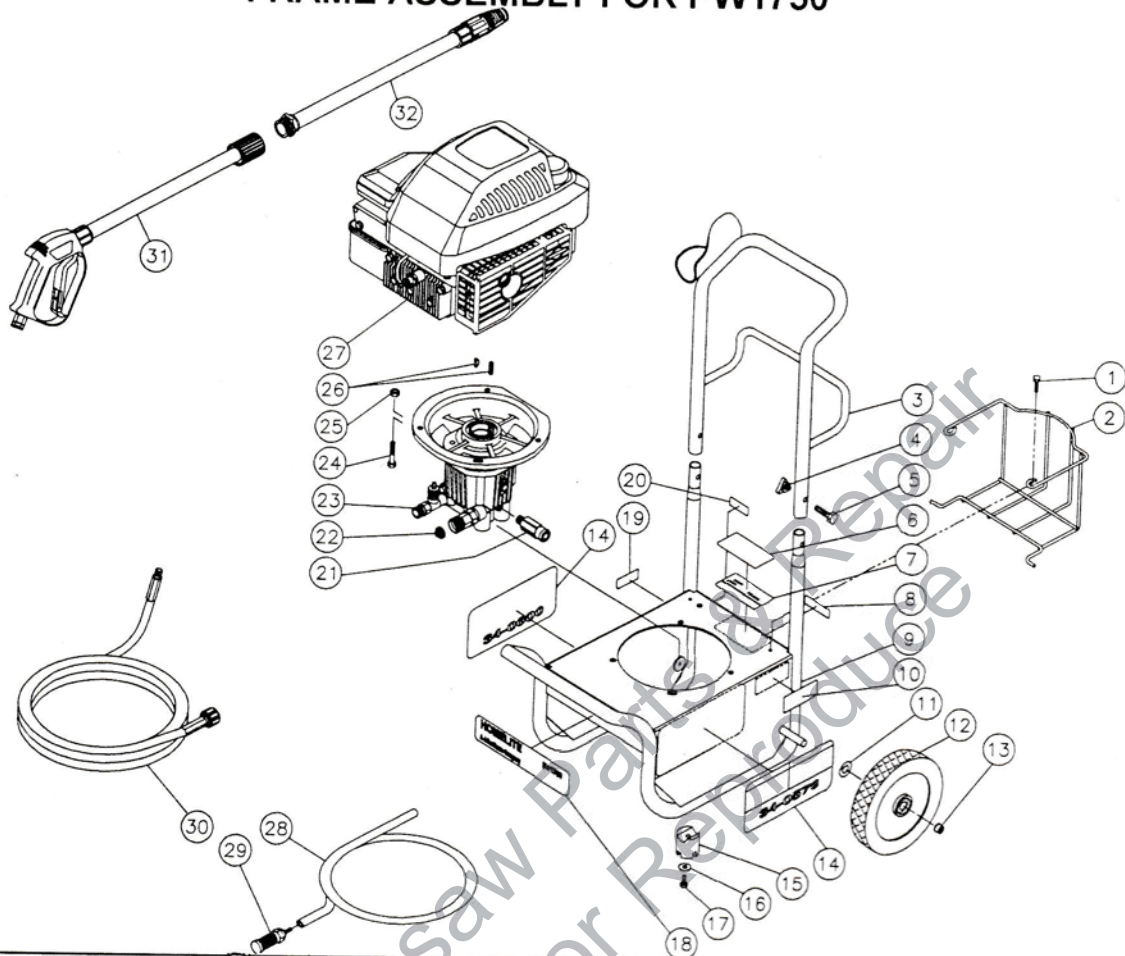
PW1750

UT01816

Engine Oil Grade:	30W SE/SF/SG
Engine Oil Capacity:	19 oz.
Pump Oil Grade:	SAE 30W Non-Detergent
Pump Oil Capacity (Sealed):	8 oz.
Nozzle Size:	1.2 mm

P/N 19677

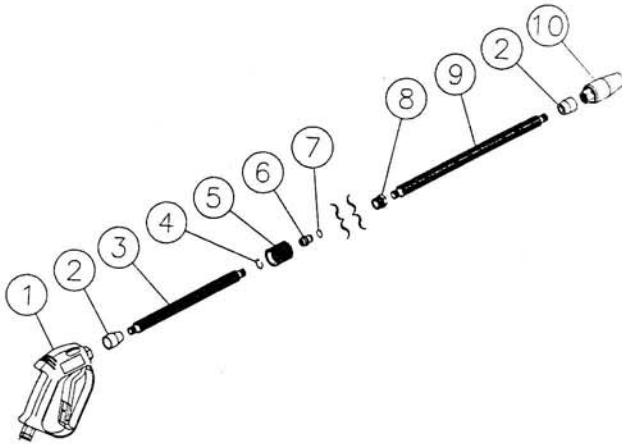
FRAME ASSEMBLY FOR PW1750



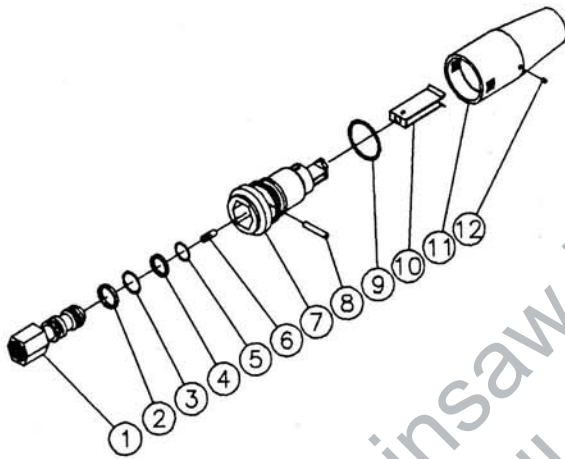
PW-1750 FRAME ASSEMBLY

REF. #	DESCRIPTION	PART #	QTY.	REF. #	DESCRIPTION	PART #	QTY.
1	Screw	07575-87	1	17	Screw	07575-34	2
2	Basket	07575-88	1	18	Decal-1750 PSI	07575-43	1
3	Handle	07575-22	1	19	Decal-Caution: Allow to Cool	07575-26	1
4	Knob	07575-23	2	20	Decal-Adjustable Pressure	07575-86	1
5	Bolt	07575-24	2	21	Heat Dump Valve	07575-18	1
6	Decal-Clear Laminate	07575-42	1	22	Filter	07575-07	1
7	Decal-Silver Sticker	07575-48	1	23	Pump	07575-80	1
8	Decal-Serial Number	N/A	1	24	Bolt	07575-38	2
9	Frame	07575-25	1	25	Locknut	07575-39	3
10	Decal-Warning: Muffler Hot	07575-37	1	26	Key-Woodruff	07575-40	1
11	Washer	07575-27	2		Key-Square	07575-41	1
12	Wheel	07575-28	2	27	Engine-4.0 HP B&S	07575-90	1
13	Hub Cap	07575-29	2	28	Detergent Hose	07575-09	1
14	Decal-Warn/Caution/Operate English	07575-30	1	29	Detergent Strainer	07575-08	1
	Decal-Warn/Caut./Operate Spanish	07575-31	1	30	Pressure Hose	07575-03	1
15	Isolator	07575-32	2	31	Gun w/Lance	07575-01	1
16	Washer	07575-33	2	32	Lance w/Nozzle (1.2 mm)	07575-02	1

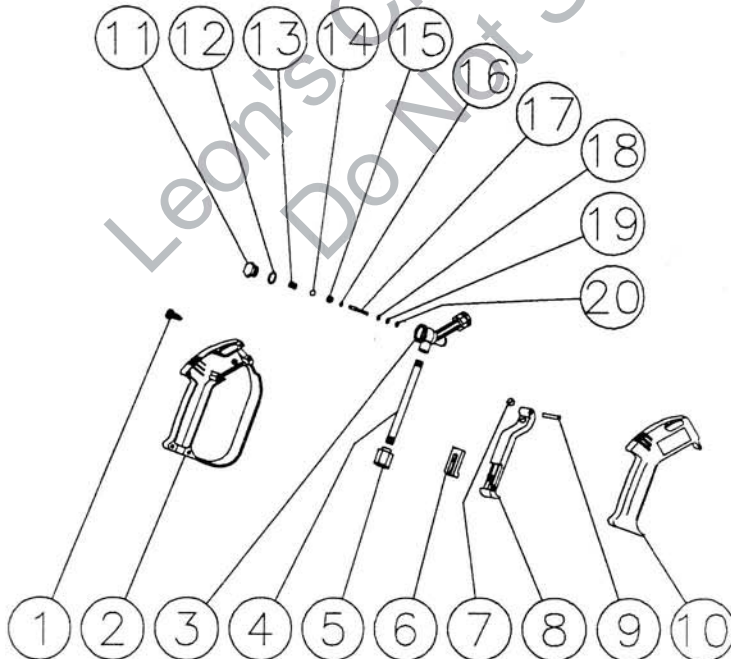
GUN & LANCE ASSEMBLY FOR PW1750



GUN (07575-01) & NOZZLE (07575-02) COMPLETE			
Ref. #	Description	Part #	Qty.
1	Gun Assembly	07575-12	1
2	Protective Cover	07575-52	2
3	Insulated Lance	07575-53	1
4	Retaining Ring	07575-54	1
5	Hand Wheel	07575-55	1
6	Plug/Screw Connect	07575-56	1
7	O-ring	07575-14	1
8	Adapter	07575-57	1
9	Insulated Lance	07575-58	1
10	Variable Nozzle (1.2mm)	07575-13	1
Gun W/Lance (Includes 1-7)		07575-01	
Nozzle W/Lance (Inc. 2, 8-10)		07575-02	



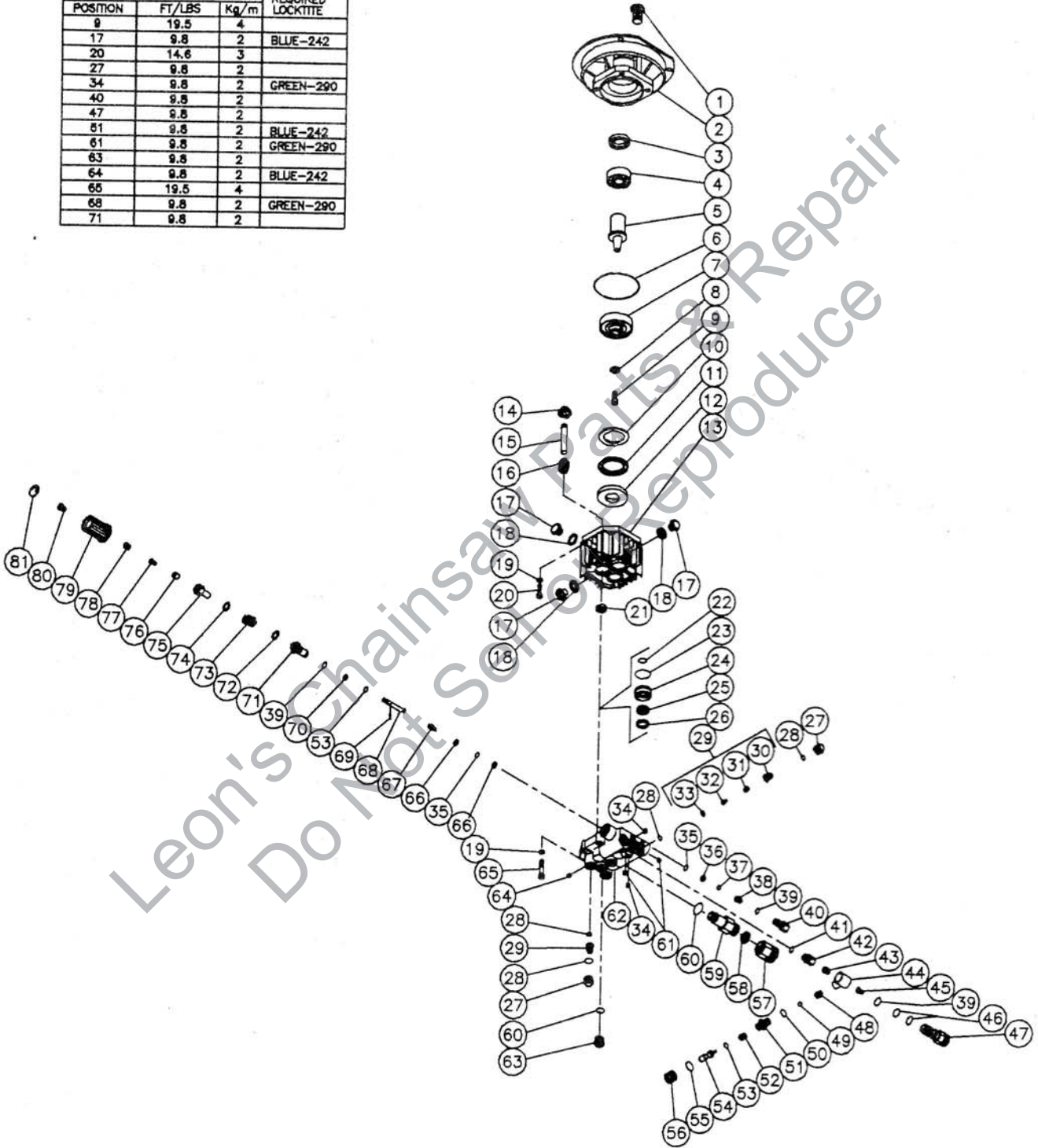
VARIABLE NOZZLE (07575-13)			
REF. #	DESCRIPTION	PART #	QTY.
1	Nozzle Body	07575-59	1
2	Back-up Ring	07575-60	1
3	O-ring	07575-61	1
4	Back-up Ring	07575-62	1
5	O-ring	07575-63	1
6	Nozzle 1.2mm	07575-64	1
7	Plastic Housing	N/A	1
8	Pin	07575-65	1
9	O-ring	07575-66	1
10	Angle Plate	07575-67	1
11	Nozzle Protector	07575-68	1
12	Identification Pin (1.2mm / Yellow)	07575-69	1
Variable Nozzle Assembly Complete		07575-13	



GUN (07575-12)			
REF. #	DESCRIPTION	PART #	QTY.
1	Screw	07575-70	13
2	Plastic Housing (Left Side)	07575-71	1
3	Housing	07575-72	1
4	Pipe	07575-73	1
5	Nipple	07575-74	1
6	Trigger Safety Lock	07575-75	1
7	Trigger Rest	07575-76	1
8	Trigger	07575-77	1
9	Trigger Pin	07575-78	1
10	Plastic Housing (Right Side)	07575-79	1
11	Plug	N/A	1
12	O-ring	N/A	1
13	Spring	N/A	1
14	Ball	N/A	1
15	Seat	N/A	1
16	O-ring	N/A	1
17	Pin	N/A	1
18	Washer	N/A	1
19	O-ring	N/A	1
20	Back-up Ring	N/A	1
Gun Assembly		07575-12	1

PUMP ASSEMBLY (07575-80) FOR PW1750

TORQUE SPECS.			REQUIRED LOCKTITE
POSITION	FT/LBS	Kg/m	
9	19.5	4	
17	9.8	2	BLUE-242
20	14.6	3	
27	9.8	2	
34	9.8	2	GREEN-290
40	9.8	2	
47	9.8	2	
51	9.8	2	BLUE-242
61	9.8	2	GREEN-290
63	9.8	2	
64	9.8	2	BLUE-242
65	19.5	4	
68	9.8	2	GREEN-290
71	9.8	2	



PUMP ASSEMBLY (07575-80) FOR PW1750							
REF #	DESCRIPTION	PART #	QTY	REF #	DESCRIPTION	PART #	QTY
1	Vent	07628-01	1	45	Injector Nozzle	07925-12	1
2	Flange	07628-02	1	46	O-ring	07925-13	2
3	Oil Seal	07628-03	1	47	Pressure Outlet	07925-14	1
4	Bearing	07628-04	1	48	Spring (See 07575-20)	N/A Sep.	1
5	Shaft	07628-05	1	49	Ball (See 07575-20)	N/A Sep.	1
6	O-ring	07628-06	1	50	O-ring (See 07575-20)	N/A Sep.	1
7	Wobble Plate	07628-07	1	51	Injector Nipple	07925-15	1
8	Washer	07628-08	1	52	Injector Spring	07925-16	1
9	Bolt	07628-09	1	53	O-ring (See 07575-20)	N/A Sep.	2
10	Bearing Disc	07628-10	1	54	Injector Piston	07925-17	1
11	Bearing	07628-11	1	55	Flexible Ring	07925-18	1
12	Bearing Disc	07628-12	1	56	Injector Regulation Knob	07925-19	1
13	Pump Housing	07628-13	1	57	Garden Hose Connection	07628-34	1
14	Piston Spring Retainer	07628-14	3	58	Gasket	07628-35	1
15	Piston	07925-01	3	59	Inlet Connector	07925-22	1
16	Piston Spring	07628-16	3	60	O-ring	07925-23	2
17	Oil Drain Plug	07628-17	3	61	Screw	07925-24	2
18	Gasket	07628-18	3	62	Manifold	07925-25	1
19	Lockwasher	07628-19	8	63	Manifold Plug	07925-26	1
20	Bolt	07628-20	4	64	Screw	07628-44	1
21	Oil Seal (See 07575-06)	N/A Sep.	3	65	Bolt	07925-27	4
22	O-ring (See 07575-16)	N/A Sep.	3	66	Back-up Ring	07628-50	2
23	O-ring (See 07575-16)	N/A Sep.	3	67	Piston By-pass (See 07575-19)	N/A Sep.	1
24	V-Packing Retainer	07628-69	3	68	Pressure Regulator (See 07575-19)	N/A Sep.	1
25	V-Packing (See 07575-16)	N/A Sep.	3	69	Roll Pin	07925-28	1
26	Pack Ring (See 07575-16)	N/A Sep.	3	70	Back-up Ring (See 07575-19)	N/A Sep.	1
27	Valve Plug	07628-22	6	71	Plug (See 07575-19)	N/A Sep.	1
28	O-ring	07628-23	12	72	Washer	07925-29	1
29	Valve Complete (See 07575-17)	N/A Sep.	6	73	Pressure Regulation Spring	07925-30	1
30	Valve Cage (See 07575-17)	N/A Sep.	6	74	Washer	07925-31	1
31	Valve Spring (See 07575-17)	N/A Sep.	6	75	Pressure Regulation Screw	07925-32	1
32	Valve Plate (See 07575-17)	N/A Sep.	6	76	Screw Support	07925-33	1
33	Valve Seat (See 07575-17)	N/A Sep.	6	77	Bolt	07925-34	1
34	Screw	07628-24	2	78	Internal Screw	07925-35	1
35	O-ring	07628-29	2	79	Pressure Regulation Knob	07925-36	1
36	Valve Seat	07925-03	1	80	Screw	07925-37	1
37	Ball	07925-04	1	81	Cap	07628-63	1
38	Valve Spring	07925-05	1		Oil Seal Kit (3 each of 21)	07575-06	
39	O-ring	07925-06	3		V-Packing Kit (3 each of 22, 23, 25, 26)	07575-16	
40	Plug	07925-07	1		Valve Kit (6 each of 28 & 29)	07575-17	
41	O-ring	07925-08	1		Unloader Seat (1 each 35-40)	07925-38	
42	No Return Valve	07925-09	1		Unloader Stem Kit (1 each of 35, 39, 53, 66-81)	07575-19	
43	Spring	07925-10	1		Injector Repair Kit (1 ea. 48-50, 53)	07575-20	
44	Injector Body	07925-11	1		Manifold Assy. (1 each 22-56, 59-64, 66-81)	07925-40	

CUSTOMER ASSISTANCE

FOR THE LOCATION OF YOUR NEAREST HOMELITE SERVICING DEALER
IN THE UNITED STATES, PUERTO RICO, AND THE VIRGIN ISLANDS,

CALL: 1-800-242-4672

HEADQUARTERS

Homelite, Inc.
P.O. BOX 7047
CHARLOTTE, N.C. 28241

OVERSEAS OFFICES

NETHERLANDS

Homelite Netherlands B.V.
A Deere & Company Affiliate
Haverstraat 24
2153 GB Nieuw Vennep
The Netherlands

FRANCE

Homelite Atlantic SARL
Groupe Deere & Co.
BP 7011
95050 Cergy Pontoise Cedex
France

AUSTRALIA

Homelite Pacific Ltd.
A Deere & Company Affiliate
ACN 008 683 538
94 Rushdale Street
P. O. Box 555 MDA
Knoxfield Vic 3180
Australia

CANADIAN OFFICES

Homelite Canada Limited

Homelite Canada Limitée

A Deere & Company Affiliate /
Une Filiale de Deere & Company
1850-55e/th Avenue
Lachine, Québec, Canada H8T 3J5
1-800-363-5715

UNIT 212-214, 590 Ebury Place
New Westminster, B.C. V3M 6K7
1-800-667-3128

20-D Voyager Court South
Etobicoke, Ontario M9W 5M7
1-800-465-2249

Homelite inc.
A Subsidiary of Deere & Company