

# Homelite®

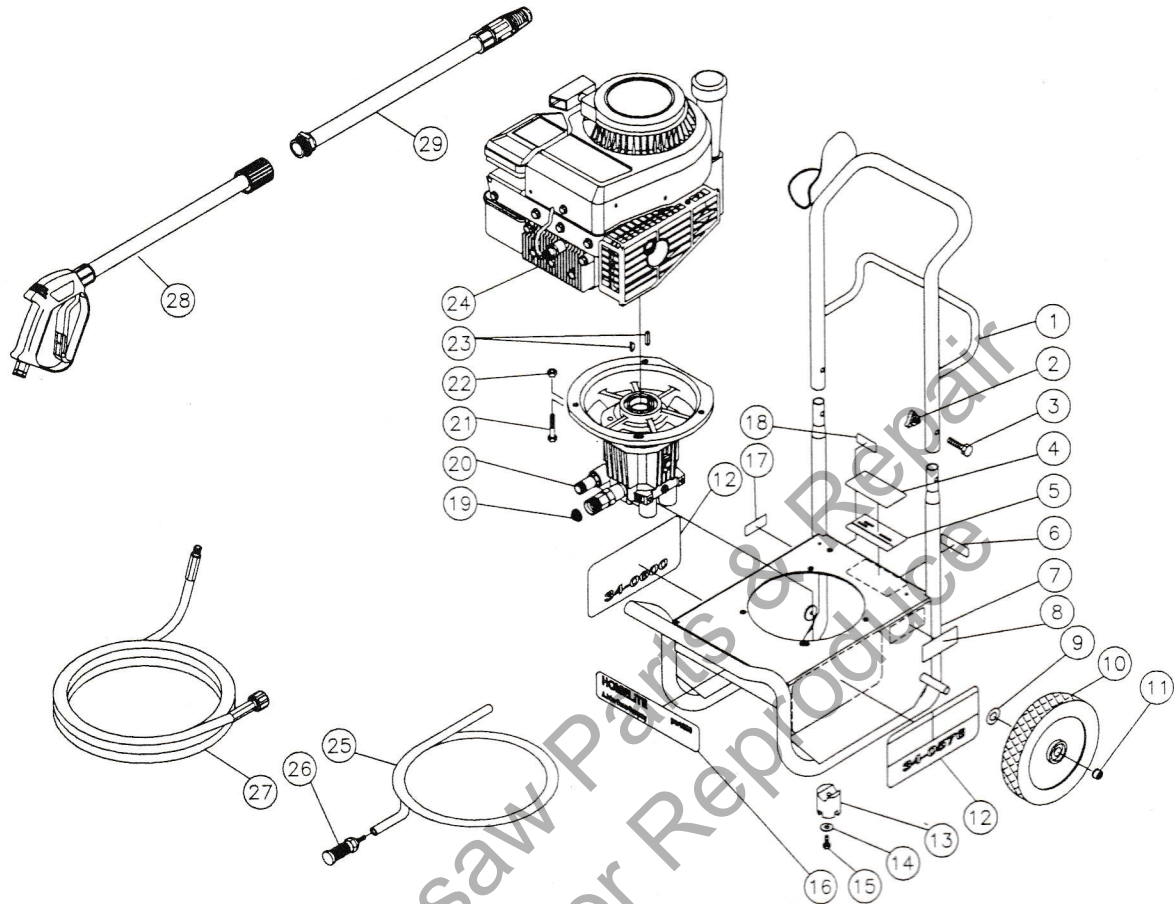
## PW1500

UT01815

Engine Oil Grade:	30W SE/SF/SG
Engine Oil Capacity:	19 oz.
Pump Oil Grade:	SAE 30W Non-Detergent
Pump Oil Capacity (Sealed):	8 oz.
Nozzle Size:	1.2 mm

P/N 19675

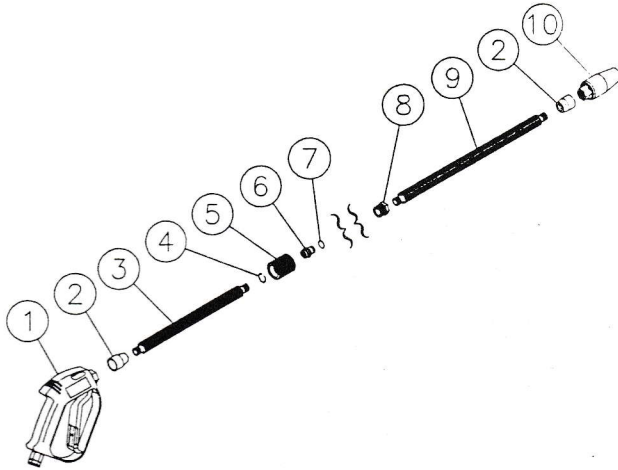
# FRAME ASSEMBLY FOR PW1500



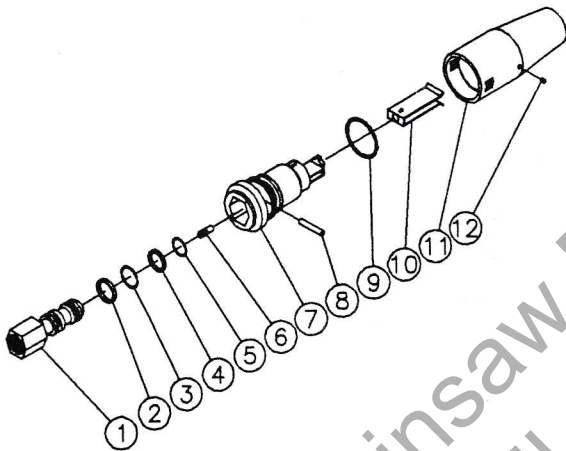
PW-1500 FRAME ASSEMBLY

REF. #	DESCRIPTION	PART #	QTY.	REF. #	DESCRIPTION	PART #	QTY.
1	Handle	07575-22	1	16	Decal-1500 PSI	07575-35	1
2	Knob	07575-23	2	17	Decal-Caution: Allow to Cool	07575-26	1
3	Bolt	07575-24	2	18	Decal-Adjustable Pressure	07575-86	1
4	Decal-Clear Laminate	07575-42	1	19	Filter	07575-07	1
5	Decal-Silver Sticker	07575-48	1	20	Pump	07575-51	1
6	Decal-Serial Number	N/A	1	21	Bolt	07575-38	3
7	Frame	07575-25	1	22	Locknut	07575-39	3
8	Decal-Warning: Muffler Hot	07575-37	1	23	Key-Woodruff	07575-40	1
9	Washer	07575-27	2		Key-Square	07575-41	1
10	Wheel	07575-28	2	24	Engine-3.75 HP Briggs & Stratton	07575-89	1
11	Hub Cap	07575-29	2	25	Detergent Hose (4 feet required)	07575-09	1
12	Decal-Warn/Caution/Operate English	07575-30	1	26	Detergent Strainer	07575-08	1
	Decal-Warn/Caut./Operate Spanish	07575-31	1	27	Pressure Hose	07575-03	1
13	Isolator	07575-32	2	28	Gun Assembly	07575-01	1
14	Washer	07575-33	2	29	Variable Nozzle Assembly 1.2mm	07575-02	1
15	Screw	07575-34	2				

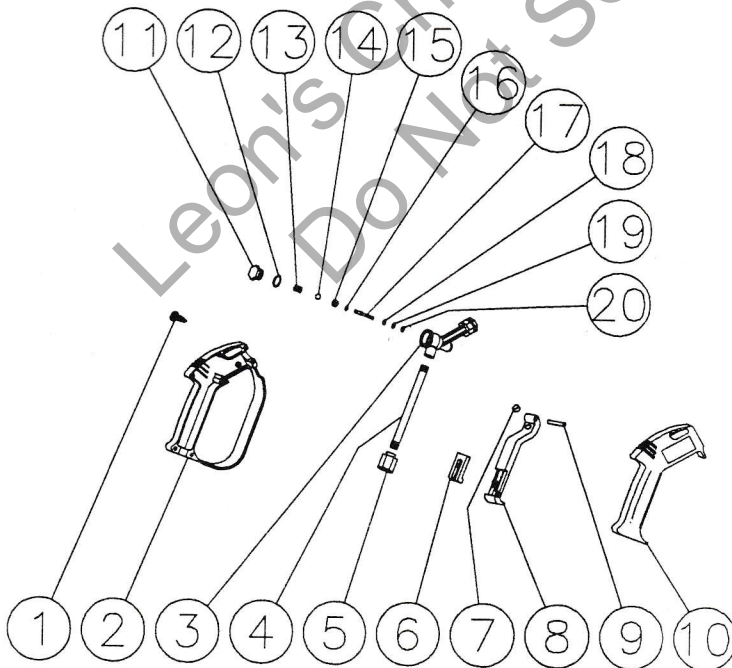
# GUN & LANCE ASSEMBLY FOR PW1500



GUN (07575-01) & NOZZLE (07575-02) COMPLETE			
Ref. #	Description	Part #	Qty.
1	Gun Assembly	07575-12	1
2	Protective Cover	07575-52	2
3	Insulated Lance	07575-53	1
4	Retaining Ring	07575-54	1
5	Hand Wheel	07575-55	1
6	Plug/Screw Connect	07575-56	1
7	O-ring	07575-14	1
8	Adapter	07575-57	1
9	Insulated Lance	07575-58	1
10	Variable Nozzle (1.2mm)	07575-13	1
	Gun W/Lance (Includes 1-7)	07575-01	
	Nozzle W/Lance (Inc. 2, 8-10)	07575-02	



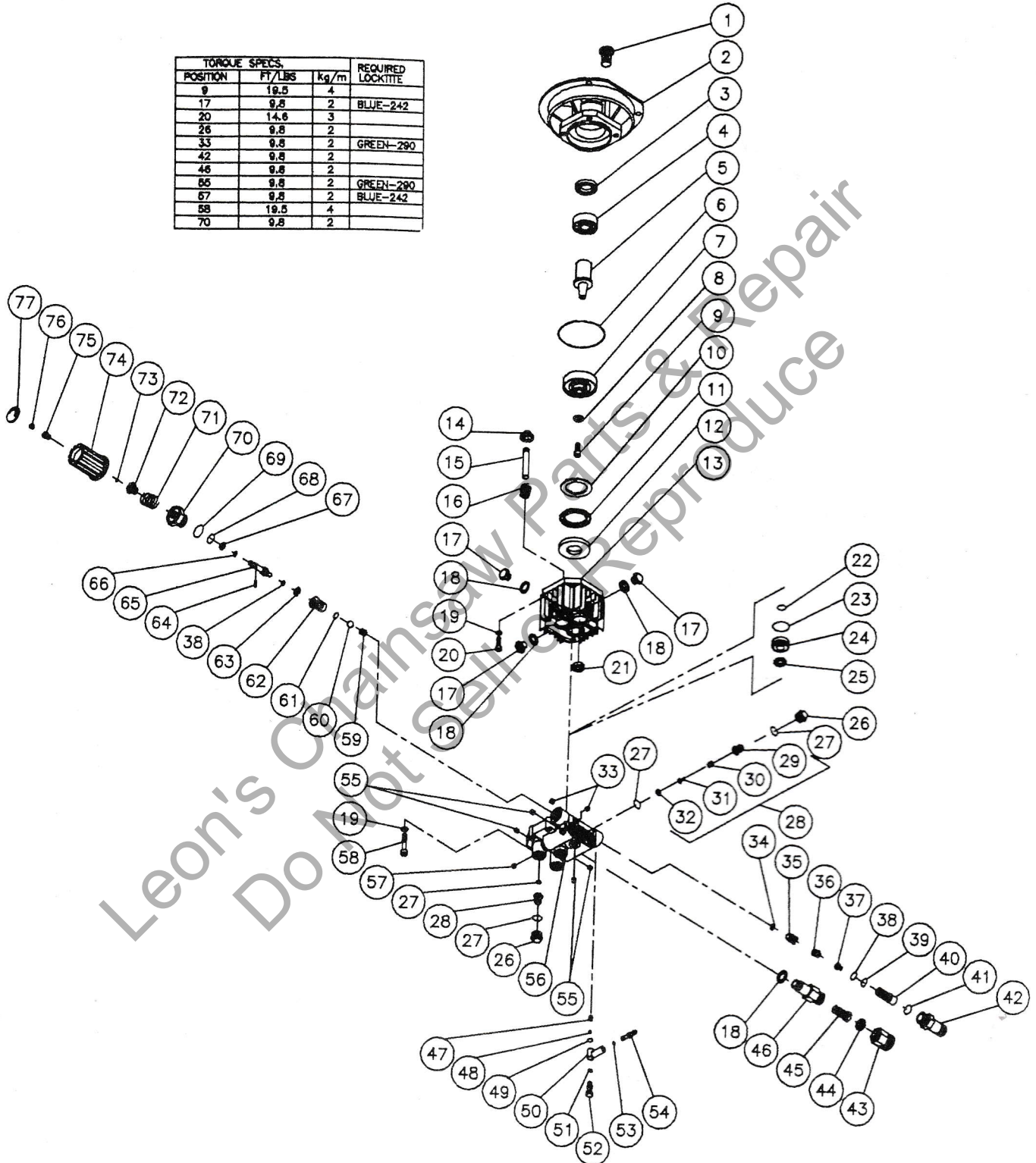
VARIABLE NOZZLE (07575-13)			
REF. #	DESCRIPTION	PART #	QTY.
1	Nozzle Body	07575-59	1
2	Back-up Ring	07575-60	1
3	O-ring	07575-61	1
4	Back-up Ring	07575-62	1
5	O-ring	07575-63	1
6	Nozzle 1.2mm	07575-64	1
7	Plastic Housing	N/A	1
8	Pin	07575-65	1
9	O-ring	07575-66	1
10	Angle Plate	07575-67	1
11	Nozzle Protector	07575-68	1
12	Identification Pin (1.2mm / Yellow)	07575-69	1
	Variable Nozzle Assembly Complete	07575-13	



GUN (07575-12)			
REF. #	DESCRIPTION	PART #	QTY.
1	Screw	07575-70	13
2	Plastic Housing (Left Side)	07575-71	1
3	Housing	07575-72	1
4	Pipe	07575-73	1
5	Nipple	07575-74	1
6	Trigger Safety Lock	07575-75	1
7	Trigger Rest	07575-76	1
8	Trigger	07575-77	1
9	Trigger Pin	07575-78	1
10	Plastic Housing (Right Side)	07575-79	1
11	Plug	N/A	1
12	O-ring	N/A	1
13	Spring	N/A	1
14	Ball	N/A	1
15	Seat	N/A	1
16	O-ring	N/A	1
17	Pin	N/A	1
18	Washer	N/A	1
19	O-ring	N/A	1
20	Back-up Ring	N/A	1
	Gun Assembly	07575-12	1

# PUMP ASSEMBLY (07575-51) FOR PW1500

TORQUE SPECS.			REQUIRED LOCKTITE
POSITION	FT/LBS	Kg/m	
9	19.5	4	
17	9.8	2	BLUE-242
20	14.6	3	
26	9.8	2	
33	9.8	2	GREEN-290
42	9.8	2	
46	9.8	2	
55	9.8	2	GREEN-290
57	9.8	2	BLUE-242
58	19.5	4	
70	9.8	2	



PUMP ASSEMBLY (07575-51) FOR PW-1500								
REF #	DESCRIPTION	PART #	QTY		REF #	DESCRIPTION	PART #	QTY
1	Vent	07628-01	1		43	Garden Hose Connection	07628-34	1
2	Flange	07628-02	1		44	Gasket	07628-35	1
3	Oil Seal	07628-03	1		45	Filter Inlet	07628-36	1
4	Bearing	07628-04	1		46	Inlet Connector	07628-37	1
5	Shaft	07628-05	1		47	Spring (See 07628-67)	N/A Sep.	1
6	O-ring	07628-06	1		48	Ball (See 07628-67)	N/A Sep.	1
7	Wobble Plate	07628-07	1		49	O-ring (See 07628-67)	N/A Sep.	1
8	Washer	07628-08	1		50	Plastic Fitting	07628-38	1
9	Bolt	07628-09	1		51	O-ring (See 07628-67)	N/A Sep.	1
10	Bearing Disc	07628-10	1		52	Banjo Fitting	07628-39	1
11	Bearing	07628-11	1		53	O-ring	07628-40	1
12	Bearing Disc	07628-12	1		54	Hose Barb	07628-41	1
13	Pump Housing	07628-13	1		55	Screw	07628-42	4
14	Piston Spring Retainer	07628-14	3		56	Pump Manifold	07628-43	1
15	Piston	07628-15	3		57	Screw	07628-44	1
16	Piston Spring	07628-16	3		58	Screw	07628-45	4
17	Oil Drain Plug	07628-17	3		59	Spring	07628-46	1
18	Gasket	07628-18	3		60	Ball	07628-47	1
19	Lockwasher	07628-19	8		61	O-ring	07628-48	1
20	Bolt	07628-20	4		62	Valve Seat	07628-49	1
21	Oil Seal (See 07575-06)	N/A Sep.	3		63	Back-up Ring	07628-50	1
22	O-ring (See 07575-04)	N/A Sep.	3		64	Roll Pin	07628-51	1
23	O-ring (See 07575-04)	N/A Sep.	3		65	Piston By-pass Valve (See 07575-45)	N/A Sep.	1
24	Packing Retainer	07628-21	3		66	O-ring	07628-52	1
25	Pressure Seal (See 07575-04)	N/A Sep.	3		67	Back-up Ring	07628-53	1
26	Valve Plug	07628-22	6		68	O-ring	07628-54	1
27	O-ring	07628-23	12		69	O-ring	07628-55	1
28	Valve Complete (See 07628-64)	N/A Sep.	6		70	Body By-pass Valve	07628-56	1
29	Valve Cage (See 07628-64)	N/A Sep.	6		71	Pressure Regulator Spring-1500 PSI	07628-57	1
30	Valve Spring (See 07628-64)	N/A Sep.	6		72	Pressure Regulator Screw	07628-58	1
31	Valve Plate (See 07628-64)	N/A Sep.	6		73	Snap Ring	07628-59	1
32	Valve Seat (See 07628-64)	N/A Sep.	6		74	Pressure Regulation Knob	07628-60	1
33	Screw	07628-24	2		75	Screw	07628-61	1
34	O-ring	07628-25	1		76	Screw	07628-62	1
35	No Return Valve	07628-26	1		77	Cap	07628-63	1
36	Spring	07628-27	1			Oil Seal Kit (3 each 21)	07575-06	
37	Injector Nozzle	07628-28	1			Packing Kit (3 each 22, 23, 25)	07575-04	
38	O-ring	07628-29	2			Valve Kit (6 each 27 & 28)	07628-64	
39	O-ring	07575-14	1			Unloader Check Valve Kit (1 each 34-40)	07628-65	
40	Injector Bushing	07628-31	1			Unloader Stem Kit (1 ea. 34-36, 38, 59-77)	07628-66	
41	O-ring	07628-32	1			Injector Repair Kit (1 ea. 47-49, 51)	07628-67	
42	Outlet Connector	07628-33	1			Manifold Assembly (1 ea. 21-42, 46-57, 59-77)	07628-68	

## **CUSTOMER ASSISTANCE**

FOR THE LOCATION OF YOUR NEAREST HOMELITE SERVICING DEALER  
IN THE UNITED STATES, PUERTO RICO, AND THE VIRGIN ISLANDS,

**CALL: 1-800-242-4672**

### **HEADQUARTERS**

**Homelite, Inc.**  
P.O. BOX 7047  
CHARLOTTE, N.C. 28241

### **OVERSEAS OFFICES**

#### **NETHERLANDS**

**Homelite Netherlands B.V.**  
A Deere & Company Affiliate  
Haverstraat 24  
2153 GB Nieuw Vennep  
The Netherlands

#### **FRANCE**

**Homelite Atlantic SARL**  
Groupe Deere & Co.  
BP 7011  
95050 Cergy Pontoise Cedex  
France

#### **AUSTRALIA**

**Homelite Pacific Ltd.**  
A Deere & Company Affiliate  
ACN 008 683 538  
94 Rushdale Street  
P. O. Box 555 MDA  
Knoxfield Vic 3180  
Australia

### **CANADIAN OFFICES**

#### **Homelite Canada Limited**

#### **Homelite Canada Limitée**

A Deere & Company Affiliate /  
Une Filiale de Deere & Company  
1850-55e/th Avenue  
Lachine, Québec, Canada H8T 3J5  
1-800-363-5715

UNIT 212-214, 590 Ebury Place  
New Westminster, B.C. V3M 6K7  
1-800-667-3128

20-D Voyager Court South  
Etobicoke, Ontario M9W 5M7  
1-800-465-2249

# **Homelite**.inc.

A Subsidiary of Deere & Company