

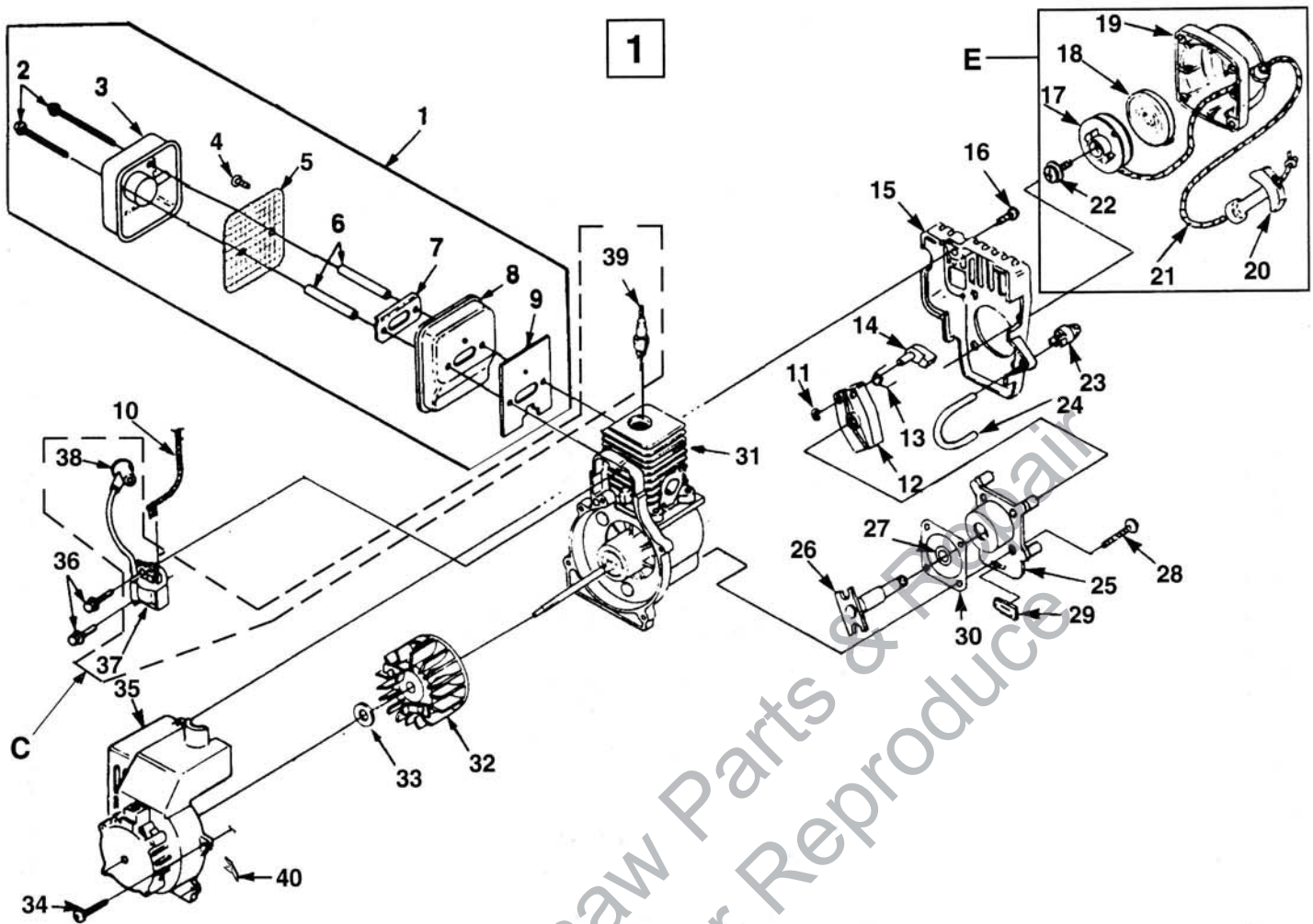
Homelite®

- GB PARTS LIST
- F LISTE DE PIÈCES
- NL ONDERDELENLIJST
- D TEILELISTE
- I ELENCO DEI PEZZI
- E LISTA DE PIEZAS
- P LISTA DE PEÇAS

PSE3000
(UT20610-C)



Printed in U.S.A.
Imprimé aux E.-U.
Gedruckt in de V.S.
Gedruckt in den U.S.A.
Stampato negli Stati Uniti.
Impreso en EE.UU.
Impresso nos E.U.A.
P/N 19076-A



N	PN	D	Q
1	•A-04837	MUFFLER-Complete	1
2	88060	SCREW-Sems Hex Hd. (10-24 X 2 1/5")	2
3	A- 04786	COVER-Muffler	1
4	82367	SCREW	1
5	04790	SCREEN-Spark	1
6	04785	SPACER-Muffler	2
7	98783	PLATE-Reinforcing	1
8	04710	MUFFLER BODY	1
9	98786-C	GASKET-Muffler	1
10	A-00681	LEAD-Electrical	1
11	04018-04	RETAINING RING	1
12	04018-01	CUP-Starter	1
13	04018-03	SPRING-Starter	1
14	04018-02	PAWL-Starter	1
15	04023	COWLING-Engine	1
16	82541	SCREW-Thread EForming (#10 X 1/2")	1
E	•A- 04069	STARTER-Complete	1
17	04069-05	PULLEY-Starter	1
18	04069-06	SPRING-Recoil	1
19	04069-01	HOUSING-Starter	1
20	04069-02	GRIP-Starter	1
21	04069-03	ROPE-Starter	1
22	04069-04	SCREW-Set	1

N	PN	D	Q
23	01183	BULB-Air Purge	1
24	01439-32	RUBBER TUBING (8")	1
25	•A-04017-2	CRANKCASE COVER - included w/A-06262-B	1
26	04016-B	SHAFT-Starter	1
27	04589	SPACER	1
28	82538	SCREW-Thread Form. (10-24 X 3/4")	4
29	98792	BUMPER-Rubber	1
30	98767-A	GASKET-Crankcase	1
31	**	SHORT BLOCK	1
32	A-04158	ROTOR & STARTER PAWL	1
33	95479-A	WASHER-Flat	1
34	82538	SCREW-Thread Form. (10-24 X 3/4")	4
35	A-06982	HOUSING-Engine w/Decals	1
36	82540	SCREW-Thread Form. (8-32 X 1")	2
C	•A-04446	IGNITION KIT	1
37	94711-CS	MODULE	1
38	A-33055	TERMINAL & COVER	1
39	96169-S	SPARK PLUG (DJ-7Y)	1
40	02851	TAB-Male	1

No.
N°
Nr.
Nr.
N°
N°
No.
N°

N

Part No.
Pièce N°
Stuknummer
Teil Nr.
Pezzo N°
No. de pieza
N° da peça

PN

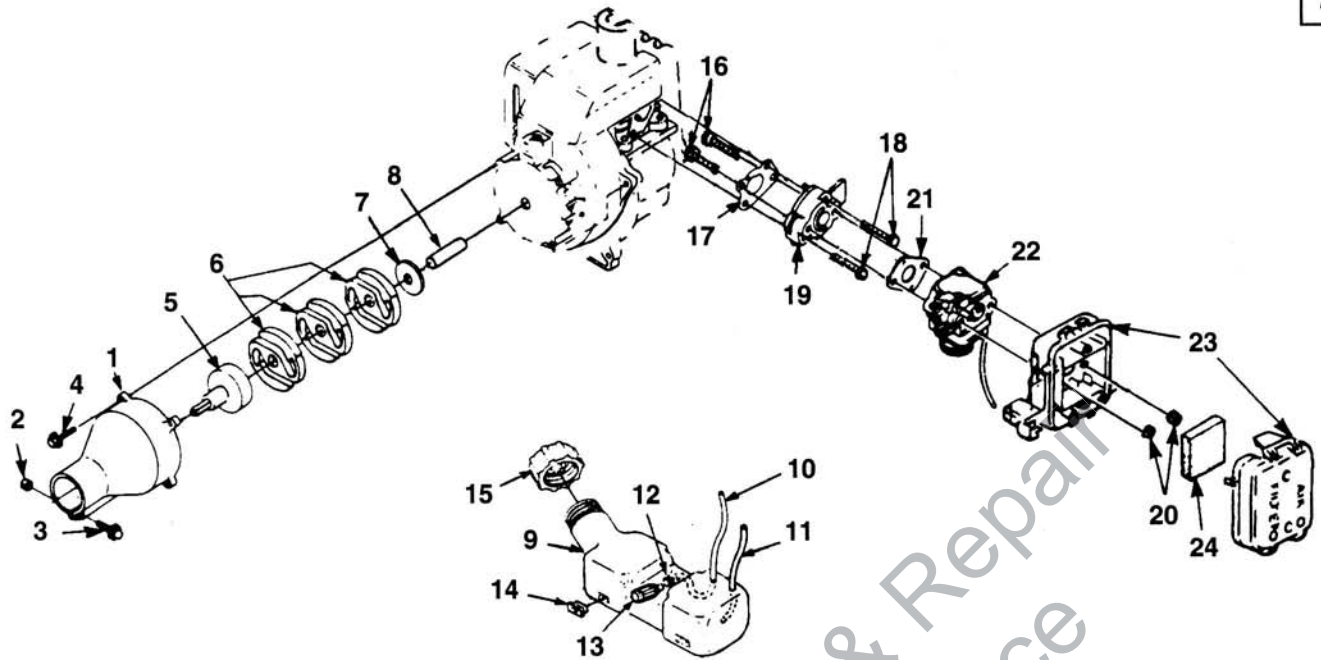
DESCRIPTION — D

Quantity
Aantal
Menge
Quantità
Cantidad
Quantidade

Q

Assemblies
Ensembles
Assemblages
Bausätze
Compressi
Conjuntos
Conjuntos

•



N	PN	D	Q
1	•A-02396-A	TUBE ADAPTOR KIT	1
2	81208	NUT-Hex (10-24)	1
3	88054	SCREW-Sems Hex Hd. (10-24 X 1 1/4")	1
4	88052	SCREW-Sems Hex Hd. (10-24 X 7/8")	4
5	•A-04655	DRUM & CONNECTOR	1
6	00242	CLUTCH	3
7	03372	WASHER-Clutch	1
8	03566-1	SPACER	1
9	•A-04658	FUEL TANK	1
10	01439-17	TUBING-Rubber (4 1/4")	1
11	94772-30	TUBING-Rubber (7 1/2")	1
12	98268-A	CLAMP-Wire	1
13	49422	FILTER-Fuel	1
14	98792	BUMPER-Rubber	3
15	A-00982-A	CAP-Fuel Tank	1
16	04474	SCREW-Hex Hd. (10-24 X 2 1/4")	2
17	00775-A	GASKET-Heat Dam	1
18	82549-1	SCREW-Taptite, Torx (10-24 X 1")	2
19	00864-B	HEAT DAM	1
20	81208	NUT-Hex (10-24)	2
21	98766-A	GASKET-Carburetor	1
22	A-02607	CARBURETOR (Walbro)	1
23	•A-04707	AIR FILTER KIT	1
24	D-98760-B	FILTER-Air	1

No.
N°
Nr.
N°
No.
N°

N

Part No.
Pièce N°
Stuknummer
Teil Nr.
Pezzo N°
No. de pieza
N° da peça

PN

DESCRIPTION

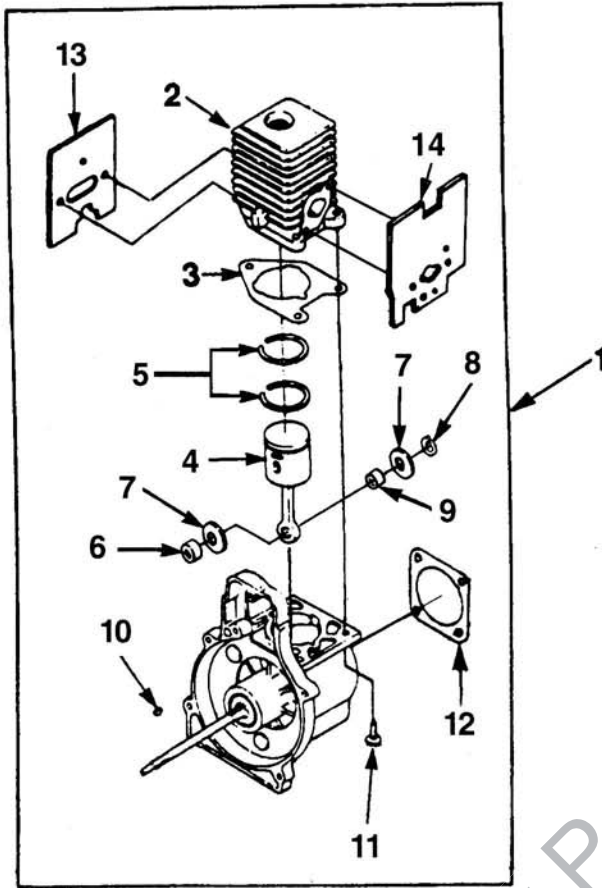
D

Quantity
Quantité
Aantal
Menge
Quantità
Cantidad
Quantidade

Q

Assemblies
Ensembles
Assemblages
Bausätze
Complessi
Conjuntos
Conjuntos

•



N	PN	D	Q
1	•A-06262-B	SHORT BLOCK	1
2	•A-04740-B	CYLINDER & GASKET	1
3	04388-B	GASKET-Cylinder	1
4	•A-06291-A	PISTON & ROD	1
5	03179	RING-Piston	2
6	04860	SPACER-Bearing	1
7	00118	WASHER-Thrust	2
8	03796	RING-Retaining	1
9	02461	BEARING-Needle	1
10	69250	KEY-Woodruff	1
11	82580-1	SCREW-Machine Pan Hd. (12-24 X 3/4")	3
12	98767-A	GASKET-Crankcase	1
13	98786-C	GASKET-Muffler	1
14	00775-A	GASKET-Heat Dam	1
*	A- 04017-2	CRANKCASE COVER (Page 2)	1

No.
N°
Nr.
Nr.
N°
No.
N°

N

Part No.
Pièce N°
Stuknummer
Teil Nr.
Pezzo N°
No. de peça
N° da peça

PN

DESCRIPTION

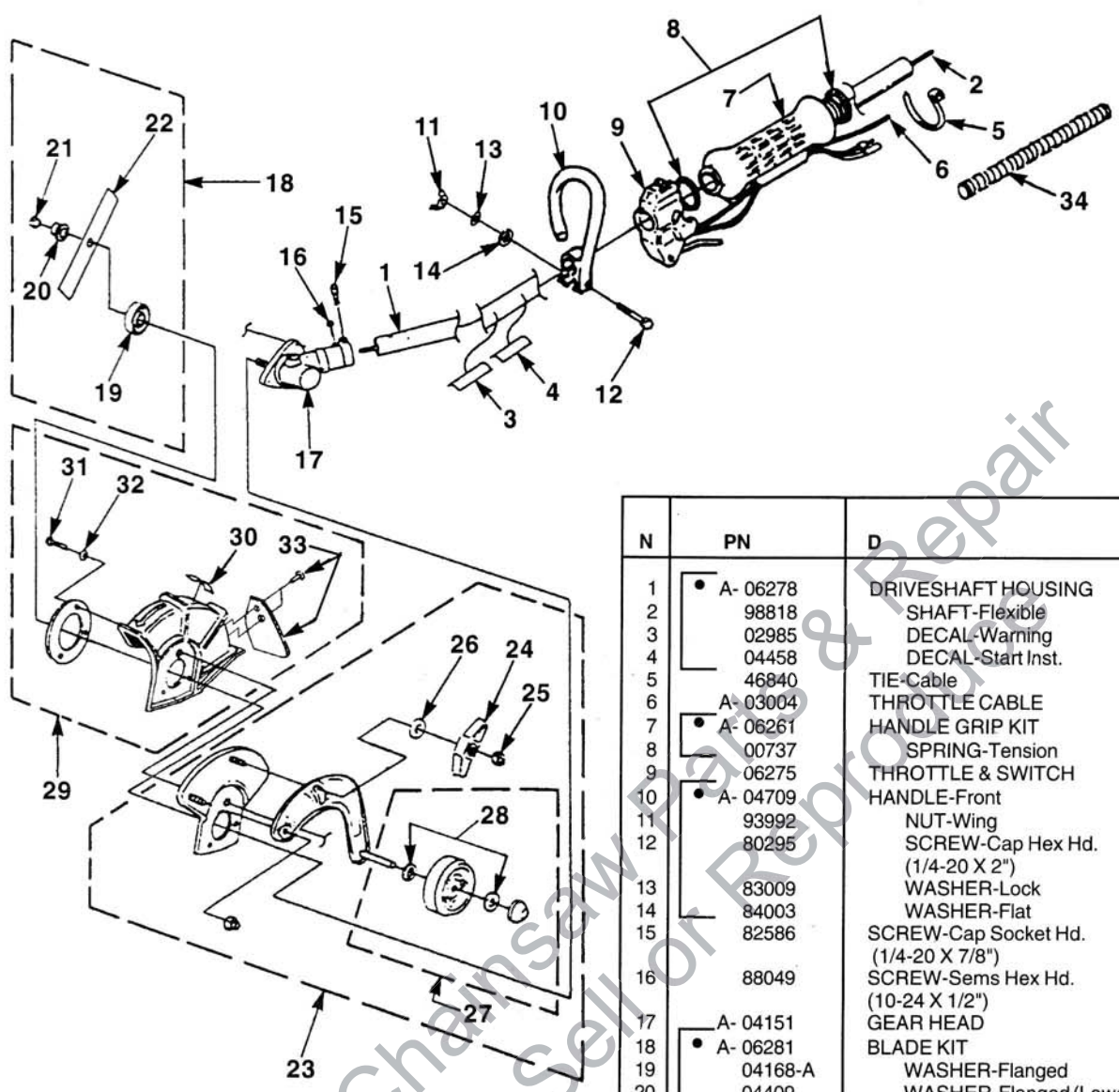
D

Quantity
Quantité
Aantal
Menge
Quantità
Cantidad
Quantidade

Q

Assemblies
Ensembles
Assemblages
Bausätze
Complessi
Conjuntos
Conjuntos

•

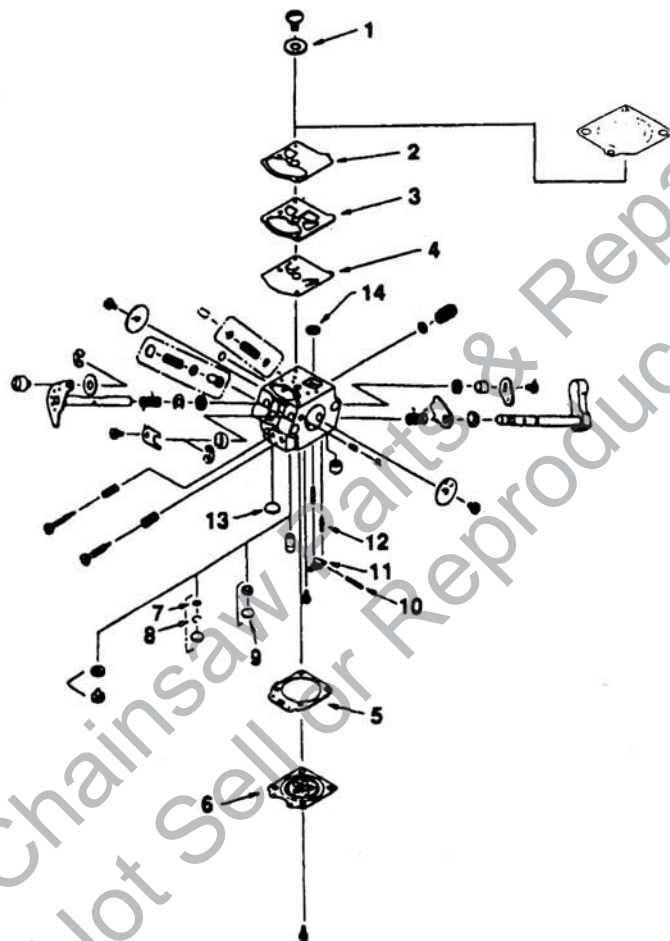


N	PN	D	Q
1	• A- 06278	DRIVESHAFT HOUSING	1
2	98818	SHAFT-Flexible	1
3	02985	DECAL-Warning	1
4	04458	DECAL-Start Inst.	1
5	46840	TIE-Cable	1
6	A- 03004	THROTTLE CABLE	1
7	• A- 06261	HANDLE GRIP KIT	1
8	00737	SPRING-Tension	2
9	06275	THROTTLE & SWITCH	1
10	• A- 04709	HANDLE-Front	1
11	93992	NUT-Wing	1
12	80295	SCREW-Cap Hex Hd. (1/4-20 X 2")	1
13	83009	WASHER-Lock	1
14	84003	WASHER-Flat	1
15	82586	SCREW-Cap Socket Hd. (1/4-20 X 7/8")	1
16	88049	SCREW-Sems Hex Hd. (10-24 X 1/2")	1
17	A- 04151	GEAR HEAD	1
18	• A- 06281	BLADE KIT	1
19	04168-A	WASHER-Flanged	1
20	04409	WASHER-Flanged(Lower)	1
21	04277	NUT-Lock	1
22	D- 04359	BLADE, 2" X 9" (Qty.-2)	1
23	• A- 06280	SUPPORT ARM ASSEMBLY	1
24	06364	KNOB-Adjusting	1
25	81162	NUT-Hex	1
26	84010	WASHER-Flat	1
27	• A- 06279	WHEEL KIT	1
28	84010	WASHER-Flat	2
29	• A- 06277-A	GUARD KIT	1
30	03871	DECAL-Warning	1
31	82593	SCREW-Hex Hd. (10-24 X 5/8")	3
32	83046	WASHER-Lock (#10)	3
33	A- 06296	FLAP KIT	1
34	00684	SLEEVING (Cut length to 10")	1

No. N° Nr. Nr. N° No. N°	-	Part No. Pièce N° Stuknummer Teil Nr. Pezzo N° No. de pieza N° da peça	-	DESCRIPTION	-	Quantity Quantité Aantal Menge Quantità Cantidad Quantidade	-	Assemblies Ensembles Assemblages Bausätze Compressi Conjuntos Conjuntos
--------------------------------------------	---	------------------------------------------------------------------------------------------	---	-------------	---	-------------------------------------------------------------------------------	---	-------------------------------------------------------------------------------------------

WALBRO A-02607

5



- (GB) **Repair Kit (1-14)** 06315
- (F) **Jeu de réparation**
- (NL) **Reparatieset**
- (D) **Reparaturatz**
- (I) **Kit per riparazioni**
- (E) **Juego de reparación**
- (P) **Jogo de reparacão**

- (GB) **Gasket/Diaphragm Kit (2-6)** 06314
- (F) **Jeu joint/diaphragme**
- (NL) **Pakking/membraan set**
- (D) **Dichtung/Membrane-Satz**
- (I) **Kit diaframma/guarnizione**
- (E) **Conjunto junta/diafragma**
- (P) **Jogo de juntas vendantes/diafragmas**

- Ⓚ NOTES
- Ⓛ NOTES
- Ⓜ OPMERKINGEN
- Ⓝ NOTIZEN
- Ⓢ NOTE
- ⓔ NOTAS
- Ⓟ NOTAS

Leon's Chainsaw Parts & Repair
Do Not Sell or Reproduce

(W) **SYMBOL DEFINITIONS**
 (F) **DÉFINITIONS DES SYMBOLES**
 (NL) **OMSCHRIJVING VAN SYMBOLEN**
 (D) **ERKLÄRUNG DER SYMBOLE**
 (I) **DEFINIZIONE DEI SIMBOLI**
 (E) **SIGNIFICADO DE LOS SIMBOLOS**
 (P) **DEFINIÇÕES DE SÍMBOLOS**



- (W) Danger/Warning/Caution
- (F) Danger/Avertissement/Attention
- (NL) Gevaar/Waarschuwing/Opgelet
- (D) Gefahr/Achtung/Vorsicht
- (I) Pericolo/Attenzione/Avvertenza
- (E) Peligro/Advertencia/Precaución
- (P) Perigo/Advertência/Precaução



- (W) Read your product literature.
- (F) Lire les publications sur le produit.
- (NL) Lees uw produkt Informatie.
- (D) Die Geräte-Beschreibungen und Anleitungen lesen.
- (I) Leggere la documentazione del prodotto.
- (E) Lea el manual del producto.
- (P) Ler a literatura sobre o equipamento.



- (W) Wear hearing and eye protection devices.
- (F) Porter des protège-oreilles et une protection des yeux.
- (NL) Draag een veiligheidsbril oorbeschermers.
- (D) Ohren- und Augenschutz tragen.
- (I) Indossare protezione oculare ed acustica.
- (E) Use equipo de protección de los oídos y ojos.
- (P) Usar acessórios de protecção para os olhos e para os ouvidos.

CUSTOMER ASSISTANCE

FOR THE LOCATION OF YOUR NEAREST HOMELITE SERVICING DEALER
IN THE UNITED STATES, PUERTO RICO, AND THE VIRGIN ISLANDS,

CALL: 1-800-242-4672

HEADQUARTERS

Homelite, Inc.
P.O. BOX 7047
CHARLOTTE, N.C. 28241

OVERSEAS OFFICES

NETHERLANDS

Homelite Netherlands B.V.
A Deere & Company Affiliate
Haverstraat 24
2153 GB Nieuw Vennepe
The Netherlands

FRANCE

Homelite Atlantic SARL
Groupe Deere & Co.
BP 7011
95050 Cergy Pontoise Cedex
France

AUSTRALIA

Homelite Pacific Ltd.
A Deere & Company Affiliate
ACN 008 683 538
94 Rushdale Street
P. O. Box 555 MDA
Knoxfield Vic 3180
Australia

CANADIAN OFFICES

Homelite Canada Limited

Homelite Canada Limitée

A Deere & Company Affiliate /
Une Filiale de Deere & Company
1850-55e/th Avenue
Lachine, Québec, Canada H8T 3J5
1-800-363-5715

UNIT 212-214, 590 Ebury Place
New Westminster, B.C. V3M 6K7
1-800-667-3128

20-D Voyager Court South
Etobicoke, Ontario M9W 5M7
1-800-465-2249

Homelite^{INC.}

A Subsidiary of Deere & Company