

# HOMELITE®

## PARTS LIST

# MP-88

## MULTI-PURPOSE SAW

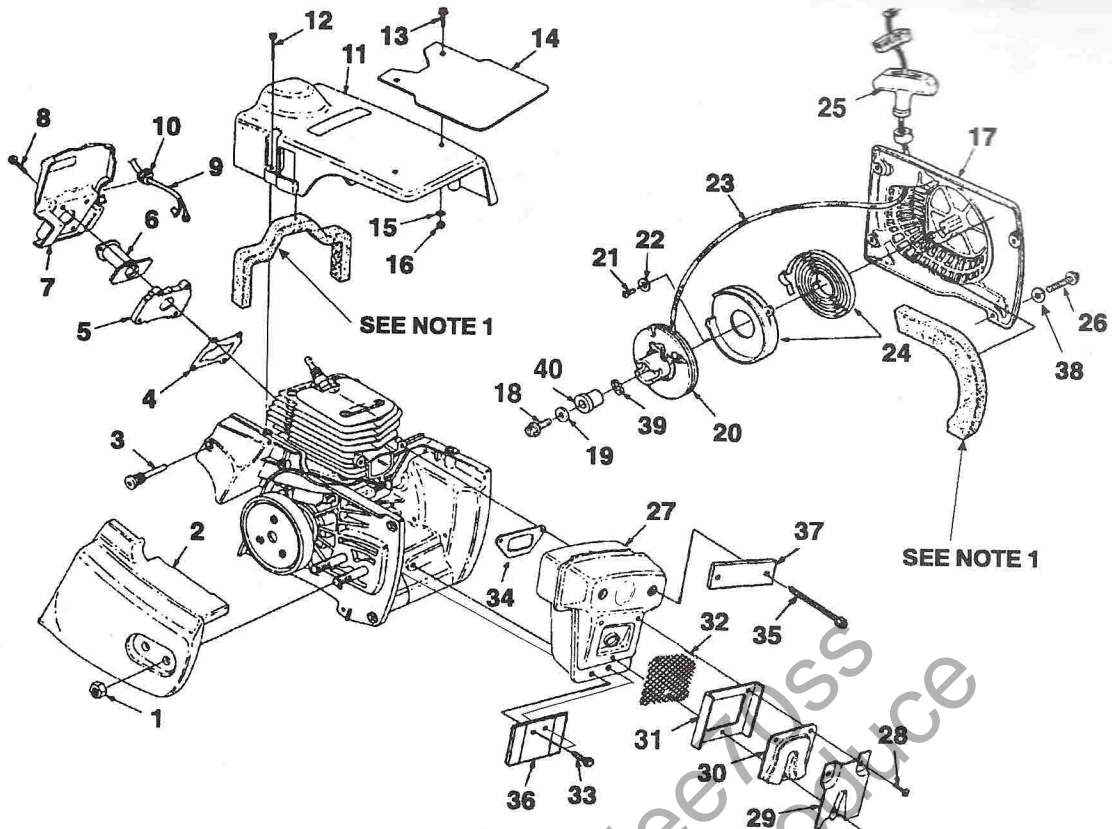
UT 05051

Courtesy of [www.mach70ss.com](http://www.mach70ss.com)  
Do Not Sell or Reproduce



PART NO. 18704  
Printed in U.S.A.

**MP-88**  
**FIGURE 1**



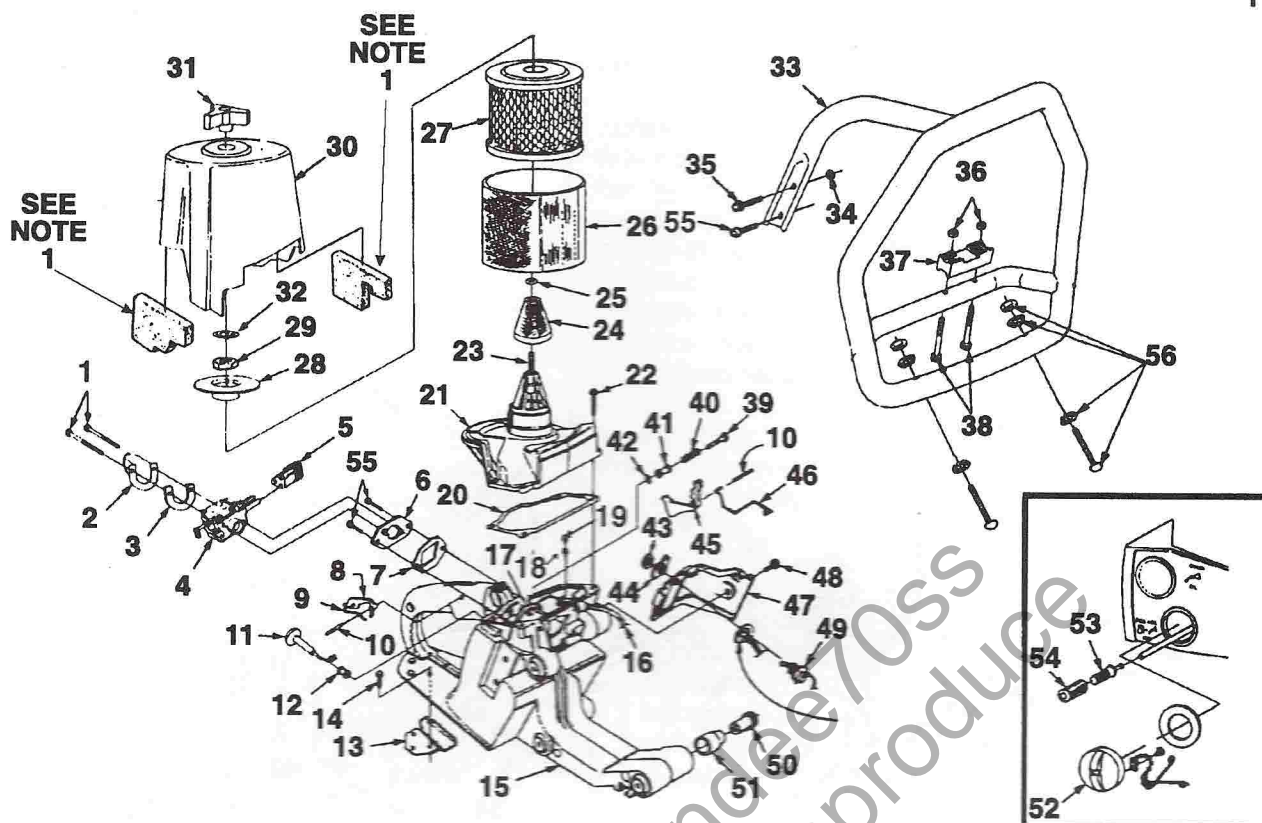
No.	Part No.	Description	Quantity
1	81089-2	NUT-(3/8-16 X 5/16")	2
2	47869-5	COVER-Drivecase	1
3	93367	PIN-Isolator	6
4	97264	GASKET-Intake Adaptor	1
5	02822	ADAPTOR-Intake	1
6	97263-B	BOOT	1
7	97338-1A	BAFFLE-Cylinder	1
8	82246	SCREW-Mach. Hex (10-24 X 1")	4
9	• A-98583-C	LEAD-Ground	1
10	58318	GROMMET	1
11	A-02121	COVER-Cylinder	1
12	93397-A	SCREW-Cylinder Cover	3
13	82475	SCREW-Pan Hd. (#10)	2
14	49533	SHIELD-Heat	1
15	84003	WASHER-Flat (#10)	1
16	81256	NUT-Locking (10-24)	2
17	• A-02128	HOUSING-Starter	1
18	82409	SCREW-Thd. Form. (#10 X 5/8")	1
19	58763	WASHER-Retaining	1
20	A-97990-C	CUP & PULLEY	1
21	82215	SCREW-Plastite (6 X 3/8")	2
22	84025	WASHER-Flat (#8)	2
23	A-00518	ROPE-Starter	1
24	A-98067	RETAINER & SPRING	1
25	A-69962-B	GRIP-Starter	1

No.	Part No.	Description	Quantity
26	82562	SCREW-Pan Hd. (10-24 X 7/8")	4
27	• A-04430	MUFFLER ASSY.	1
28	80983	SCREW-Mach. Hex (8-32 X 1/2")	3
29	A-49545	SHIELD-Muffler	1
30	49525	CAP-Muffler	1
31	49548	SUPPORT-Spark Arrestor	1
32	98827	SCREEN-Spark Arrestor 1	1
33	82555-1	SCREW-Truss Hd. (10-24 X 3/4")	2
34	97682-B	GASKET-Muffler	1
35	82592	SCREW-Cap Hex Hd. (1/4-20 X 3 1/4")	2
36	04423	SHIELD-Muffler Cover	1
37	84003	WASHER-Flat (#10)	4
38	02505	SPRING-Grip	1
39	04431	PLATE-Retaining	1
40	97992-A	BUSHING-Starter	1

NOTE 1: A-03661 FOAM KIT

• ASSEMBLIES

**MP-88**  
**FIGURE 2**



No.	Part No.	Description	Qty.
1	82527	SCREW-Socket Hd.	2
2	49673	SHIELD-Carburetor	1
3	49671	GASKET-Carburetor Shield	1
4	A-49510-A	CARBURETOR-(Walbor WJ-24A)	1
5	97295	GROMMET	1
6	97290-2A	ADAPTOR-Carburetor	1
7	97291	GASKET-Carburetor	1
8	93385-A	LOCK-Trigger	1
9	97265	SPRING-Flat	1
10	68548	PIN-Trigger	1
11	97292-1	ROD-Choke	1
12	64862	GROMMET	1
13	A-49640	PLATE-Wear	1
14	88041	SCREW-Sems Hex Hd. (8-32 X 3/8")	3
15	A-49770	HOUSING-Engine	1
16	93157-23	TUBING-Rubber (5 3/4") (Pulse Line)	1
17	93112-37	TUBING-Rubber (9") (Fuel Line)	1
18	96841	VALVE-Check	1
19	93410	FILTER	1
20	97298	GASKET-Carb. Chamber	1
21	49509-A	COVER-Carb. Chamber	1
22	80582	SCREW-Pan Hd. (8-32 X 5/8")	4
23	49511-A	BOLT	1
24	49555	FILTER-Air	1
25	94150	"O" RING	2
26	49513	PREFILTER, FELT	1
27	49512	ELEMENT-Air Filter	1
28	49898-1	COVER-Air Filter Element	1
29	81162	NUT-Hex (5/16-18)	1

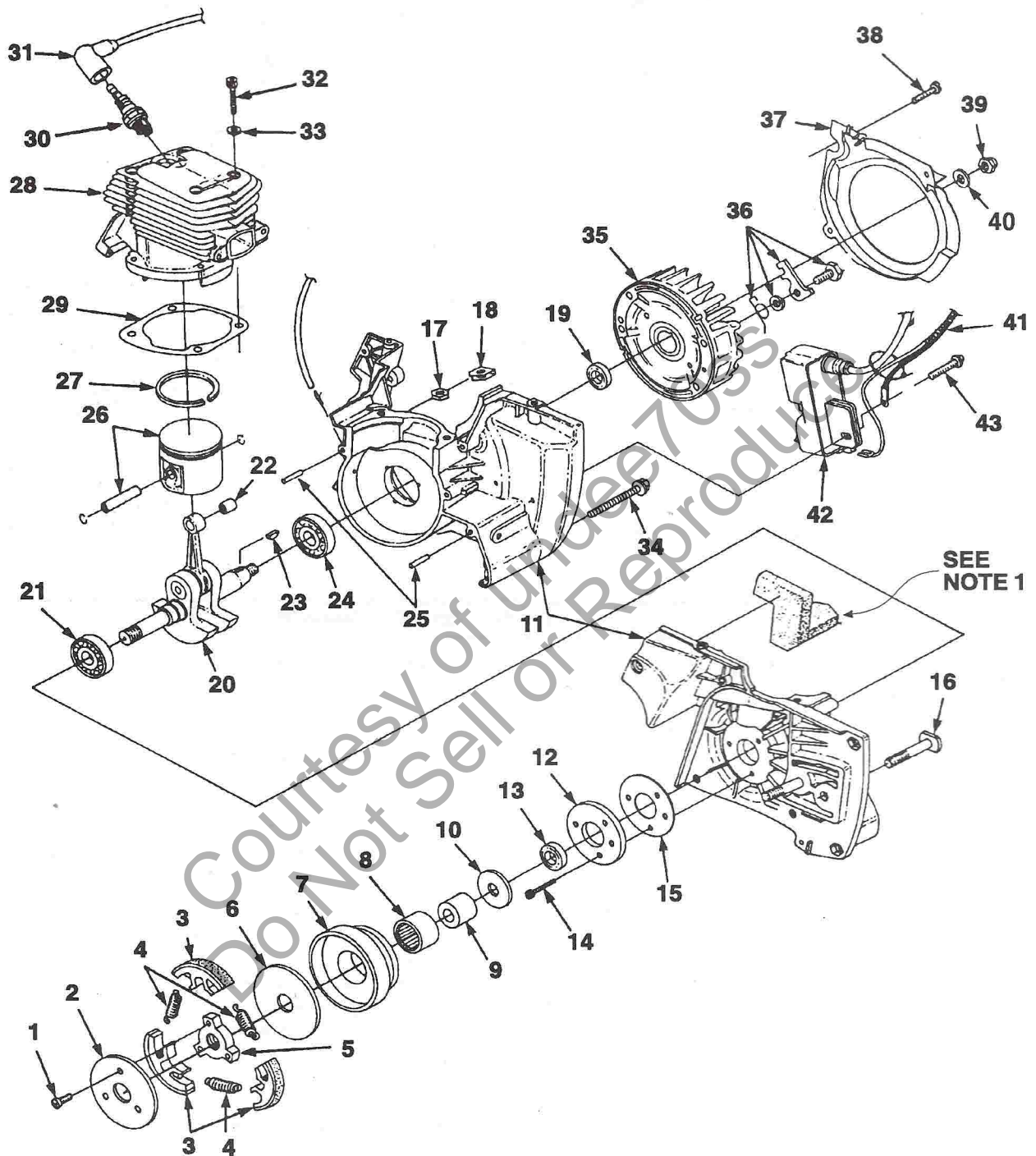
No.	Part No.	Description	Qty.
30	A-49514-A	COVER-Filter	1
31	46076	KNOB	1
32	46072	RING-Retaining	1
33	A-49595-1	HANDLE BAR	1
34	81208	NUT-Hex Lock (10-24)	2
35	82555-1	SCREW-Truss Hd. (10-24 X 3/4")	1
36	96212	NUT-Locking (1/4-28")	2
37	49622-2	BRACKET-Handle Bar	1
38	82532	SCREW-Mach. Oval Hd. (1/4-20 X 1/2")	2
39	95671	PIN-Throttle Lock	1
40	95020	SPRING-Compression	1
41	95989	BUSHING	1
42	58409	RING-Retaining	1
43	72084-A1	NUT-Hex	1
44	12793-A	PLATE-Indicating	1
45	93842	TRIGGER-Throttle	1
46	97294-A	ROD-Throttle	1
47	97306	COVER-Switch	1
48	80560	SCREW-Pan Washer (8-32 X 1/2")	1
49	A-57650-A	SWITCH-Toggle	1
50	97305-1A	ISOLATOR-Vibration	6
51	97262	SLEEVE-Flanged	6
52	A-03131	CAP-Fuel	1
53	A-97700	FILTER-Fuel	1
54	59253-1A	ELEMENT - Filter	1
55	96620	SCREW-Truss Torx (T25)	2
56	A-03633	KIT-Wear Pad	1

NOTE 1: A-03611 FOAM KIT

● ASSEMBLIES



**MP-88**  
**FIGURE 3**



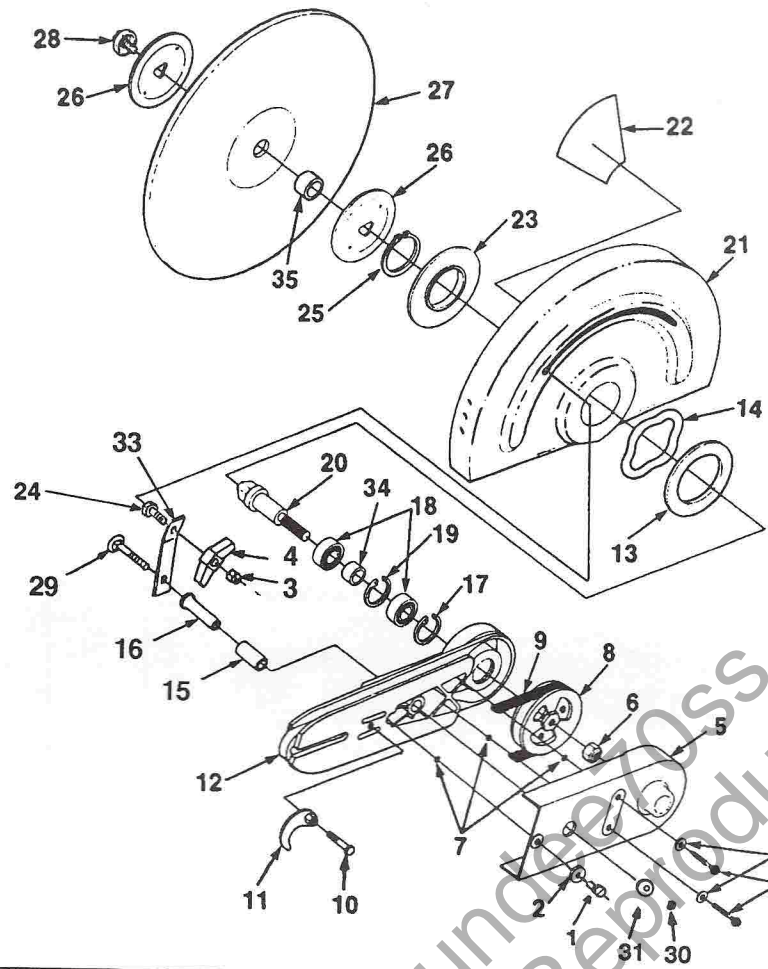
## PARTS LIST - FIGURE 3

No.	Part No.	Description	Qty.
1	88041	SCREW-Hex Sems (8-32 X 3/4")	3
2	93628	COVER-Clutch	1
3	A-93632-B	SHOE-Clutch	3
4	93638-A	SPRING-Clutch	3
5	93639	SPIDER-Clutch	1
6	93650	WASHER-Thrust	1
7	• A-49543	PULLEY & DRUM	1
8	46071	BEARING-Needle	1
9	46070	RACE-Inner	1
10	46135	WASHER-Thrust	1
11	• A-49771-A	CRANKCASE ASSY.	1
12	• A-49537-A	RETAINER-Bearing	1
13	12306	SEAL	1
14	82293	SCREW-Socket Cap (10-24 X 5/8")	3
15	00191-C	GASKET-Oil Pump	1
16	47948	BOLT-Guide Bar	1
17	81208	NUT-Hex Lock (10-24)	4
18	12689-A	RETAINER-Nut	2
19	58308-B	SEAL-Shaft	1
20	• A-03737	CRANKSHAFT & BEARING	1
21	94621	BEARING-Ball	1
22	93519	BEARING-Roller	1
23	75078	KEY-Woodruff	1
24	94621	BEARING-Ball	1
25	31062	PIN-Dowel	3
26	• A-02824-2A	PISTON & PIN ASSY.	1
27	02825	PISTON RING	2
28	• A-02830	CYLINDER & PISTON	1
29	97316	GASKET-Cylinder	1
30	98217	SPARK PLUG (RCJ6Y)	1
31	A-33055	TERMINAL-Spark Plug	1
32	82246	SCREW-Cap Socket Hd. (10-24 x 1")	4
33	12021	WASHER-Conical	4
34	88057	SCREW-Hex Sems (10-24 X 2")	5
35	• A-02085	ROTOR	1
36	A-03610	STARTER PAWL KIT	1
37	02133	SCROLL-Air Guide	1
38	80542	SCREW-Mach. Pan Hd. (8-32 X 5/8")	4
39	81255	NUT-Hex Locking (3/8-24)	1
40	95479-A	WASHER-Flat	1
41	A-98583-1D	LEAD-Ground (See Fig. 1, #9)	1
42	A-01827	MODULE-Ignition	1
43	82562	SCREW-Pan Hd. (#10-24 X 7/8")	2

NOTE 1: A-03611 Foam Kit

• ASSEMBLIES

**MP-88**  
**FIGURE 4**



No.	Part No.	Description	Qty.
1	94143	SCREW-Slotted	3
2	84026	WASHER-Flat (1/4")	3
3	81162	NUT-Hex (5/16-18)	1
4	JA-33955-0	KNOB-Handle	1
5	43966-C	COVER-Arm	1
6	81245	NUT-Hex Lock (1/2-13)	1
7	46462	"O" Ring	3
8	A-03233	PULLEY-Driven	1
9	46068	BELT-"V" Drive	1
10	80087	SCREW-Hex Hd. (5/16-18 X 1 1/2")	1
11	A-49194	CAM & ADJUSTER	1
12	● A-49558	ARM-Wheel	1
13	47387	SHIM	1
14	47388	SPRING-Wave	1
15	49553-A	TUBING-Rubber	1
16	49818	SPACER-Guard Adjusting (12" only)	1
17	31746	RING-Retaining	1
18	63107	BEARING-Ball	2
19	47207	RING-Retaining	1
20	01905	SHAFT-Wheel	1
21	A-01872-B	GUARD-Wheel (12" only)	1
	A-01873-A	GUARD-Wheel (14" only)	1

No.	Part No.	Description	Qty.
22	48922-A	LABEL-Caution	8
23	46000	WASHER-Mounting (12" only)	1
	46000-1	WASHER-Mounting (14" only)	1
24	82519-A	BOLT-Step (5/16-18 X 1")	1
25	46065	RING-Retaining	1
26	01909-1	FLANGE-Wheel	1
27		WHEEL-Resinoid (12" only) (See Note 1)	1
		WHEEL-Resinoid (14" only) (See Note 1)	1
28	A-03412	BOLT & WASHER	1
29	49815	BOLT-Sq. Neck, Rnd. Hd.	1
30	81162	NUT-Hex (5/16-18)	1
31	84027	WASHER-Flat	1
32	49553-A	TUBING-Rubber	1
33	02839-1	ARM-Adjusting (12" only)	1
	49817-1	ARM-Adjusting (14" only)	1
34	46067	SPACER-Bearing	1
35	01902	SPACER (1" Dia.)	1
	01907	SPACER (20")	1
	01903	SPACER (22")	1

NOTE 1: See Accessories for different types of resinoid Wheels.

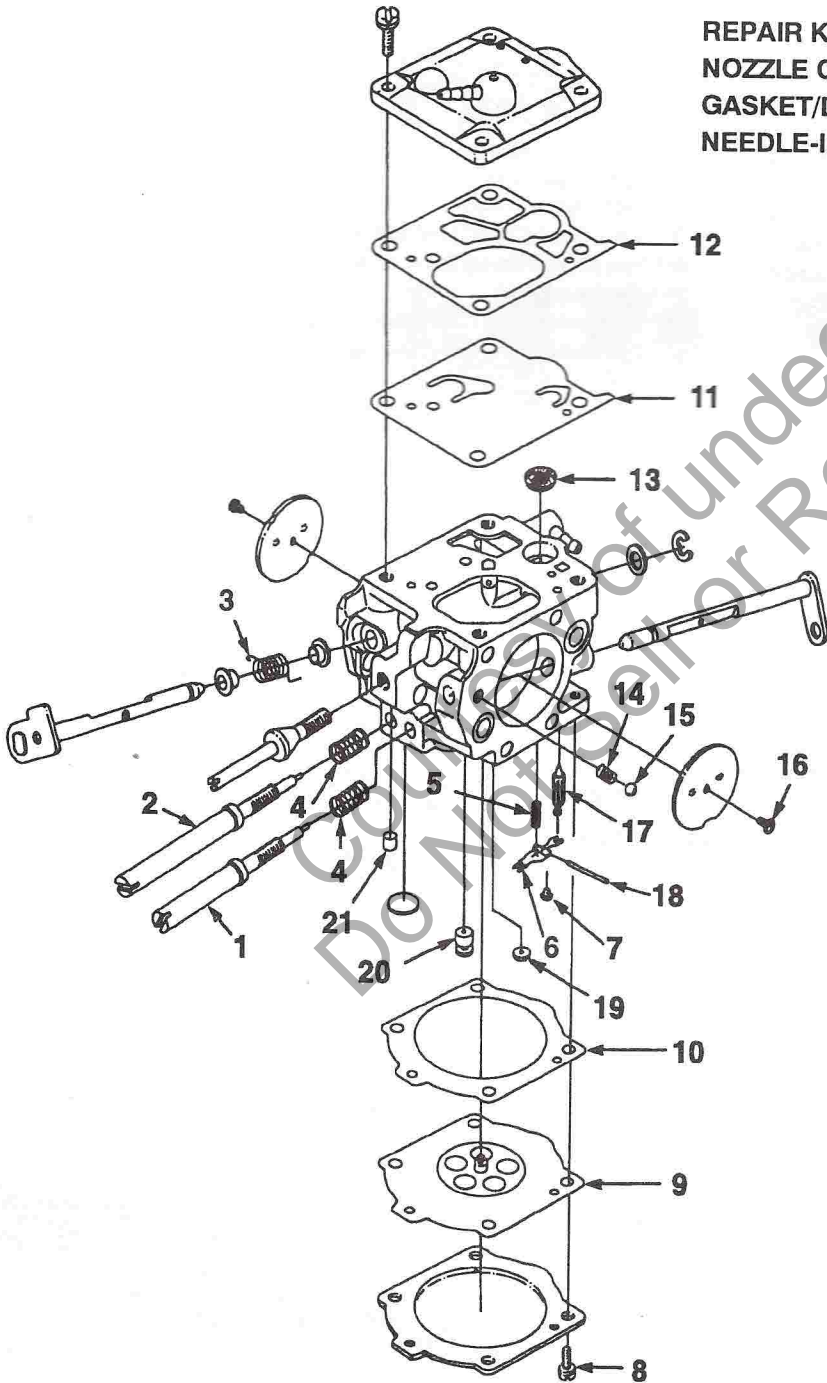
● ASSEMBLIES

# CARBURETOR

(WJ-24A) Walbro A-49510-A

REPAIR KIT (1-21)  
NOZZLE CHECK VALVE (20)  
GASKET/DIAPHRAGM KIT (9-12)  
NEEDLE-INLET (17)

49672-A  
49539-A  
97941  
97942





# ACCESSORIES

## WHEELS-Resinoid

METAL-(12" X 5/32" X 1")	64597-BS
DUCTILE-(12" X 5/32" X 1")	68421-AS
CONCRETE-(12" X 5/32" X 1")	64596-BS
CONCRETE-(11 7/8" X 5/32" X 20 mm)	43233-AS
DUCTILE-(11 7/8" X 5/32" X 20 mm)	43234-AS
METAL-11 7/8" X 5/32" X 20 mm)	43235-AS
DUCTILE-14" X 5/32" X 1")	49560
METAL-(14" X 5/32" X 1")	49561
CONCRETE-(14" X 5/32" X 20 mm)	49765
DUCTILE-(14" X 5/32" X 20 mm)	49767
METAL-(14" X 5/32" X 20 mm)	49768
CONCRETE-(14" X 5/32" X 1")	49559

## WHEELS-Diamond

CONCRETE-(12" X 1/8" X 1")	A-49231-A
CONCRETE-(14" X 1/8" X 1") Continuous Rims	A-49787
BLADE-Carbide (12)	64535-A
SEGMENTED-(12" X 1/8" X 1")	A-49751
SEGMENTED-(14" X 1/8" X 1")	A-49572
PULLER-Rotor	A-18011
Includes:	
SCREW-Mach. Hex Hd. (12-24 X 1 1/2")	80868
SCREW-Hex Hd. (1/2-13 X 1 3/4")	80627
WASHER-Flat	84006
NUT-Hex	81068

# ACCESSORIES

SEALASTIC	24823
PAINT-Red	23475
DOLLY KIT	UT-05032-B
CARRY CASE-w/Insert	A-18009
WET CUTTING KIT	A-49649
DEPTH GAUGE	A-49846

# TOOLS

WRENCH (1/2") Spanner	03002
WRENCH-Combination (5/8", 3/4" Screw Driver)	A-24824
BIT-Torx (Clutch Cover) (1/4" Shank)	17115-01
BIT-Torx (Clutch Cover) (5/16" Shank)	17115-02
SHIM-Air Gap (Black)	24306
BIT-Torx (isolator pin) (1/4" Shank)	24982-01
BIT-Torx (isolator pin) (5/16" Shank)	24982-02

ALWAYS FURNISH MODEL AND SERIAL NUMBER WHEN ORDERING PARTS.

### CUSTOMER ASSISTANCE

FOR THE LOCATION OF YOUR NEAREST HOMELITE SERVICING DEALER IN THE UNITED STATES, PUERTO RICO, AND THE VIRGIN ISLANDS.

**CALL: 1-800-242-4672**

**NOTE: DEALER INFORMATION, TECHNICAL ADVICE AND PRODUCT INFORMATION CAN BE OBTAINED AT THIS NUMBER.**

### HEADQUARTERS

HOMELITE DIVISION OF TEXTRON INC.  
P.O. BOX 7047  
CHARLOTTE, N.C. 28241

### OVERSEAS OFFICES

#### NETHERLANDS

HOMELITE TEXTRON  
DIVISION OF TEXTRON ATLANTIC  
(HDQS. — Europe, Africa and Middle East)  
Haverstraat 24  
2153 GB Nieuw Vennep  
The Netherlands

#### FRANCE

HOMELITE TEXTRON  
UNE DIVISION DE TEXTRON  
S A R L  
Z I du Vert-Galant  
Rue du Chateau/Rue de la Garenne  
95310 Saint-Quen-L'Aumone  
France

#### AUSTRALIA

HOMELITE DIVISION OF TEXTRON PACIFIC LIMITED  
HEADQUARTERS  
22 Terra - Cotta Drive  
Blackburn, 3130  
Victoria, Australia

### CANADIAN OFFICES

#### HOMELITE

DIVISION OF TEXTRON CANADA LIMITED  
1850 55th Avenue  
Lachine, Quebec, Canada  
H8T 3J5

212-214 580 Ebury Place  
New Westminster, B C  
V3M 6K7

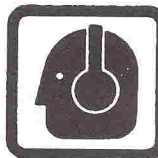
595 Canarctic Drive  
Toronto, Ontario  
M3J 2P9



**WARNING,  
DANGER, AND  
CAUTION**



**READ YOUR  
PRODUCT  
LITERATURE.**



**WEAR HEARING  
PROTECTION  
WHEN OPERAT-  
ING THIS  
EQUIPMENT.**

# HOMELITE TEXTRON

Homelite Division of Textron Inc