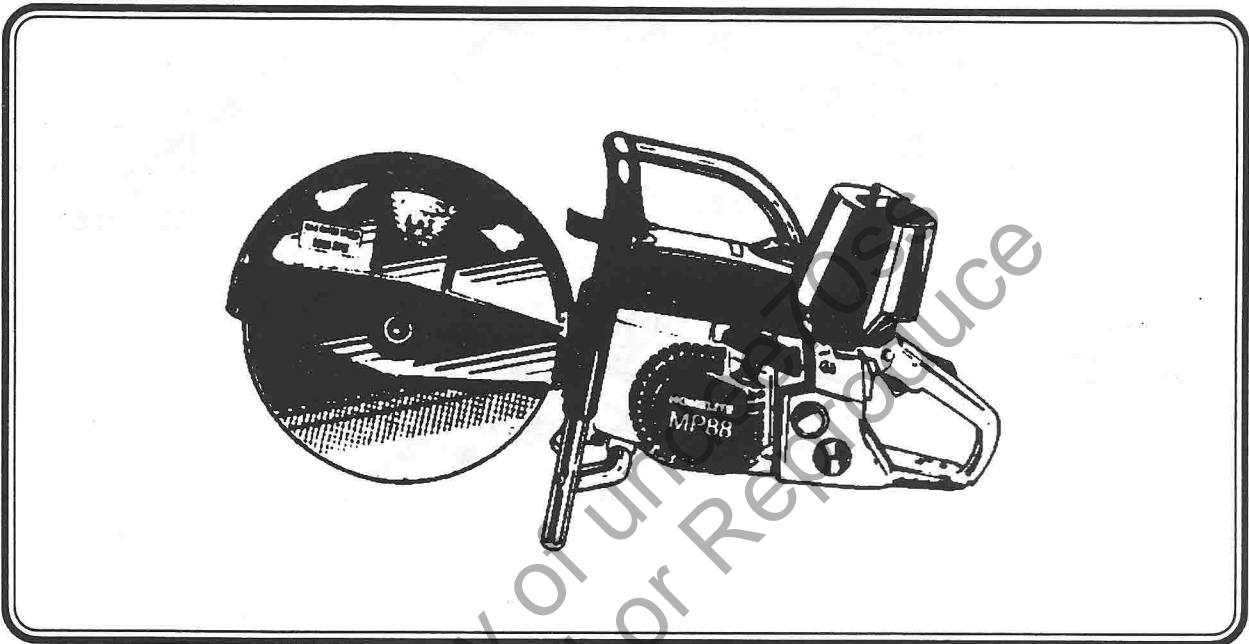


Homelite®

PARTS LIST

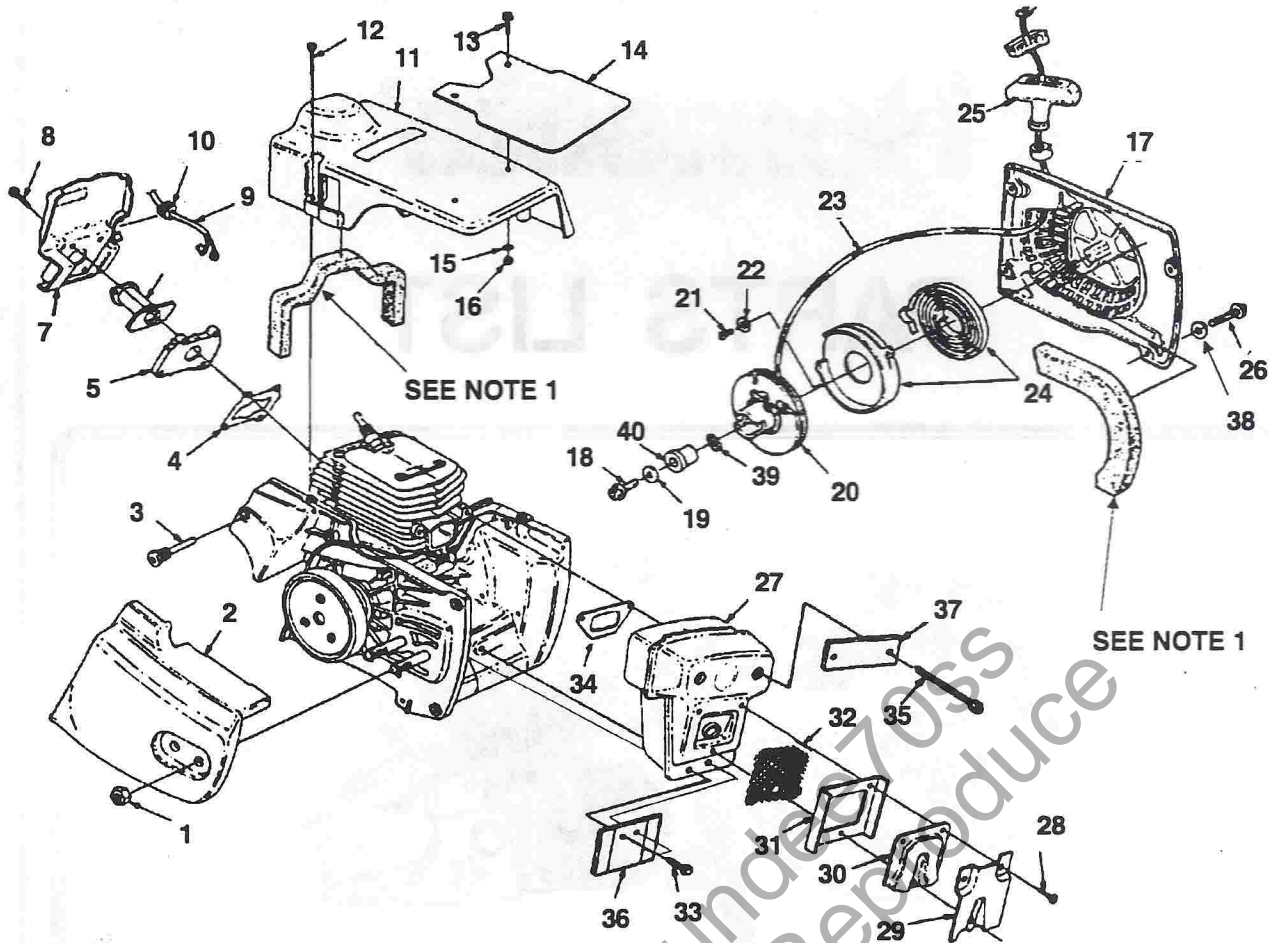


MP88

UT05051

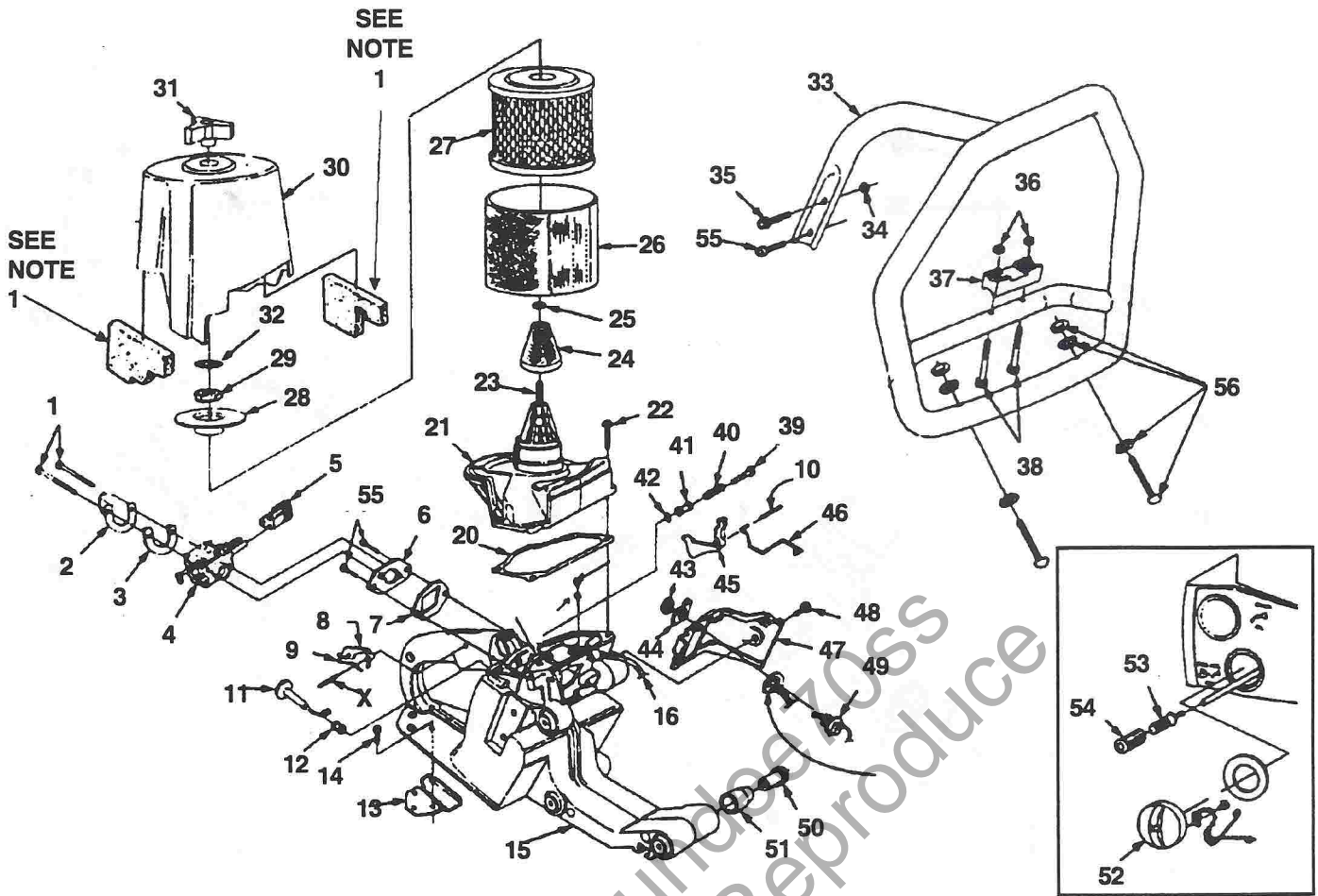
UT05051 A

UT05051 B



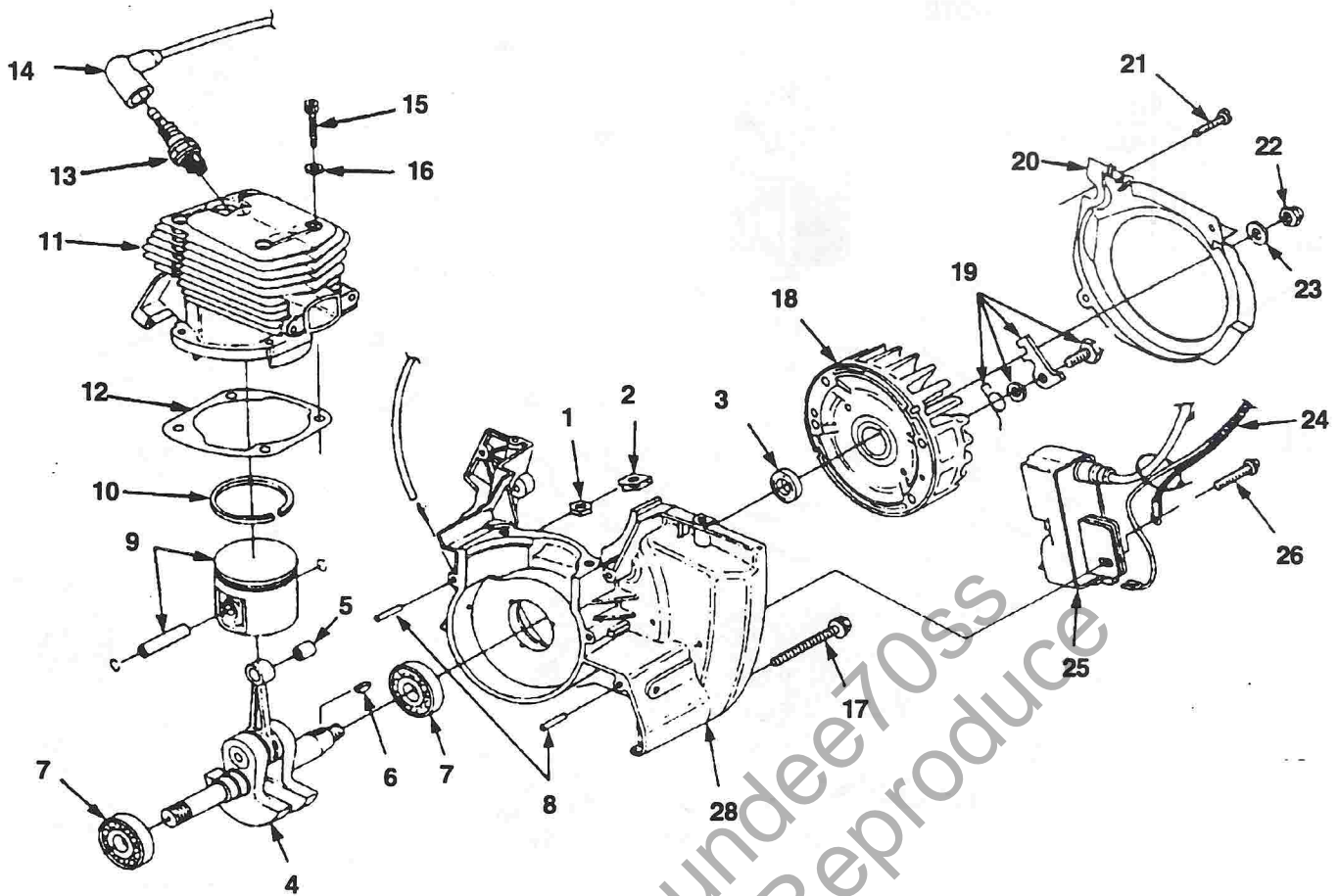
NO.	PART NO.	DESCRIPTION	Qty.	NO.	PART NO.	DESCRIPTION	Qty.
1	81089 2	Nut-(3/8- 16 X 5/16")	2	26	82562	Screw-Pan Hd. (10-24 X 7/8")	4
2	47869 5	Drivecase Cover	1	27	• A 04430	Muffler Assy	1
3	93367	Pin-Isolator	6	28	80983	Screw-Mach. Hex (8-32 X 1/2")	3
4	97264	Gasket-Intake Adaptor	1	29	A 49545	Shield-Muffler	1
5	02822	Adaptor-Intake	1	30	49525	Cap-Muffler	1
6	97263 B	Boot	1	31	49548	Support- spark Arrestor	1
7	97338 1A	Baffle-Cylinder	1	32	98827	Screen-Spark Arrestor	1
8	82246	Screw-Mach. Hex (10-24 X 1")	4	33	82555 1	Screw -Truss Hd. (10-24 X 3/4")	2
9	• A 98583 1D	Ground Lead Grommet	1	34	97682 B	Gasket-Muffler	1
10	58318	Cylinder Cover	1	35	82592	Screw-Cap Hex Hd. (1/4-20 X 3 1/4")	2
11	A 02121	Screw-Cylinder Cover	1	36	04423	Shield-Muffler Cover	1
12	93397 A	Screw-Pan Hd. (#10)	3	37	04431	Plate-Retaining	1
13	82475	Shield-Heat	2	38	84003	Washer-Flat (#10)	4
14	49533	Washer-Flat (#10)	2	39	02505	Spring-Grip	1
15	84003	Nut-Locking (10-24)	2	40	97992 A	Bushing-Starter	1
16	81256	Housing-Starter Screw-Thd. Form (#10 x 5/8")	1				
17	• A 02128	Washer-Retaining	1				
18	82409	Cup & Pulley	1				
19	58763	Screw-Plastite (6 X 3/8")	1				
20	A 97990 C	Washer-Flat (#8)	2				
21	82215	Starter Rope	1				
22	84025	Retainer & Spring	1				
23	A 00518	Starter Grip	1				
24	A 98067		1				
25	A 69962 B		1				

NOTE 1: A 03611 Foam Kit
 •ASSEMBLIES



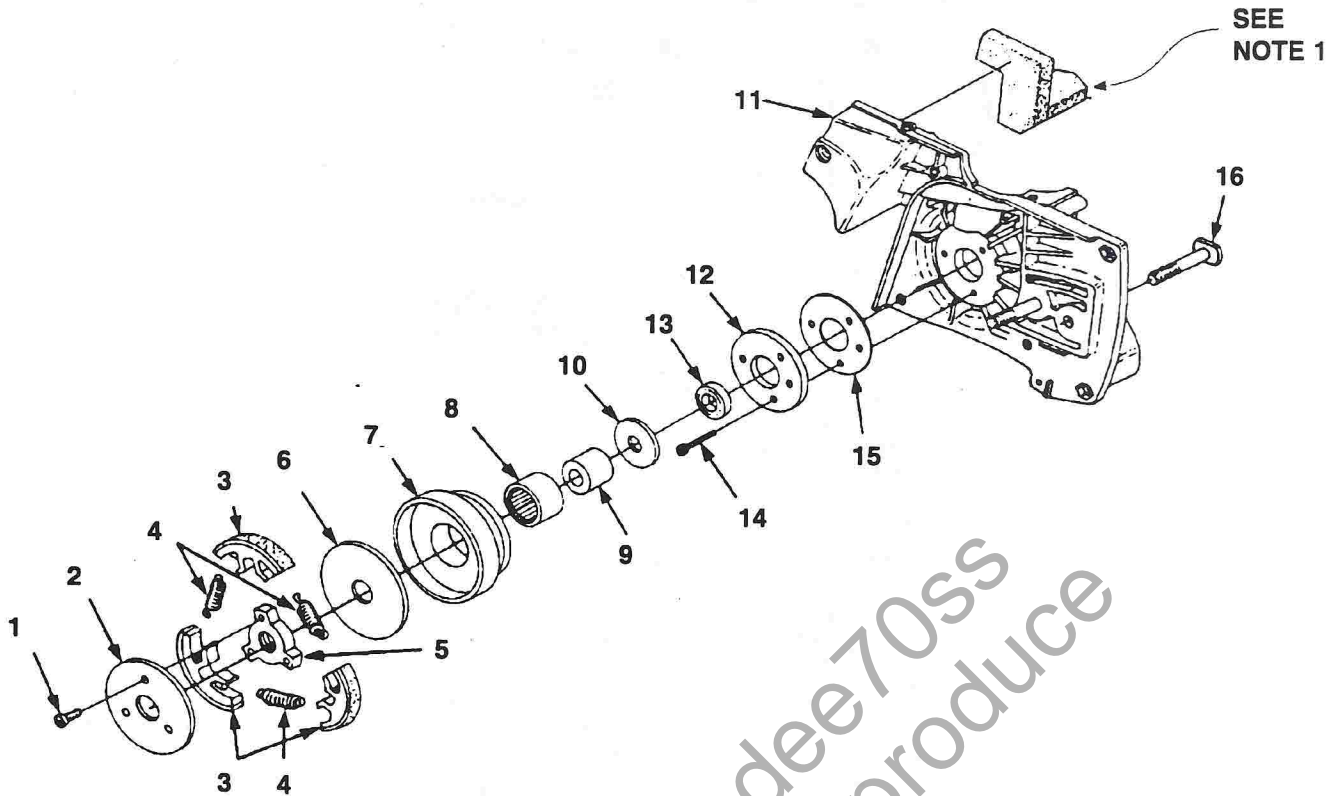
NO.	PART NO.	DESCRIPTION	Qty.	NO.	PART NO.	DESCRIPTION	Qty.
1	82527	Screw-Socket Hd.	2	30	• A 49514 A	Filter Cover	1
2	49673	Shield-Carburetor	1	31	06365	Knob	1
3	49671	Gasket-Carburetor Shield	1	32	46072	Retaining Ring	1
4	A 49510 A	Carburetor-(Walbor WJ-24A)	1	33	A 49595 1	Handle Bar	1
5	97295	Grommet	1	34	81208	Nut-Hex Lock (10-24)	2
6	97290 2A	Adaptor-Carburetor	1	35	82555 1	Screw-Truss Hd. (10-24 X 3/4")	1
7	97291	Gasket-Carburetor	1	36	96212	Nut-Locking (1/4-28")	2
8	93385 A	Lock-Trigger	1	37	49622 2	Bracket-Handle Bar	1
9	97265	Spring-Flat	1	38	82532	Screw-Mach. Oval Hd. (1/4-20 X 1 1/2")	2
10	68548	Pin-Trigger	1	39	95671	Pin-Throttle Lock	1
11	97292 1	Rod-Choke	1	40	95020	Spring-Compression	1
12	64862	Grommet	1	41	95989	Bushing	1
13	A 49640	Plate-Wear	1	42	58409	Ring-Retaining	1
14	88041	Screw-Sems Hex Hd. (8-32 X 3/8")	3	43	72084 A1	Nut-Hex	1
15	A 49770	Housing-Engine	1	44	12793 A	Indicating Plate	1
16	93157 23	Rubber Tubing (5 3/4") (Pulse Line)	1	45	93842	Throttle Trigger	1
17	93112 37	Tubing-Rubber (9") (Fuel Line)	1	46	97294 A	Throttle Rod	1
18	96841	Valve-Check	1	47	97306	Switch Cover	1
19	93410	Filter	1	48	80560	Screw-Pan Washer (8-23 X 1/2")	1
20	97298	Gasket-Carb. Chamber	1	49	A 57650 A	Toggle Switch	1
21	49509 A	Cover-Carb. Chamber	1	50	97305 1A	Vibration Isolator	6
22	80582	Screw-Pan Hd. (8-32 X 5/8")	4	51	97262	Flanged Sleeve	6
23	49511 A	Bolt	1	52	A 03131	Fuel Cap	1
24	49555	Filter-Air	1	53	• A 97700	Fuel Filter	1
25	94150	"O" Ring	2	54	59253 1A	Filter Element	1
26	49513	Felt Prefilter	1	55	96620	Screw-Truss Torx (T25)	2
27	49512	Element-Air Filter	1	56	A 03633	Wear Pad Kit	1
28	49898 1	Air Filter Element Cover	1				
29	81162	Nut-Hex (5/16-18)	1				

NOTE 1: A 03611 Foam Kit
 •ASSEMBLIES

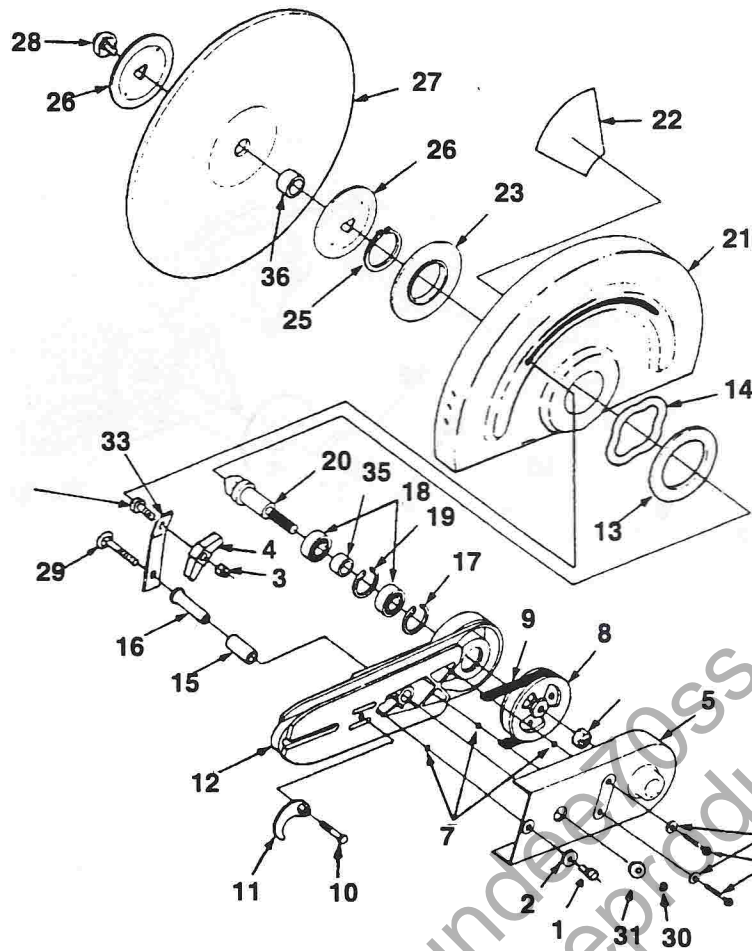


NO.	PART NO.	DESCRIPTION	Qty.
1	81208	Nut-Hex Lock (10-24)	4
2	12689 A	Retainer-Nut	2
3	58308 B	Seal-Shaft	1
4	• A 03737	Crankshaft & Bearing	1
5	93519	Roller Bearing	1
6	75078	Key-Woodruff	1
7	94621 A	Ball Bearing	2
8	31062	Dowel Pin	3
9	• A 02824 1B	Piston & Pin Assy.	1
10	02825	Piston Ring	2
11	• A 02830 A	Cylinder & Piston	1
12	97316	Gasket-Cylinder	1
13	98217 S	Spark Plug (RCJ6Y)	1
14	A 33055	Terminal Spark Plug	1
15	82246	Screw-Cap Socket Hd. (10-24 X 1")	4
16	12021	Washer-Conical	4
17	88057	Screw-Hex Sems (10-24 X 2")	5
18	A 02085 A	Rotor	1
19	A 03610	Starter Pawl Kit	1
20	02133	Scroll-Air Guide	1
21	80582	Screw-Mach. Pan Hd. (8-32 X 5/8")	2
22	81255	Nut-Hex Locking (3/8-24)	1
23	95479 A	Washer-Flat	1
24	A 98583 C	Lead-Ground (See Fig. 1, #9)	1
25	A 01827	Module-Ignition	1
26	82562	Screw-Pan Hd. (#10-24 X 7/8")	2
27	02186	Gasket, Heat Shield (not shown)	1
28	A 49771 A	Crankcase Assy.	1

NOTE 1: A 03611 Foam Kit



NO.	PART NO.	DESCRIPTION	Qty.
1	88041	Screw-Hex Sems (8-32 X 3/4")	3
2	93628	Clutch Cover	1
3	A 93632 B	Clutch Shoe	3
4	93638 A	Clutch Spring	3
5	93639	Clutch Spider	1
6	93650	Washer-Thrust	1
7	• A 49543	Pulley & Drum	1
8	46071	Needle Bearing	1
9	46070	Flace-Inner	1
10	46135	Washer-Thrust	1
11	• A 49771 A	Crankcase Assy.	1
12	• A 49537 A	Retaining-Bearing	1
13	12306	Seal	1
14	82293	Screw-Socket Cap (10-24 X 5/8")	3
15	00191 D	Gasket-Oil Pump	1
16	47948	Guide Bar Bolt	1
17	81208	Nut-Hex Lock (10-24) (Not shown)	4
18	12689 A	Retainer-Nut (Not shown)	2
19	58308 B	Seal-Shaft (Not Shown)	1



NO.	PART NO.	DESCRIPTION	Qty.	NO.	PART NO.	DESCRIPTION	Qty.
1	94143	Screw-Slotted	3	24	82519 A	Bolt-Step (5/16-18 X 1")	1
2	84026	Washer-Flat (1/4")	3	25	46065	Ring-Retaining	1
3	81162	Nut-Hex (5/16-18)	1	26	01909 1A	Flange-Wheel	1
4	JA 33955 O	Knob-Handle	1	27		Wheel-Resinoid (12" only)	1
5	43966 C	Cover-Arm	1			(See Note 1)	
6	81245	Nut-Hex Lock (1/2-13)	1			Wheel-Resinoid (14" only)	1
7	46462	"O" Ring	3			(See Note 1)	
8	A 03233	Pulley-Driven	1	28	A 03412	Bolt & Washer	1
9	46068	Belt-"V" Drive	1	29	49815	Bolt-Sq. Neck, Rnd. Hd.	1
10	80087	Screw-Hex Hd. (5/16-18 X 1 1/2")	1	30	81162	Nut-Hex (5/16-18)	1
11	A 49194	Cam & Adjuster	1	31	84027	Washer-Flat	1
12	A 49558	Arm-Wheel	1	32	49553 A	Tubing-Rubber	1
13	47387	Shim	1	33	49817 1	Arm-Adjusting (14" only)	1
14	47388	Spring-Wave	1	34	46067	Spacer-Bearing	1
15	49553 A	Tubing-Rubber	1	35	01902	Spacer (1" Dia.)	1
16	49818	Spacer-Guard Adjusting (12" only)	1		01903	Spacer (22")	1
17	31746	Ring-Retaining	1		01907	Spacer (20")	1
18	63107	Ball Bearing	2				
19	47207	Retaining Ring	1				
20	01905 1	Wheel Shaft	1				
21	A 01872 B	Wheel Guard (12" only)	1				
	A 01873 B	Wheel Guard (14" only)	1				
22	48922 A	Caution Label	1				
23	46000	Washer-Mounting (12" only)	1				
	46000 1	Washer-mounting (14" only)	1				

NOTE: See Accessories for different types of resinoid Wheels.

•ASSEMBLIES

NOTES

Courtesy of undee70ss
Do Not Sell or Reproduce

ACCESSORIES

WHEELS - Resinoid

	Part No.
METAL-(12" X 5/32" X 1")	64597-BS
DUCTILE-(12" X 5/32" X 1")	68421-AS
CONCRETE-(12" X 5/32" X 1")	64596-BS
CONCRETE-(11 7/8" X 5/32" X 20mm)	43233-AS
DUCTILE-(11 7/8" X 5/32" X 20mm)	43234-AS
METAL-(14" X 5/32" X 1")	43235-AS
DUCTILE-(14" X 5/32" X 1")	49560
METAL-(14" X 5/32" X 1")	49561
CONCRETE-(14" X 5/32" X 20mm)	49765
DUCTILE-(14" X 5/32" X 20mm)	49767
METAL-(14" X 5/32" X 20mm)	49768
CONCRETE-(14" X 5/32" X 1")	49559

WHEELS - Diamond

	Part No.
CONCRETE-(12" X 1/8" X 1")	A-49231-A
CONCRETE-(14" X 1/8" X 1") Continuous	A-49787
BLADE-Carbide(12)	64535-A
SEGMENTED-(12" x 1/8" x 1")	A-49751
SEGMENTED-(14" x 1/8" x 1")	A-49572
PULLER-Rotor	A-18011
Includes:	
SCREW-Mach. Hex Hd. (12-24 x 1 1/2")	80868
SCREW-Hex Hd. (1/2-13 x 1 3/4")	80627
WASHER-Flat	84006
NUT-Hex	81068

ACCESSORIES

	Part No.
SEALASTIC	24823
PAINT-Red	23475
DOLLY KIT	UT-05032-B
CARRY CASE-w/insert	A-18009
WET CUTTING KIT	A-49649
DEPTH GAUGE	A-49846

TOOLS

	Part No.
WRENCH (1/2") Spanner	03002
WRENCH-Combination (5/8" x 3/4" Screw Driver)	A-24824
BIT-Torx (Clutch Cover) (1/4" Shank)	17115-01
BIT-Torx (Clutch Cover) (5/16" Shank)	17115-02
SHIM-Air Gap (Black)	24306
BIT-Torx (Isolator Pin) (1/4" Shank)	24982-01
BIT-Torx (Isolator Pin) (5/16" Shank)	24982-02

ALWAYS FURNISH MODEL AND SERIAL NUMBER WHEN ORDERING PARTS.

CUSTOMER ASSISTANCE

FOR THE LOCATION OF YOUR NEAREST HOMELITE SERVICING DEALER IN THE UNITED STATES, PUERTO RICO, AND THE VIRGIN ISLANDS,

CALL: 1-800-242-4672

HEADQUARTERS

Homelite, Inc.
P.O. BOX 7047
CHARLOTTE, N.C. 28241

OVERSEAS OFFICES

EUROPE, AFRICA & MIDDLE-EAST

Homelite Netherlands B.V.
A Deere & Company Affiliate
Haverstraat 24
2153 GB Nieuw Vennep
The Netherlands

FRANCE

Homelite Atlantic SARL
Groupe Deere & Co.
BP 7011
95050 Cergy Pontoise Cedex
France

AUSTRALIA

Homelite Pacific Ltd.
A Deere & Company Affiliate
ACN 008 683 538
94 Rushdale Street
P. O. Box 555 MDA
Knoxfield Vic 3180
Australia

CANADIAN OFFICES

Homelite Canada Limited

Homelite Canada Limitée

A Deere & Company Affiliate /
Une Filiale de Deere & Company
1850-55eth Avenue
Lachine, Québec, Canada H8T 3J5
1-800-363-5715

UNIT 212-214, 590 Ebury Place
New Westminster, B.C. V3M 6K7
1-800-667-3128

20-D Voyager Court South
Etobicoke, Ontario M9W 5M7
1-800-465-2249

Homelite^{inc.}

A Subsidiary of Deere & Company