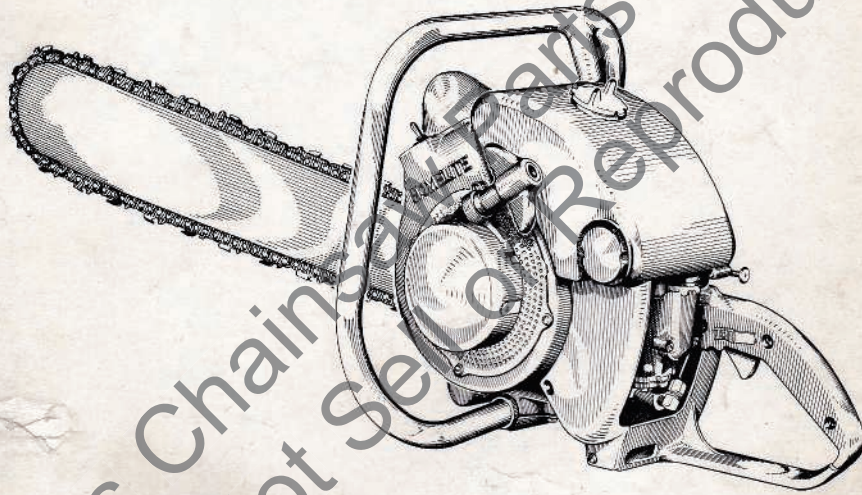


PARTS LIST

MODEL 17 HOMELITE CHAIN SAW



Gasoline-Engine-Driven

HOMELITE CORPORATION

PORT CHESTER, N.Y.

RECOIL STARTER PARTS

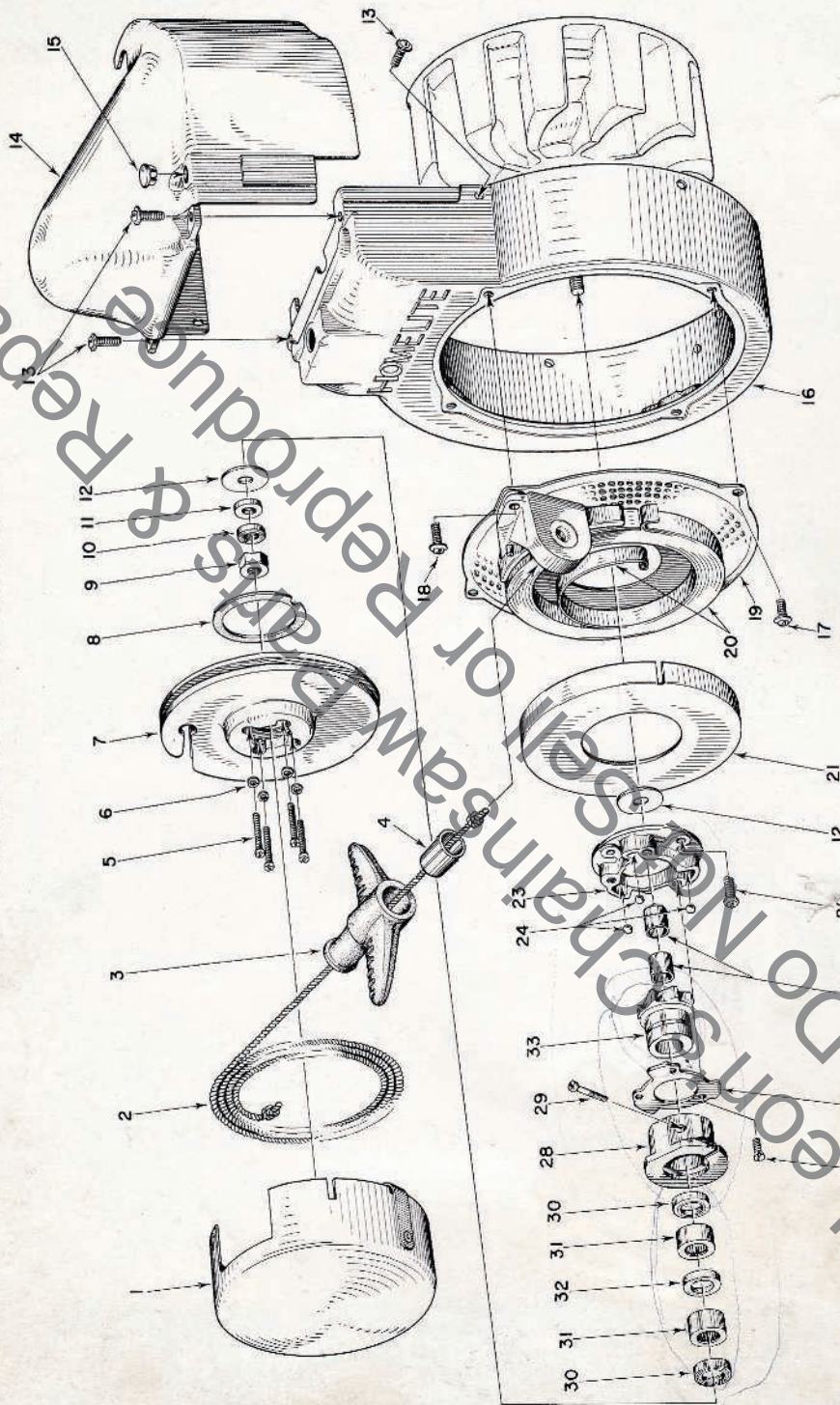


FIGURE 1

HOMELITE CHAIN SAW MODEL 17

PARTS LIST FOR FIGURE 1

Index No.	Part No.	Nomenclature	No. Required	Index No.	Part No.	Nomenclature	No. Required
1	AA-73234-1	COVER—pulley	1	20	85061	RIVET—tubular	1
	A-55370	STARTING GRIP	1	21	71470-A	SPRING—recoil	1
		Composed of		22	71609	COVER—spring housing	1
2	55368	ROPE—nylon	1	22	80579	SCREW—10-32 x 3/8 spin-lock	3
3	71149-A	GRIP—starting	1		AA-55213	BALL DRIVE	1
4	55369	INSERT—starting grip	1			Composed of	
5	80475	SCREW—6-32 x 3/4 fl. hd.	1	23	55054-A	PLATE—ball drive	1
6	83004	WASHER—#6 lock	4	24	55217	BALL	3
7	AA-55223-A	PULLEY (with pin)	1	25	55218	SLEEVE—bearing	2
8	71588	SHIM—plastic	as req.	26	80586	SCREW—5-40 x 5/16 flat hd.	3
9	81117	NUT—5/16-24 hex jam	1		AA-55212	RATCHET and HUB	1
10	83002	WASHER—5/16 lock	1			Composed of	
11	84067	WASHER—5/16 flat alum.	1	27	53097	RETAINER	1
12	55276	WASHER—thrust	2		A-55342	HUB and SCREW	1
13	80577	SCREW—8-32 x 3/8 spin-lock	7			Composed of	
14	55015-B	SHIELD—cylinder	1	28	*	HUB	1
15	32814	PLUG—button	1	29	72295	SCREW—hub	1
16	AA-55208	SHROUD—air	1		AA-55213	RATCHET and BEARING	1
17	80579	SCREW—10-32 x 3/8 spin-lock	3			Composed of	
18	80576	SCREW—10-32 x 9/16 spin-lock	1	30	55272	SEAL—garlock	2
19	AA-55220-A	SCREEN and BRACKET	1	31	55215	BEARING—needle	2
		Composed of		32	55214	FELT	1
		BRACKET and BUSHING	1	33	A-55348	RATCHET (includes washer)	1
	AA-55222-A	SCREEN—air	1		†55271	WASHER—formica	1

* Not supplied separately

† Cemented to Ratchet

HOMELITE

IGNITION AND GOVERNOR PARTS

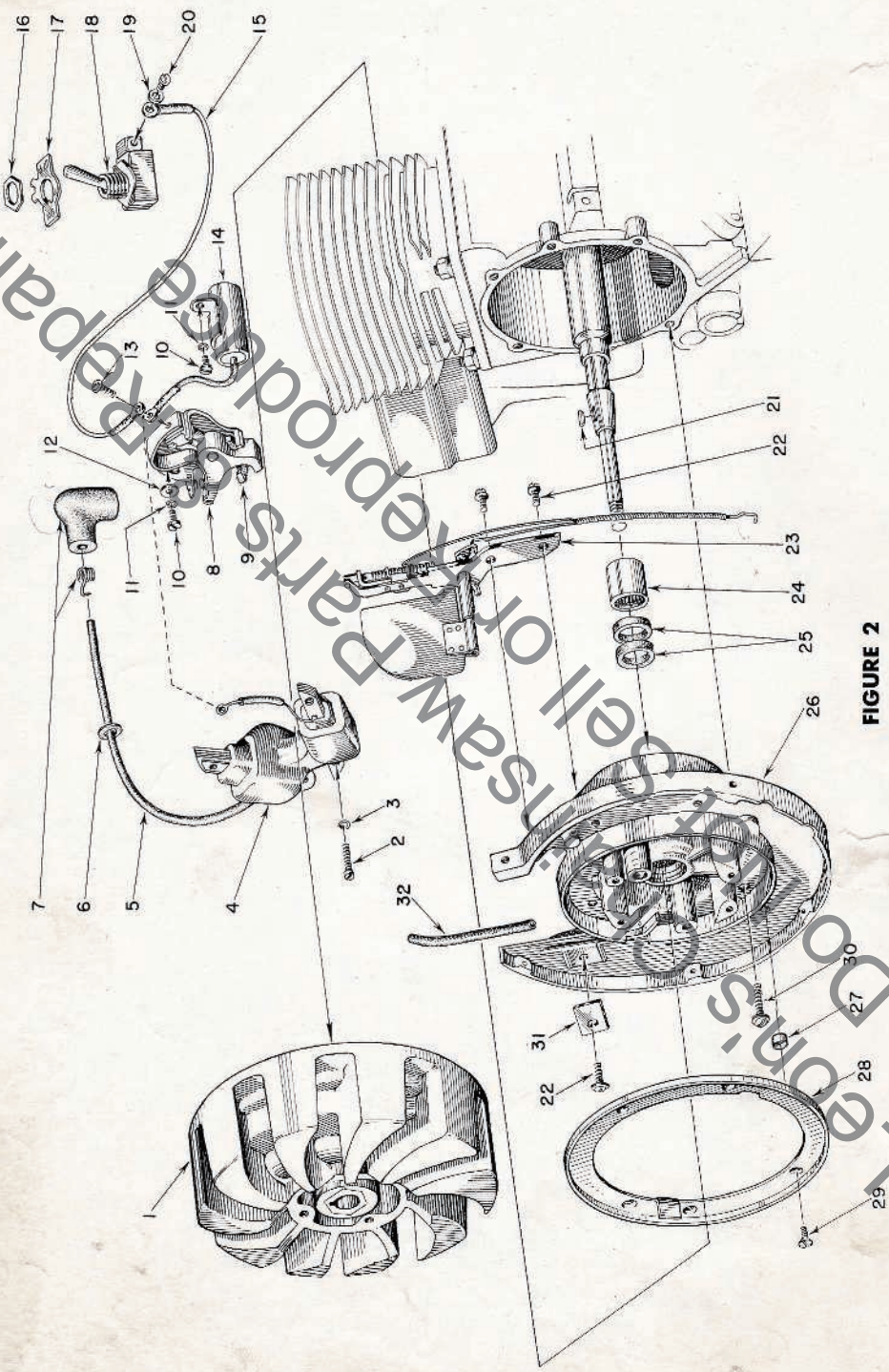


FIGURE 2

HOMELITE CHAIN SAW MODEL 17

PARTS LIST FOR SAWS WITH PHELOM MAGNETO

Index No.	Part No.	Nomenclature	No. Required
1	55011-1	ROTOR—Magneto	1
2	80475	SCREW—6-32 x 3/4 fl. hd.	4
3	83004	WASHER—#6 lock	4
4	55232	COIL and CORE	1
5	55235-A	LEAD—high tension	1
6	60929	GROMMET	1
7	A-55373	TERMINAL (cover and spring)	1
8	55229	POINTS (set) <i>F. 6. 173</i>	1
9	55230	WASHER—spacing (not shown)	2
10	80338	SCREW—8-32 x 5/16 fl. hd.	2
11	83060	WASHER—#8 lock	2
12	84048	WASHER	1
13	80587	SCREW—self tapping <i>F. 6. 132</i>	1
14	55233	CONDENSER	1
15	AA-55283 AA-72094	LEAD—ground	1
16	73614	Composed of	1
17	72085-A	NUT—hex (for toggle switch)	1
18	83071	PLATE—"on - off"	1
19	80469-1	SWITCH	1
20	75078	WASHER—lock #5 int.	2
21	80575	SCREW—5-40 x 5/32 binding hd.	1
22	AA-55147	KEY—rotor	3
23	55159-B AA-55278	SCREW—8-32 x 1/4 spin-lock	1
24	55204	GOVERNOR	1
25	71597	Composed of	1
26	55340	SPRING—governor	1
27	55339	PLATE—back	1
28	80598	Composed of	1
29	80576	BEARING—needle	1
30	55161	SEAL—garlock	2
31	55290	PLATE	1
32	80576	SPACER	1
		GUARD—dust	5
		SCREW—6-32 x 5/16 flat hd.	1
		SCREW—10-32 x 9/16 spin-lock	5
		CLAMP	6
		SLEEVE—insulating	1
		CLAMP—inner (not shown)	1
		SCREW—6-32 x 5/16 flat hd. (for inner clamp)	2

PARTS LIST FOR SAWS WITH WICO MAGNETO

Index No.	Part No.	Nomenclature	No. Required
1	55404	ROTOR	1
2	80594	SCREW	2
3		NOT REQUIRED	
4	55403	COIL	1
5	55407	LEAD—high tension	1
6	60929	GROMMET	1
7	A-55373	TERMINAL (cover and spring)	1
8	28003	POINTS (set)	1
	28008	WASHER	1
	55412	LOCK—spring	1
	30268	WASHER—contact plate	1
	30267	WASHER—spacing	1
9	55411	WICK—felt (now on condenser clamp)	as req'd.
10	30261	SCREW—6-32 x 5/16 pan hd. (contact plate)	1
11	72484	SCREW—8-32 x 5/16 pan hd. (condenser)	1
12	55411	WASHER (fixed contact screw)	1
13	55999	SCREW—6-32 x 5/16 pan hd. (fixed contact)	1
14	55408	CONDENSER	1
15	AA-72094	LEAD—ground	1
16	73614	SWITCH	1
17	72085-A	Composed of	1
18	83071	NUT	1
19	80469-1	PLATE	1
20	75078	SWITCH	1
21	80575	WASHER—lock	1
22	AA-55147	SCREW—5-40 x 5/32 bind. hd.	1
23	A-55406	KEY—rotor	3
24	55204	GOVERNOR	1
25	71597	Composed of	1
26		(see Phelon parts list for breakdown)	
27		PLATE—back	1
28		Composed of	
29		BEARING—needle	1
30		SEAL—garlock	2
31		PLATE	1
32		NOT REQUIRED	
		NOT REQUIRED	
		NOT REQUIRED	
		SCREW—10-32 x 9/16 spin-lock	6
		CLAMP—outer	1
		SLEEVE—insulating	1
		CLAMP—inner (not shown)	1
		SCREW—6-32 x 5/16 flat hd. (for inner clamp)	2

* Not supplied separately

HOMELITE

FUEL TANK AND PRESSURE LUBRICATOR PARTS

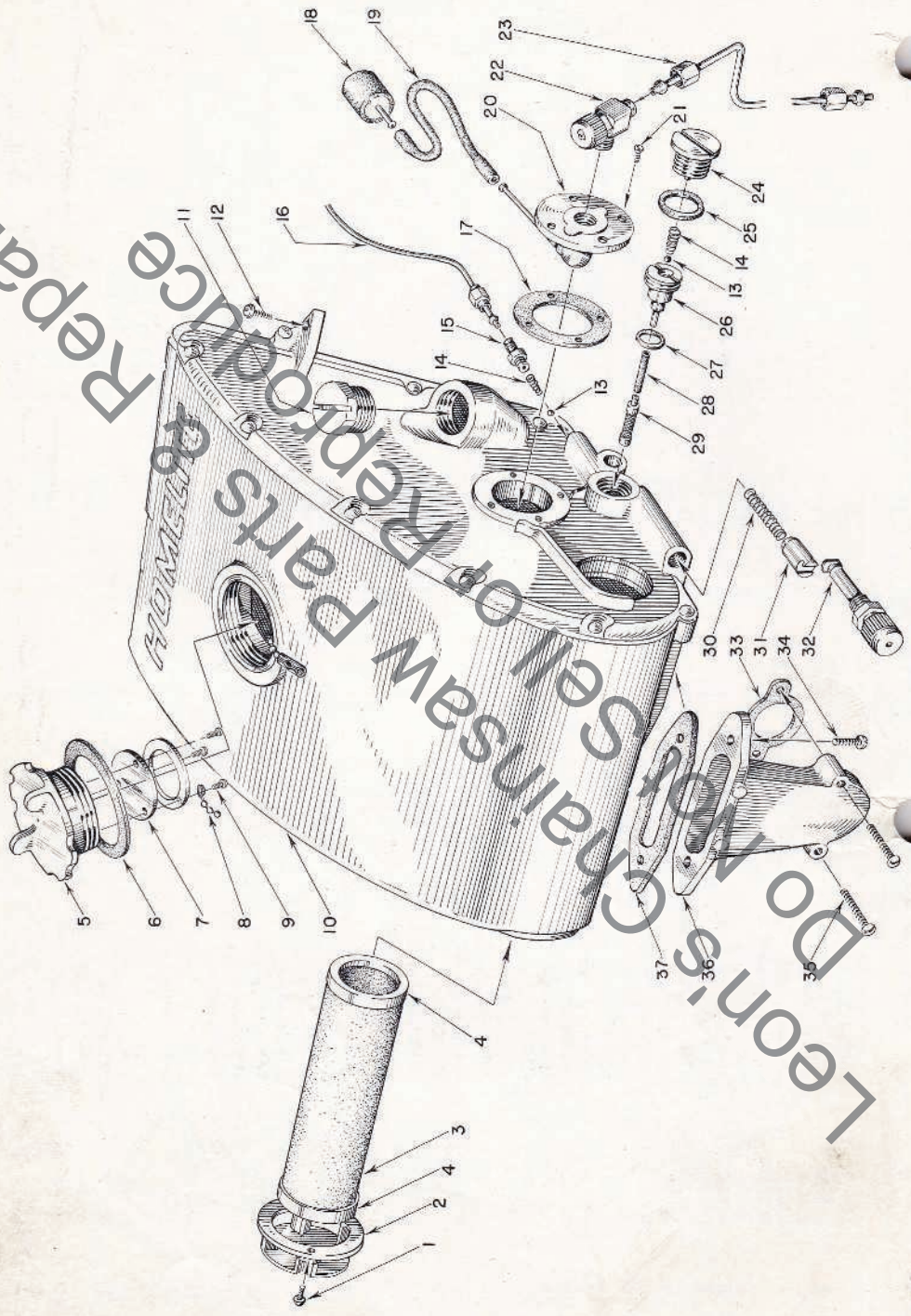


FIGURE 3

HOMELITE CHAIN SAW MODEL 17

PARTS LIST FOR FIGURE 3

Index No.	Part No.	Nomenclature	No. Required	Index No.	Part No.	Nomenclature	No. Required
1	80571	SCREW—6-32 x 3/8 spin-lock	2	17	72174	GASKET—outlet fitting	1
2	55066	CAP—air filter	1	18	AA-72108	FITTING—fuel outlet	1
3	AA-55142	FILTER—air	1			Composed of	
	*	Composed of		19	72107-A	STRAINER—outlet	1
4	55141	ELEMENT	1	20	AA-72475	SLEEVE—flexible	1
	A-55305-A	GASKET	2	21	80451	FITTING—outlet	1
		CAP—fuel	1	22	72175	SCREW—6-32 x 3/8 flat hd.	4
		Composed of		23	AA-55264	VALVE—shut-off	1
5	*	CAP	1	24	AA-55167	LINE—fuel	1
6	72173	GASKET	1	25	55107	CAP—oil supply line	1
7	A-55301-A	VALVE—relief	1	26	AA-55289	GASKET	1
8	83053	WASHER—lock	3	27	55110	SEAT—check valve	1
	*	CHAIN—bead	1	28	55133-A	GASKET	1
9	80592	SCREW—3-48 x 1/4 rd. hd.	3	29	AA-55259	SLEEVE—flexible	1
10	AA-55186	FUEL TANK	1	30	71762	PICK-UP—oil	1
		Composed of		31	71763	SPRING—plunger	1
	*	TANK	1	32	71764	TUBE—plunger	1
	55185	DECAL—starting instructions	1	33	72971	PLUNGER—button	1
	55249	DECAL—Homelite	1	34	80572	GASKET—air elbow	1
11	55140-A	CAP—oil	1	35	80584	SCREW—10-32 x 3/8 spin-lock	2
12	80582	SCREW—8-32 x 5/8 spin-lock	1	36	55019-B	SCREW—8-32 x 1 spin-lock	2
13	25527-1	BALL—check	2	37	55059	ADAPTER—air filter	1
14	55288-A	SPRING—valve	2			GASKET—adapter	1
15	31733-1	ADAPTER—straight	1				
16	AA-55191	LINE—oil	1				

* Not supplied separately

HOMELITE

Do Not Sell or Reproduce
Parts & Repair

PISTOL GRIP AND THROTTLE ASSEMBLY

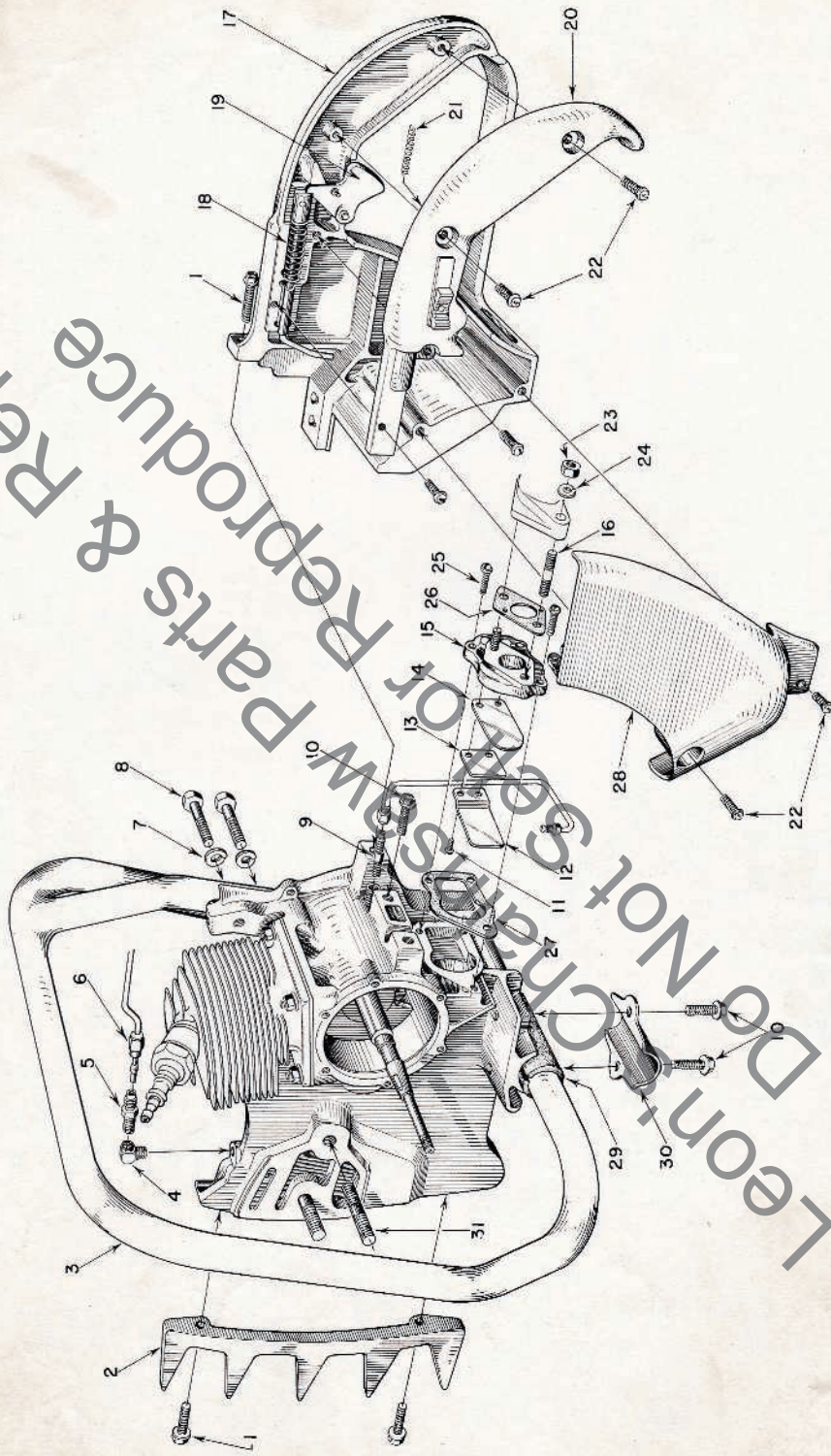


FIGURE 4

HOMELITE CHAIN SAW MODEL 17

PARTS LIST FOR FIGURE 4

Index No.	Part No.	Nomenclature	No. Required	Index No.	Part No.	Nomenclature	No. Required
1	80573	SCREW— $\frac{1}{4}$ -20 x 13/16 hex hd. spin-lock	5	18	AA-55165	ROD—throttle	1
2	55103	PLATE—bumper	1			Composed of	
3	AA-55120	HANDLE—wrap-around (17)	1			ROD	1
	AA-55119	HANDLE—flush-cut (17A)	1		55045	SPRING	1
4	31734	ELBOW—connector	1	19	AA-55207	TRIGGER	1
5	31733-1	ADAPTER—straight	1	20	AA-55228	COVER—grip	1
6	AA-55191	LINE—oil	1			Composed of	
7	83003	WASHER—5/16 lock	2			COVER	1
8	80087	SCREW—5/16-18 x 1 $\frac{1}{2}$ hex hd.	2		AA-55282	LOCK—throttle	1
9	55267	ADAPTER—straight	1			Composed of	
10	80581	SCREW— $\frac{1}{4}$ -20 x $\frac{5}{8}$ hex hd. spin-lock	4			BUTTON—lock	1
	AA-55082	VALVE—reed	1			LOCK—throttle	1
		Composed of				LOCK—throttle	1
11	80605	SCREW—6-32 x 5/16 spin-lock	2	21	72970	SPRING—lock	1
12	55105	CLAMP—reed limit	2	22	80560	SCREW—8-32 x $\frac{1}{2}$ spin-lock	7
13	55078-A	SPRING—reed	1	23	81013	NUT— $\frac{1}{4}$ -20 hex	2
14	55074-B	REED	1	24	83009	WASHER— $\frac{1}{4}$ lock	2
15	55071-A	ADAPTER—reed valve	1	25	80583	SCREW—10-32 x $\frac{3}{4}$ spin-lock	3
16	27464	STUD	2	26	73460	GASKET—carburetor	1
17	AA-55281	GRIP—pistol	1	27	55116	GASKET—reed valve adapter	1
				28	55104	SHIELD—carburetor	1
				29	55146	CUSHION—handle	1
				30	55145	CLAMP—handle	1
				31	55056-C	STUD—guide bar	2

* Not supplied separately

HOMELITE

CARBURETOR PARTS

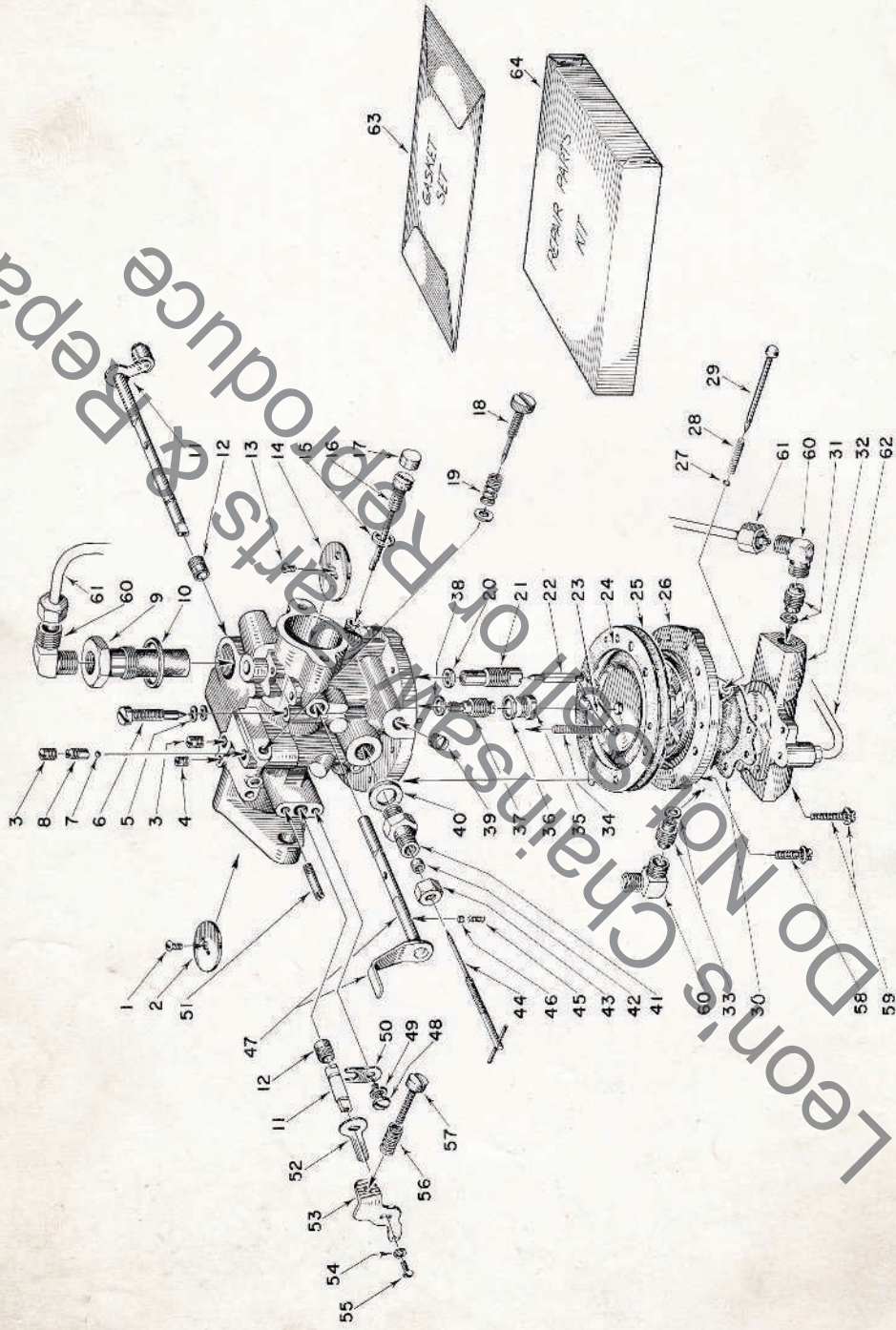


FIGURE 5

HOMELITE CHAIN SAW MODEL 17

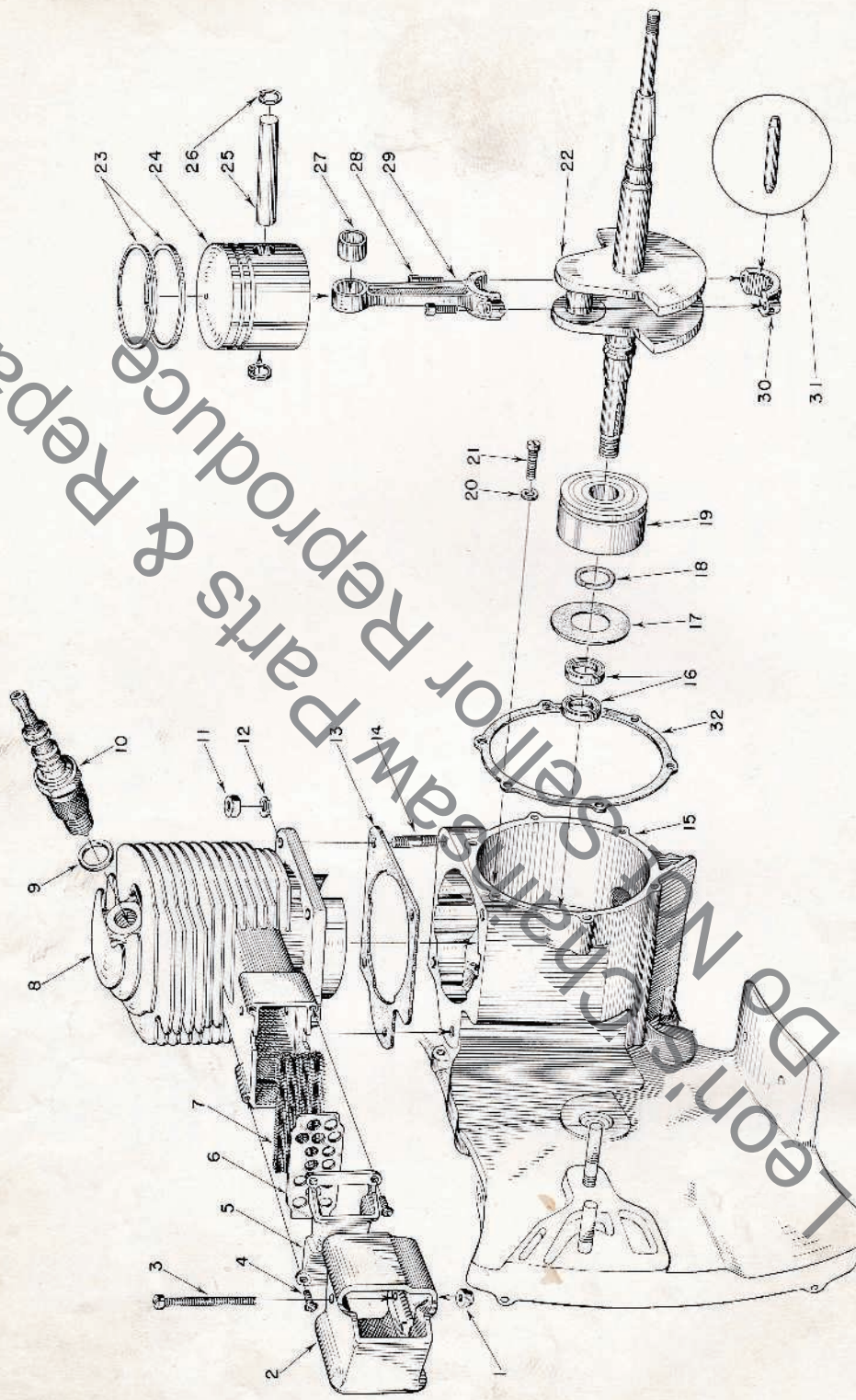
PARTS LIST FOR FIGURE 5

Index No.	Part No.	Nomenclature	No. Required	Index No.	Part No.	Nomenclature	No. Required
	A-55285	CARBURETOR	1	30	†55313	DIAPHRAGM—fuel pump	1
		Composed of		31	†55315	VALVE—"out" (with gasket)	1
	*	CARBURETOR (Till. #HP-1A)	1	32	55312	BODY—pump	1
		Composed of		33	†55314	VALVE—"in" (with gasket)	1
1	†71519	SCREW—shutter	1	†73270	GASKET	2	
2	55308	SHUTTER—throttle	1	†73082	SPRING—inlet control lever	1	
3	73068	SCREW—plug	2	73085	SCREW—nozzle channel plug	1	
4	73067	SCREW—plug	1	73425	GASKET—channel plug	1	
	†AA-73615	SCREW—control	1	†55310	NOZZLE—main	1	
		Composed of		37	†73270	GASKET—nozzle	1
5	73616	GASKET—copper	2	38	71516	SCREW—plug (drain)	1
6	*	SCREW	1	39	AA-73269	SCREW—main adjustment	1
7	†60051	BALL—idle check valve	1		Composed of		
8	†73251	SEAT—idle check valve	1	40	28055	GASKET—gland	1
9	55306	CONNECTION—inlet	1	41	28057	GLAND	1
10	73266	GASKET—connection	1	42	†5037	PACKING	1
11	55307	SHAFT—throttle	1	43	28058	NUT	1
12	72812	BUSHING—shaft	2	44	†73083	SCREW—main adjustment	1
13	28049	SCREW—choke shutter	1	45	73264	SPRING—choke friction	1
14	73263	SHUTTER—choke	1	46	71494	PIN—choke friction	1
15	73268	GASKET—pinion screw	1	47	55317	SHAFT—choke	1
16	†73080	SCREW—pinion	1	48	73088	SCREW—throttle shaft clip	1
17	73267	CAP—pinion screw	1	49	83000	WASHER—lock #8	1
18	†73074	SCREW—idle mixture	1	50	73086	CLIP—throttle shaft	1
19	†73075	SPRING—idle screw	1	51	55309	PIN—throttle stop	1
	†73078	NEEDLE and SEAT—inlet	1	52	55172	SPRING—governor arm retaining	1
		Composed of		53	55171	LEVER—throttle stop	1
20	55344	GASKET—seal	1	54	†83008	WASHER—lock #4	1
21	*	SEAT—inlet	1	55	†80006	SCREW—stop lever retaining	1
22	*	NEEDLE—inlet	1	56	†28064	SPRING—idle stop screw	1
23	†73079	LEVER—control	1	57	†71509	SCREW—idle stop (speed control)	1
24	73071	GASKET—cover	1	58	73072	SCREW—(with lockwasher)	7
25	†73070	DIAPHRAGM—main	1	59	†55316	SCREW—(with lockwasher)	1
	A-55322	COVER—diaphragm	1	60	S-740-1	ELBOW—connector	3
		Composed of		61	AA-55262	LINE—carburetor supply	1
26	*	COVER	1	62	AA-55266	LINE—pump activator	1
27	55323	RETAINER—plunger	1	63	†55345	SET—gasket and packing	1
28	55324	SPRING—plunger	1	64	55346	KIT—repair parts	1
29	55325	PLUNGER	1				

* Not supplied separately

† Included in 55346 Repair Parts Kit
‡ Same as Main Nozzle Gasket

ENGINE PARTS



De Nieuwe...
Leonie...
Chassis...
Parts & Repair
or Reproduce

FIGURE 6

HOMELITE CHAIN SAW MODEL 17

PARTS LIST FOR FIGURE 6

Index No.	Part No.	Nomenclature	No. Required	Index No.	Part No.	Nomenclature	No. Required
1	81109	NUT—10-32 flex-lock	1	19	55193	BEARING—main	1
2	55089-A	DAMPER—heat	1	20	83061	WASHER—lock, spec. thin.	2
3	80574	SCREW—10-32 x 1 3/8 rd. hd.	1	21	19238-A	SCREW—main bearing retaining	2
4	80571	SCREW—6-32 x 3/8 spin-lock	4	22	55008 B	CRANKSHAFT	1
5	55090-B	CAP—exhaust	1	23	55038	RING—piston	2
6	55295-A	RETAINER—muffler element	1		AA-55279	PISTON and PIN	1
7	55199	ELEMENT—muffler	1			Composed of	
8	55000-B	CYLINDER	1	24	*	PISTON	1
9	25038	GASKET—(included with spark plug)	1	25	*	PIN—piston	1
10	71530	SPARK PLUG—Champion HO-8A	1	26	55095	RING—piston pin retaining	2
11	81065	NUT—1/4-28 hex	4		AA-55195	CONNECTING ROD	1
12	83009	WASHER—1/4 lock	4			Composed of	
13	55050	GASKET—cylinder	4	27	55196	BEARING—piston pin	1
	AA-55277	CRANKCASE	1	28	80541	SCREW—8-32 x 1/2 allen cap	2
		Composed of		29	*	ROD	1
14	71304	STUD—cylinder	4	30	*	CAP	1
15	*	CRANKCASE AND GEARCASE	1	31	AA-55280	ROLLERS (set)	1
16	71597	SEAL—rod lock	2			Composed of	
17	55048	GASKET—crankcase sealing	1		72256	ROLLER—needle (see insert)	27
18	55047	RING—retaining (main bearing)	1	32	55049	GASKET—back plate	1

* Not supplied separately

HOMELITE

Do Not Reproduce or Repair
ChainSaw Parts & Repair

GEAR CASE AND SPROCKET PARTS

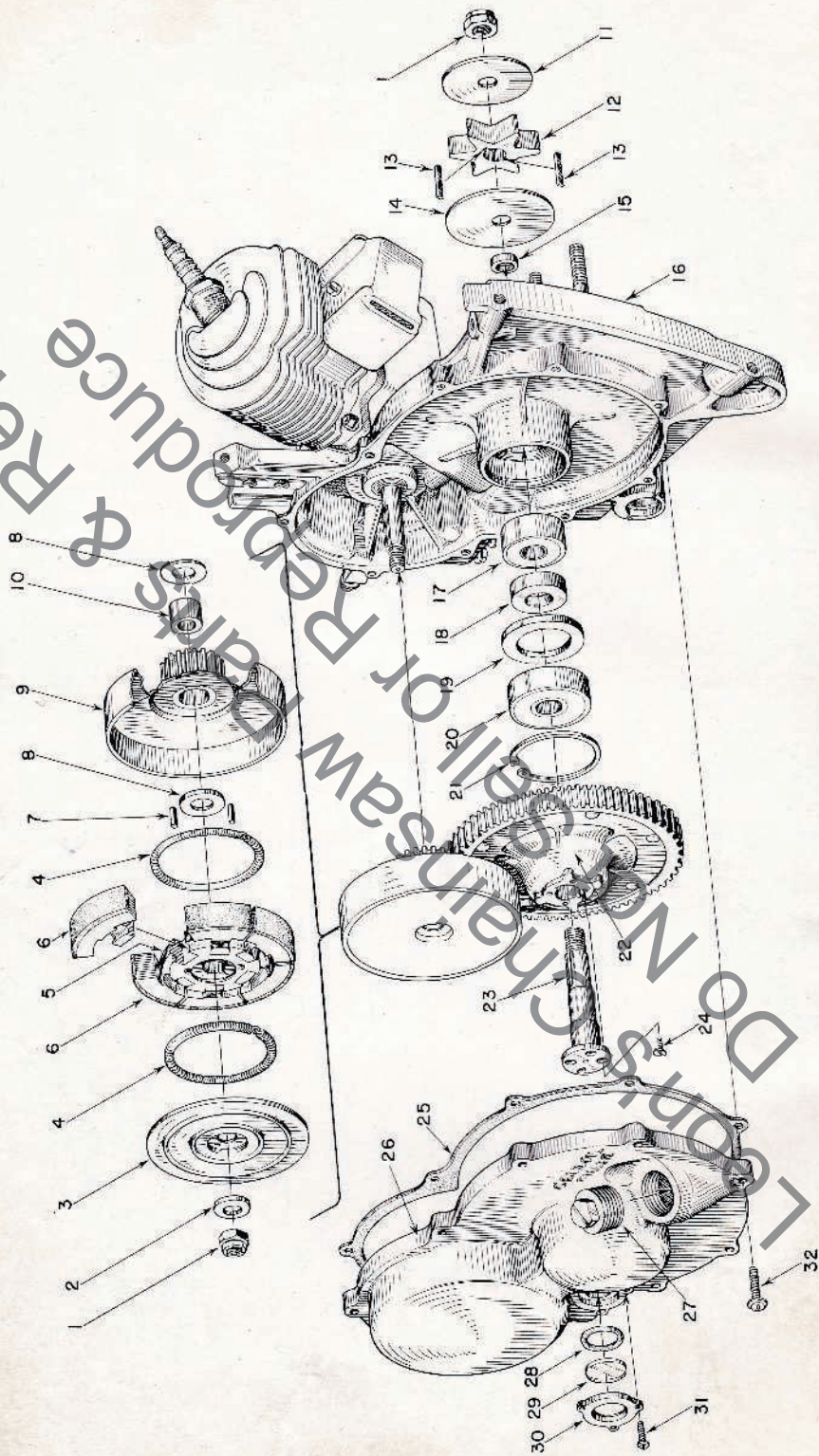


FIGURE 7

HOMELITE CHAIN SAW MODEL 17

PARTS LIST FOR FIGURE 7

Index No.	Part No.	Nomenclature	No. Required	Index No.	Part No.	Nomenclature	No. Required
1	81116	NUT— $\frac{3}{8}$ -.24 flex-lock	2	17	55184	BEARING—ball	1
2	55036	WASHER—clutch	1	18	55024	SPACER—bearing	1
3	55126	COVER—clutch	1	19	55025	SHOULDER—bearing	1
	AA-55124	CLUTCH	1	20	72040	BEARING—ball	1
		Composed of		21	28972	RING—retaining	1
4	55123	SPRING	2	22	AA-55068-A	DRIVEN GEAR	1
5	55075	SPIDER	1	23	55905-B	SHAFT—sprocket	1
6	AA-55122	SHOE	6	24	80603	SCREW—10-32 x 7/16 flat hd.	4
7	55225	KEY—clutch	1	25	55053-A	GASKET—cover	1
8	55034	WASHER—thrust	2		AA-55226	COVER—gear case	1
9	AA-55086	CLUTCH DRUM (and drive gear)	1			Composed of	
10	55035	BEARING—drive gear	1	26	*	COVER	1
11	55163	WASHER—sprocket (outer)	1	27	55140-A	PLUG—oil filler	1
12	55101	SPROCKET—chain drive	1	28	55100	GASKET—"O" ring	1
13	55190	KEY—sprocket	2	29	55099	WINDOW—plastic	1
14	55162	WASHER—sprocket (inner)	1	30	55098	PLATE—window	1
15	55023	SPACER—sprocket	1	31	80571	SCREW—6-32 x $\frac{3}{8}$ spin-lock	3
16	†	CRANKCASE	1	32	80572	SCREW—10-32 x $\frac{5}{8}$ spin-lock	9

* Not supplied separately

† AA-55277 — for breakdown see figure 6 Engine Parts

HOMELITE

SAW PARTS

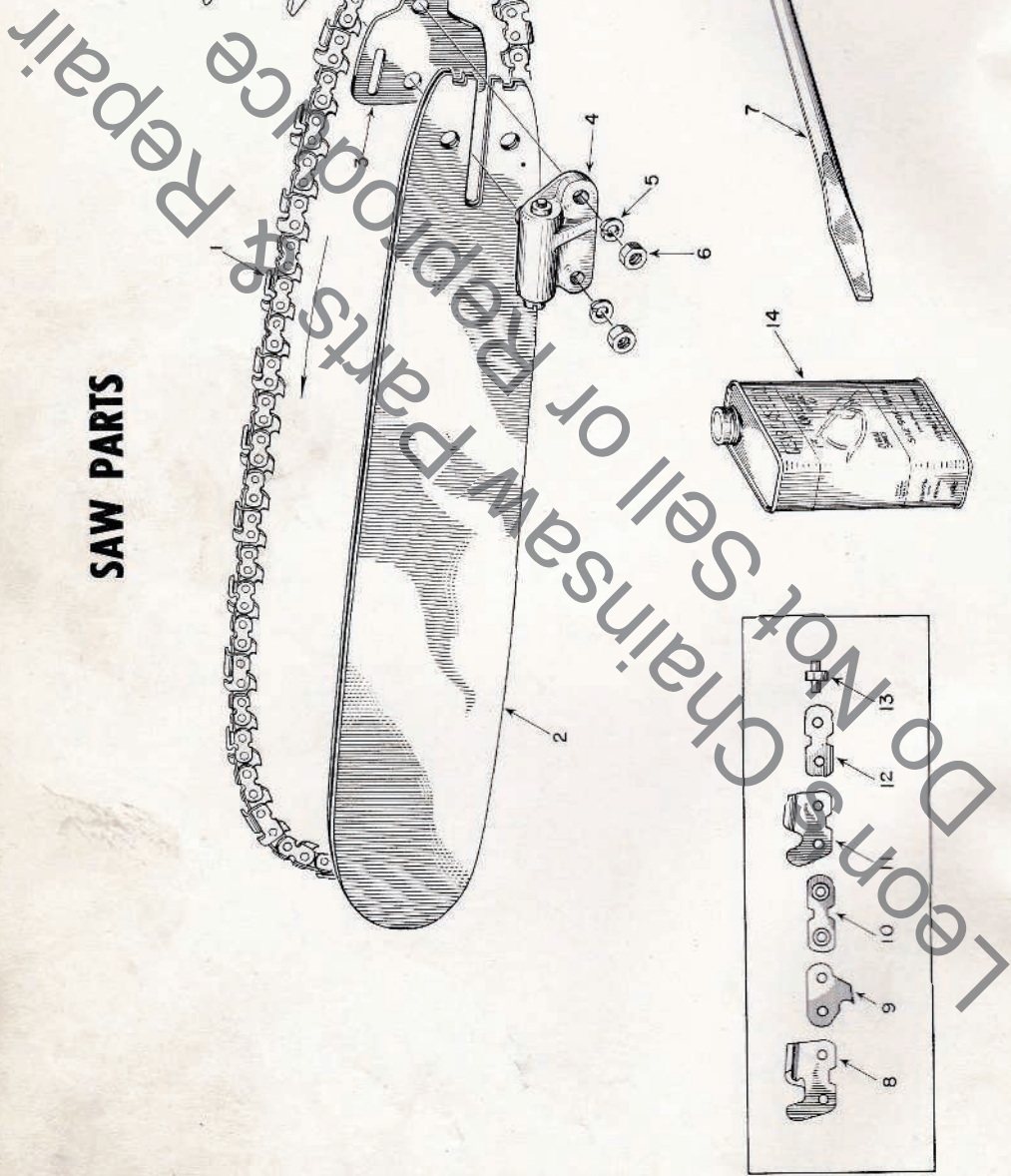


FIGURE 8

HOMELITE CHAIN SAW MODEL 17

PARTS LIST FOR FIGURE 8

Index No.	Part No.	Nomenclature	No. Required	Index No.	Part No.	Nomenclature	No. Required	
1	A-55338	14" CHAIN—#10 with kit	1	3	55336-1	38" BAR—extra hard tip .063	1	
	AA-73338	18" CHAIN—#10 with kit	1		55128	SHIM—bar	1	
	A-55319	20" CHAIN—#10 with kit	1		AA-55127	PLATE—adjusting	1	
	*AA-73340	23" CHAIN—#10 with kit	1		83018	WASHER—lock	2	
	**AA-73342	28" CHAIN—#10 with kit	1		81089	NUT— $\frac{3}{8}$ "-16 hex	2	
	AA-73344	33" CHAIN—#10 with kit	1		22808	WRENCH—combination	2	
	AA-73346	38" CHAIN—#10 with kit	1		AA-73314	KIT—chain repair	1	
	A-55333	14" BAR—track hardened .063	1		Composed of			
	A-55255	18" BAR—track hardened .063	1		72964	CUTTER—left	1	
	A-55331	20" BAR—track hardened .063	1		73383	LINK—drive	1	
	A-55256	23" BAR—track hardened .063	1		AA-72961	LINK—connecting (with rivets)	2	
	A-55257	28" BAR—track hardened .063	1		72963	CUTTER—right	1	
	55329-1	18" BAR—extra hard tip .063	1		72960	LINK—connecting (plain)	2	
	55327-1	23" BAR—extra hard tip .063	1		72959	RIVET	4	
55330-1	28" BAR—extra hard tip .063	1	55291	OIL—gear (pint can SAE-90)	1			
55335-1	33" BAR—extra hard tip .063	1						

* Also fits 14" Bow Saw

** Also fits 18" Bow Saw

HOMELITE

PLUNGE CUT BOW ATTACHMENT

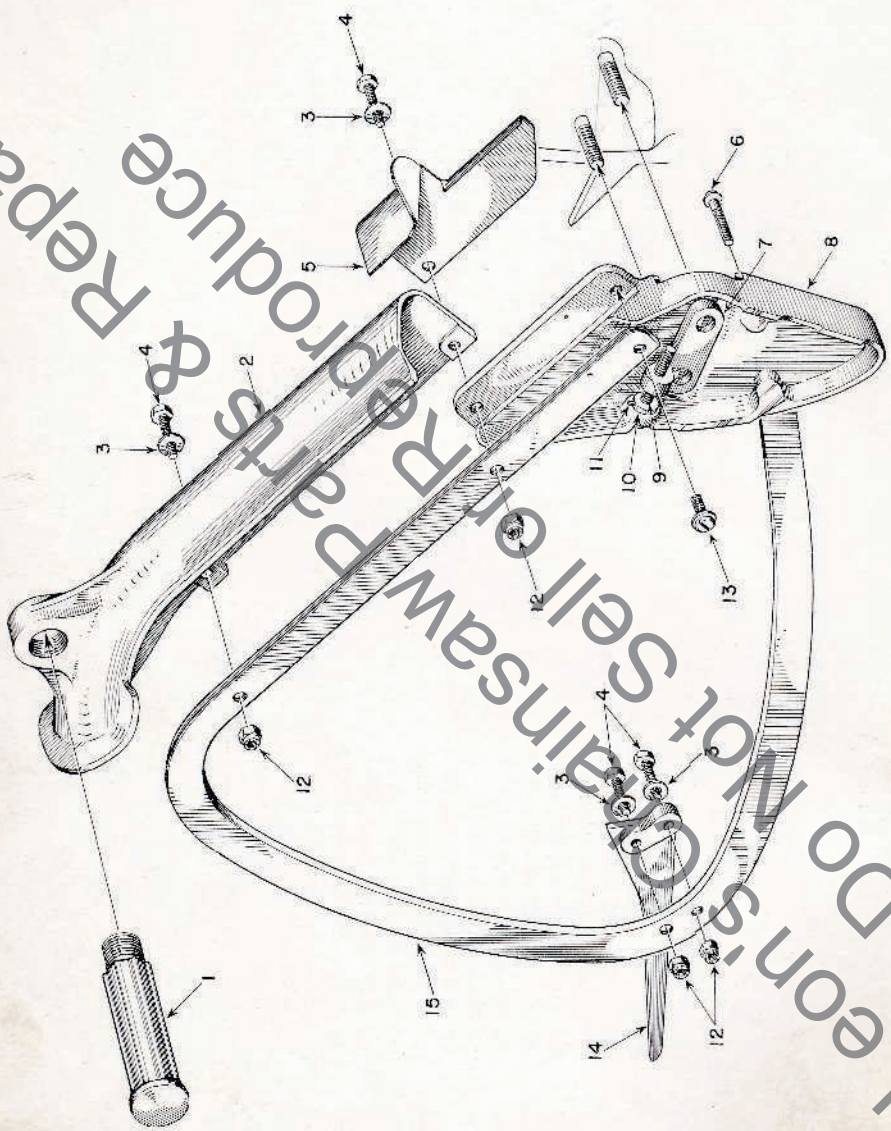
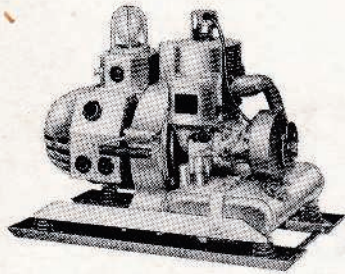


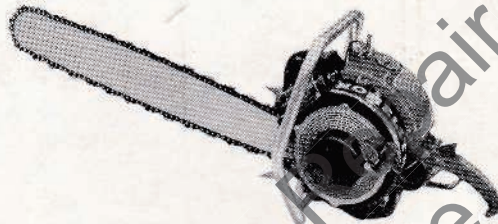
FIGURE 9

HOMELITE *Carryable* PRODUCTS



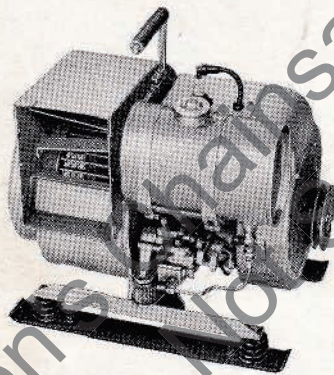
GENERATORS

Alternating or Direct Current
Gasoline-Engine-Driven
Sizes: 1000 to 5000 watts
Voltages: 6 to 220 volts
Frequencies: 50 to 400 cycles



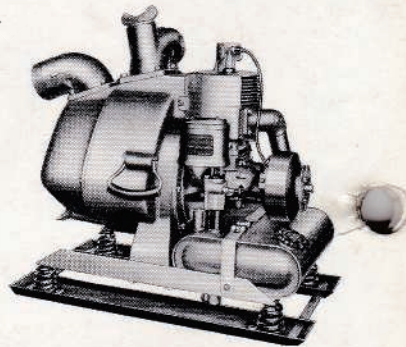
CHAIN SAWS

Gasoline-Engine-Driven
3 1/2 HP to 5 1/2 HP
Straight Blade and Bows



BLOWERS

Smokejectors Ventilators
Gasoline-Engine-Driven
Capacities: 1500 CFM



PUMPS

Self-Priming Centrifugal
Gasoline-Engine-Driven
Sizes: 1 1/2", 2", 3"
Capacities: 5,500 to 15,000 gph

HOMELITE CORPORATION • PORT CHESTER, N.Y., U.S.A.

Printed in U.S.A.

PART NO. 22836

50M-3-55

A TRUSPECTIVE Publication by
The PURNELL COMPANY
Boston, Mass.