

HOMELITE®

PARTS LIST

HEDGE TRIMMER

MODEL:

HT23

UT18005A

UT18005B



Part No. 18430
Printed in U.S.A.
Price \$1.00

HT-23

Figure 1

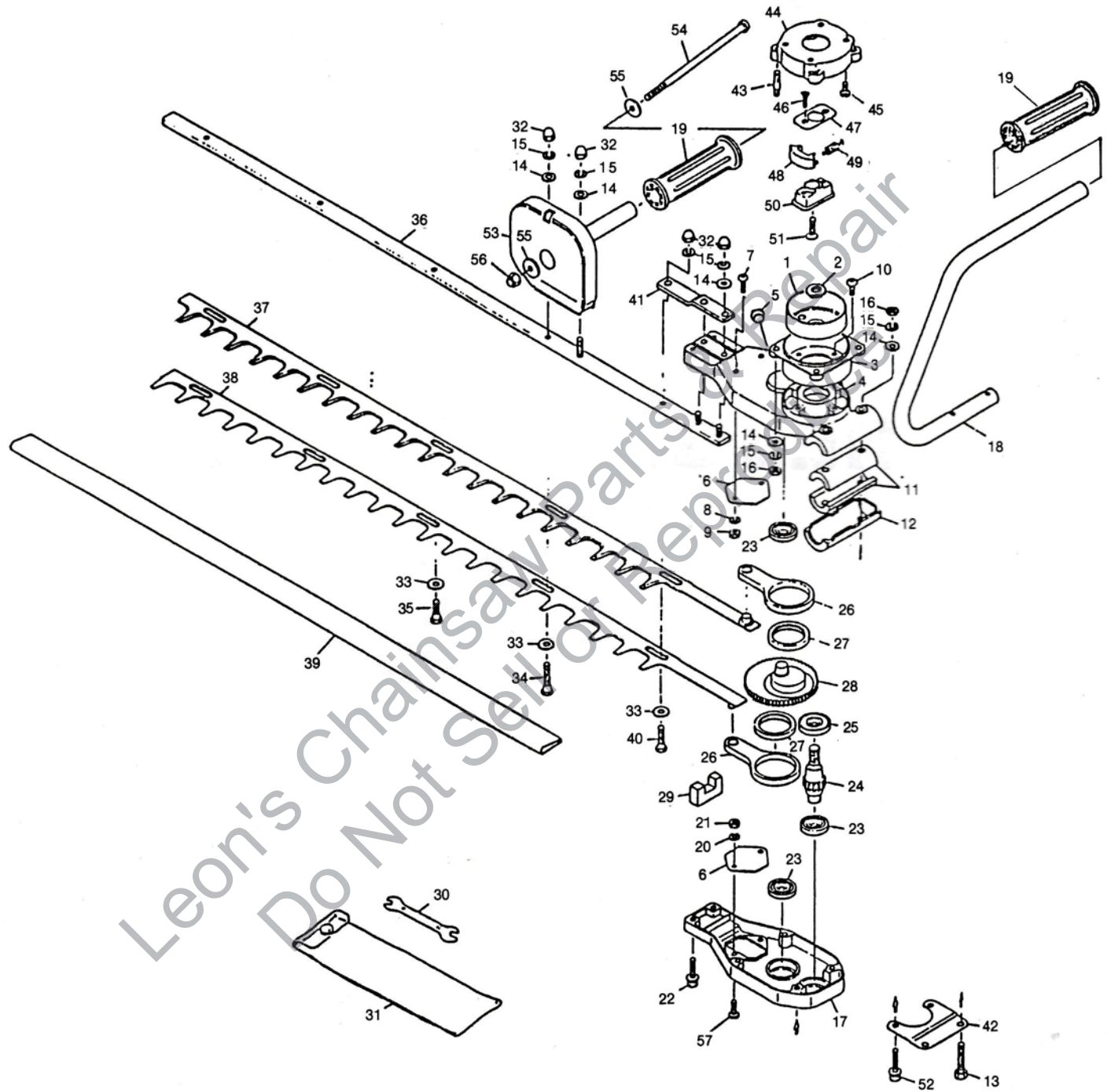


Figure 1

Ref. No.	Part No.	Description	Qty.
1	98554-01	CLUTCH DRUM	1
2	98554-02	NUT- (M10) (Thin)	1
3	98554-03	CLUTCH HOUSING	1
4	02547-01	TRANSMISSION CASE	1
5	98554-05	GREASE NIPPLE	1
6	98554-06	FRICTION PLATE	2
7	98554-07	SCREW- (M5 x 14)	2
8	98552-16	SPRING WASHER (5)	2
9	98554-08	NUT- (M5)	2
10	98554-09	SCREW- (M5 x 12)	4
11	98554-10	HANDLE- Rubber	2
12	02547-02	PLATE- Rear handle	1
13	98554-12	BOLT- Rear handle	2
14	98552-23	WASHER- Plain (6)	6
15	98552-24	WASHER- Spring (6)	10
16	98554-37	NUT- (M6)	2
17	02547-03	CASE COVER	1
18	A-98554-29	REAR HANDLE COMPL.	1
19	98554-28	HANDLE- Grip	2
20	98552-16	WASHER- Spring (5)	2
21	98554-08	NUT- (M5)	2
22	98554-15	BOLT- (3) (M5 x 25)	2
23	98552-03	BEARING- Ball (#6001)	3
24	98554-17	PINION	1
25	98554-18	BEARING- Ball (#6201LL)	1
26	98554-19	ROD- Crank	2
27	98554-20	NEEDLE BEARING (YTL33417)	2
28	98554-21	CRANK SHAFT	1
29	98554-22	OIL FELT	1

Ref. No.	Part No.	Description	Qty.
30	98554-46	SPANNER- (8 x 10)	1
31	98554-45	TOOL- Bag	1
32	98554-23	U-NUT (M6)	8
33	98554-24	WASHER- Blade bolt	5
34	98555-82	BOLT- Blade (Long)	1
35	98554-26	BOLT- Blade (Short)	3
36	98554-30	GUIDE BAR	1
37	98554-32	BLADE	1
38	98554-33	BLADE	1
39	98554-34	BLADE- Cover	1
40	02547-04	BOLT- Blade (Medium)	1
41	98555-76	PLATE- Guide bar	1
42	98555-75	PLATE- Rear handle	1
43	A-02547-05	BOLT- Engine mount	1
44	98554-38	ENGINE MOUNT	1
45	98554-09	SCREW- (M5 x 12)	4
46	98552-46	SCREW- Flat hd. (M4 x 12)	2
47	98552-45	PLATE- Clutch	1
48	98554-41	CLUTCH SHOE	2
49	98554-42	CLUTCH SPRING	2
50	98552-42	CLUTCH GUIDE	1
51	98552-47	SCREW- Flat hd. (M6 x 18)	1
52	98554-16	BOLT- (3) (M5 x 30)	4
53	*02547-08	HANDLE- Front	1
54	02547-09	SCREW- (M5 x 120)	1
55	02547-10	BLADE- Bolt washer	2
56	98552-17	U-NUT- (M5)	1
57	98554-07	SCREW- (M5 x 14)	2

*For complete handle assembly order part no. A-02547-11

HT-23

Figure 2

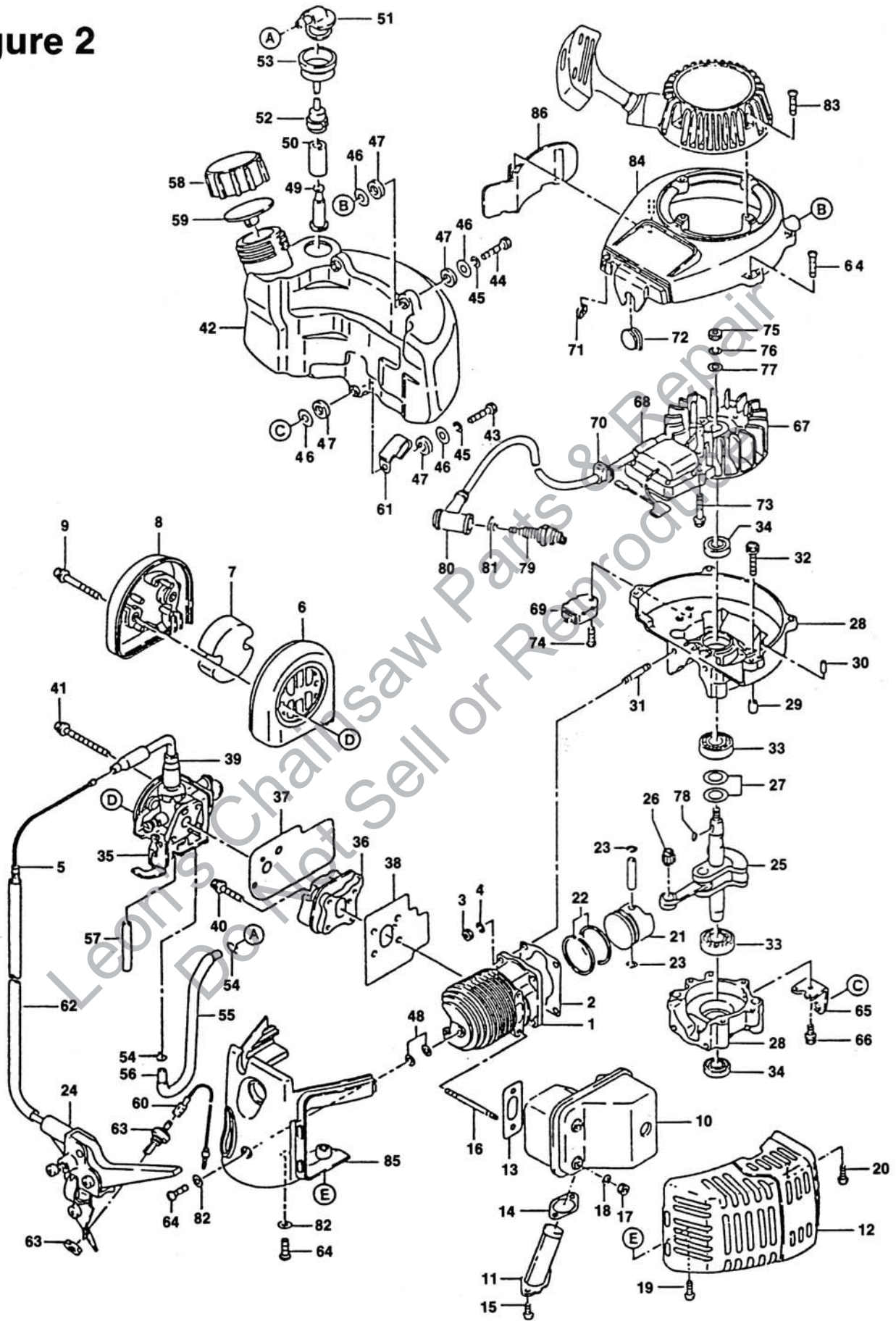


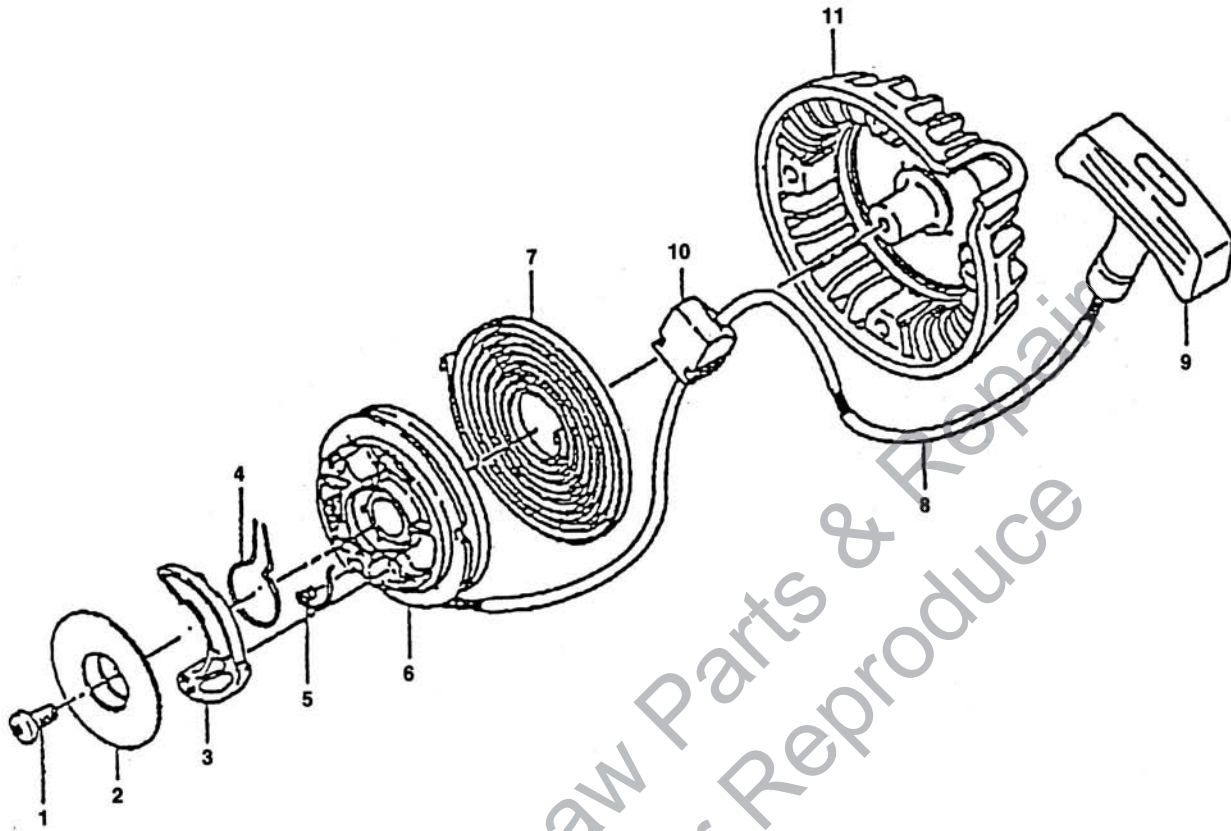
Figure 2

Ref. No.	Part No.	Description	Qty.
1	02510-01	CYLINDER	1
2	98554-48	GASKET	1
3	98554-49	NUT- (5 mm)	4
4	98554-50	WASHER- Spring	4
5	02510-49	CABLE- Throttle	1
6	00808-07	CASE- Air filter	1
7	98060-06	ELEMENT- Air filter	1
8	02510-03	CAP- Air filter	1
9	02510-04	SCREW- (4 x 28)	2
10	A-02510-05	MUFFLER COMP.	1
11	02510-06	ARRESTER- Spark	1
12	A-02510-07	COVER ASSY.	1
13	02510-08	GASKET	1
14	02510-09	GASKET	1
15	98555-77	SCREW	2
16	02510-10	STUD	2
17	02510-11	NUT- (5 mm)	2
18	02510-12	WASHER	2
19	02510-13	SCREW	1
20	02510-14	SCREW	1
21	A-98555-49	PISTON Includes:	1
22	98554-57	PISTON RING SET	1
23	98060-26	RING- Snap	2
24	98555-50	LEVER- Throttle	1
25	A-98554-58	CRANK SHAFT ASSY. Includes:	1
26	98060-28	BEARING- Needle	1
27	A-98063-25	SHIM ASSY.	A/R
28	A-02510-15	CRANK CASE ASSY. Includes:	1
29	02510-16	PIN- Dowel	2
30	98060-43	PIN- Dowel	2
31	98554-63	STUD	4
32	98060-45	SCREW	4
33	98552-67	BEARING- Ball	2
34	02510-17	SEAL- Oil	2
35	A-02510-53	CARBURETOR ASSY.	1
36	02510-18	INSULATOR	1
37	02510-19	GASKET	1
38	02510-20	GASKET	1
39	02510-21	CAP	1
40	02510-22	SCREW	2
41	98552-75	SCREW- (5 x 45)	2

Ref. No.	Part No.	Description	Qty.
42	02510-23	TANK- Fuel	1
43	00808-40	BOLT	1
44	02510-24	BOLT	2
45	98554-78	WASHER	3
46	02510-25	WASHER	6
47	02510-26	DAMPER	6
48	02510-48	WASHER	4
49	98060-62	WEIGHT- Fuel tank	1
50	98060-60	ELEMENT	1
51	98552-78	JOINT	1
52	98060-63	CLAMP	1
53	98552-79	PIPE- Strainer	1
54	98552-82	CLIP	2
55	02510-28	TUBE	1
56	02510-29	TUBE	1
57	98552-80	TUBE	1
58	98060-66	CAP- Tank	1
59	98060-67	BREATHER	1
60	02510-30	WIRE- Lead	1
61	02510-31	CLAMP	1
62	02510-32	TUBE	1
63	A-98555-83	SWITCH- Stop	1
64	98554-87	SCREW- (4 x 16)	6
65	02510-35	BRACKET- Tank	1
66	02510-36	BOLT	1
67	02510-37	FLYWHEEL	1
68	02510-38	COIL- Ignition	1
69	98554-96	IGNITER	1
70	02510-39	GROMMET	1
71	98060-86	GROMMET	1
72	02510-40	GROMMET	1
73	02510-41	BOLT	2
74	98554-98	SCREW- (4 x 6)	1
75	98060-34	NUT- (8 mm)	1
76	98063-57	WASHER- Spring	1
77	98063-27	WASHER	1
78	98060-83	KEY	1
79	63710-S	PLUG- Spark (CJ-8)	1
80	98060-90	CAP- Plug	1
81	98060-91	SPRING	1
82	02510-47	WASHER	2
83	02510-42	SCREW	4
84	02510-43	HOUSING- Fan	1
85	02510-44	SHROUD	1
86	02510-45	PLATE	1

HT-23

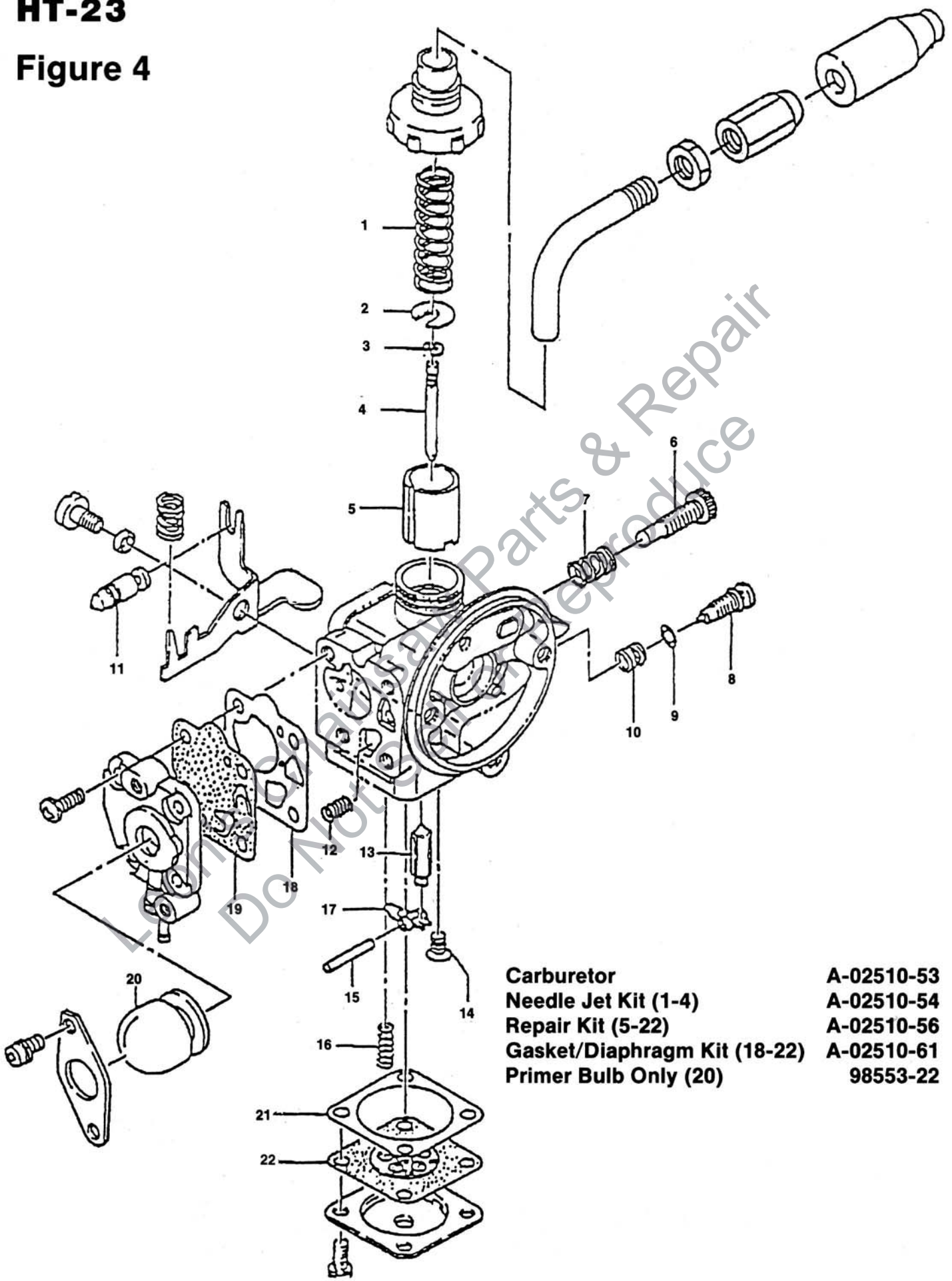
Figure 3



Ref. No.	Part No.	Description	Qty.
1	98555-55	SCREW	1
2	98064-01	RETAINER	1
3	98061-03	PAWL- Recoil	1
4	02510-63	SPRING	1
5	98061-05	SPRING- Return	1
6	98555-43	REEL- Recoil	1
7	02510-64	SPRING- Spiral	1
8	02510-65	ROPE- (3.5 x 890)	1
9	98555-44	HANDLE- Recoil starter	1
10	02510-66	GUIDE- Rope	1
11	02510-69	CASE- Recoil	1

HT-23

Figure 4



- Carburetor A-02510-53
- Needle Jet Kit (1-4) A-02510-54
- Repair Kit (5-22) A-02510-56
- Gasket/Diaphragm Kit (18-22) A-02510-61
- Primer Bulb Only (20) 98553-22

SYMBOL DEFINITIONS



DANGER!



READ YOUR PRODUCT LITERATURE.



DANGER- KEEP HANDS AND FEET AWAY.

HEADQUARTERS

HOMELITE DIVISION OF TEXTRON INC.

P.O. BOX 7047

CHARLOTTE, N.C. 28241

OVERSEAS OFFICES

NETHERLANDS

HOMELITE TEXTRON
DIVISION OF TEXTRON ATLANTIC
(HDQS. — Europe, Africa and Middle East)
Haverstraat 24
2153 GB Nieuw Vennep
The Netherlands

ENGLAND

HOMELITE
DIVISION OF TEXTRON LIMITED
UNIT 22
Hither Green Trading Estate
Clevedon (Nr. Bristol)
Avon, BS 21 6XU England

FRANCE

HOMELITE TEXTRON
UNE DIVISION DE TEXTRON
S.A.R.L.
Z.I. du Vert-Galant
Rue du Chateau/Rue de la Garenne
95310 Saint-Quen-L'Aumone
France

AUSTRALIA

HOMELITE DIVISION OF TEXTRON PACIFIC LIMITED
HEADQUARTERS
22 Terra - Cotta Drive
Blackburn, 3130
Victoria, Australia

CANADIAN OFFICES

HOMELITE

DIVISION OF TEXTRON CANADA LIMITED
1850 55th Avenue
Lachine, Quebec, Canada
H8T 3J5

Unit #10, 3260 Viking Way
Richmond, British Columbia
V6V 1N6

16520-111th Avenue
Edmonton, Alberta
T5M 3V8

595 Canarctic Drive
Downsview (Toronto)
Ontario, Canada
M3J 2P9

45 Brandon Street
Moncton, New Brunswick
E1C 7E7

HOMELITE **TEXTRON**

Homelite Division of Textron Inc.