

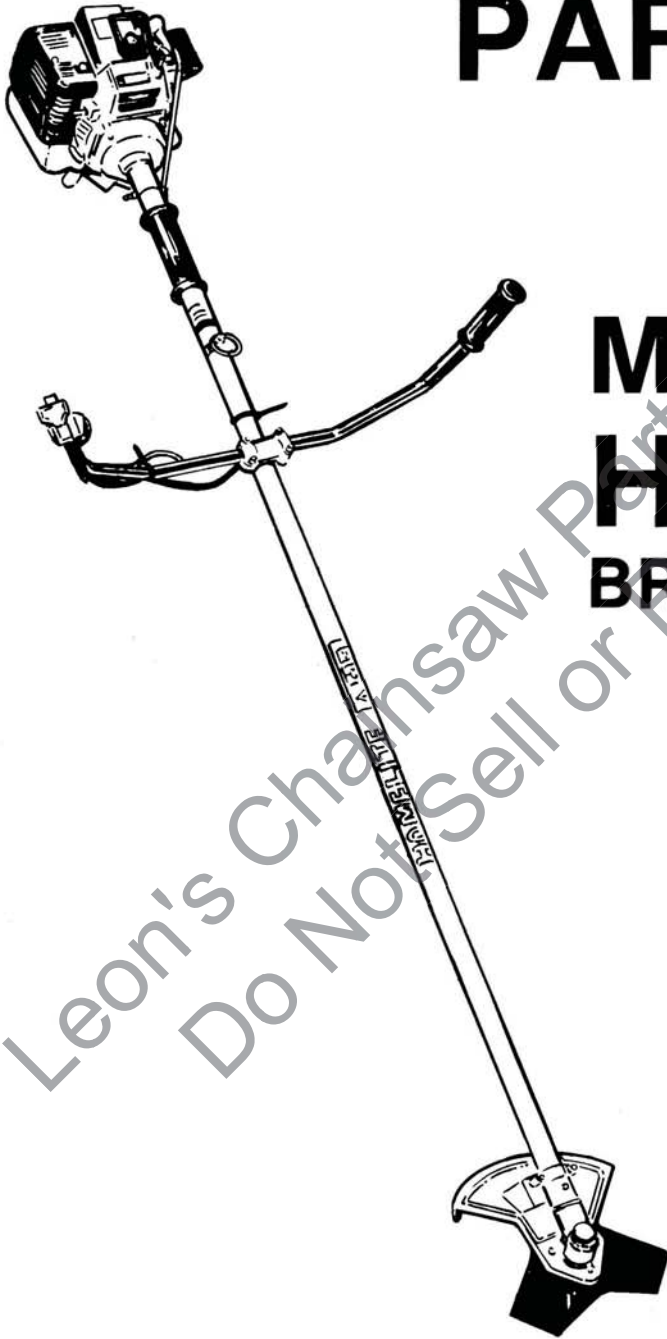
PART NUMBER 18042

Printed in U.S.A.

Price .35¢

HOMELITE®

PARTS LIST



MODEL

HK-30

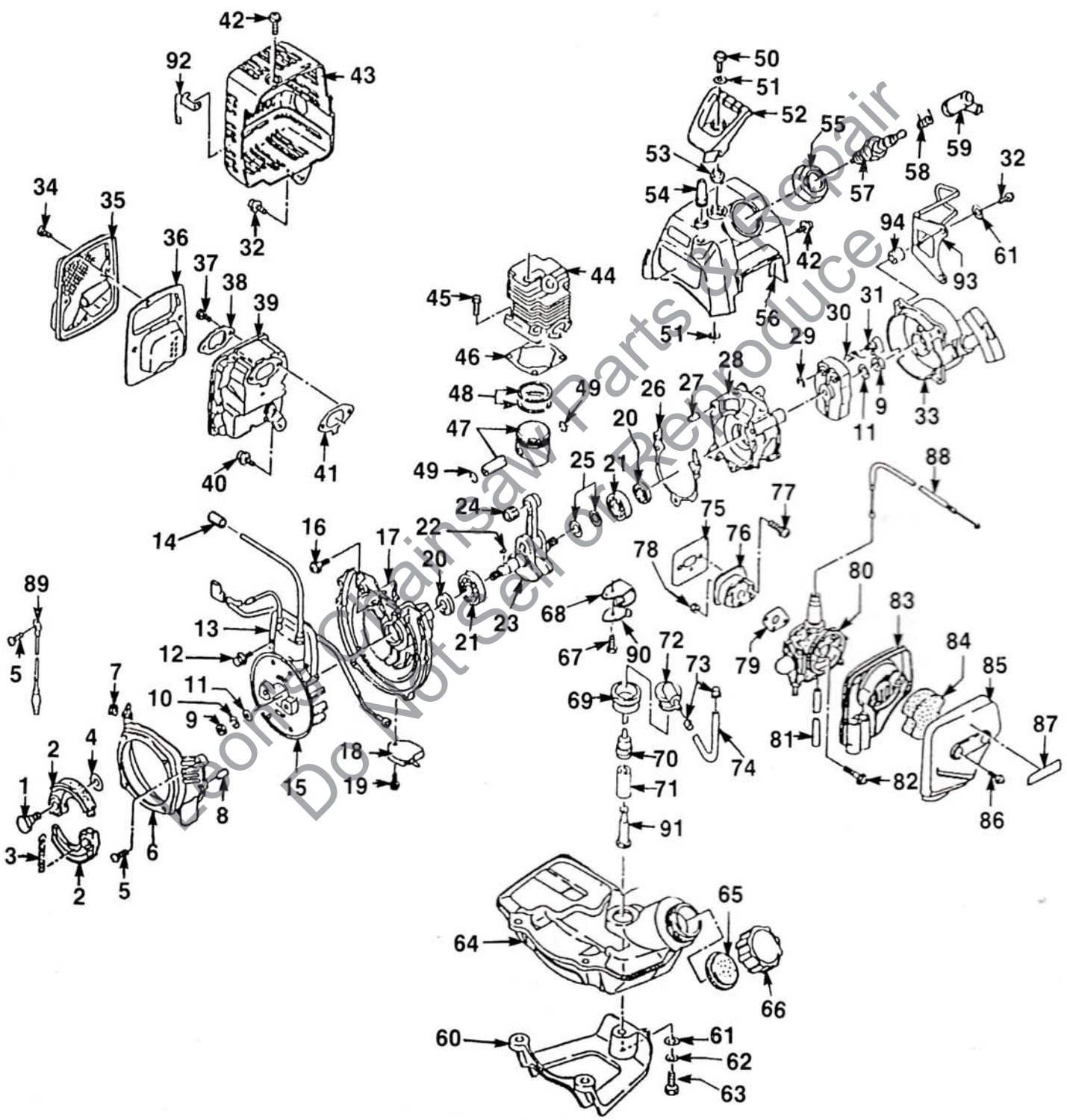
BRUSHCUTTER

HOMELITE **TEXTRON**

Homelite Division of Textron Inc.

HK-30 BRUSHCUTTER

FIGURE 1

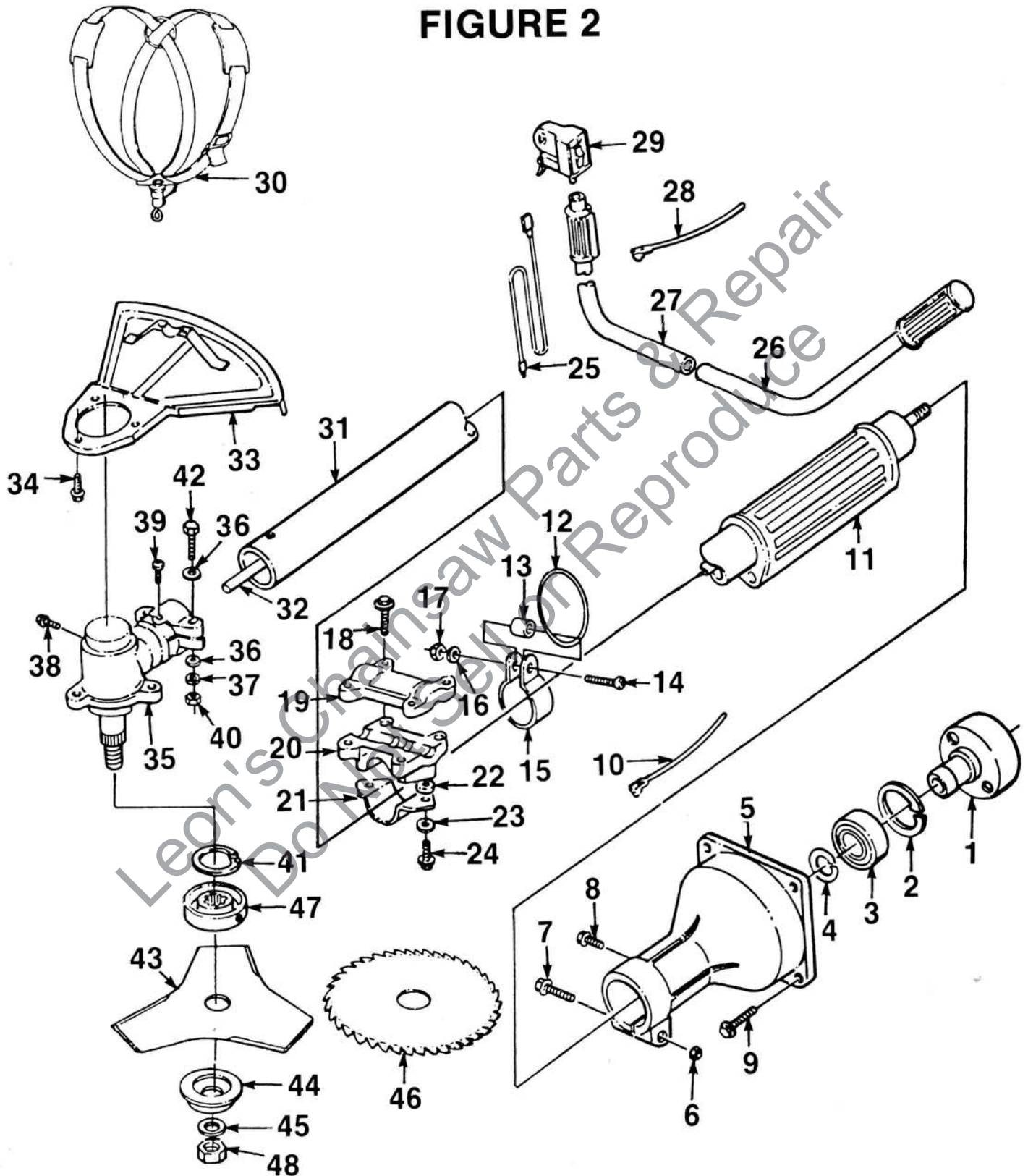


PARTS LIST - FIGURE 1

NO.	PART NO.	DESCRIPTION	QTY.	NO.	PART NO.	DESCRIPTION	QTY.
1	98063-28	PIN- Clutch	2	49	98063-22	RING- Snap	2
2	98063-29	SHOE- Clutch	2	50	00808-41	SCREW	1
3	98063-30	SPRING- Clutch	1	51	00808-45	WASHER	2
4	98063-31	WASHER	2	52	00808-33	GUARD	1
5	00808-62	SCREW (5 x 18)	4	53	00808-48	SPACER	1
6	00808-38	HOUSING- Fan	1	54	00808-52	GROMMET	1
7	00808-86	GROMMET	1	55	00808-24	BOOT	1
8	98060-43	PIN- Dowel	2	56	00808-29	SHROUD	1
9	98060-34	NUT- (8 mm)	2	57	63710-S	SPARK PLUG	1
10	98063-57	WASHER- Spring	1	58	98060-91	SPRING	1
11	98063-27	WASHER	2	59	98060-90	CAP- Plug	1
12	00808-55	BOLT	2	60	00808-23	STAND	1
13	00808-58	COIL- Ignition	1	61	98554-79	WASHER	5
14	00808-50	TUBE	1	62	98554-78	WASHER	3
15	00808-18	FLYWHEEL	1	63	00808-40	BOLT	3
16	98060-45	SCREW	3	64	A-00808-32	TANK- Fuel	1
17	00808-12	CRANKCASE	1			Includes:	
18	00808-19	IGNITER	1	65	98060-67	BREATHER	1
19	98553-62	SCREW (4 x 8)	1	66	98060-66	CAP- Tank	1
20	98063-36	SEAL- Oil	2	67	00808-60	BOLT- (5 x 14)	1
21	98063-35	BEARING- Ball (6201C3)	2	68	00808-22	BRACKET- Tank	1
22	98060-83	KEY	1	69	98552-79	PIPE- Strainer	1
23	A-00808-31	CRANKSHAFT ASSEMBLY	1	70	98060-63	CLIP	1
		Includes:		71	98060-60	ELEMENT	1
24	98063-24	BEARING- Needle	1	72	98552-78	JOINT	1
25	A-98063-25	SHIM ASSEMBLY	1	73	98552-82	CLIP	2
26	00808-04	GASKET	1	74	00808-49	TUBE	1
27	98060-44	PIN- Dowel	2	75	00808-03	GASKET	1
28	00808-13	CRANKCASE	1	76	00808-15	INSULATOR	1
29	98553-02	E-RING	1	77	00808-44	SCREW	2
30	00808-53	SPRING- Recoil	1	78	98060-57	NUT (5 MM)	2
31	00808-11	PAWL- Recoil	1	79	98063-42	GASKET	1
32	00808-42	SCREW	5	80	A-00808-14	CARBURETOR ASSEMBLY	1
33	A-00808-28	RECOIL STARTER ASSEMBLY	1			(See Figure 4)	
		(See Figure 3)		81	00808-51	TUBE	1
34	00808-61	SCREW (5 x 12)	4	82	98060-56	SCREW (5 x 43)	2
35	00808-16	BODY- Muffler	1	83	00808-07	CASE- Air filter	1
36	00808-59	PLATE- Baffle	1	84	98060-06	ELEMENT	1
37	00808-39	BOLT	2	85	00808-08	CAP- Air filter	1
38	00808-46	GASKET- Muffler (Inner)	1	86	00808-64	SCREW- (4 x 25)	2
39	00808-17	BODY- Muffler	1	87	00808-37	LABEL- Warning	1
40	00808-63	SCREW (5 x 14)	1	88	00808-57	CABLE- Throttle	1
41	00808-02	GASKET- Muffler (Outer)	1	89	98063-92	WIRE- Lead	1
42	00808-43	SCREW	2	90	00808-47	WASHER	1
43	00808-30	COVER- Muffler	1	91	98060-62	WEIGHT- Fuel tank	1
44	00808-01	CYLINDER	1	92	00808-81	CLAMP	1
45	00808-54	BOLT	4	93	00808-87	GUARD	1
46	00808-05	GASKET	1	94	00808-88	SPACER	2
47	A-00808-93	PISTON ASSEMBLY	1				
		Includes:					
48	00808-20	PISTON RING SET	1				

HK-30
BRUSHCUTTER

FIGURE 2



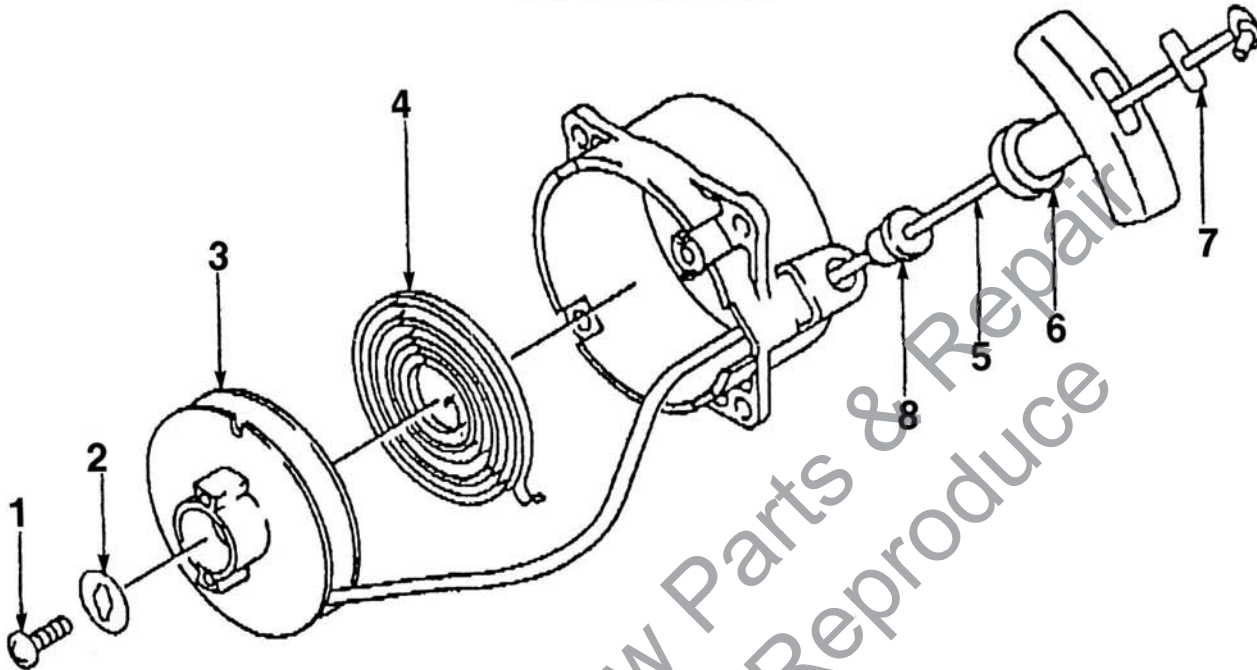
PARTS LIST - FIGURE 2

NO.	PART NO.	DESCRIPTION	QTY.	NO.	PART NO.	DESCRIPTION	QTY.
	A-98063-59	CLUTCH CASE ASSEMBLY	1	30	DA-92703-B	HARNESS	1
		Includes:		31	A-98063-65	PIPE ASSEMBLY	1
1	98063-61	DRUM- Clutch	1	32	98063-66	DRIVESHAFT	1
2	98063-64	RING- Stop	1	33	98063-75	SHIELD	1
3	98063-62	BEARING- Ball	1	34	98551-20	SCREW	3
4	98063-63	RING- Stop	1	35	A-98061-67	GEAR CASE ASSEMBLY	1
5	98063-60	CASE- Clutch	1			Includes:	
6	98061-58	NUT	1	36	98550-80	WASHER- Flat	4
7	98061-57	BOLT	1	37	98551-12	WASHER- Spring	2
8	98550-78	SCREW	1	38	98551-15	SCREW	1
9	98550-81	BOLT	4	39	98551-14	SCREW	1
10	98063-78	BAND- Plate (L)	1	40	98551-13	NUT	2
11	98061-61	GRIP	1	41	98061-56	RING- Stop	1
12	98550-87	RING- Hanger	1	42	98551-10	BOLT	2
13	98550-88	SPACER	1	43	A-98717-A	TRI-ARC BLADE	1
14	98551-30	SCREW	1	44	00436-07	FLANGE- Lower	1
15	98061-62	HANGER	1	45	98551-23	WASHER- Special	1
16	98551-12	WASHER- Spring	1	46	98066-39	BLADE- 50 Tooth	1
17	98551-13	NUT	1	47	00436-06	FLANGE- Upper	1
18	98061-50	BOLT	4	48	98551-24	NUT- Blade	1
19	98063-71	BRACKET- Top	1		98065-14	TOOL SET (Not Shown)	1
20	98063-72	BRACKET- Upper	1		A-98059	ROTOR PULLER (Not Shown)	1
21	98061-65	BRACKET- Lower	1		A-00434	STRINGHEAD KIT (Optional)	1
22	98064-08	COLLAR- Bracket	2			Includes:	
23	98064-09	WASHER- Flat	2		00490	CONNECTOR- Drive	1
24	98064-10	BOLT	2		98551-19	COVER	1
25	98063-68	WIRE- Lead	1		98551-20	SCREW	3
26	98063-70	HANDLE- Left	1		98551-16	SHIELD	1
27	98063-69	HANDLE- Right	1		98551-17	STAY	2
28	98063-73	BAND- Plastic (s)	1		98551-18	BOLT	2
29	98063-67	LEVER- Throttle	1				

Leon's Chainsaw Parts & Products
Do Not Sell or Reproduce

**HK-30
BRUSHCUTTER**

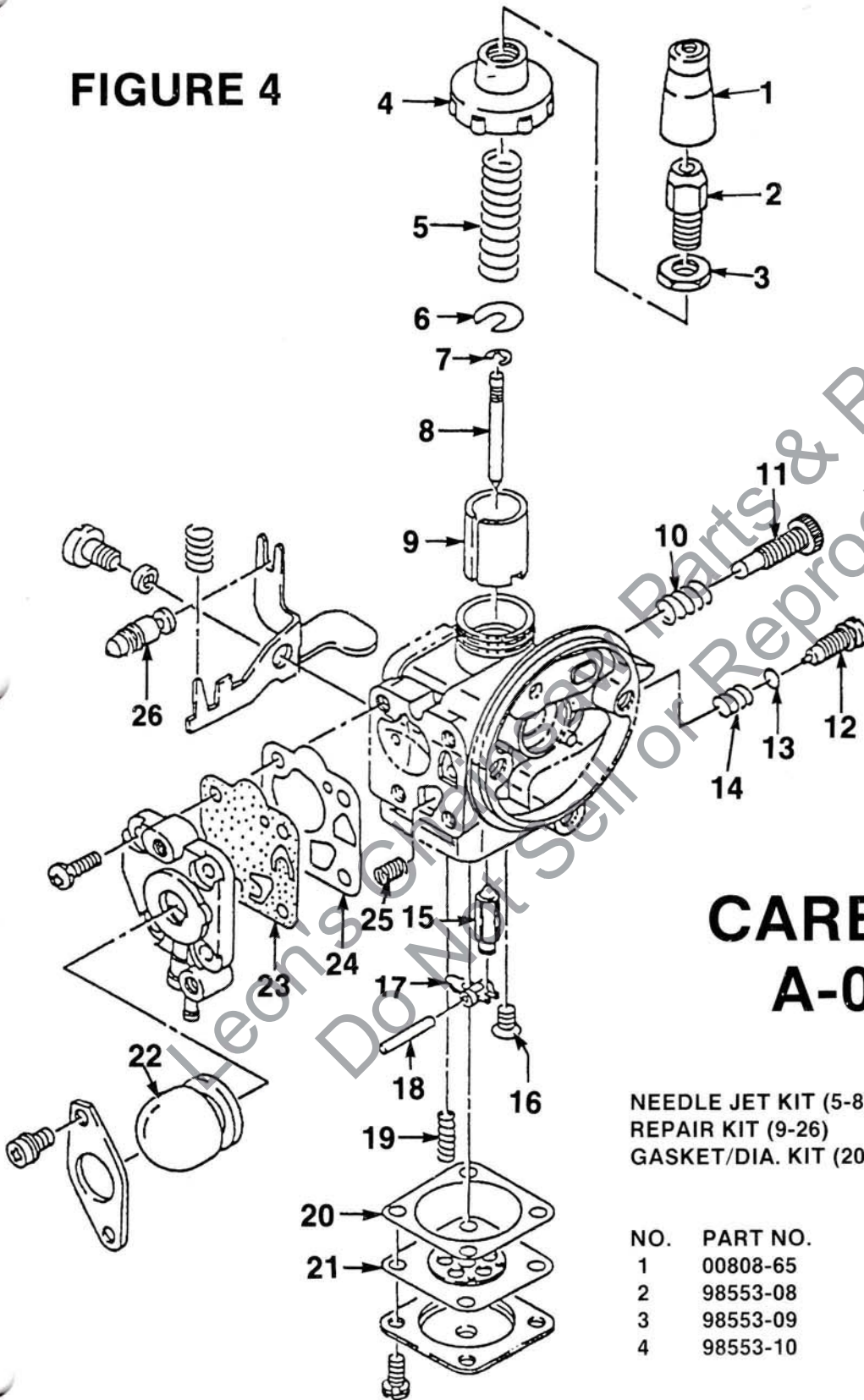
FIGURE 3



PARTS LIST - FIGURE 3

NO.	PART NO.	DESCRIPTION	QTY.
	A-00808-28	RECOIL STARTER ASSEMBLY	1
		Includes:	
1	00808-78	SCREW	1
2	00808-79	WASHER	1
3	00808-76	REEL- Recoil	1
4	00808-80	SPRING- Spiral	1
5	00808-77	ROPE (3.5 x 850)	1
6	98061-10	HANDLE- Recoil	1
7	98553-31	PLATE	1
8	00808-73	GUIDE- Rope	1

FIGURE 4



**CARBURETOR
A-00808-14**

NEEDLE JET KIT (5-8)
REPAIR KIT (9-26)
GASKET/DIA. KIT (20-24)

A-00808-27
A-00808-21
A-00808-67

NO.	PART NO.	DESCRIPTION	QTY.
1	00808-65	CAP	1
2	98553-08	CABLE- Adj.	1
3	98553-09	NUT- Lock	1
4	98553-10	CAP- Carb. body	1

HEADQUARTERS

HOMELITE DIVISION OF TEXTRON INC.

P.O. BOX 7047
14401 CAROWINDS BOULEVARD
CHARLOTTE, N.C. 28241

OVERSEAS OFFICES

HOMELITE TEXTRON

Une Division de Textron Atlantic S.A.R.L.
B.P. 7011
95050 Cergy-Pontoise Cedex
France

HOMELITE DIVISION OF TEXTRON INC.

Pacific Limited
P.O. BOX 209
Blackburn, 3130
Victoria, Australia

HOMELITE DIVISION OF TEXTRON INC.

Korenaarstraat 1
2153 BM Nieuw Vennep
The Netherlands

HOMELITE DIVISION OF TEXTRON LTD.

Unit 22, Hither Trading Estate
Clevedon, Avon, U.K. BS21 6XU

CANADIAN OFFICES

HOMELITE

DIVISION OF TEXTRON CANADA LIMITED

1850 55th Avenue
Lachine, Quebec, Canada
H8T 3J5

3260 Viking Way
Richmond, British Columbia
V6V 1N6

16520, 111th Avenue
Edmonton, Alberta
T5M 3V8

HOMELITE

DIVISION DE TEXTRON CANADA LIMITÉE

1850 55e av.
Lachine, Québec, Canada
H8T 3J5

37 Densley Avenue
Toronto, Ontario
M6M 2P5

45 Brandon Street
Moncton, New Brunswick
E1C 7E7

HOMELITE **TEXTRON**

Homelite Division of Textron Inc.