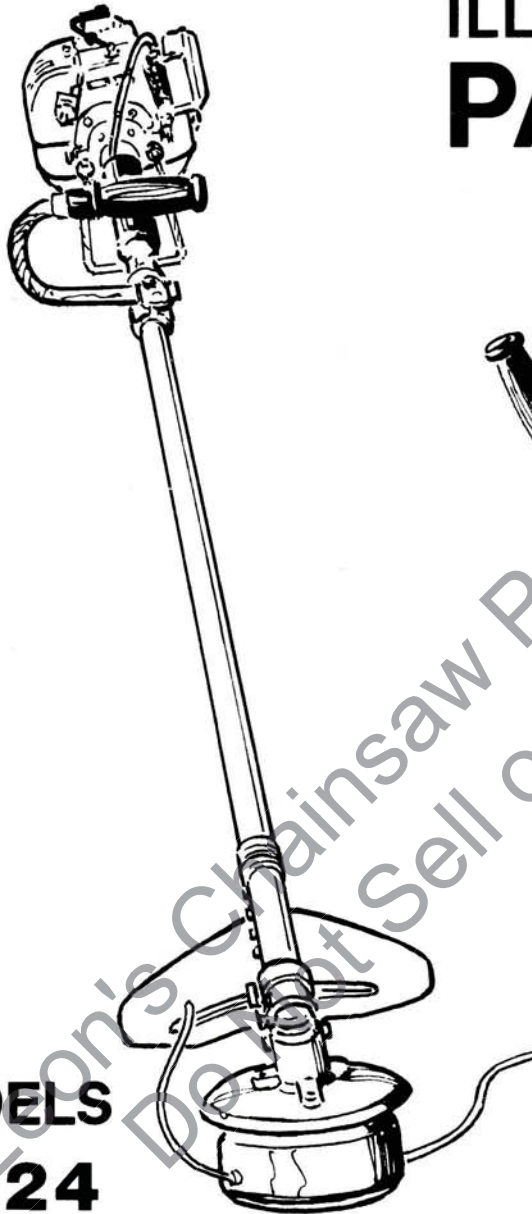


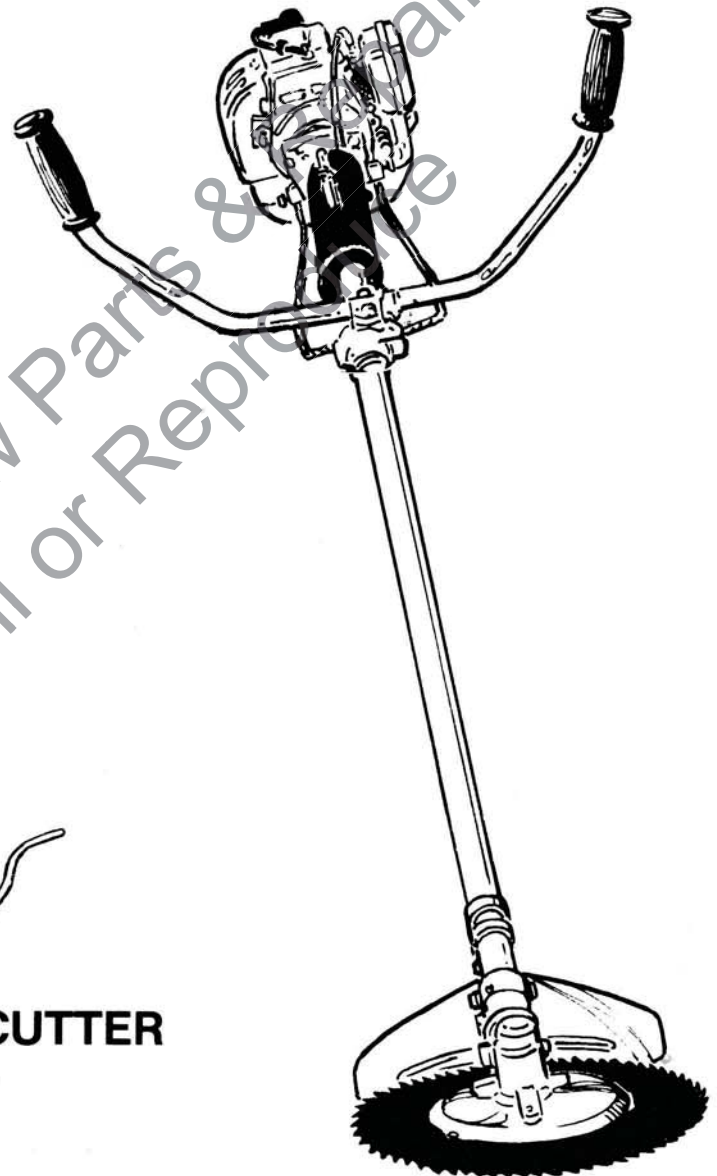
**HOMELITE<sup>®</sup>**  
**JACOBSEN**

PART NUMBER 17897  
PRINTED IN U.S.A.  
PRICE 35¢

# ILLUSTRATED PARTS LIST



**MODELS**  
**HK-24**  
STRING TRIMMER/BRUSHCUTTER  
UT-18001



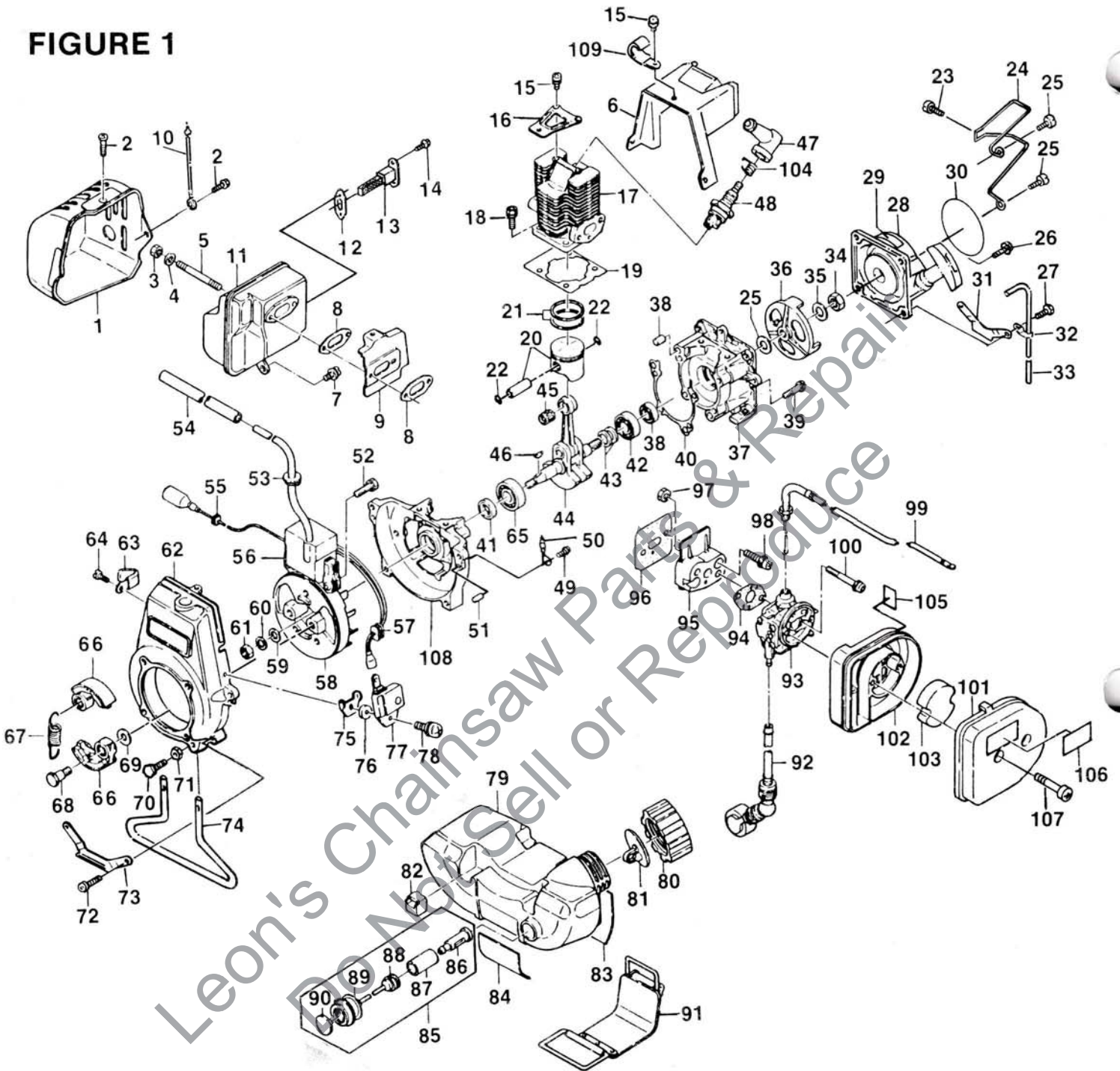
**HK-33**  
BRUSHCUTTER  
UT-18002

**AND**

FOR MODELS RELEASED AFTER JAN. 1, 1986

# HK-24/HK-33

## FIGURE 1



NO.	PART NO.	DESCRIPTION	HK-24	HK-33
1	98062-73	COVER- Muffler	1	
	98063-88	COVER- Muffler		1
2	98063-09	SCREW (M5 x 10)	1	1
3	98060-16	NUT	2	2
4	98060-17	WASHER	2	2
5	98060-15	STUD	2	
	98063-07	STUD		2
6	98062-78	COVER- Cylinder	1	
	98063-94	COVER- Cylinder		1
7	98060-13	SCREW (5 x 12)	1	1
8	98060-14	GASKET	2	
	98063-11	GASKET		2

NO.	PART NO.	DESCRIPTION	HK-24	HK-33
9	98060-11	COVER- Muffler	1	
	98063-10	COVER- Muffler		1
10	98063-92	WIRE- Lead		1
11	A-98062-69	MUFFLER- Complete	1	
	A-98063-87	MUFFLER- Complete		1
		Includes:		
12	98062-71	GASKET- Arrestor	1	1
13	98062-70	SPARK ARRESTOR	1	1
14	98062-72	SCREW	2	2
15	98060-22	SCREW (4 x 10)	4	4
16	98060-21	STAY	1	
	98063-18	STAY		1

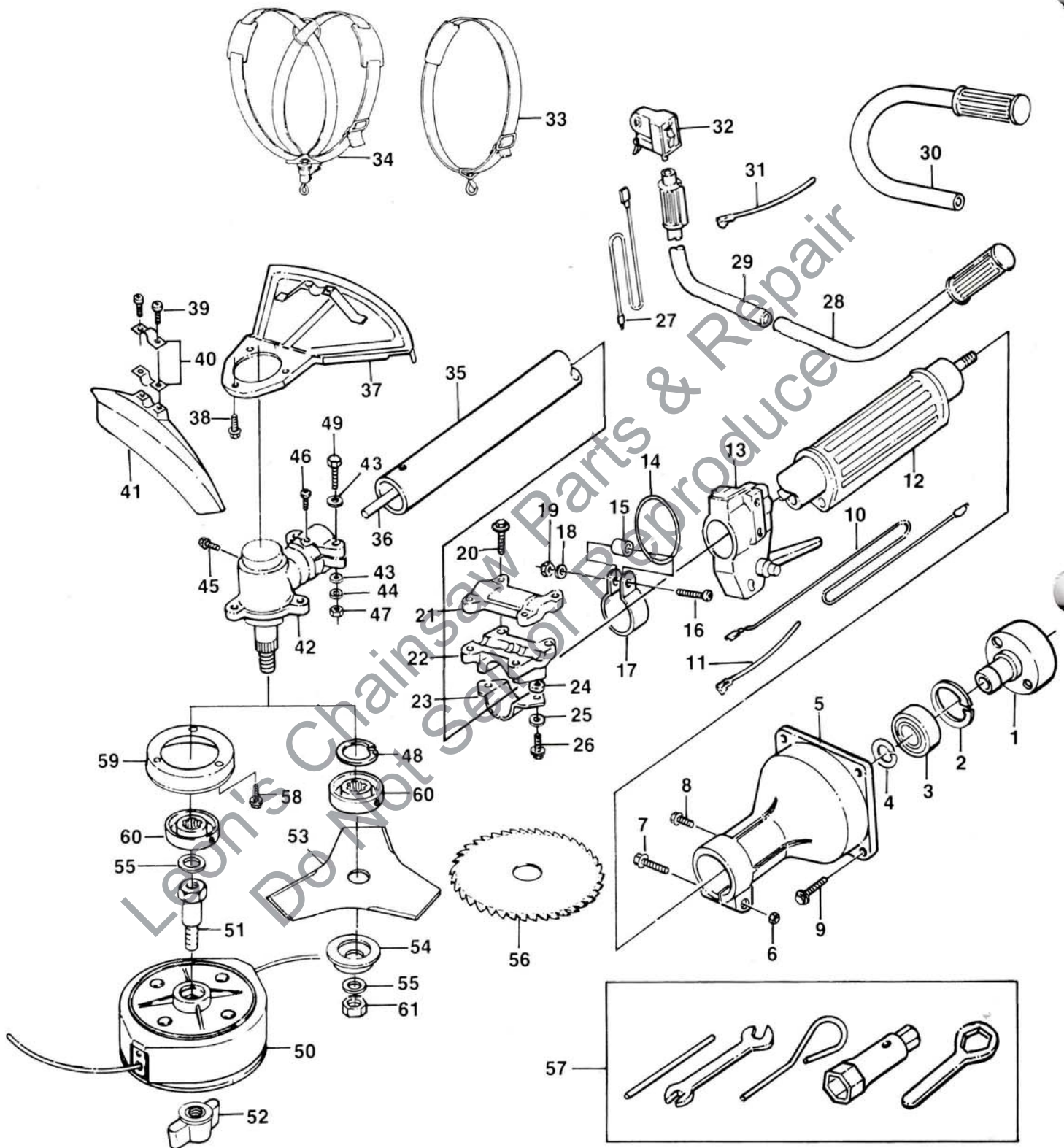
NO.	PART NO.	DESCRIPTION	HK-24	HK-33
17	98060-01	CYLINDER	1	
	98063-01	CYLINDER		1
18	98060-03	BOLT	4	4
19	98060-02	GASKET	1	
	98063-02	GASKET		1
20	A-98063-55	PISTON ASSEMBLY	1	
	A-98063-56	PISTON ASSEMBLY		1
		Includes:		
21	98060-24	PISTON RING SET	1	
	98063-20	PISTON RING SET		1
22	98060-26	RING- Snap	2	
	98063-22	RING- Snap		2
23	98062-75	SCREW- (M5 x 10)	1	1
24	98062-74	GUARD- Muffler	1	
	98063-89	GUARD- Muffler		1
25	98062-85	SCREW (M5 x 20)	2	2
26	98063-26	SCREW (M5 x 16)	1	1
27	98062-84	SCREW (M5 x 16)	1	1
28	A-98060-30	RECOIL STARTER ASSY. (See Fig. 3 for b'down)	1	1
29	98126	LABEL	1	1
30	98113	LABEL- Brand	1	
	98119	LABEL- Brand		1
31	98060-68	BRACKET- Tank	1	
	98063-49	BRACKET- Tank		1
32	98060-75	CLAMP	1	1
33	98060-74	TUBE	1	1
34	98060-34	NUT- (M8 mm)	1	1
35	98060-35	WASHER	2	
	98063-27	WASHER		1
36	98060-31	PULLEY	1	1
37	98060-41	CRANKCASE	1	
	98063-33	CRANKCASE		1
38	98060-44	PIN- Dowel	1	1
39	98060-45	SCREW	4	4
40	98060-42	GASKET	1	
	98063-34	GASKET		1
41	98060-48	SEAL- Oil	2	
	98063-36	SEAL- Oil		2
42	98060-47	BEARING- Ball (6000C3)	1	
	98063-35	BEARING- Ball (6201C3)		1
43	A-98060-29	SHIM ASSEMBLY	1	
	A-98063-25	SHIM ASSEMBLY		1
44	98060-27	CRANKSHAFT	1	
	98063-23	CRANKSHAFT		1
		Includes:		
45	98060-28	NEEDLE BEARING	1	
	98063-24	NEEDLE BEARING		1
46	98060-83	KEY	1	1
47	98060-90	CAP- Plug	1	1
48	63710-S	SPARK PLUG (C-J8)	1	1
49	98060-13	SCREW (5 x 12)		1
50	98063-14	COVER		1
51	98060-43	PIN- Dowel	2	2
52	98060-79	BOLT (5 x 20)	2	2
53	98060-84	GROMMET	1	1
54	98060-93	TUBE	1	
	98063-58	TUBE		1
55	98060-85	GROMMET	1	1
56	98060-77	COIL- Ignition	1	
	98063-54	COIL- Ignition		1
57	98060-86	GROMMET	1	1
58	98060-76	FLYWHEEL	1	
	98063-53	FLYWHEEL		1
59	98060-81	WASHER (M-6)	1	
	98063-27	WASHER		1
60	98060-82	WASHER- Spring	1	
	98063-57	WASHER- Spring		1
61	98060-80	NUT (6 mm)	1	
	98060-34	NUT (8 mm)		1
62	98062-77	HOUSING- Fan	1	
	98063-93	HOUSING- Fan		1

NO.	PART NO.	DESCRIPTION	HK-24	HK-33
63	98060-96	CLAMP	1	1
64	98060-97	SCREW (M4 x 6)	1	1
65	98060-46	BEARING- Ball (6200C3)	1	
	98063-35	BEARING- Ball (6201C3)		1
66	98060-37	SHOE- Clutch	2	
	98063-29	SHOE- Clutch		2
67	98060-38	SPRING- Clutch	1	
	98063-30	SPRING- Clutch		1
68	98060-36	PIN- Clutch	2	
	98063-28	PIN- Clutch		2
69	98060-39	WASHER	1	
	98063-31	WASHER		1
70	98062-81	BOLT (M5 x 14)	2	2
71	98062-82	NUT (5 mm)	2	2
72	98060-19	SCREW (M5 x 20)	4	4
73	98060-69	BRACKET- Tank	1	
	98063-97	BRACKET- Tank		1
74	98062-80	STAND	1	
	98063-96	STAND		1
75	98060-87	BRACKET	1	1
76	98060-88	COLLAR	1	1
77	98060-78	IGNITER	1	1
78	98060-89	SCREW (4 x 14)	1	1
79	A-98060-65	TANK- Fuel	1	
	A-98063-47	TANK- Fuel		1
		Includes:		
80	98060-66	CAP- Tank	1	1
81	98060-67	BREATHER	1	1
82	98060-70	DAMPER	4	4
83	98060-72	DAMPER	1	1
84	98060-73	DAMPER	1	
	98063-52	DAMPER		1
85	A-98060-59	FUEL STRAINER ASSEMBLY	1	1
		Includes:		
86	98060-62	WEIGHT- Tank	1	1
87	98060-60	ELEMENT	1	1
88	98060-63	CLIP	1	1
89	98060-64	PIPE- Strainer	1	1
90	98060-61	ELEMENT	1	1
91	98060-71	BAND- Tank	1	
	98063-51	BAND- Tank		1
92	98060-58	PUMP- Priming	1	
	98063-44	PUMP- Priming		1
93	A-98061-92	CARBURETOR ASSEMBLY (See Fig. 4 for b'down)	1	
	A-98063-90	CARBURETOR ASSEMBLY (See Fig 4 for b'down)		1
94	98063-42	GASKET	1	1
95	98060-52	INSULATOR	1	
	98063-40	INSULATOR		1
96	98060-53	GASKET	1	
	98063-41	GASKET		1
97	98060-57	NUT	2	2
98	98060-55	SCREW	2	2
99	98062-79	CABLE- Throttle	1	
	98063-95	CABLE- Throttle		1
100	98060-56	SCREW (5 x 43)	2	2
101	98062-68	CAP- Air cleaner	1	
	98063-86	CAP- Air cleaner		1
102	98062-67	CASE- Air cleaner	1	
	98063-85	CASE- Air Cleaner		1
103	98060-06	ELEMENT	1	1
104	98060-91	SPRING	1	1
105	98127	LABEL	1	1
106	98125	LABEL	1	1
107	98060-08	SCREW (4 x 32)	2	2
108	98060-40	CASE- Crank	1	
	98063-32	Case- Crank		1
109	98060-92	CLAMP	1	1

ALWAYS FURNISH MODEL AND SERIAL NUMBERS WHEN ORDERING PARTS.

# HK-24/HK-33

## FIGURE 2



ALWAYS FURNISH MODEL AND SERIAL NUMBERS WHEN ORDERING PARTS.

FIGURE 2

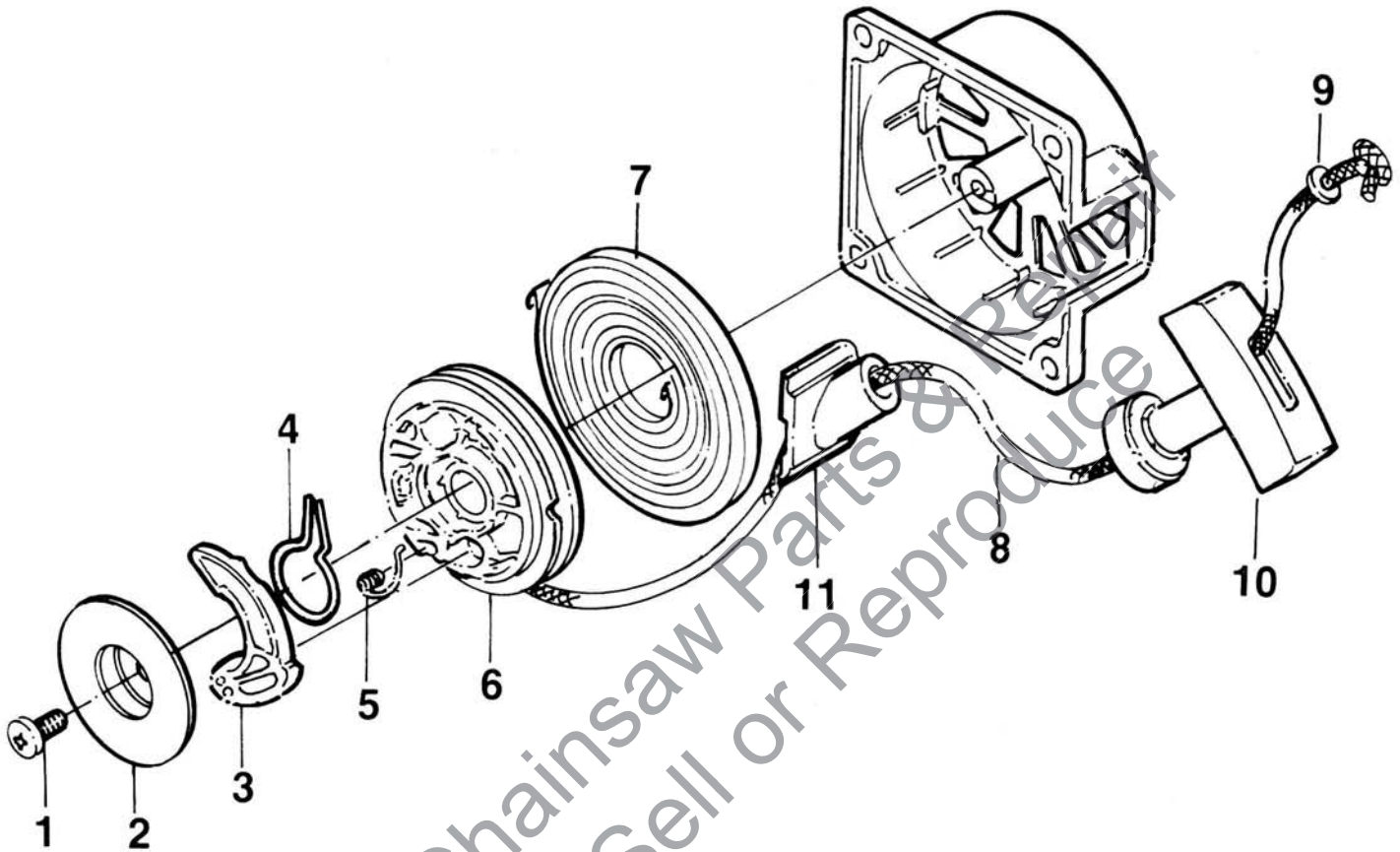
NO.	PART NO.	DESCRIPTION	HK-24	HK-33
	A-98061-93	CLUTCH CASE ASSEMBLY	1	
	A-98063-59	CLUTCH CASE ASSEMBLY		1
		Includes:		
1	98061-94	DRUM- Clutch	1	
	98063-61	DRUM- Clutch		1
2	98061-56	RING- Stop	1	
	98063-64	RING- Stop		1
3	98061-55	BEARING- Ball	1	
	98063-62	BEARING- Ball		1
4	98550-76	RING- Stop	1	
	98063-63	RING- Stop		1
5	98061-54	CASE- Clutch	1	
	98063-60	CASE- Clutch		1
6	98061-58	NUT	1	1
7	98061-57	BOLT	1	1
8	98550-78	SCREW	1	1
9	98550-81	BOLT	4	4
10	98061-64	WIRE- Lead	1	
11	98063-78	BAND- Plastic (L)		1
12	98061-61	GRIP	1	1
13	98061-63	LEVER- Throttle	1	
14	98550-87	RING- Hanger	1	1
15	98550-88	SPACER	1	1
16	98551-30	SCREW	1	1
17	98061-62	HANGER	1	1
18	98551-12	WASHER- Spring	1	1
19	98551-13	NUT	1	1
20	98550-81	BOLT	2	2
	98061-50	BOLT		4
21	98550-92	BRACKET- Top	1	
	98063-71	BRACKET- Top		1
22	98550-93	BRACKET- Upper	1	
	98063-72	BRACKET- Upper		1
23	98061-65	BRACKET- Lower	1	1
24	98064-08	COLLAR- Bracket	2	
25	98064-09	WASHER- Flat	2	2
26	98550-81	BOLT	2	
	98064-10	BOLT		2
27	98063-68	WIRE- Lead	1	
28	98063-70	HANDLE- Left	1	
29	98063-69	HANDLE- Right	1	1
30	98550-91	U-HANDLE	1	
31	98063-73	BAND- Plastic (S)		1
32	98063-67	LEVER- Throttle	1	1
33	DA-92703	HARNESS	1	
34	A-50730-B	HARNESS		1
35	A-98061-59	PIPE ASSEMBLY	1	

NO.	PART NO.	DESCRIPTION	HK-24	HK-33
	A-98063-65	PIPE ASSEMBLY		1
36	98061-60	DRIVESHAFT	1	
	98063-66	DRIVESHAFT		1
37	98063-75	SHIELD		1
38	98551-20	SCREW		3
39	98551-18	BOLT	2	
40	98551-17	STAY	2	
41	98551-16	SHIELD	1	
42	A-98061-67	GEAR CASE ASSEMBLY	1	1
		Includes:		
43	98550-80	WASHER- Flat	4	4
44	98551-12	WASHER- Spring	2	2
45	98551-15	SCREW	1	1
46	98551-14	SCREW	1	1
47	98551-13	NUT	2	2
48	98061-56	RING- Stop	1	1
49	98551-10	BOLT	2	2
50	A-98551-36	STRING HEAD ASSEMBLY	1	
		Includes:		
51	98551-25	BOLT- Shaft	1	
52	98062-62	KNOB	1	
53	A-98717	TRI-ARC BLADE	1	1
54	98061-76	FLANGE- Lower	1	1
55	98551-23	WASHER- Special	1	1
56	98065-39	BLADE- 50 Tooth		1
57	A-98551-28	TOOL SET	1	1
58	98551-20	SCREW	3	
59	98551-19	COVER	1	
60	98061-75	FLANGE- Upper	1	1
61	98551-24	BLADE NUT	1	1
	A-98061-82	STRINGHEAD KIT (optional)		1
		Includes:		
	98551-16	DEFLECTOR		1
	98551-17	STAY- Deflector		2
	98551-18	SCREW- Deflector		2
	A-98551-36	STRINGHEAD		1
		Includes:		
	98551-25	BOLT- Shaft		1
	98062-62	KNOB		1
	A-98064-07	SAW BLADE KIT (optional)		1
		Includes:		
	98065-39	BLADE- 50 Tooth		1
	98063-75	SHIELD		1
	98551-10	BOLT		2
	98551-13	NUT		2
	98550-80	WASHER- Flat		4
	98551-12	WASHER- Lock		2

ALWAYS FURNISH MODEL AND SERIAL NUMBERS WHEN ORDERING PARTS.

# HK-24/HK-33

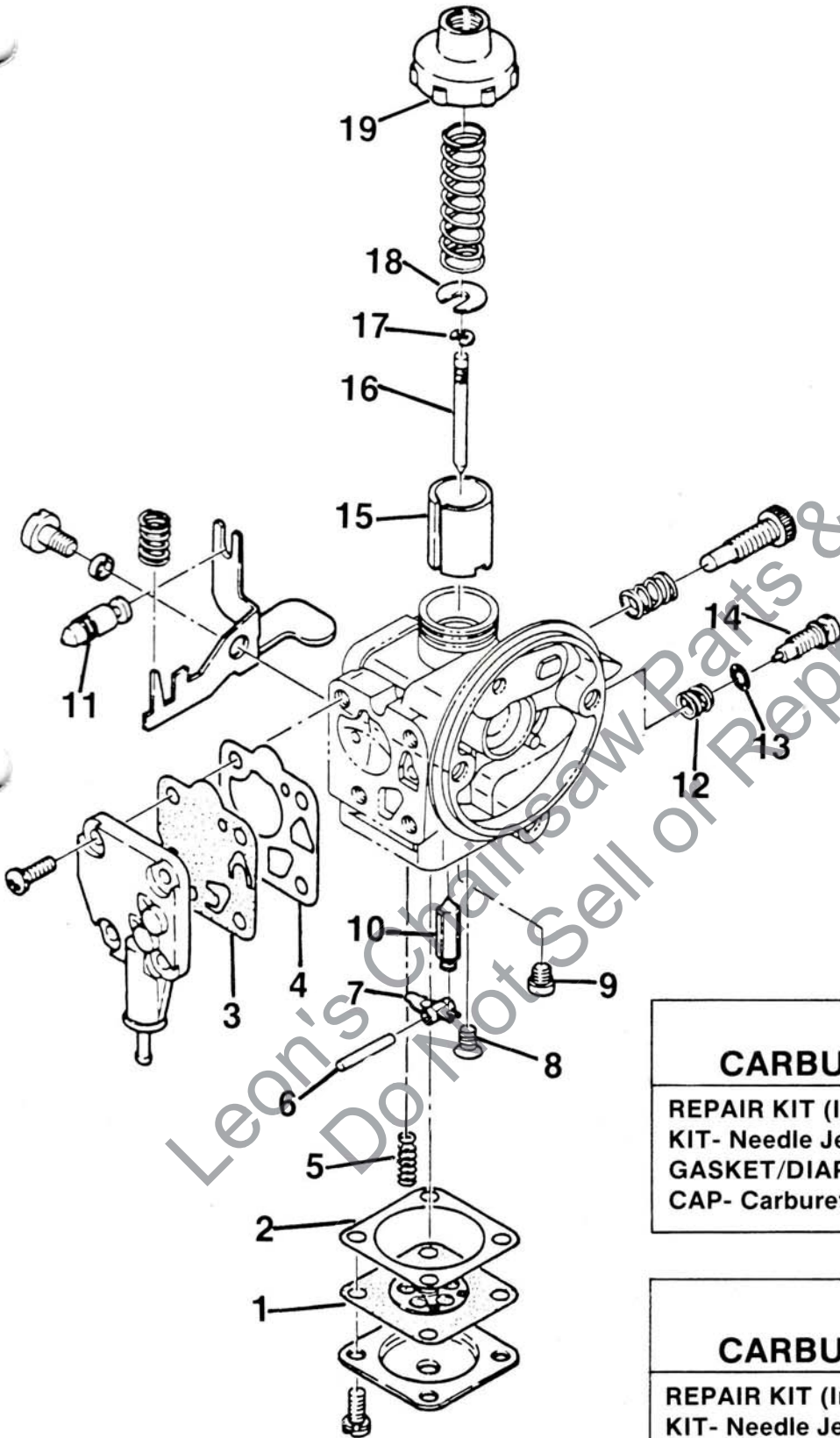
## FIGURE 3



NO.	PART NO.	DESCRIPTION	QTY.
	A-98060-30	RECOIL STARTER ASSEMBLY	1
		Includes:	
1	98061-01	SCREW	1
2	98064-01	RETAINER	1
3	98061-03	PAWL- Recoil	1
4	98061-04	SPRING	1
5	98061-05	SPRING- Rewind	1
6	98553-43	REEL- Recoil	1
7	98061-07	SPRING- Spiral	1
8	98061-08	ROPE (3,8 x 890)	1
9	98061-09	WASHER	1
10	98061-10	HANDLE- Recoil starter	1
11	98061-11	GUIDE- Rope	1

ALWAYS FURNISH MODEL AND SERIAL NUMBERS WHEN ORDERING PARTS.

FIGURE 4



<b>HK-24 CARBURETOR — A-98061-92</b>	
REPAIR KIT (Incl. 1-15)	A-98062-89
KIT- Needle Jet (Incl. 16-18)	A-98062-88
GASKET/DIAPHRAGM KIT (1-4)	A-98064-11
CAP- Carburetor body (#19)	98061-12

<b>HK-33 CARBURETOR — A-98063-90</b>	
REPAIR KIT (Incl. 1-15)	A-98062-89
KIT- Needle Jet (Incl. 16-18)	A-98064-12
GASKET/DIAPHRAGM KIT (1-4)	A-98064-11
CAP- Carburetor body (#19)	98061-12

ALWAYS FURNISH MODEL AND SERIAL NUMBERS WHEN ORDERING PARTS.

**HOMELITE DIVISION OF TEXTRON INC.**

P.O. BOX 7047  
14401 CAROWINDS BOULEVARD  
CHARLOTTE, N.C. 28217

**OVERSEAS OFFICES**

**HOMELITE DIVISION OF TEXTRON INC.**

Koreenaarstraat 1  
2153 BM Nieuw Vennepe  
The Netherlands

**HOMELITE DIVISION OF TEXTRON INC.**

Pacific Limited  
P.O. BOX 209  
Blackburn, 3130  
Victoria, Australia

Leon's Chainsaw Parts & Repair  
Do Not Sell or Reproduce

0683PY

**HOMELITE** **TEXTRON**

Homelite Division of Textron Inc.