

Homelite®

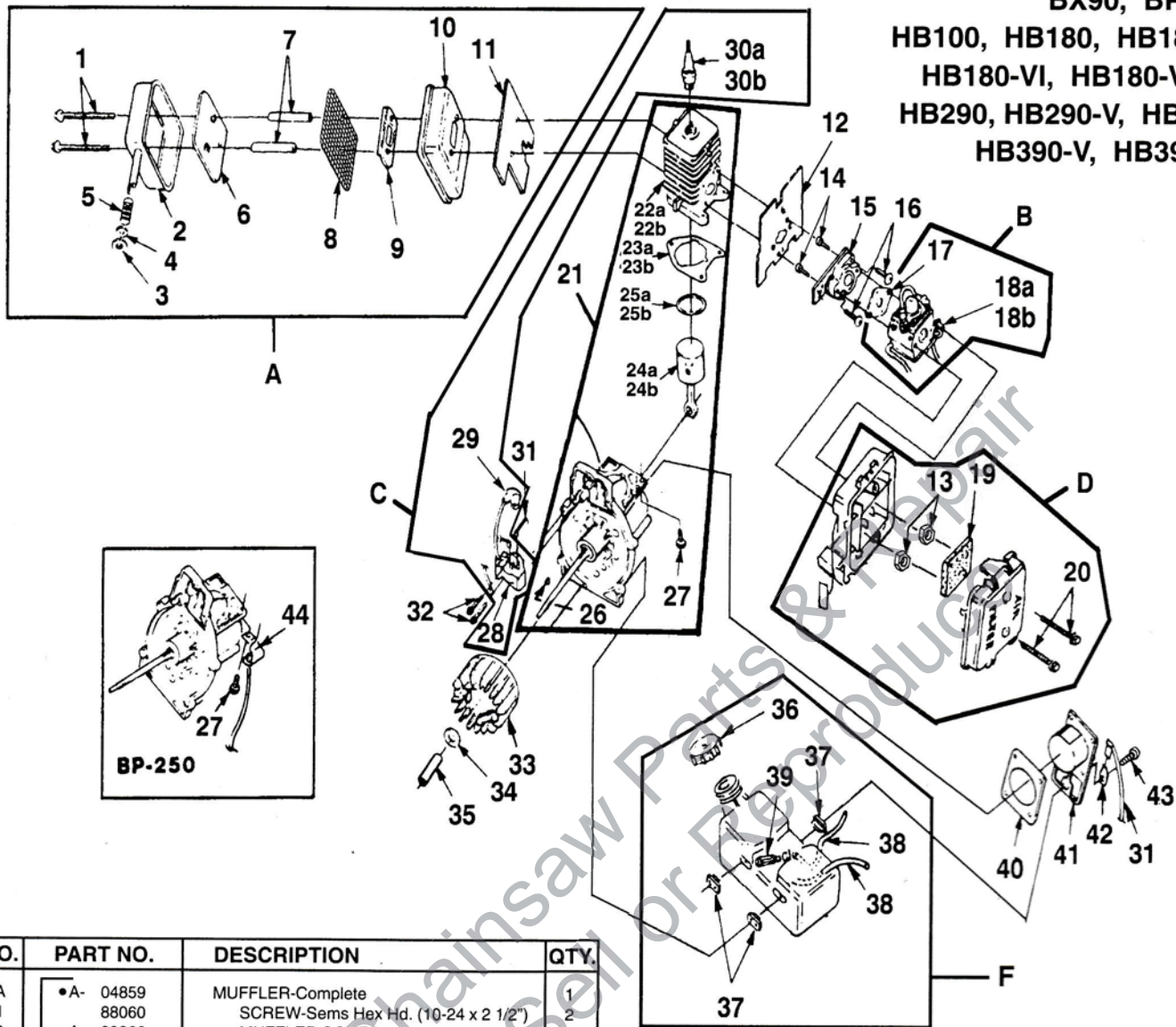
- GB** PARTS LIST
- F** LISTE DE PIÈCES
- NL** ONDERDELENLIJST
- D** TEILELISTE
- I** ELENCO DEI PEZZI
- E** LISTA DE PIEZAS
- P** LISTA DE PEÇAS

HB100	UT08011-D, E, F
HB180	UT08009-C, D, E, F
HB180-V	UT08010-C, D, E, F
HB180-VI	UT08016-D, E, F, G
HB180-VGK	UT08038-A, B, C
BP250	UT08017-D, E, F, G
BX90	UT08026-A, B, C, D
HB290	UT08037-A, B
HB290-V	UT08041, A
HB390	UT08023-A, B, C, D
HB390-V	UT08024-A, B, C, D
HB390-V	UT08031-A, B, C
HB390-VI	UT08027-A, B, C, D

Printed in U.S.A.
Imprimé aux. E.-U.
Gedruckt in de V.S.
Gedruckt in den U.S.A.
Stampato negli Stati Uniti
Impreso en EE. UU.
Impreso nos E.U.A.

P/N 18811-B

BX90, BP250,
 HB100, HB180, HB180-V,
 HB180-VI, HB180-VGK,
 HB290, HB290-V, HB390,
 HB390-V, HB390-VI



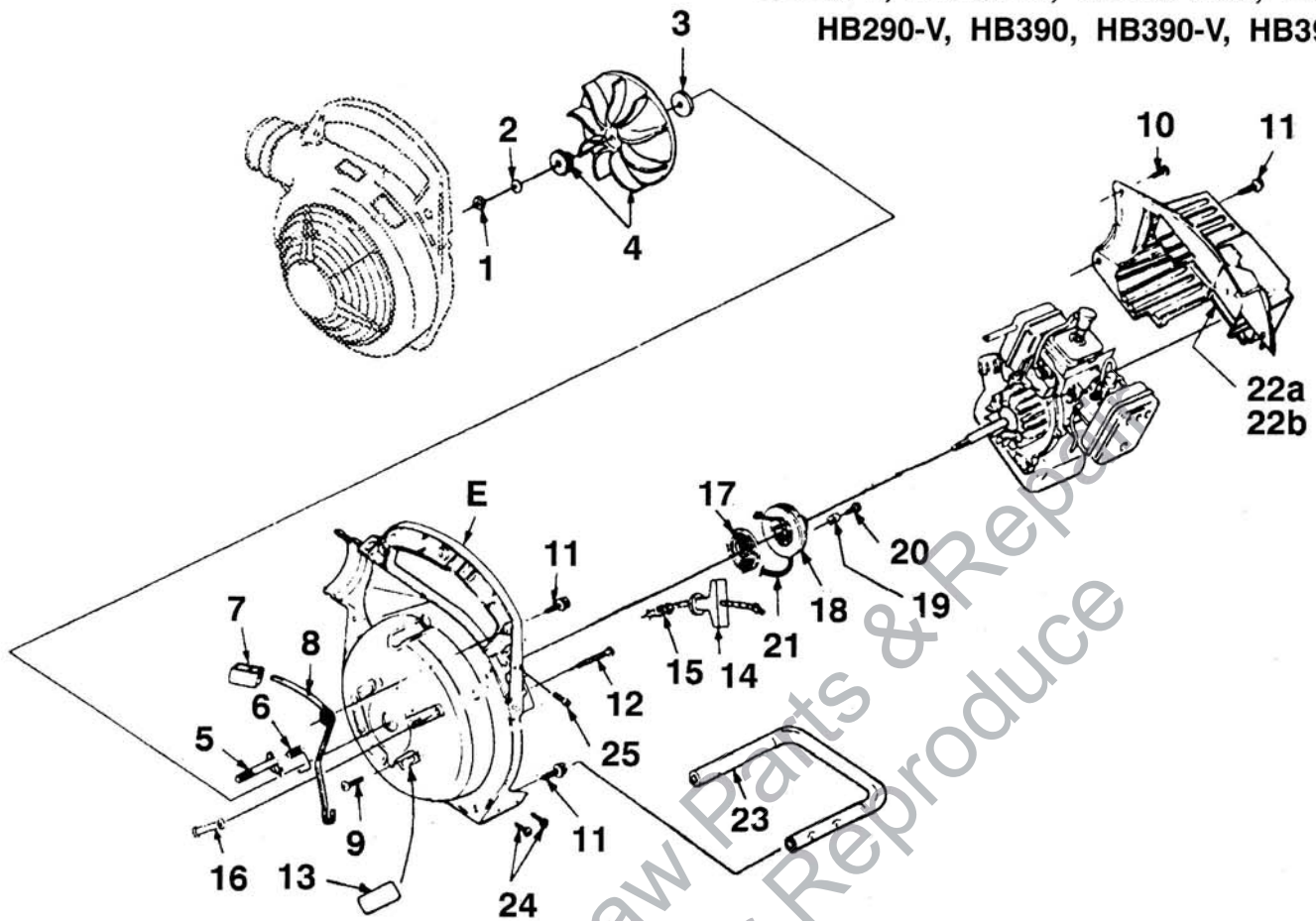
NO.	PART NO.	DESCRIPTION	QTY.
A	•A- 04859	MUFFLER-Complete	1
1	88060	SCREW-Sems Hex Hd. (10-24 x 2 1/2")	2
2	A- 00366	MUFFLER COVER	1
3	00381	WASHER-Insulating	1
4	84117	WASHER-Flat	1
5	00387	SPRING-Compression	1
6	00777	DEFLECTOR-Muffler	1
7	* 04785	SPACER-Muffler	1
8	* 00388-B	SCREEN-Spark Arrestor	1
9	98783	PLATE-Reinforcing	1
10	* 04710	BODY-Muffler	1
11	* 00394-A	GASKET-Muffler	1
12	* 00775-A	GASKET-Heat Dam	1
13	81208	NUT-Hex (10-24)	2
14	04474	SCREW-Machine Hex Hd. (10-24 x 2 1/4")	2
15	98768	HEAT DAM	1
16	82549-1	SCREW-Thread Form. (10-24 x 1")	2
B	•A- 06805-A	CARBURETOR KIT	1
17	98766-1	GASKET-Carburetor	1
18a	A- 01768	CARBURETOR (ZAMA C1U-H13) (BP250)	1
18b	A- 01769-A	CARBURETOR (WALBRO WT-19) (BP250)	1
D	•A- 06755	AIR FILTER KIT	1
19	A- 06756	AIR FILTER	1
20	82563	SCREW-Thread Forming (#8-16 x 5/8")	2
21	•A- 04988	REPOWER SHORT BLOCK	1
22a	•A- 04740-C	30 CC CYLINDER	1
23a	•A- 04388-B	GASKET-Cylinder	1
24a	•A- 03599	30 CC PISTON & ROD	1
25a	03179	RING-Piston**	2
26	69250	KEY-Woodruff	1
27	82568	SCREW-Mach. Pan Hd. (10-24 x 3/4")	3
22b	•A- 04723	25 CC CYLINDER KIT	1
23b	04388	GASKET-Cylinder	1
24b	•A- 04258	25 CC PISTON & ROD	1
25b	96935	RING-Piston	1

NO.	PART NO.	DESCRIPTION	QTY.
C	•A- 04446	IGNITION KIT	1
28	94711-CS	MODULE-Ignition	1
29	A- 33055	TERMINAL-Hi-Tension	1
30a	96169-S	SPARK PLUG (DJ-7Y)	1
28	• 94711-CS	MODULE-Ignition (HB180-VI, HB390-VI)	1
29	A- 33055	TERMINAL-Hi-Tension	1
30b	79252	SPARK PLUG (RDJ-7Y)	1
31	A- 03924	LEAD-Electrical	1
32	82540	SCREW-Thread Form. (8-32 x 1")	2
33	A- 04158	ROTOR & STARTER PAWLS	1
34	95479-A	WASHER-Flat	1
35	03566	SPACER-Fan	1
F	•A- 04447-A	FUEL TANK KIT	1
36	A- 00982-B	FUEL CAP	1
37	98792	BUMPER-Rubber	3
38	70310-32	TUBING-Rubber (8")	2
39	49422	FUEL FILTER	1
40	98767-A	GASKET-Crankcase	1
41	98754-B	CRANKCASE COVER	1
42	02851	TAB-Male	1
43	82538	SCREW-Thread Form. (10-24 X 3/4")	4
44	A- 01767	CABLE BRACKET (BP250)	1

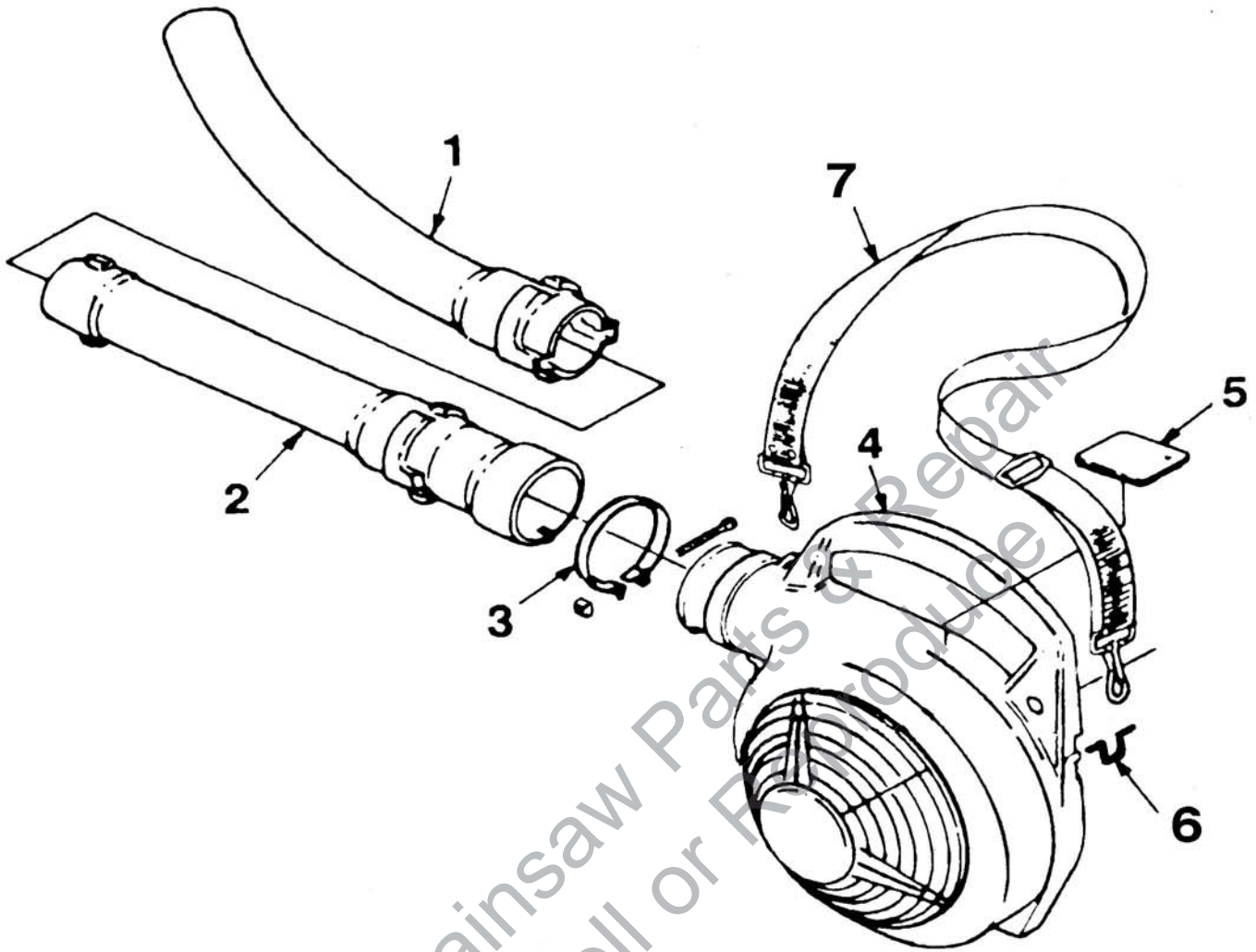
*NOTE: These parts are also included with the Short Block, part number A-04988.

**NOTE: Ring for single ring 30CC piston is 06357.

BX90, BP250, HB100, HB180,
 HB180-V, HB180-VI, HB180-VGK, HB290,
 HB290-V, HB390, HB390-V, HB390-VI

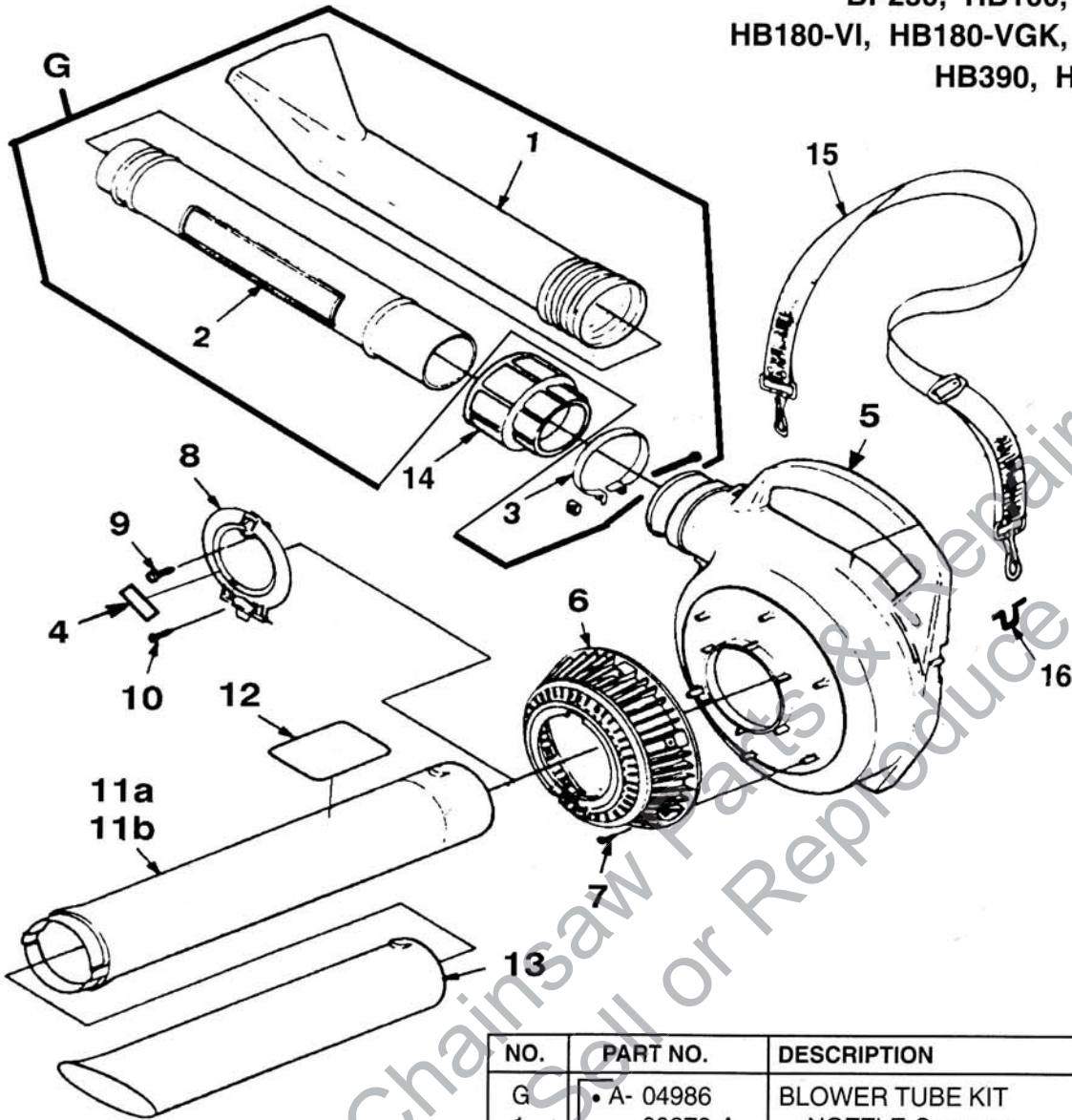


NO.	PART NO.	DESCRIPTION	QTY.
1	81124-A	NUT-Hex (3/8-24)	1
2	03163	WASHER-Bellville (3/8")	1
3	03165	WASHER-Flat	2
4	A-00503	BLOWER FAN KIT	1
5	00368-A	LATCH-Throttle	1
6	00370	SPRING-Throttle Latch	1
7	00367	TRIGGER-Throttle	1
8	00369-A	LEVER-Throttel	1
9	82538	SCREW-Thread Form. (10-24 X 3/4")	1
10	82376	SCREW-Thread Form. (#8 X 1/2")	3
11	82563	SCREW-Thread Form. (#10 X 3/4")	6
12	J A- 41690-3	SCREW-Thread Form. (#10 X 1 5/8")	1
E	A- 06298-A	VOLUTE HOUSING & STARTER	1
13	A- 00813-B	KIT-Sealing	1
14	02264	GRIP-Starter	1
15	96981-1A	BUSHING-Starter	1
16	00364-B	BUSHING-Starter Rope	1
17	A- 98773-A	SPRING & CONTAINER	1
18	98770-A	PULLEY-Starter	1
19	98791	BRACKET-Retaining	2
20	82541	SCREW-Thread Form. (#10 X 1/2")	2
21	97899-01	ROPE-Starter	1
22a	03976	SHROUD	1
22b	00321-1	SHROUD (HB180-VI, HB390-VI)	1
23	00393	HANDLE-Lower (HB180, HB180V, HB180-VGK, HB290-V, HB-390, HB-390V)	1
24	82348-A	SCREW-Tap, Pan Hd. (#8 X 1/2") (HB180, HB180V, HB180-VGK, HB290-V HB-390, HB-390V)	4
25	82146	SCREW-Fil. Hd. (8-32 X 5/8")	1



NO.	PART NO.	DESCRIPTION	QTY.
1	02899	NOZZLE-Sweeper	1
2	02898	TUBE-Upper	1
3	00433-A	CLAMP w/Fasteners	1
4	A- 02572-A	VOLUTE HOUSING (Outer)	1
5	06305-A	DECAL-Warning	1
6	00398	LOOP-Wire	1
7	DA-98138-B	SHOULDER STRAP	1

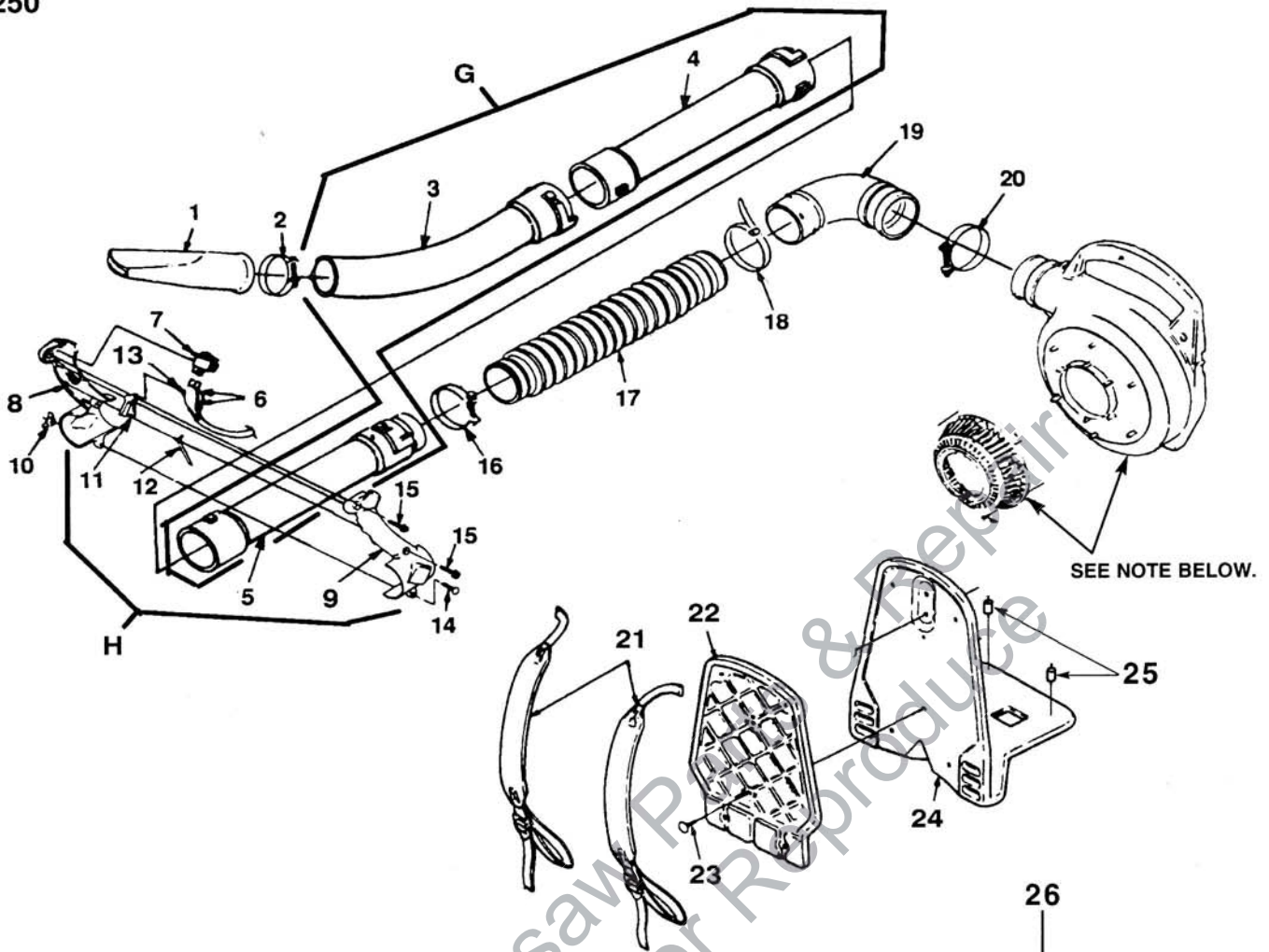
BP250, HB100, HB180, HB180-V,
 HB180-VI, HB180-VGK, HB290, HB290-V,
 HB390, HB390-V, HB390-VI



NO.	PART NO.	DESCRIPTION	QTY.
G	• A- 04986	BLOWER TUBE KIT	1
1	00373-A	NOZZLE-Sweeper	1
2	A- 00309	TUBE w/Decals	1
3	00433-B	CLAMP w/Fasteners	1
4	03555	DECAL-Safety (HB180-VI)	1
5	• A- 04852-A	VOLUTE HOUSING KIT	1
6	A- 04853	BLOWER VAC GRILLE KIT	1
7	82538	SCREW-Thread Form. (#6 X 3/4")	6
8	A- 04854	COVER-Access	1
9	82312	SCREW-Thread Rolling (#10 X 5/8")	1
10	82376	SCREW-Thread Form. (#8 X 1/2")	4
11a	• A- 01306-A	TUBE w/Decals (HB180-V, HB390-V)	1
12	01332-A	DECAL-Danger	1
11b	00363-A	TUBE-Inner (HB180-VI, HB390-VI)	1
13	00363-1A	TUBE-Outer (HB180-VI, HB390-VI)	1
14	00908-A	TUBE RETAINER-Vac Bag (HB180-V, HB180-VI, HB180-VGK, HB290V, HB390V, HB390VI)	1
15	DA- 98138-B	SHOULDER STRAP	1
16	00398	WIRE LOOP	1

See page 7 for Accessories Listing.

PLEASE NOTE: The Gutter Maintenance Kit, listed on the accessories page, is standard with the HB180-VGK unit.

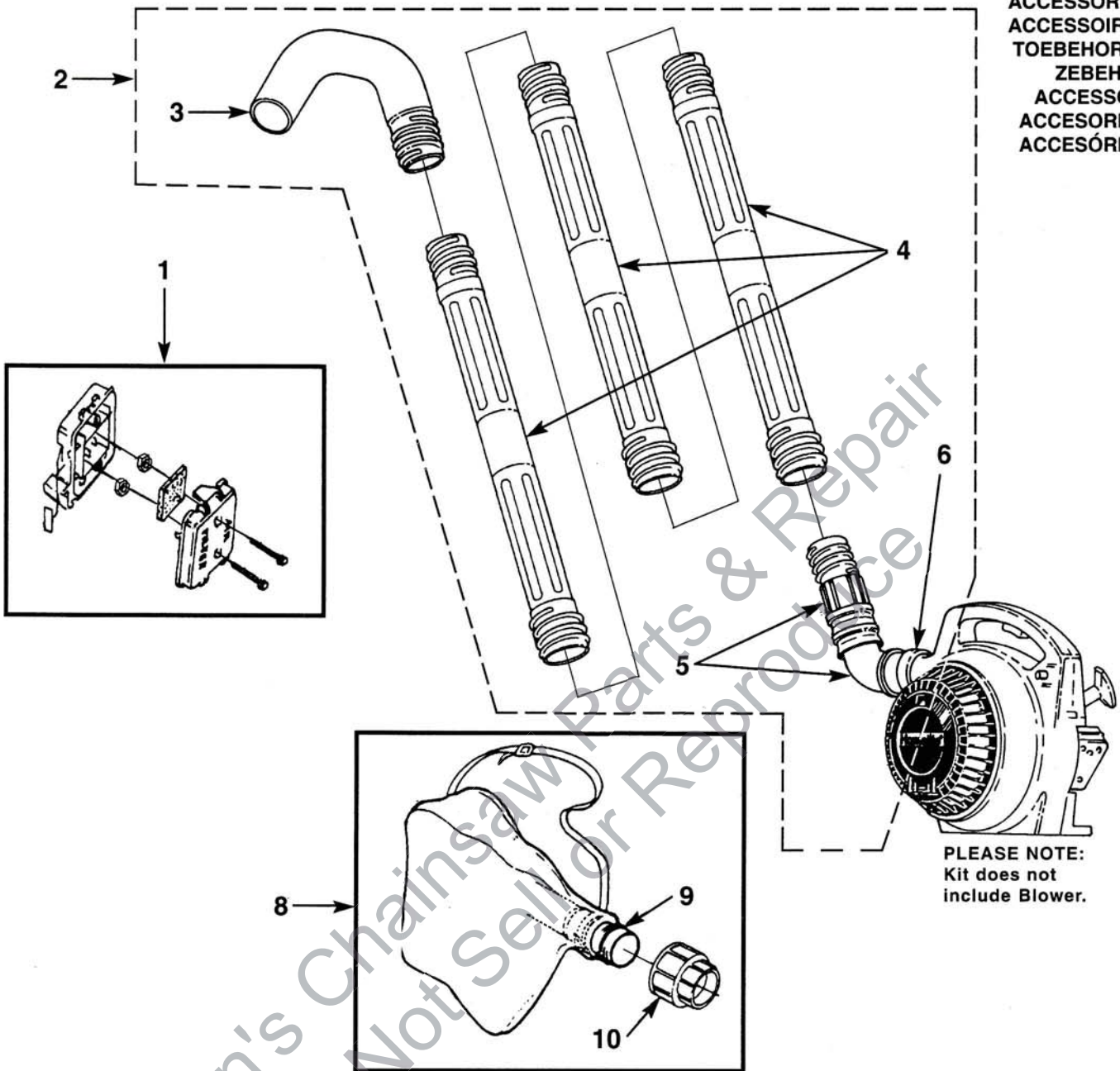


SEE NOTE BELOW.

NO.	PART NO.	DESCRIPTION	QTY.
1	96329-B	NOZZLE-Sweeper	1
2	00433-3	CLAMP (#83)	1
G	•A- 03036-A	BLOWER TUBE KIT	1
3	02899	TUBE-Elbow	1
4	02898-2	TUBE-Straight	1
5	02898-1	TUBE-Upper	1
H	•A- 00219	HANDLE & SWITCH KIT	1
6	A- 03924	ELECTRICAL LEAD w/Terminal	1
7	02497	SWITCH	1
8	03922	HANDLE-Control (Right)	1
9	03923	HANDLE-Control (Left)	1
10	81281	NUT-Wing (10-24)	1
11	94452-B	TRIGGER	1
12	95906-A	LATCH-Trigger	1
13	01775	CABLE-Throttle	1
14	82375	BOLT-Rib Neck, Rnd. Hd. (10-24 X 7/8")	1
15	82563	SCREW-Thread Form. (10-14 X 3/4")	2
16	00433-1	CLAMP (#87)	1
17	01772	BELLOWS-Plastic	1
18	JA- 37548-7	CABLE-Tie	1
19	01771-A	ELBOW-Curved	1
20	00433-5	CLAMP (#105)	1
21	01776	HARNESS-Shoulder	2
22	02023	PAD-Foam	1
23	01783	CLIP-Push	6
24	01763	FRAME-Blower	1
25	01770-A	VIBRATION ISOLATOR (ONE INCLUDED IN #26 KIT)	2
26	A- 04855	VIBRATION ISOLATOR KIT	1

NOTE: See Page 5 for part numbers for Volute Housing & Grille Kits.

ACCESSORIES
 ACCESSOIRES
 TOEBEHOREN
 ZEBEHÖR
 ACCESSORI
 ACCESORIOS
 ACCESÓRIOS



PLEASE NOTE:
 Kit does not
 include Blower.

WEAR EYE PROTECTION!



NO.	PART NO.	DESCRIPTION	QTY.
1	A- 06755	AIR FILTER KIT	1
2	• A- 02514-D	GUTTER MAINTENANCE KIT (HB100, HB180, HB180-V, HB180-VI, HB180-VGK, HB290, HB290-V, HB390, HB390-V, HB390-VI)	1
3	07543	FULL ELBOW	1
4	07498	STRAIGHT TUBE	3
5	A- 07627	UPPER ELBOW & SWIVEL ADAPTER	1
6	00433-B	LARGE CLAMP	1
7	04340	GOGGLES	1
8	• A- 02900-A	LEAF BAG KIT (HB180-V, HB390-V, HB180-VGK)	1
9	00908-A	TUBE-Vac Bag	1
10	00909	RETAINER-Vac Bag	1

PLEASE NOTE: The Gutter Maintenance Kit comes standard with the HB180-VGK.

CUSTOMER ASSISTANCE

FOR THE LOCATION OF YOUR NEAREST HOMELITE SERVICING DEALER
IN THE UNITED STATES, PUERTO RICO, AND THE VIRGIN ISLANDS,

CALL: 1-800-242-4672

HEADQUARTERS

Homelite, Inc.
P.O. BOX 7047
CHARLOTTE, N.C. 28241

OVERSEAS OFFICES

NETHERLANDS

Homelite Netherlands B.V.
A Deere & Company Affiliate
Haverstraat 24
2153 GB Nieuw Vennepe
The Netherlands

FRANCE

Homelite Atlantic SARL
Groupe Deere & Co.
BP 7011
95050 Cergy Pontoise Cedex
France

AUSTRALIA

Homelite Pacific Ltd.
A Deere & Company Affiliate
ACN 008 683 538
94 Rushdale Street
P. O. Box 555 MDA
Knoxfield Vic 3180
Australia

CANADIAN OFFICES

Homelite Canada Limited

Homelite Canada Limitée

A Deere & Company Affiliate /
Une Filiale de Deere & Company
1850-55e/th Avenue
Lachine, Québec, Canada H8T 3J5
1-800-363-5715

UNIT 212-214, 590 Ebury Place
New Westminster, B.C. V3M 6K7
1-800-667-3128

20-D Voyager Court South
Etobicoke, Ontario M9W 5M7
1-800-465-2249

Homelite.inc.

A Subsidiary of Deere & Company