

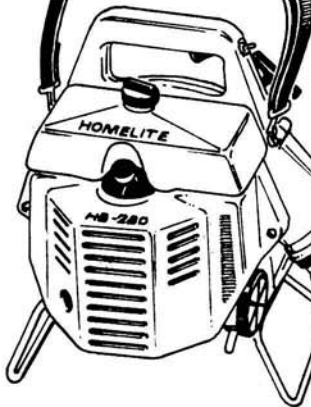
PART NO. 17637

Printed in U.S.A.

Price 35¢

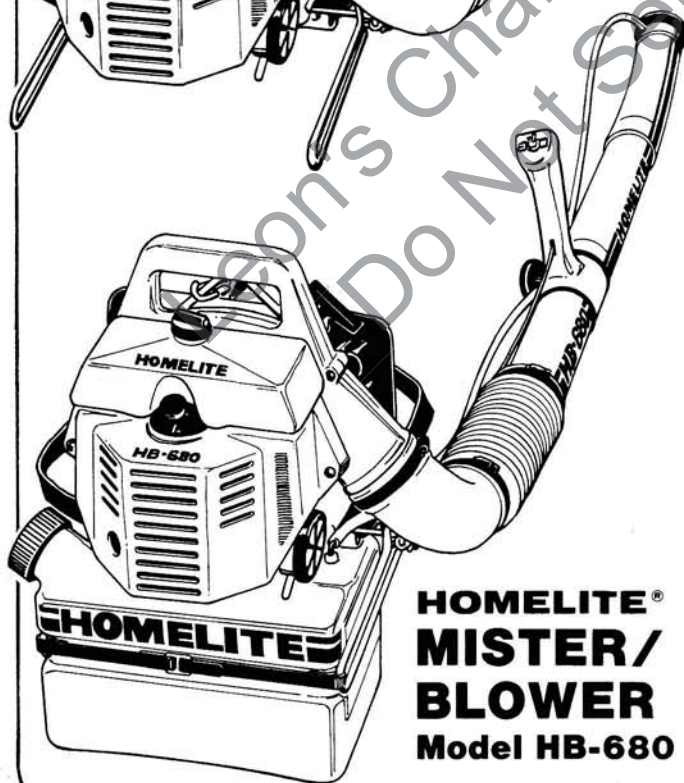
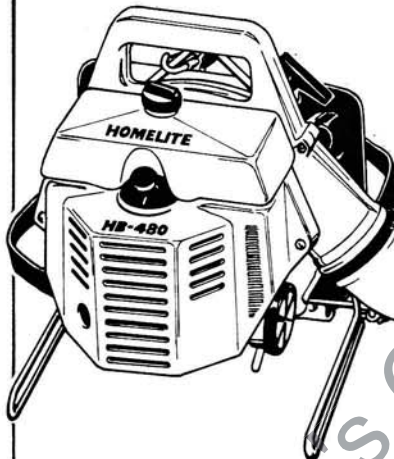
**HOMELITE®
BLOWER**

Model HB-280



**HOMELITE®
BLOWER**

Model HB-480



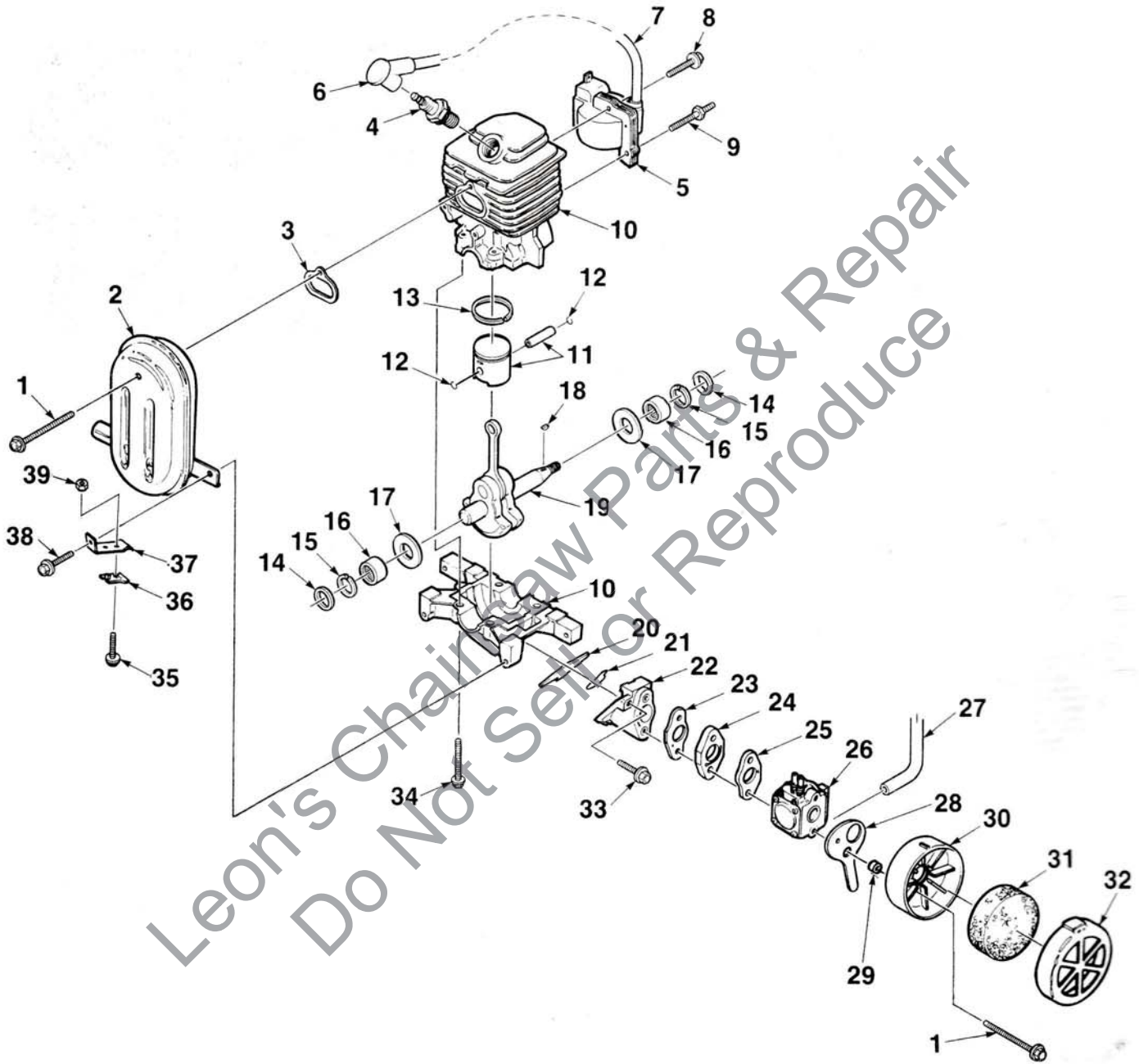
**HOMELITE®
MISTER/
BLOWER**
Model HB-680

PARTS LIST

HOMELITE
TEXTRON

Homelite Division of Textron Inc.

FIGURE 1



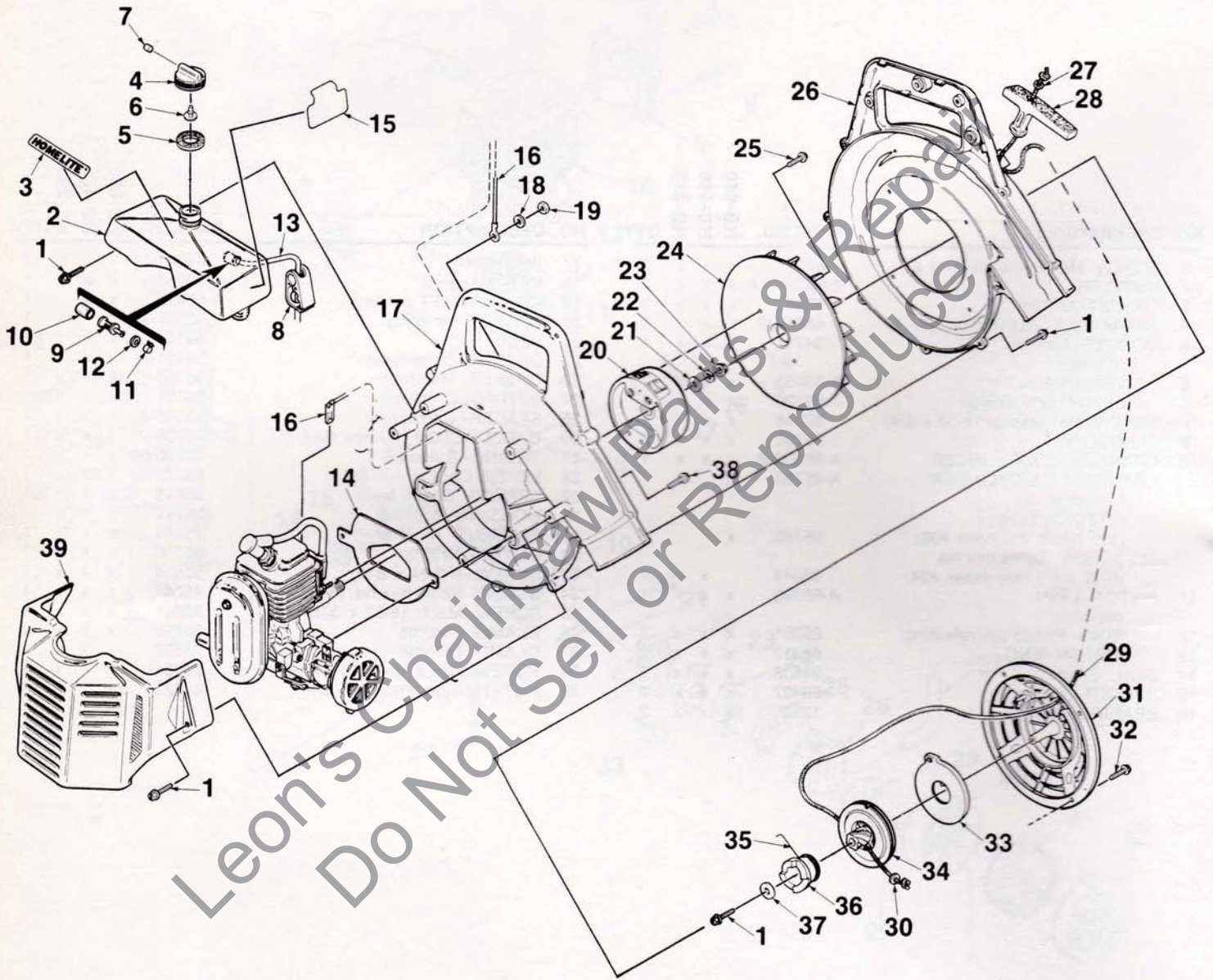
Leon's Chain Saw Parts & Repair
Do Not Sell or Reproduce

ALWAYS FURNISH MODEL AND SERIAL NUMBER WHEN ORDERING PARTS.

| NO. | DESCRIPTION | PART NO. | HB-680 | HB-480 | HB-280 | QTY. | NO. | DESCRIPTION | PART NO. | HB-680 | HB-480 | HB-280 | QTY. |
|-----|--------------------------------|------------|--------|--------|--------|------|-----|---------------------------------|----------|--------|--------|--------|------|
| 1 | SCREW- Hex Sems (10-24 x 2) | 88057 | x | x | x | 3 | 17 | WASHER | 69093-B | x | x | x | 2 |
| 2 | MUFFLER | A-95757-1A | x | x | x | 1 | 18 | KEY- Magneto | 69250 | x | x | x | 1 |
| 3 | GASKET- Muffler | 93801 | x | x | x | 1 | 19 | CRANKSHAFT (w/rod) | A-96615 | x | x | x | 1 |
| 4 | SPARK PLUG (Champion) DJ-7J | 68616-S | x | x | x | 1 | 20 | GASKET- Housing | 93884-A | x | x | x | 1 |
| 5 | MODULE- Ignition | 94711 | x | x | x | 1 | 21 | REED | 69146 | x | x | x | 1 |
| | Includes: | | | | | | 22 | SPACER- Carburetor | 94454-A | x | x | x | 1 |
| 6 | TERMINAL | A-33055 | x | x | x | 1 | 23 | GASKET- Manifold | 96100 | x | x | x | 1 |
| 7 | LEAD- High tension | 69326 | x | x | x | 1 | 24 | MANIFOLD- Intake | 96101 | x | x | x | 1 |
| 8 | SCREW- Hex washer (8-32 x 3/4) | 82248 | x | x | x | 1 | 25 | SPACER- Carburetor | 95560-A | x | x | x | 1 |
| 9 | STANDOFF | 95735 | x | x | x | 1 | 26 | CARBURETOR (Walbro #WA-95) | A-95736 | x | x | x | 1 |
| 10 | CRANKCASE & CYLINDER | A-96906-2 | | x | x | 1 | 27 | TUBING- Rubber 6" | 70310-60 | x | x | x | 1 |
| | CRANKCASE & CYLINDER | A-95730 | x | | | 1 | 28 | LEVER- Choke | 95777 | x | x | x | 1 |
| | Includes: | | | | | | 29 | SPACER- Choke lever | 96948 | x | x | x | 1 |
| | FITTING- Tube | | | | | | 30 | HOUSING- Air filter | 95749 | x | x | x | 1 |
| | (see figure #5, index #69) | 95763 | x | | | 1 | 31 | ELEMENT- Air filter | 95748 | x | x | x | 1 |
| | SCREW- Sems hex hd. | | | | | | 32 | COVER- Air filter | 95750 | x | x | x | 1 |
| | (8-32 x 1") (see index #34) | 88044 | | x | x | 4 | 33 | SCREW- (10-24 x .812) | 93934 | x | x | x | 2 |
| 11 | PISTON & PIN | A-69393 | x | x | x | 1 | 34 | SCREW- Sems hex hd. (8-32 x 1") | 88044 | x | x | x | 4 |
| | Includes: | | | | | | 35 | SCREW- Mach. (8-32 x .375) | 88041 | x | x | x | 1 |
| 12 | RING- Piston pin retaining | 65261 | x | x | x | 2 | 36 | CLAMP- Throttle | 96359 | x | x | x | 1 |
| 13 | PISTON RING | 69312 | x | x | x | 1 | 37 | CLAMP- Throttle | 95787 | x | x | x | 1 |
| 14 | SEAL- Shaft | 94638 | x | x | x | 2 | 38 | SCREW- Hex sems (#10-24 x 3/4) | 88051 | x | x | x | 2 |
| 15 | SPACER- Seal | 69407 | x | x | x | 2 | 39 | NUT- Hex centerlock (8-23) | 81223 | x | x | x | 1 |
| 16 | BEARING- Needle | 12530 | x | x | x | 2 | | | | | | | |

ALWAYS FURNISH MODEL AND SERIAL NUMBER WHEN ORDERING PARTS.

FIGURE 2



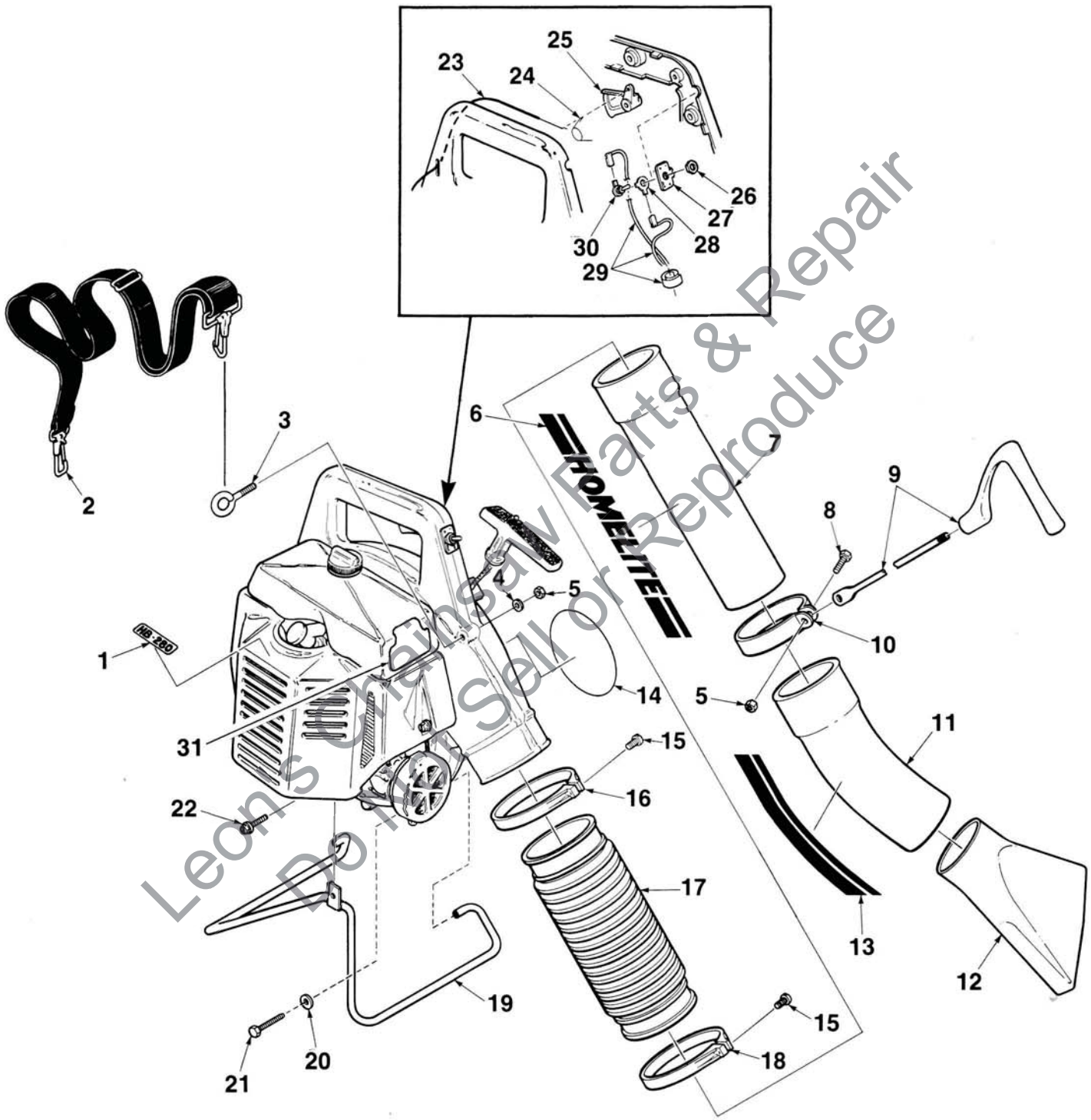
ALWAYS FURNISH MODEL AND SERIAL NUMBER WHEN ORDERING PARTS.

| NO. | DESCRIPTION | PART NO. | HB-680 | HB-480 | HB-280 | QTY. | NO. | DESCRIPTION | PART NO. | HB 680 | HB 480 | HB 280 | QTY. |
|-----|---|-----------|--------|--------|--------|------|-----|-----------------------------------|-----------|--------|--------|--------|------|
| | | | | | | | | | | | | | |
| 1 | SCREW- Thread forming (plastic #10 x .750) | 70771 | x | x | | 18 | 19 | NUT- Hex center lock (10-24) | 81208 | x | x | x | 1 |
| | SCREW- Thread forming (plastic #10 x .750) | 70771 | | | x | 11 | 20 | ROTOR- Magneto | 95733 | x | x | x | 1 |
| 2 | TANK- Fuel Includes: | A-96716-A | x | x | x | 1 | 21 | WASHER- Flat (5/16) | 84065-1 | x | x | x | 1 |
| 3 | DECAL- Homelite | 96602 | x | x | x | 1 | 22 | WASHER- Lock (5/16) | 83002 | x | x | x | 1 |
| 4 | CAP- Fuel Includes: | A-94495 | x | x | x | 1 | 23 | NUT- Hex (5/16-24) | 81117 | x | x | x | 1 |
| 5 | GASKET- Fuel cap | 94494 | x | x | x | 1 | 24 | FAN | 95720 | x | x | x | 1 |
| 6 | VALVE- Check | 94531-1 | x | x | x | 1 | 25 | SCREW- Pan mach (10-32 x 7/16) | 82396 | x | x | x | 4 |
| 7 | FILTER- Fuel cap | 69454 | x | x | x | 1 | 26 | HOUSING- Volute | A-95737 | x | x | | 1 |
| 8 | CLAMP | 96544 | x | x | x | 1 | | HOUSING- Volute | A-96336 | | | x | 1 |
| 9 | FILTER- Fuel Includes: | A-69923 | x | x | x | 1 | 27 | WASHER- Flat (#8) | 84025 | | x | x | 1 |
| 10 | ELEMENT- Felt filter | 64083 | x | x | x | 1 | | WASHER- Flat (#8) | 84025 | x | | | 3 |
| 11 | CLAMP | 93426 | x | x | x | 1 | 28 | GRIP- Starter | 70211 | x | x | x | 1 |
| 12 | WASHER | 64182 | x | x | x | 1 | 29 | ROPE- Starter Includes: | A-93876 | x | x | x | 1 |
| 13 | TUBING- Rubber | 70310-60 | x | x | x | 1 | 30 | WASHER- Nylon | 93862 | x | x | x | 1 |
| 14 | BACKPLATE | 95990 | x | x | x | 1 | 31 | HOUSING- Starter | 95719 | x | x | x | 1 |
| 15 | DECAL- Instruction (warning) | 96150 | | | x | 1 | 32 | SCREW- Thread forming (#10 x 5/8) | 82409 | x | x | x | 4 |
| 16 | LEAD- Electrical (w/terminal) | A-95784 | x | x | | 1 | 33 | SPRING- Rewind | A-94918-A | x | x | x | 1 |
| | LEAD- Electrical (w/terminal) | A-96388 | | | x | 1 | 34 | PULLEY- Starter | 94383-A | x | x | x | 1 |
| 17 | HOUSING- Volute | 95717 | x | x | | 1 | 35 | LEVER- Ratchet | 94505 | x | x | x | 1 |
| | HOUSING- Volute | 95717-1 | | | x | 1 | 36 | RATCHET- Starter | 95803 | x | x | x | 1 |
| 18 | WASHER- Flat #10 | 84003-1 | x | x | x | 1 | 37 | WASHER- Flat | 95208 | x | x | x | 1 |
| | | | | | | | 38 | SCREW- Hex sems (#10-24 x 3/4) | 88051 | x | x | x | 2 |
| | | | | | | | 39 | SHROUD | 95746 | x | x | x | 1 |

ALWAYS FURNISH MODEL AND SERIAL NUMBER WHEN ORDERING PARTS.

HB-280 BLOWER

FIGURE 3



ALWAYS FURNISH MODEL AND SERIAL NUMBER WHEN ORDERING PARTS.

HB-280 BLOWER

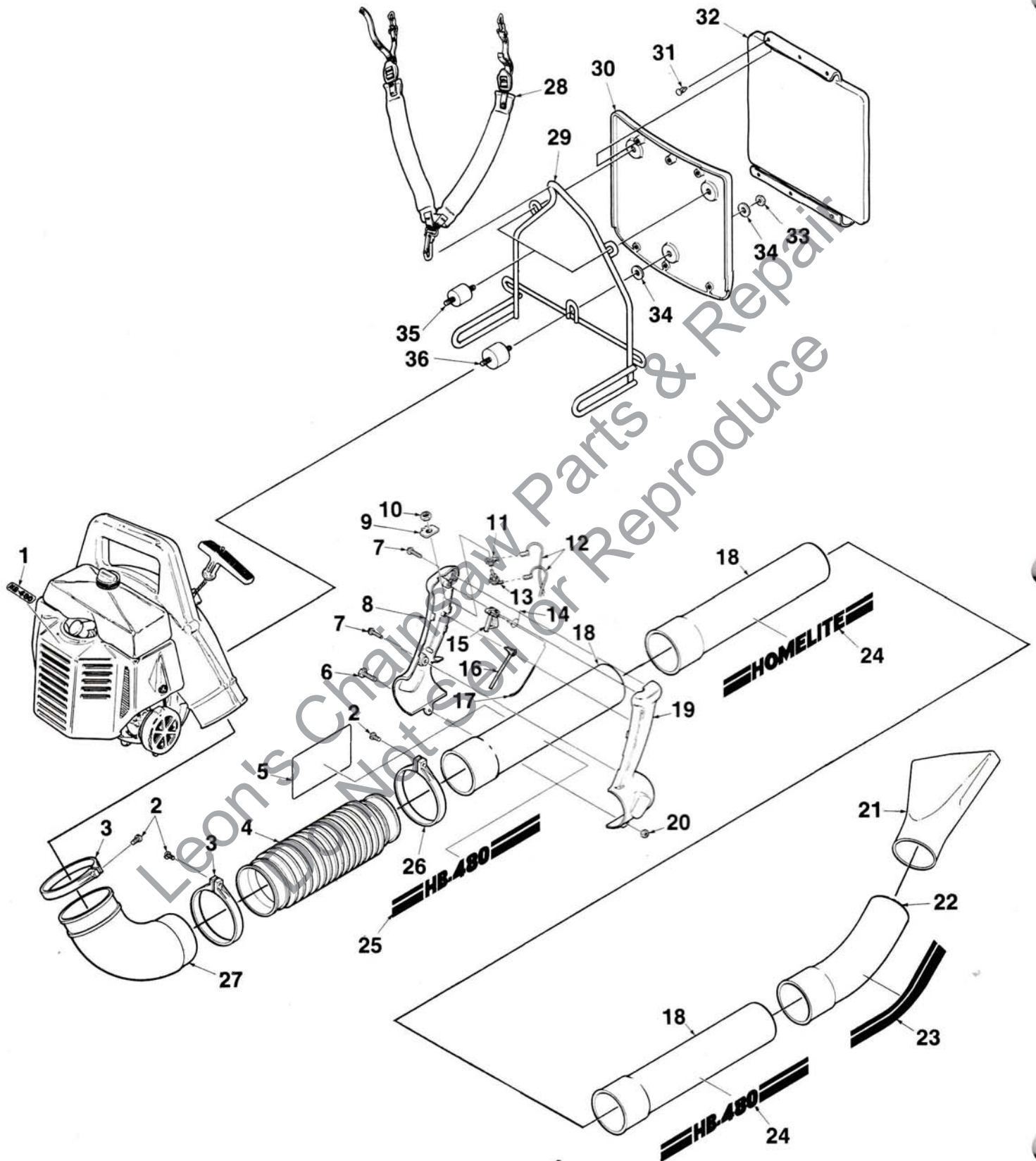
| NO. | DESCRIPTION | PART NO. | QTY. | NO. | DESCRIPTION | PART NO. | QTY. |
|-----|------------------------------------|----------|------|-----|---|----------|------|
| 1 | DECAL- (HB-280 small) | 96740 | 1 | 17 | BELLOW- Plastic | 95790 | 1 |
| 2 | STRAP- Shoulder | 96337-A | 1 | 18 | CLAMP | 95785 | 1 |
| 3 | BOLT- Closed eye | 96389 | 1 | 19 | STAND- Wire | 96183 | 1 |
| 4 | WASHER- Flat (#10) | 84008 | 2 | 20 | WASHER- Flat (#8) | 84025 | 3 |
| 5 | NUT- Lock hex (10-24) | 81256 | 2 | 21 | SCREW- Sems hex hd., (8-32 x 1.25) | 88045 | 2 |
| 6 | DECAL- Homelite | 96496 | 1 | 22 | SCREW- Thread forming (plastic #10 x .750) | 70771 | 11 |
| 7 | TUBING- Plastic (14") | 95738 | 1 | 23 | CABLE- Throttle | 96335 | 1 |
| 8 | SCREW- Pan hd. (10-24 x 1/2) | 80672 | 1 | 24 | SPRING- Torsion | 96755 | 1 |
| 9 | HANDLE- Guide | A-96331 | 1 | 25 | TRIGGER | 94452 | 1 |
| 10 | CLAMP- Guide rod | 96363 | 1 | 26 | NUT- Toggle switch | 72084-A1 | 1 |
| 11 | TUBING- Plastic (10") (Curved) | 95731 | 1 | 27 | PLATE- Indicating | 95231 | 1 |
| 12 | NOZZLE- Sweeper | 96329 | 1 | 28 | WASHER- Grounding | 95611-A | 1 |
| 13 | DECAL | 96498 | 1 | 29 | LEAD- Electrical | A-96388 | 1 |
| 14 | DECAL (HB-280) | 96741 | 1 | 30 | SWITCH- Toggle | 93653 | 1 |
| 15 | SCREW- Oval hd. (10-24 x 1 1/4) | 80450 | 4 | 31 | DECAL - Instruction | 96150 | 1 |
| 16 | CLAMP | 95786 | 1 | | | | |

Leon's Chainsaw Parts & Repair
Do Not Sell Or Reproduce

ALWAYS FURNISH MODEL AND SERIAL NUMBER WHEN ORDERING PARTS.

HB-480 BACK-PACK BLOWER

FIGURE 4



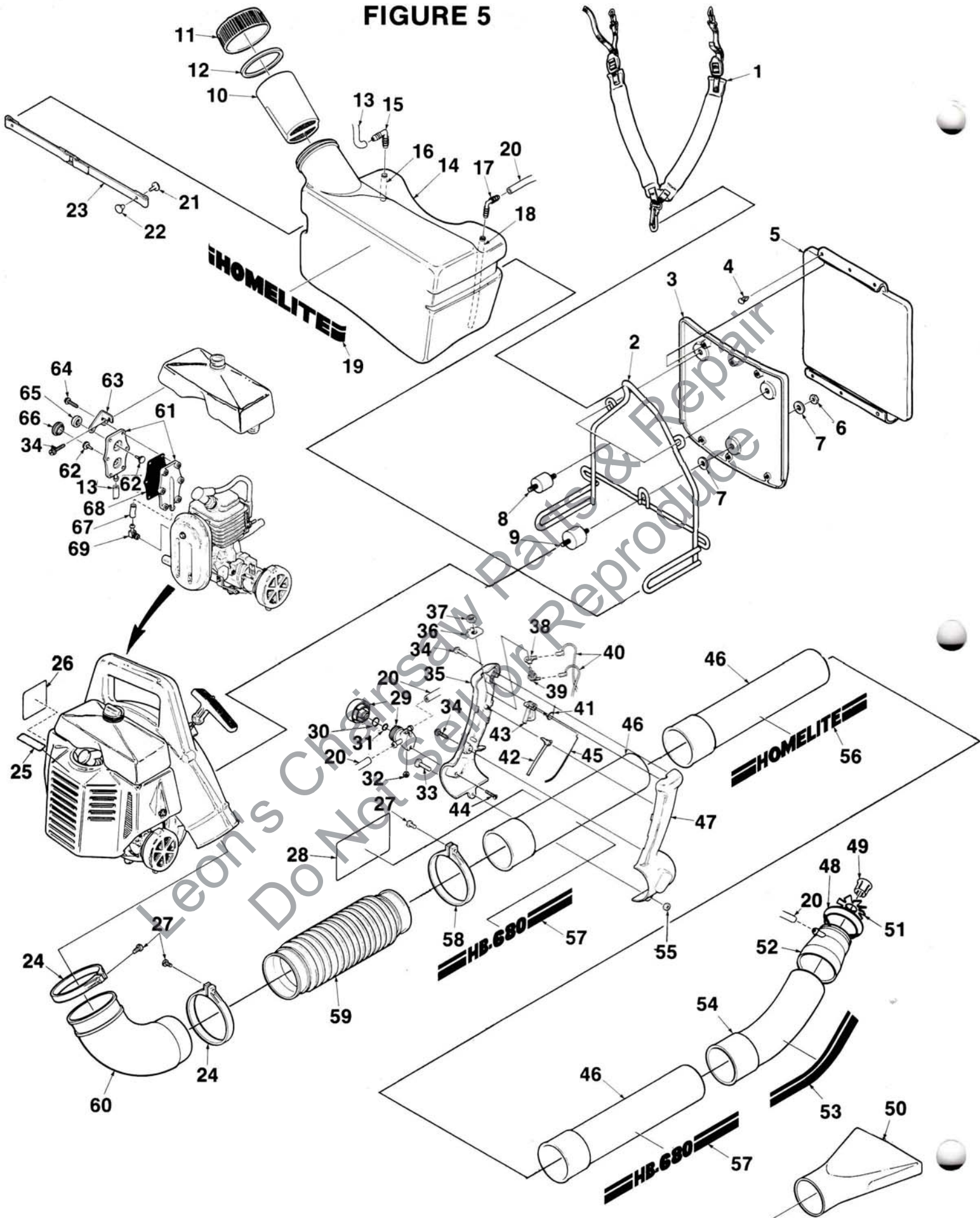
ALWAYS FURNISH MODEL AND SERIAL NUMBER WHEN ORDERING PARTS.

HB-480 BACK-PACK BLOWER

| NO. | DESCRIPTION | PART NO. | QTY. | NO. | DESCRIPTION | PART NO. | QTY. |
|-----|---|----------|------|-----|----------------------------|----------|------|
| 1 | DECAL- (HB-480) | 96739 | 1 | 18 | TUBING- Plastic (14") | 95738 | 2 |
| 2 | SCREW- Oval hd. (10-24 x 1 1/4) | 80450 | 3 | 19 | HANDLE- Control (right) | 95723 | 1 |
| 3 | CLAMP | 95786 | 2 | 20 | NUT- Hex (10-24 x 3/8) | 81092 | 1 |
| 4 | BELLOW- Plastic | 95790 | 1 | 21 | SWEEPER- Nozzle | 96329 | 1 |
| 5 | DECAL- Instruction (warning) | 96146 | 1 | 22 | TUBING- Plastic (10") | 95731 | 1 |
| 6 | BOLT- Rib neck rd. hd. (10-23 x 7/8) | 82375 | 1 | 23 | DECAL | 96498 | 1 |
| 7 | SCREW- Thread forming (plastic #10 x .750) | 70771 | 17 | 24 | DECAL- Homelite | 96496 | 1 |
| 8 | HANDLE- Control- left | 95724-1 | 1 | 25 | DECAL- (HB-480) | 96738 | 2 |
| 9 | PLATE- Indicating | 95231 | 1 | 26 | CLAMP | 95785 | 1 |
| 10 | NUT- Toggle switch | 72084-A1 | 1 | 27 | ELBOW- Plastic | 95791 | 1 |
| 11 | WASHER- Grounding | 95782 | 1 | 28 | HARNES- Shoulder | 96158 | 1 |
| 12 | LEAD- Electrical (w/terminal) | A-95784 | 1 | 29 | FRAME- Wire | 96160 | 1 |
| 13 | SWITCH- Toggle | 93653 | 1 | 30 | BACKREST- Plastic | 96157 | 1 |
| 14 | SPRING- torsion | 65375-2 | 1 | 31 | CLIP- Push | 96383 | 6 |
| 15 | TRIGGER | 94452 | 1 | 32 | PAD- Brackrest | 96159 | 1 |
| 16 | LATCH- Trigger | 95906 | 1 | 33 | NUT- Hex (5/16-18) | 81243 | 3 |
| 17 | CABLE- Throttle | 93806-A | 1 | 34 | WASHER- Flat | 96381 | 6 |
| | | | | 35 | MOUNT- Vibration isolation | 96382 | 2 |
| | | | | 36 | ISOLATOR- Vibration | 46948-A | 1 |

ALWAYS FURNISH MODEL AND SERIAL NUMBER WHEN ORDERING PARTS.

FIGURE 5



ALWAYS FURNISH MODEL AND SERIAL NUMBER WHEN ORDERING PARTS.

HB-680 BACK-PACK MISTER/BLOWER

| NO. | DESCRIPTION | PART NO. | QTY. | NO. | DESCRIPTION | PART NO. | QTY. |
|-----|---|----------|------|-----|-------------------------------------|----------|------|
| 1 | HARNES- Shoulder | 96158 | 1 | 35 | HANDLE- Control left | 95724-1 | 1 |
| 2 | FRAME- Wire | 96160 | 1 | 36 | PLATE- Indicating | 95231 | 1 |
| 3 | BACKREST- Plastic | 96157 | 1 | 37 | NUT- Toggle switch | 72084-A1 | 1 |
| 4 | CLIP- Push | 96383 | 6 | 38 | WASHER- Grounding | 95782 | 1 |
| 5 | PAD- Backrest | 96159 | 1 | 39 | SWITCH- Toggle | 93653 | 1 |
| 6 | NUT- Hex (5/16-18) | 81243 | 3 | 40 | LEAD- Electrical (w/terminal) | A-95784 | 1 |
| 7 | WASHER- Flat | 96381 | 6 | 41 | SPRING- Torsion | 65375-2 | 1 |
| 8 | MOUNT- Vibration isolation | 96382 | 1 | 42 | LATCH- Trigger | 95906 | 1 |
| 9 | ISOLATOR- Vibration | 46948-A | 1 | 43 | TRIGGER | 94452 | 1 |
| 10 | STRAINER- Fluid tank | 95771 | 1 | 44 | SCREW- Rd. mach. (6-32 x 7/16) | 80831 | 2 |
| 11 | CAP- Fluid tank | A-95775 | 1 | 45 | CABLE- Throttle | 93806-A | 1 |
| | Includes: | | | 46 | TUBING- Plastic (14") | 95738 | 2 |
| 12 | GASKET- Cap | 96920 | 1 | 47 | HANDLE- Control-right | 95723 | 1 |
| 13 | TUBING- Plastic (8") | 96922 | 1 | 48 | DIFFUSER- Nozzle | 95804 | 1 |
| 14 | TANK- Fluid | A-95744 | 1 | 49 | HEAD- Spray | 95805 | 1 |
| | Includes: | | | 50 | SWEEPER- Nozzle | 96329 | 1 |
| 15 | FITTING- Elbow | 96392 | 1 | 51 | VANE- Diffuser | 95801 | 1 |
| 16 | TUBING- Plastic | 96921 | 1 | 52 | NOZZLE- Sprayer | 95779 | 1 |
| 17 | FITTING- Elbow | 96391 | 1 | 53 | DECAL | 96498 | 1 |
| 18 | TUBING- Plastic | 95761 | 1 | 54 | TUBING- Plastic (#10) (curved) | 95731 | 1 |
| 19 | DECAL- Homelite | 96496 | 1 | 55 | NUT- Hex (10-24 x 3/8) | 81092 | 1 |
| 20 | TUBING- Plastic (28") | 95760 | 2 | 56 | DECAL- Homelite | 96496 | 1 |
| 21 | RIVET- Button top | 96609 | 2 | 57 | DECAL (HB-680) | 96736 | 2 |
| 22 | RIVET- Button base | 96610 | 2 | 58 | CLAMP | 95785 | 1 |
| 23 | STRAP- Tank retaining | 96923 | 1 | 59 | BELLOW- Plastic | 95790 | 1 |
| 24 | CLAMP | 95786 | 2 | 60 | ELBOW- Plastic | 95791 | 1 |
| 25 | DECAL (HB-680) | 96737 | 1 | 61 | PUMP- Air | A-95770 | 1 |
| 26 | DECAL- Warning | 96779 | 1 | | Includes: | | |
| 27 | SCREW- Oval hd. (10-24 x 1 1/4) | 80450 | 3 | 62 | VALVE- Umbrella | 95758 | 2 |
| 28 | DECAL- Instruction | 96143 | 1 | 63 | BRACKET- Pump mount | 95768 | 1 |
| 29 | VALVE- Fluid control | A-95766 | 1 | 64 | SCREW- Thread forming (10 x 5/8) | 82409 | 6 |
| | Includes: | | | 65 | ELEMENT- Pump filter | 95767 | 1 |
| 30 | "O" RING | 95743 | 1 | 66 | PLUG | 95789 | 1 |
| 31 | "O" RING | 95781 | 1 | | TUBING- Plastic (see item #13) | 96922 | 1 |
| 32 | NUT- Hex (6-32) | 81238 | 5 | 67 | TUBING- Plastic | 96921 | 1 |
| 33 | BOLT- Rib neck rd. hd. (10-23 x 7/8) | 82375 | 1 | 68 | DIAPHRAGM- Pump | 95769 | 1 |
| 34 | SCREW- Thread forming (plastic #10 x .750) | 70771 | 17 | 69 | FITTING- Tube | 95763 | 1 |

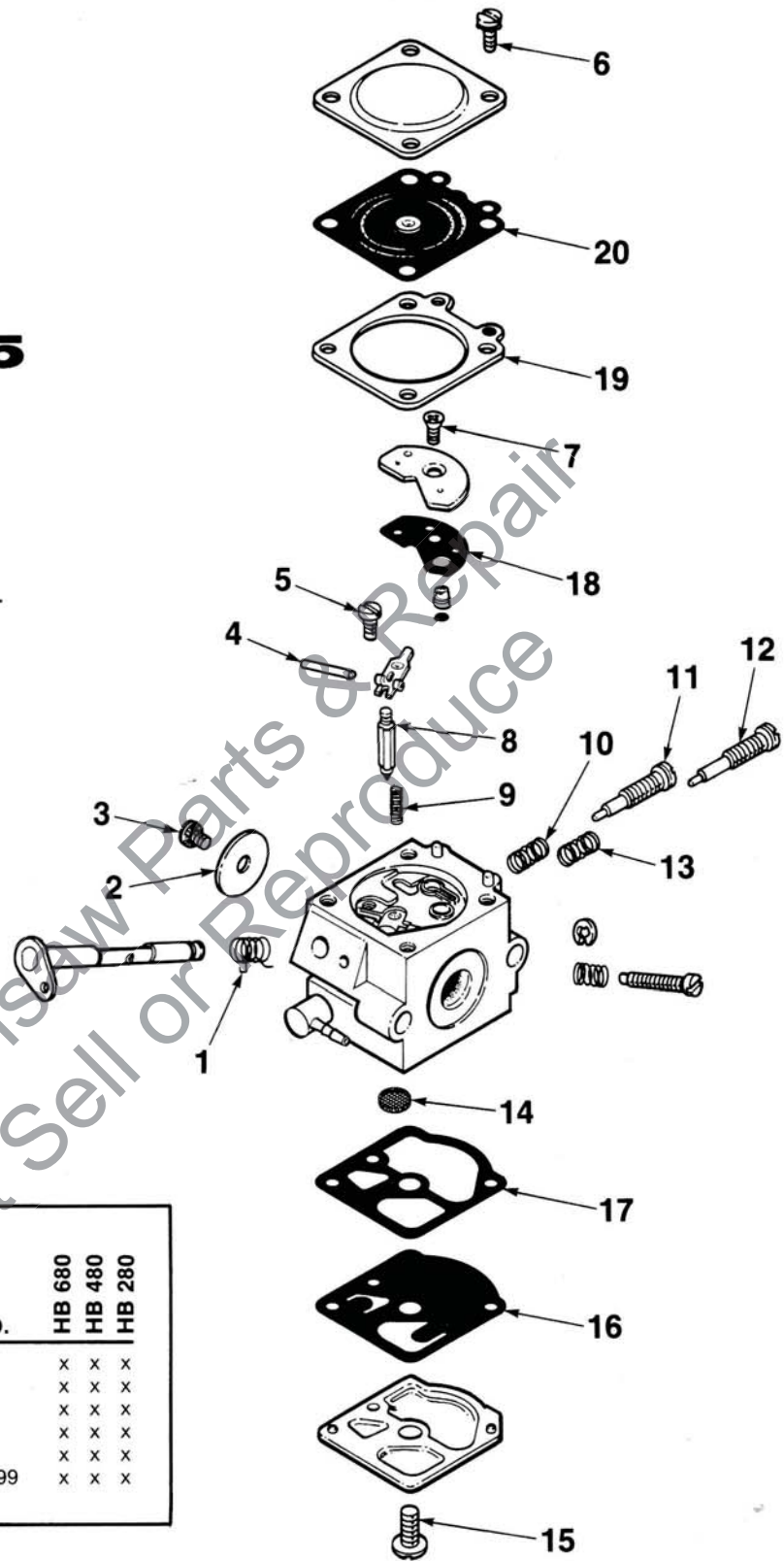
ALWAYS FURNISH MODEL AND SERIAL NUMBER WHEN ORDERING PARTS.

FIGURE 6

**CARBURETOR
A-95736**

WALBRO WA-95

| DESCRIPTION | PART NO. |
|------------------------------|----------|
| GASKET/DIAPHRAGM KIT (16-20) | 96988 |
| OEM REPAIR KIT (1-20) | 96989 |



| TOOLS AND ACCESSORIES | | | | |
|-------------------------------|----------|--------|--------|--------|
| DESCRIPTION | PART NO. | HB 680 | HB 480 | HB 280 |
| WRENCH- Combination | A-24284 | x | x | x |
| GAGE- Feeler (.012) | 24306 | x | x | x |
| SCREWDRIVER | 24541 | x | x | x |
| SILASTIC | 24823 | x | x | x |
| ROPE- Starting (250' reel #4) | 68848 | x | x | x |
| TUBING- Rubber | 70310-99 | x | x | x |

HOMELITE DIVISION OF TEXTRON INC.
 14401 CAROWINDS BOULEVARD
 P.O. BOX 7047, CHARLOTTE, NORTH CAROLINA 28217

HOMELITE TEXTRON

Homelite Division of Textron Inc.