

**HOMELITE®**

**PART NO. 18038**

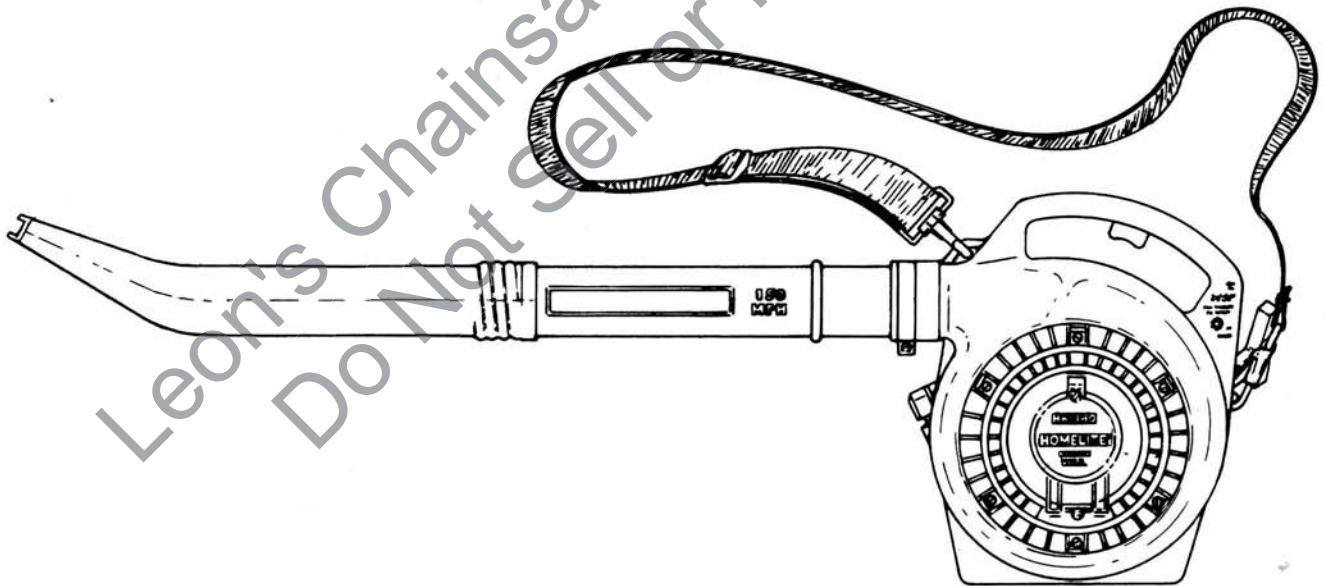
Printed in U.S.A.

Price 35¢

## PARTS LIST

# BLOWER/VAC

**MODELS: HB-180** — UT-08007  
UT-08009  
**HB-180V** — UT-08008  
UT-08010

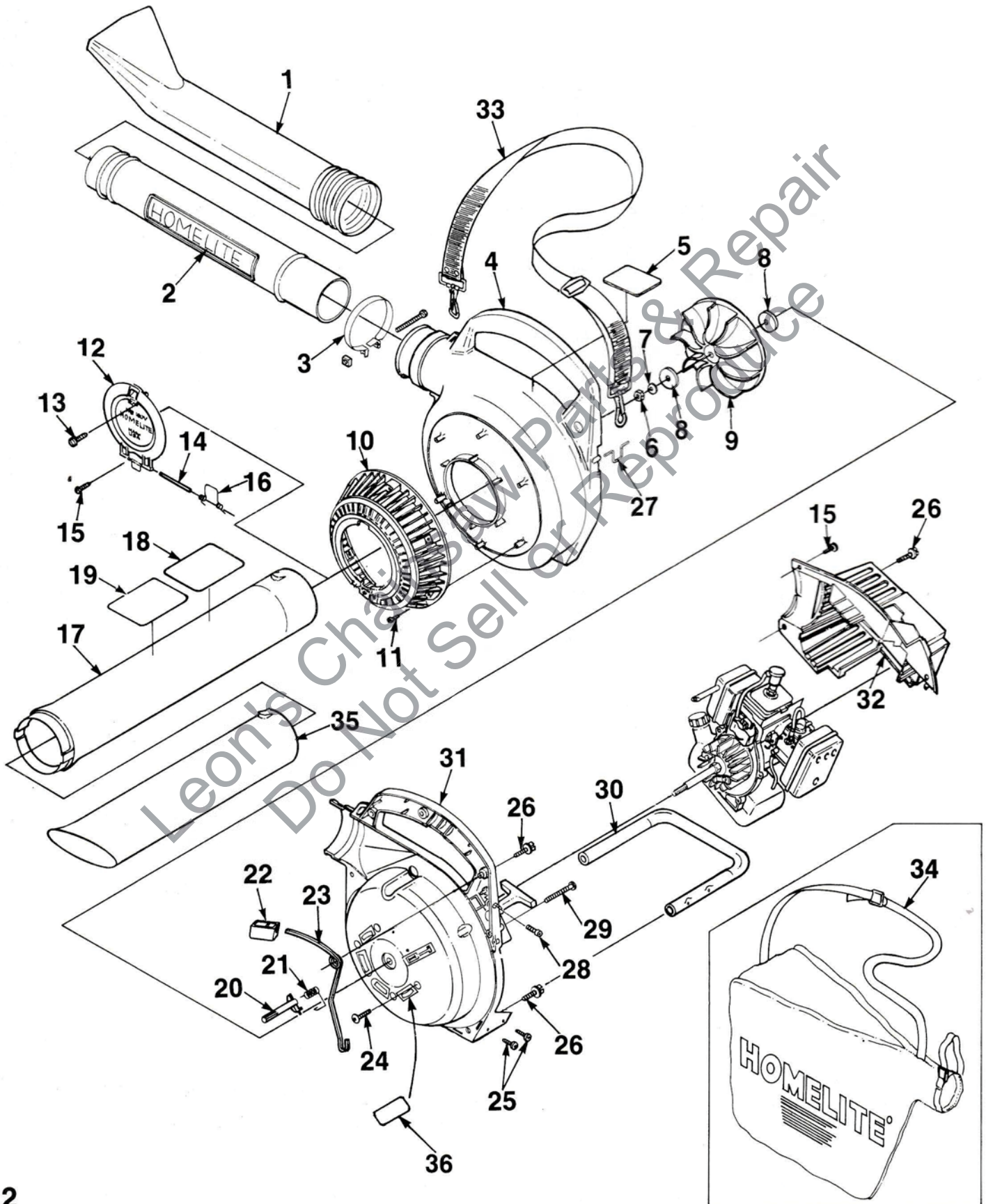


**HOMELITE** **TEXTRON**

Homelite Division of Textron Inc.

# HB-180 HB-180V

## FIGURE 1



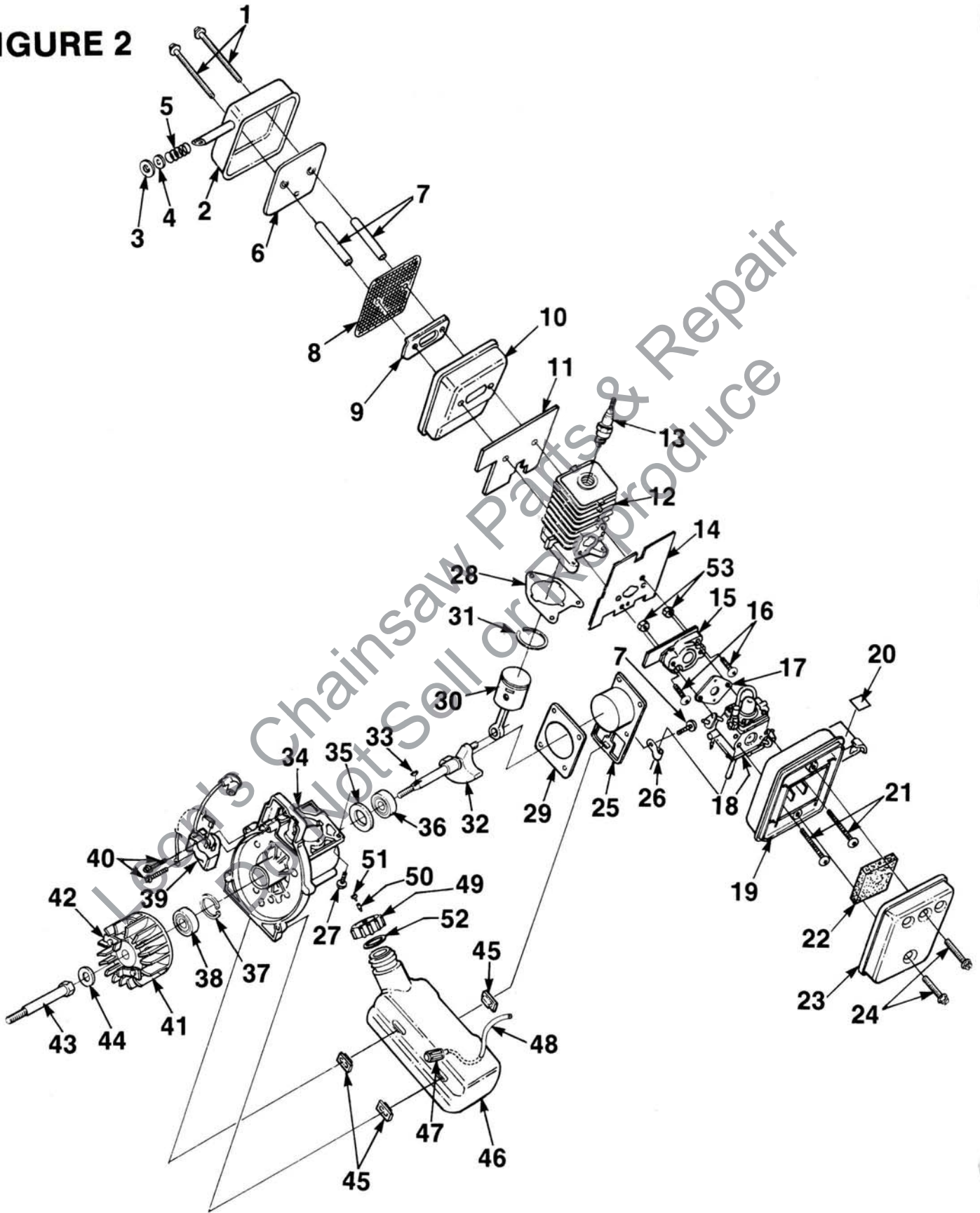
**PARTS LIST - FIGURE 1**

NO.	PART NO.	DESCRIPTION	QTY.
1	00373	NOZZLE- Sweeper	1
2	A-00399	TUBE w/DECAL	1
3	00433	CLAMP	1
4	00316	HOUSING- Volute (outer)	1
5	00375	DECAL- Warning	1
6	81117	NUT- Hex 5/16-24	1
7	70788	WASHER- Belleville #10	1
8	00380	WASHER- Fan	2
9	00318	FAN- Blower	1
10	00320	GRILLE- Blower Vac	1
11	82528	SCREW- Thd forming (#6-19 x 3/4)	6
12	00319	COVER- Access	1
13	82312	SCREW- Thd Rolling #10 x 5/8	1
14	00384	PIN- Cover hinge	1
15	82376	SCREW- Thd forming #8 x 1/2	1
16	00371	SPRING- Access Cover	1
17	A-00386	TUBE w/DECAL (Inner) 180V Only	1
		Includes:	
18	00376	DECAL (180V Only)	1
19	00819	DECAL- Warning 180V Only	1
20	00368	LATCH- Throttle	1
21	00370	SPRING- Throttle latch	1
22	00367	TRIGGER- Throttle	1
23	00369	LEVER- Throttle	1
24	82508	SCREW- Thd Forming	1
25	82348	SCREW- Tapping pan #8 x 1/2	4
26	70771	SCREW- Thd forming #10 x 3/4	1
27	00398	LOOP- Wire	1
28	82146	SCREW- Fil. hd. #8-32 x 5/8	1
29	JA-41690-3	SCREW- Hex hd. #10 x 1 5/8	1
30	00393	HANDLE- Lower (180V Only)	1
31	00315	HOUSING- Volute (inner)	1
32	00321	SHROUD	1
33	DA-98138-A	STRAP- Shoulder	1
34	A-00392	BAG- Leaf (180V Only)	1
35	00363-1	TUBE- (outer) 180V Only	1
36	A-00813	KIT- Sealing	1

Leon's Chassis Parts & Repair  
Do Not Sell or Reproduce

# HB-180 HB-180V

## FIGURE 2



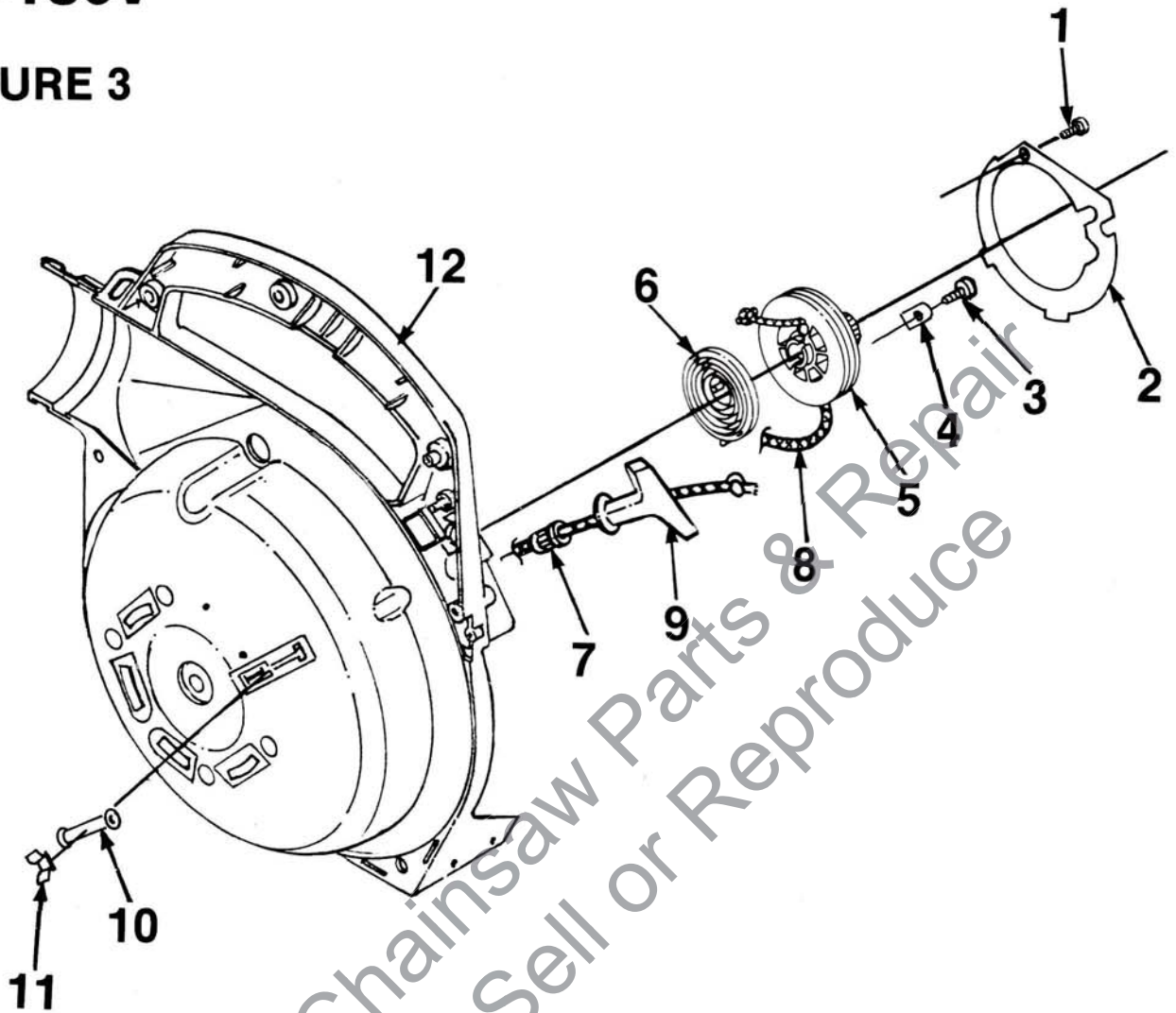
**PARTS LIST - FIGURE 2**

NO.	PART NO.	DESCRIPTION	QTY.	NO.	PART NO.	DESCRIPTION	QTY.
1	88060	SCREW- Sems Hex Hd. (10-24 x 2 1/2)	2	30	A-00256	PISTON & ROD ASSEMBLY (UT08007 & UT08008)	1
2	A-00366	COVER- Muffler	1		A-00239	PISTON & ROD ASSEMBLY (UT08009 & UT08010)	1
3	00381	WASHER- Insulating	1			Includes:	
4	84117	WASHER- Flat	1	31	96935	RING- Piston	1
5	00387	SPRING- Compression	1	32	98758-4	CRANKSHAFT (UT08007 & UT08008)	1
6	00777	DEFLECTOR- Muffler	1		98758-3	CRANKSHAFT (UT08009 & UT08010)	1
7	98860	SPACER- Muffler	2	33	69250	KEY- Woodruff	1
8	00388-A	SCREEN- Spark arrestor	1	34	A-00107	CRANKCASE ASSEMBLY	1
9	98783	PLATE- Reinforcing	1			Includes:	
10	98781	BODY- Muffler	1	35	98800	SEAL- Shaft	1
11	00394	GASKET- Muffler	1	36	98797	BEARING- Ball	1
12	A-00108	CYLINDER	1	37	98799	RING- Retaining	1
13	96169-S	SPARK PLUG	1	38	98798	BEARING- Ball	1
14	00775	GASKET- Heat dam	1	39	94711-A	MODULE- Ignition	1
15	98768	HEAT DAM	1	40	82509	SCREW- Thd forming 8-32 x 1	2
16	82510	SCREW (T-25 Torx)	2	41	A-95007	ROTOR & STARTER PAWL	1
17	98766	GASKET- Carburetor	1			Includes:	
18	A-00378	CARBURETOR (WT-80) Walbro	1	42	A-70285-D	STARTER PAWL KIT	1
	A-00382	CARBURETOR (CIU-H11) Zama	1	43	00377	ADAPTER- Fan	1
19	A-00110	BOX- Air filter	1	44	84065	WASHER- Flat 5/16	1
20	98942	DECAL- Choke/Run	1	45	98792	BUMPER- Rubber	3
21	82507	SCREW- Thread Forming	2	46	A-00098-A	TANK- Fuel	1
22	98760	AIR FILTER	1			Includes:	
23	98761	COVER- Air filter	1	47	49422	FILTER- Fuel	1
24	82368	SCREW- Thread forming 8-16 x 3/4	2	48	94772-24	TUBING- Rubber	1
25	98754-A	COVER- Crankcase	1	49	A-00099	FUEL CAP ASSEMBLY	1
26	98752	CLAMP	1			Includes:	
27	82508	SCREW- Thd forming #10-24 x 3/4	8	50	98819	VALVE- Duck Bill	1
28	98764	GASKET- Cylinder	1	51	98913	FILTER	1
29	98767	GASKET- Crankcase	1	52	98805	GASKET- Fuel cap	1
				53	81208	NUT	2

Leon's Chainsaw Parts & Repairs  
Do Not Sell Or Reproduce

**HB-180  
HB-180V**

**FIGURE 3**



**PARTS LIST - FIGURE 3**

NO.	PART NO.	DESCRIPTION	QTY.
1	82528	SCREW- Thread Forming (#6-19 x 3/4 lg.)	1
2	00374	PLATE- Rotor	1
3	82511	SCREW- Thd forming 10 x 1/2	1
4	98791	BRACKET- Retaining	1
5	98770	PULLEY- Starter	1
6	A-98773	SPRING & CONTAINER	1
7	A-97796	BUSHING- Starter	1
8	97899	ROPE- Starter 46"	1
9	70211	GRIP- Starter rope	1
10	00364	BUSHING- Starter rope	1
11	00379	CLIP- Retainer	1
12	00315	HOUSING- Volute (inner)	1

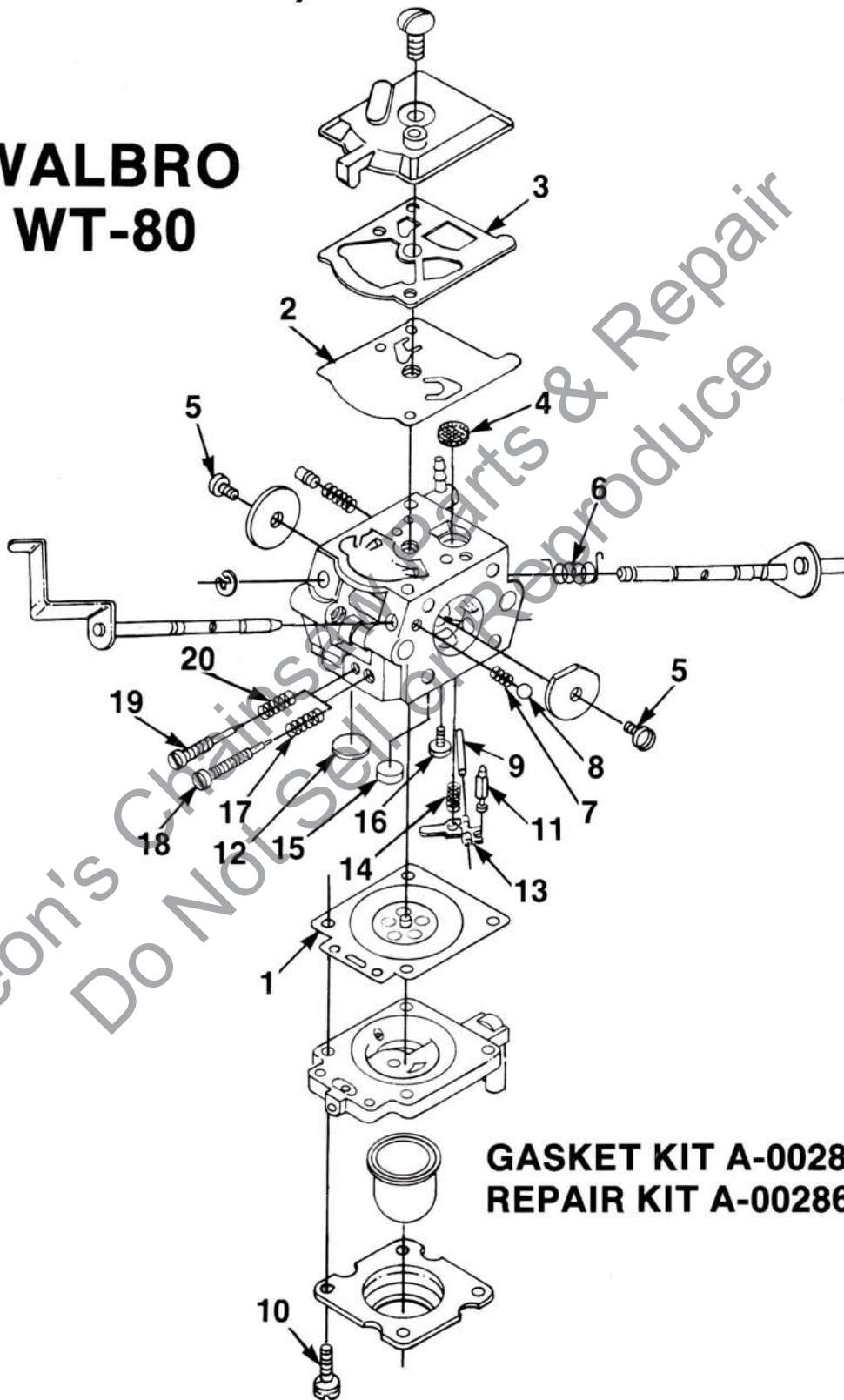
# CARBURETORS

**HB-180**  
**HB-180V**

A-00378 (WALBRO WT-80)  
A-00382 (ZAMA CIU-H11)

**FIGURE 4**

**WALBRO**  
**WT-80**



**GASKET KIT A-00285 (1-3)**  
**REPAIR KIT A-00286-A (4-20)**

## HEADQUARTERS

### HOMELITE DIVISION OF TEXTRON INC.

P.O. BOX 7047  
14401 CAROWINDS BOULEVARD  
CHARLOTTE, N.C. 28241

## OVERSEAS OFFICES

**HOMELITE DIVISION OF TEXTRON INC.**  
Koreenaarstraat 1  
2153 BM Nieuw Vennep  
The Netherlands

**HOMELITE DIVISION OF TEXTRON LTD.**  
Unit 22, Hither Trading Estate  
Clevedon, Avon, U.K. BS21 6XU

**HOMELITE DIVISION OF TEXTRON INC.**  
Pacific Limited  
P.O. BOX 209  
Blackburn, 3130  
Victoria, Australia

## CANADIAN OFFICES

**HOMELITE DIVISION OF TEXTRON INC.**  
1850 55th Avenue  
Lachine, Quebec, Canada  
H8T-3J5

3260 Viking Way  
Richmond, British Columbia  
V6V 1N6

16520, 111th Avenue  
Edmonton, Alberta  
T5M 3V8

37 Densley Avenue  
Toronto, Ontario  
M6M 2P5

45 Brandon Street  
Moncton, New Brunswick  
E1C 7E7

07821

# HOMELITE **TEXTRON**

Homelite Division of Textron Inc.