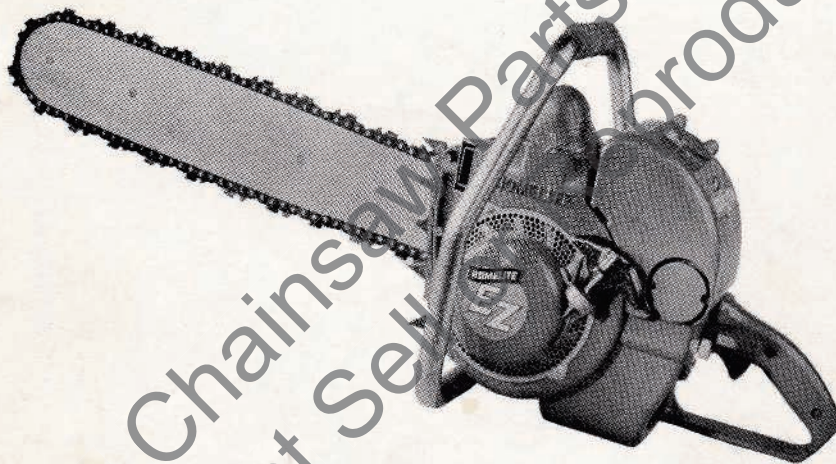


# PARTS LIST

## MODEL EZ HOMELITE CHAIN SAW



**Gasoline-Engine-Driven**

# HOMELITE

a division of Textron American, Inc.

PORT CHESTER, N. Y.

# SAW PARTS

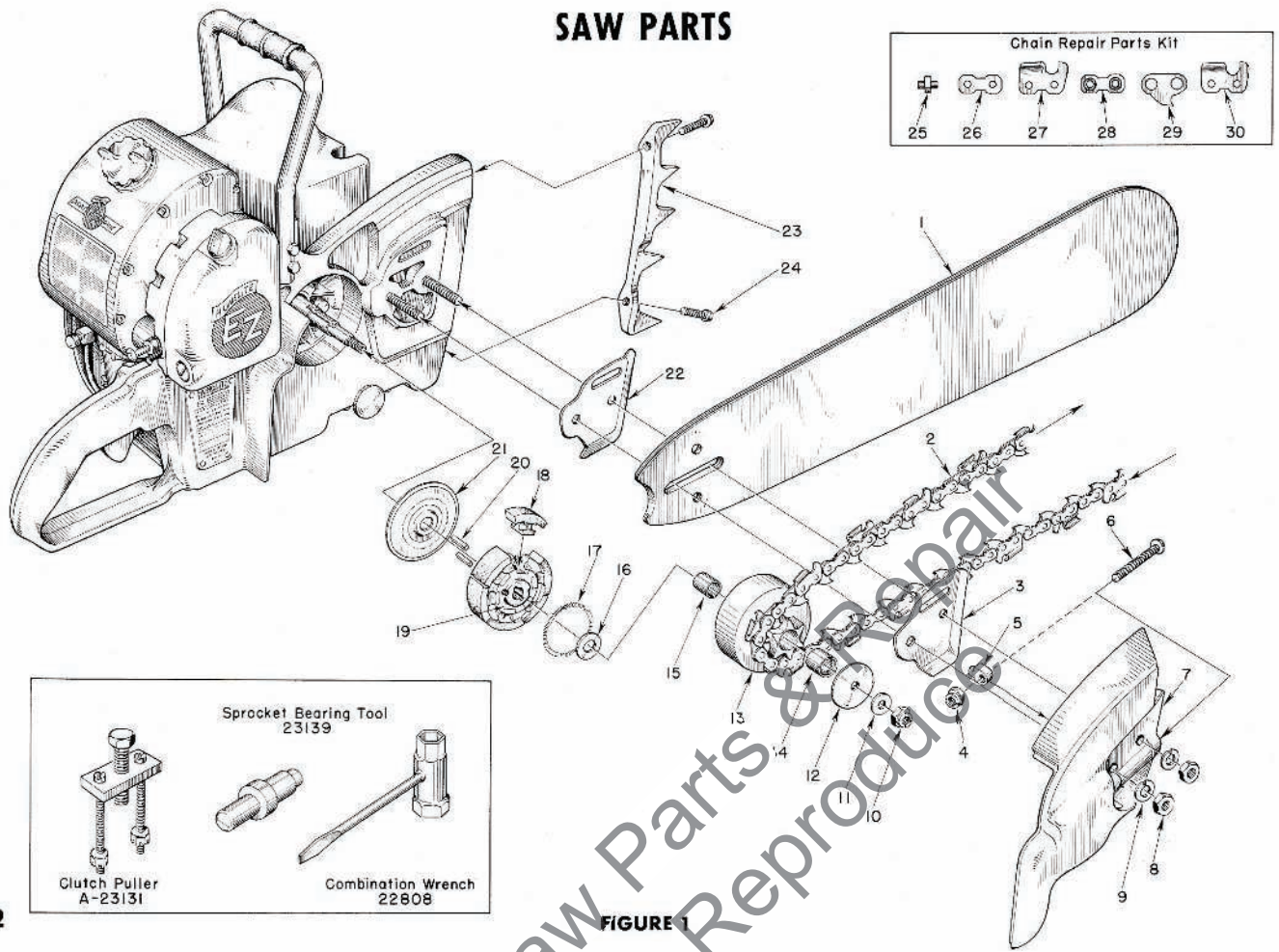


FIGURE 1

## HOMELITE CHAIN SAW MODEL EZ

### PARTS LIST FOR FIGURE 1

Index No.	Part No.	Nomenclature	No. Required
1	A-51545	12" BAR—extra hard tip—hard track	1
	A-51517	17" BAR—extra hard tip—hard track	1
	A-51521	21" BAR—extra hard tip—hard track	1
	A-51525	25" BAR—extra hard tip—hard track	1
	A-51539	30" BAR—extra hard tip—hard track	1
2	A-51542	12" CHAIN— # 62C with kit	1
	A-51535	17" CHAIN— # 62C with kit	1
	A-51536	21" CHAIN— # 62C with kit	1
	A-51537	25" CHAIN— # 62C with kit	1
	A-51540	30" CHAIN— # 62C with kit	1
3	55667	PLATE—guide bar, outer	1
	A-55668	COVER—drive case Composed of	1
4	81123	NUT—hex lock	1
5	55613	PIN—guide bar adjusting	1
6	80617	SCREW—5/16—18 x 2 rd. hd.	1
7		COVER	1
8	81089	NUT—3/8—16 hex	2
9	83018	WASHER—lock	2
10	81116	NUT—3/8—24 flex-lock	1
11	84010	WASHER—3/8 flat	1
12	55163-1	WASHER—thrust	1

Index No.	Part No.	Nomenclature	No. Required
13	A-55662	SPROCKET and DRUM (for 7/16 pitch chain)	1
14	55664	BEARING—needle (included in A-55662)	1
15	55661	RACE—inner	1
16	55660	WASHER—thrust	1
	AA-55124-1	CLUTCH Composed of	1
17	55123	SPRING—clutch	2
18	55076-1	SHOE—clutch	6
19	55075	SPIDER—clutch	1
20	55225	KEY	2
21	55659-A	COVER—clutch	1
22	55666	PLATE—guide bar, inner	1
23	55632	PLATE—spiked bumper	1
24	80573	SCREW—1/4-20 x 13/16 hex. hd.	2
	A-51529	REPAIR KIT— # 62C chain Includes	1
25	51518	RIVET	4
26	A-51528	LINK—connecting (w/rivets)	2
27	51526	CUTTER—right	1
28	51519	LINK—connecting (plain)	2
29	51520	LINK—drive	1
30	51527	CUTTER—left	1

\*Not Sold Separately

**HOMELITE**

# FUEL SYSTEM

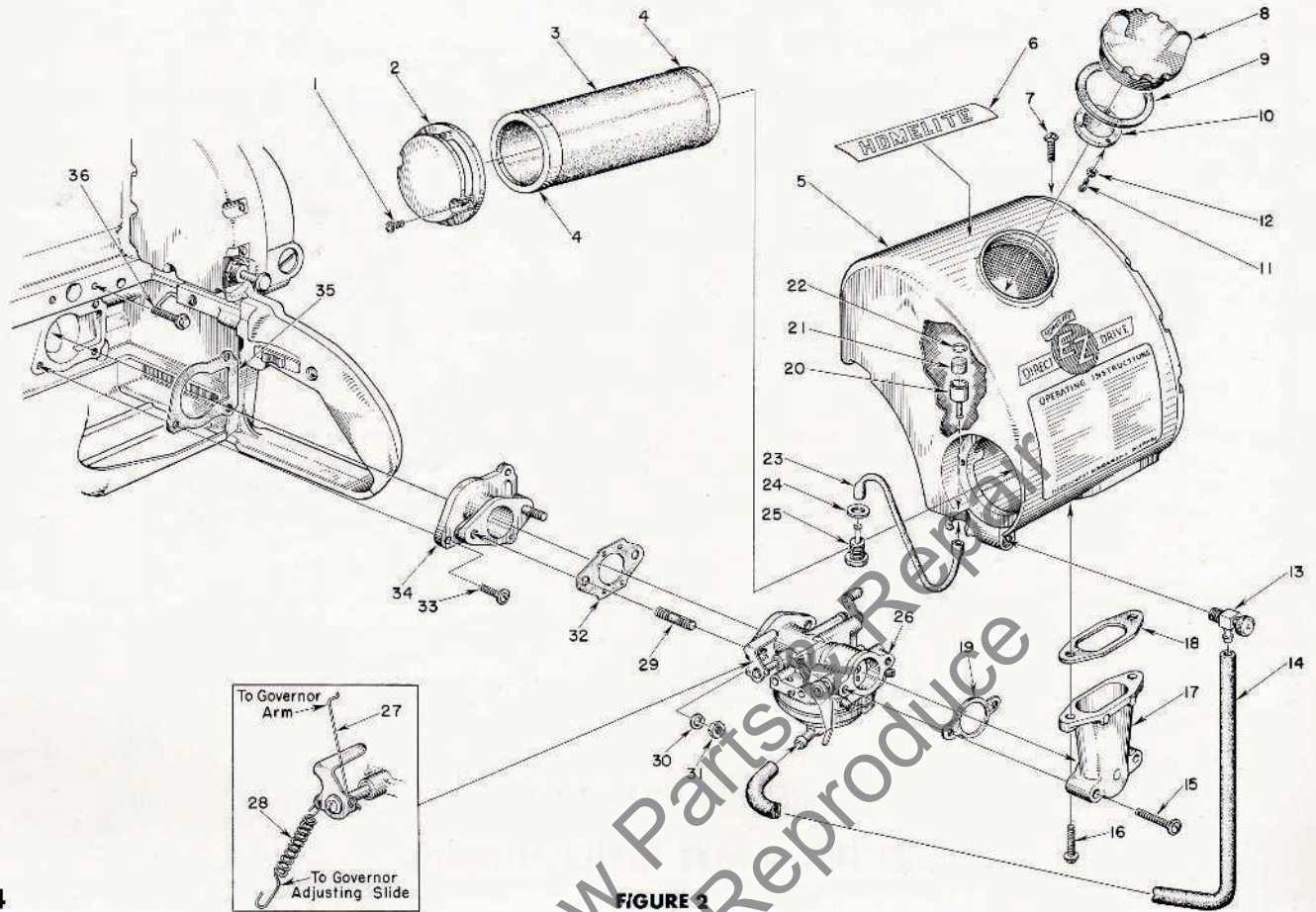


FIGURE 2

## HOMELITE CHAIN SAW MODEL EZ

### PARTS LIST FOR FIGURE 2

Index No.	Part No.	Nomenclature	No. Required
1	80571	SCREW—6-32 x 3/8 pan hd.	2
2	55494	CAP—air filter	1
3	A-55533	AIR FILTER Includes	1
4	55532	GASKET (cemented to element)	2
5	A-55670	FUEL TANK Includes	1
6	55818	DECAL (Homelite)	1
	55816	DECAL (Starting Instructions)	1
7	80572	SCREW—10-32 x 5/8 pan hd.	1
8	A-55305	CAP—fuel Includes	1
9	72173	GASKET	1
10	A-55301-A	VALVE—relief	1
11	80592	SCREW—3-48 x 1/4 rd. hd.	3
12	83083	WASHER—lock	3
13	55677	VALVE—shut-off	1
14	55680	FUEL LINE	1
15	80624	SCREW—10-32 x 1 pan hd.	2
16	80572	SCREW—10-32 x 5/8 pan hd.	2

Index No.	Part No.	Nomenclature	No. Required
17	55019-1	ADAPTER—air cleaner	1
18	55059	GASKET—adapter	1
19	72971-1	GASKET—air elbow	1
20	A-74375	STRAINER—outlet Includes	1
21	74374	FILTER—felt	1
22	74380	RING—snap	1
23	55805	SLEEVE—flexible	1
24	55676	GASKET—outlet fitting	1
25	55572	FITTING—outlet	1
26		CARBURETOR (See Figure 3 for breakdown)	1
27	55642	ROD—governor	1
28	55529	SPRING	1
29	27464	STUD	2
30	83009	WASHER—lock	2
31	81013	NUT—1/4-20 hex	2
32	55553	GASKET—carburetor	1
33	80583	SCREW—10-32 x 3/4 pan hd.	3
34	A-55679-A	REED VALVE ADAPTER	1
35	55116	GASKET—reed valve adapter	1
36	80581	SCREW—1/4-20 x 3/8 hex hd.	2

# CARBURETOR PARTS

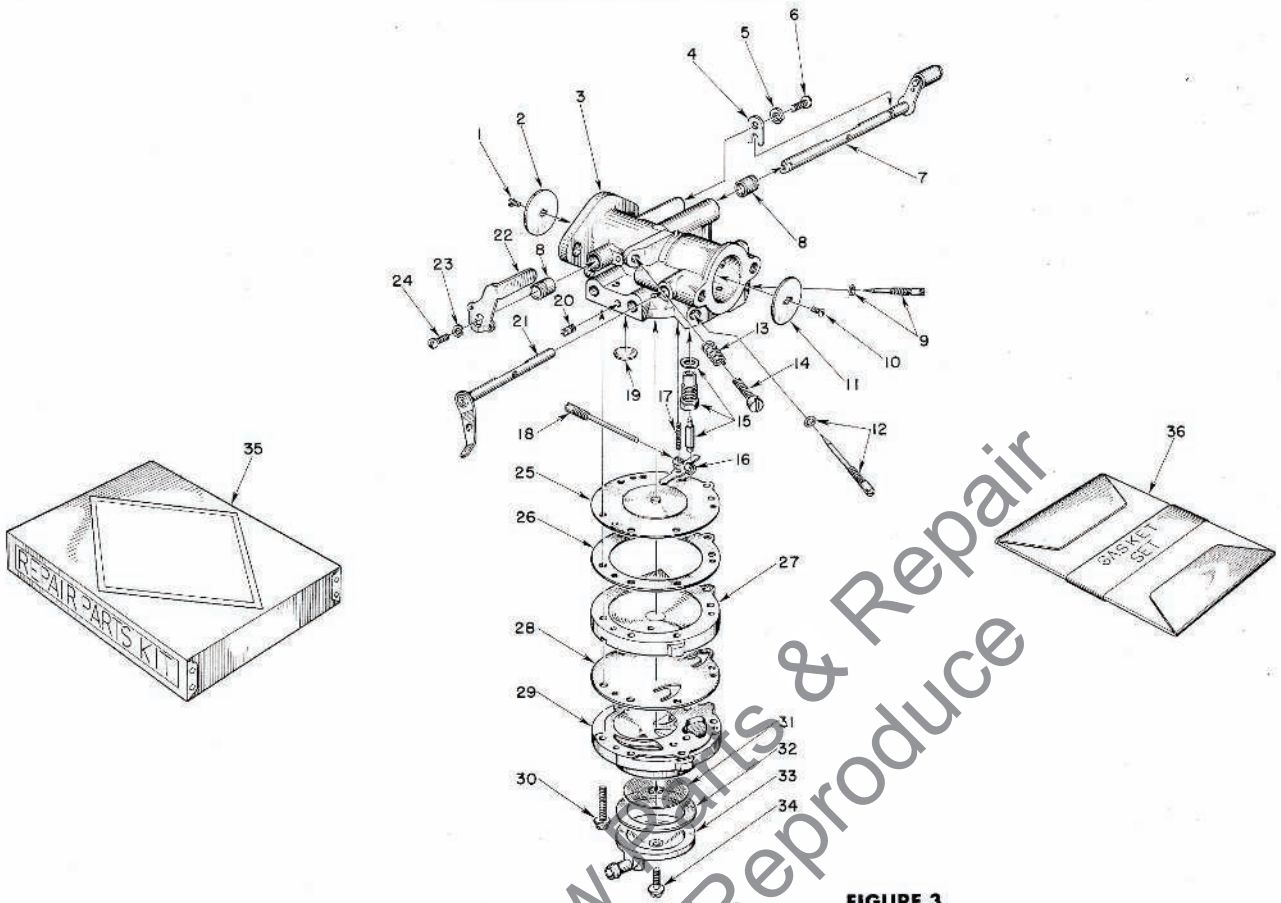


FIGURE 3

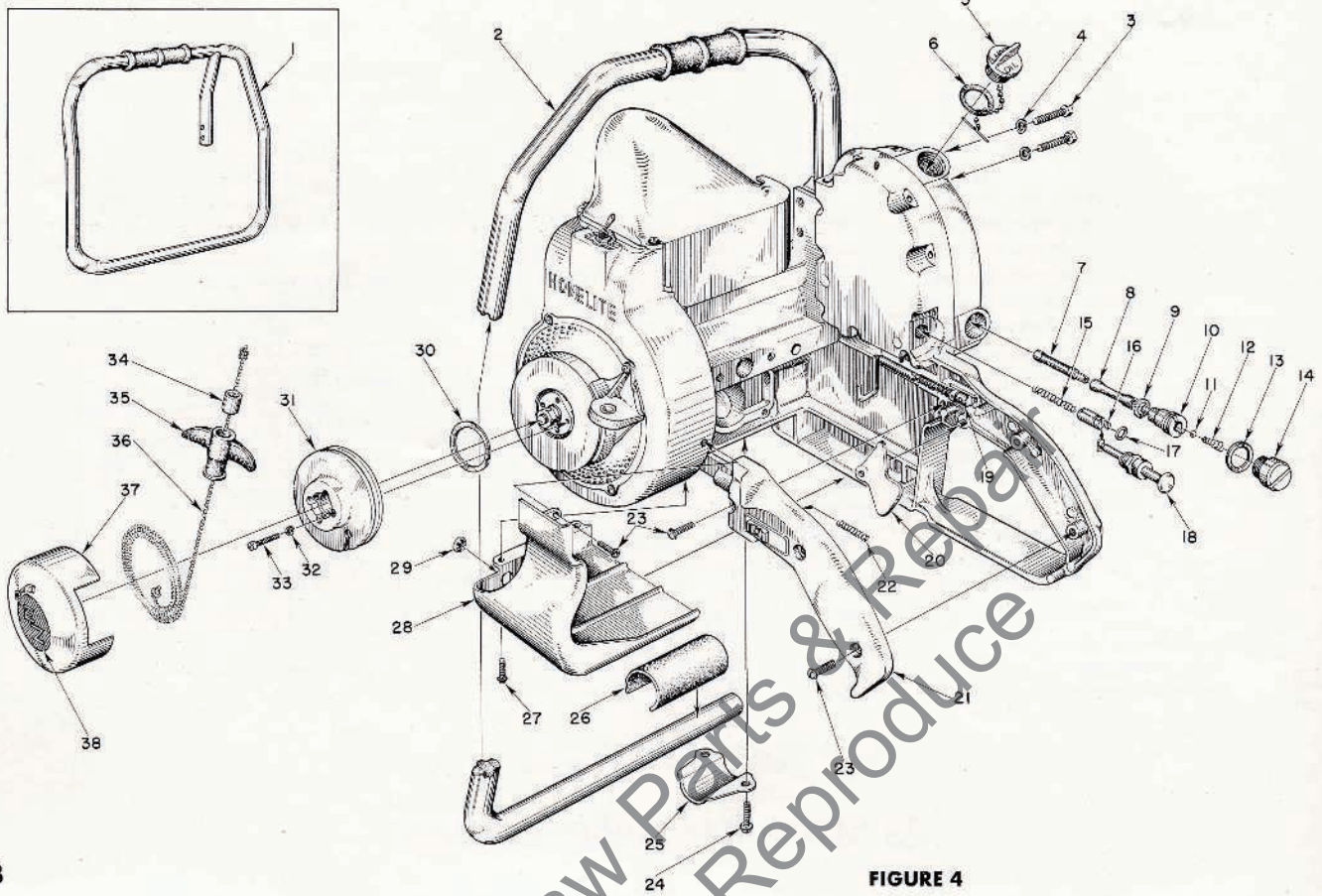
## HOMELITE CHAIN SAW MODEL EZ

### PARTS LIST FOR FIGURE 3

Index No.	Part No.	Nomenclature	No. Required	Index No.	Part No.	Nomenclature	No. Required
	A-55610	CARBURETOR	1		55344	GASKET—inlet seat	1
		Composed of		16	†55747	LEVER—inlet control	1
1	†71519	SCREW—throttle shutter	1	17	†55759	SPRING—control lever	1
2	73272	SHUTTER—throttle	1	18	†A-55762	SCREW—pinion	1
3	A-55769	BODY—service	1	19	30818	PLUG	1
4	73086	CLIP—throttle shaft	1	20	28091	PLUG—drain	1
5	83000	WASHER—lock #8	1	21	A-55766	LEVER—choke	1
6	73088	SCREW—8-32 x 5/16 flat hd.	1	22	55694	LEVER—throttle stop	1
7	A-55765	SHAFT—throttle	1	23	†71522	WASHER—lock #4	1
8	72812	BUSHING—throttle shaft	2	24	†71521	SCREW—4-36 x 1/4 rd. hd.	1
9	†A-55768	SCREW—main adjustment (high speed)	1	25	†A-55760	DIAPHRAGM—Main	1
		Includes		26	55754	GASKET—Main Diaphragm	1
	55764	"O"-ring	1	27	55749	COVER—Main Diaphragm	1
10	28049	SCREW—choke shutter	1	28	†55753	DIAPHRAGM—Pump	1
11	73263	SHUTTER—choke	1	29	55748	BODY—pump	1
12	†A-55767	SCREW—idle adjustment (low speed)	1	30	55316	SCREW and WASHER	6
		Includes		31	†55752	SCREEN—fuel strainer	1
	55764	"O"-ring	1	32	55751	GASKET—Pump Cover	1
13	†28064	SPRING—idle stop screw	1	33	55750	COVER—pump	1
14	†71509	SCREW—idle stop (speed control)	1	34	55756	SCREW—retaining	1
15	†A-55761	INLET NEEDLE and SEAT	1	35	55837	REPAIR PARTS KIT	1
		Includes		36	†55836	GASKET SET	1

† Included in 55837 Repair Parts Kit

# STARTER, HANDLE, PISTOL AND GRIP PARTS



8

FIGURE 4

## HOMELITE CHAIN SAW MODEL EZ

### PARTS LIST FOR FIGURE 4

Index No.	Part No.	Nomenclature	No. Required
1	A-55808	HANDLE—wrap around	1
2	A-55683	HANDLE—flush-cut	1
3	80087	SCREW—5/16-18 x 1 1/2 hex hd.	2
4	83003	WASHER—lock, 5/16	2
5	AA-71655-1	CAP—oil	1
		Includes	
6	72280	GASKET	1
7	AA-55259-A	FINDER—oil	1
8	55133-A	SLEEVE—flexible oil	1
9	55110	GASKET	1
10	55109-A	FITTING—check valve	1
11	25527	BALL (5/32 dia.)	1
12	55288-A	SPRING	1
13	55107	GASKET	1
14	A-55628	CAP—supply line	1
15	71762	SPRING	1
16	A-74406	TUBE—plunger	1
		Includes	
17	74388	"O" ring	1
18	71764	BUTTON—plunger	1
19	A-55630	ROD—throttle	1
		Includes	
	55045-A	SPRING—throttle rod	1

Index No.	Part No.	Nomenclature	No. Required
20	AA-55207	TRIGGER—throttle	1
21	A-55631	COVER—grip	1
		Includes	
	AA-55282	LOCK—throttle	1
		Includes	
22	72970	SPRING—throttle lock	1
23	80560	SCREW—8-32 x 1/2 pan hd.	5
24	80581	SCREW—1/4-20 x 5/8 hex hd.	2
25	55614	CLAMP—handle bar	1
26	55685	CUSHION—rubber	1
27	80625	SCREW—10-32 x 1/2 pan hd.	2
28	A-55682	SHIELD—carburetor	1
		Includes	
29	55681	PLUG—button	1
30	71588	SHIM—plastic	As req'd
31	A-55658	PULLEY (Includes 71577 pin)	1
32	83004	WASHER—lock #6	4
33	80475	SCREW—6-32 x 3/4 fil. hd.	4
34	55369-A	INSERT	1
35	71149-B	GRIP—starting	1
36	55732	ROPE—starting	1
37	AA-73234-4	COVER—starting pulley	1
38	†55817	DECAL ("Homelite EZ")	1

† Also used on Oil Reservoir Cover

HOMELITE

# BALL DRIVE AND AIR SHROUD

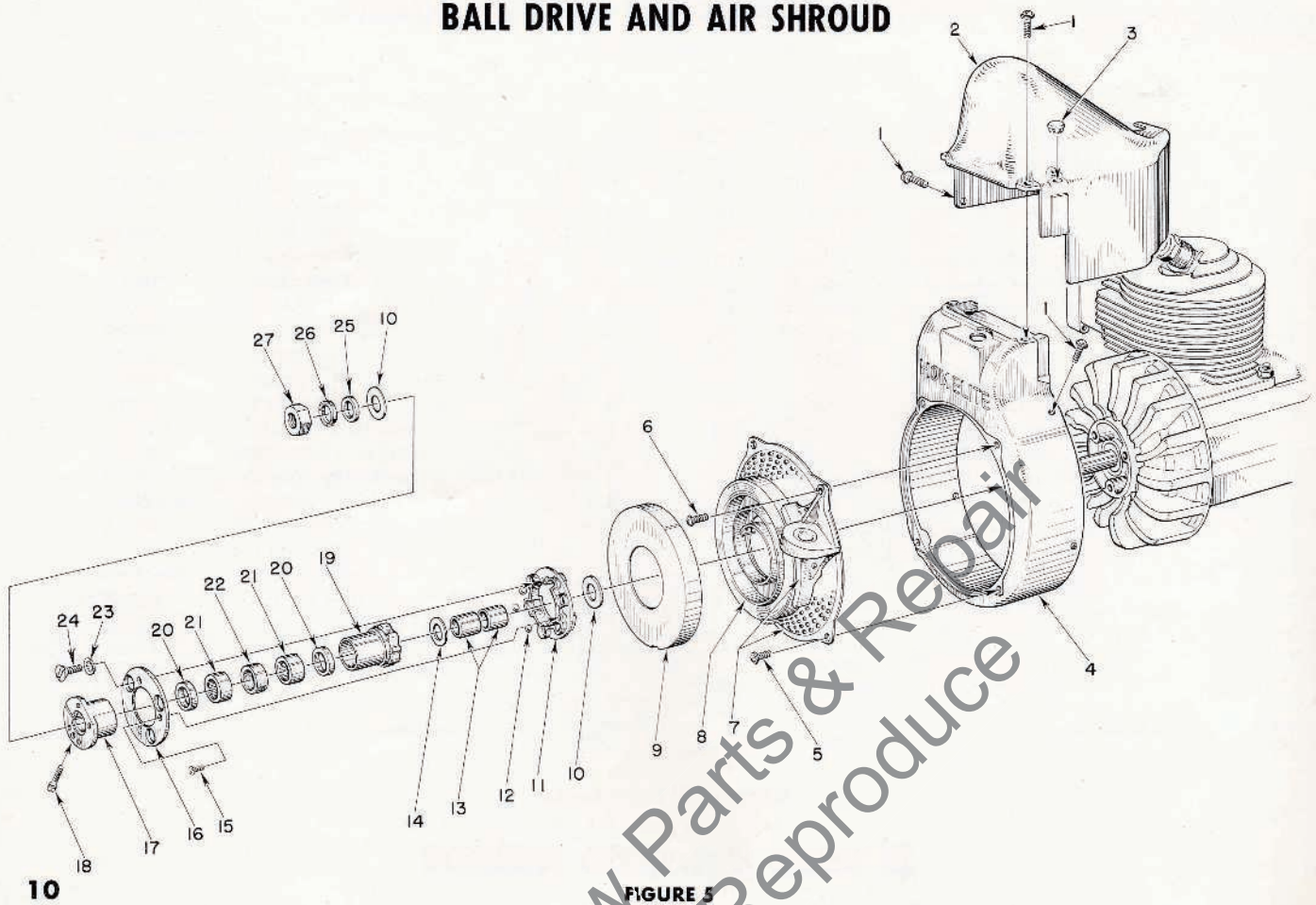


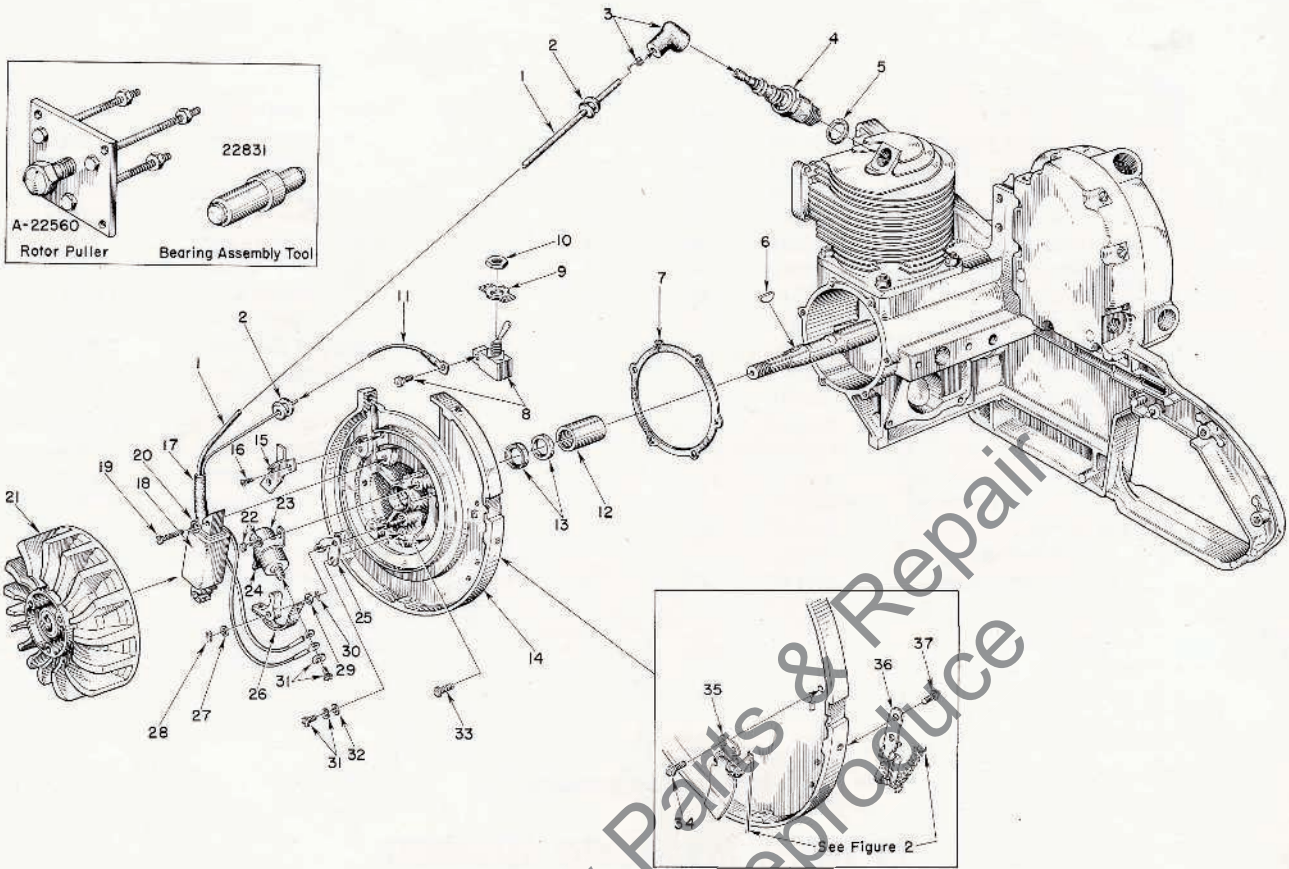
FIGURE 5

## HOMELITE CHAIN SAW MODEL EZ

### PARTS LIST FOR FIGURE 5

Index No.	Part No.	Nomenclature	No. Required	Index No.	Part No.	Nomenclature	No. Required
1	80577	SCREW—8-32 x 3/8 pan hd.	7	13	74221	RACE—inner	2
2	55015-1	SHIELD—cylinder	1	14	73525	WASHER—ratchet	1
3	32814	PLUG—button	1	15	80464	SCREW—5-40 x 5/16 flat hd.	3
4	A-55650	SHROUD—air	1		AA-72307	RATCHET and HUB	1
5	80579	SCREW—10-32 x 3/8 pan hd.	3			Composed of	
6	80576	SCREW—10-32 x 9/16 (through bracket)	1	16	71570-B	RETAINER—ball	1
7	A-55654	SCREEN and BRACKET	1	17	71579-1	HUB—ratchet	1
		Includes		18	72295	SCREW—ratchet hub	1
	85073	RIVET—tubular	2		AA-72306	RATCHET and BEARING	1
	A-55656	BRACKET and BUSHING	1			Composed of	
		Includes		19	71565-1	RATCHET	1
	55363-A	BUSHING	1	20	71597	SEAL—garlock	2
8	71470-A	SPRING—recoil	1	21	71596	BEARING—needle	2
9	71603	COVER—spring housing	1	22	71595	WICK—felt	1
10	55652	WASHER—thrust	2	23	83074	WASHER—lock, countersunk 1/4	3
	AA-72308-1	BALL DRIVE	1	24	80173	SCREW—1/4-20 x 3/8 flat hd.	3
		Composed of		25	84055	WASHER—flat aluminum, 7/16	1
11	71563-C	PLATE—ball drive	1	26	83019	WASHER—lock, 7/16	1
12	30355-1	Ball—steel	3	27	81110	NUT—7/16-20 hex-jam	1

# IGNITION AND GOVERNOR PARTS



12

FIGURE 6

## HOMELITE CHAIN SAW MODEL EZ

### PARTS LIST FOR FIGURE 6

Index No.	Part No.	Nomenclature	No. Required	Index No.	Part No.	Nomenclature	No. Required
1	55695	LEAD—high tension	1	19	30270	SCREW—coil core	2
2	60929	GROMMET	2	20	83046	WASHER—lock	2
3	A-55373	TERMINAL (Sparky)	1	21	55590	ROTOR—magneto	1
4	71530	SPARK PLUG (HO-8A)	1	22	30261	SCREW UNIT—8-32 x 5/16 pan hd.	1
5	25038	GASKET (included with spark plug)	1	23	55399	CONDENSER	1
6	75078	KEY—rotor	1	24	30267	WICK—felt	1
7	55049	GASKET—back plate	1		A-55402	POINTS (set)	1
8	AA-72094-A	SWITCH—toggle	1			Composed of	
		Includes		25	*	PLATE—fixed contact	1
9	55879	PLATE (on-off)	1	26	*	BREAKER ARM	1
10	72084-A1	NUT—hex	1	27	28003	WASHER—breaker arm	1
11	55696	LEAD—ground	1	28	28008	LOCK—spring	1
	A-55790	PLATE—back	1	29	55412	WASHER—contact plate	1
		Composed of		30	30268	WASHER—point aligning	as req'd
12	55204	BEARING NEEDLE	1	31	55411	SCREW UNIT—6-32 x 5/16	2
13	71597	SEAL—garlock	2	32	72484	WASHER—fixed contact plate screw	1
14	*	PLATE—back w/pivot	1	33	80576	SCREW—10-32 x 9/16 pan hd.	6
15	55595	CLAMP	1	34	80605	SCREW—6-32 x 5/16 pan hd.	2
16	80598	SCREW—6-32 x 5/16 flat hd.	2	35	†A-55640	GOVERNOR VANE	1
17	55697	TUBING—plastic	1	36	‡A-55645	PLATE—governor adjusting	1
18	55403	COIL	1	37	80629	SCREW—8-32 x 5/16 pan hd.	2

\* Not supplied separately

† Governor rod not included in A-55640—See Figure 2

‡ Spring not included in A-55645—See Figure 2

HOMELITE

# ENGINE ASSEMBLY

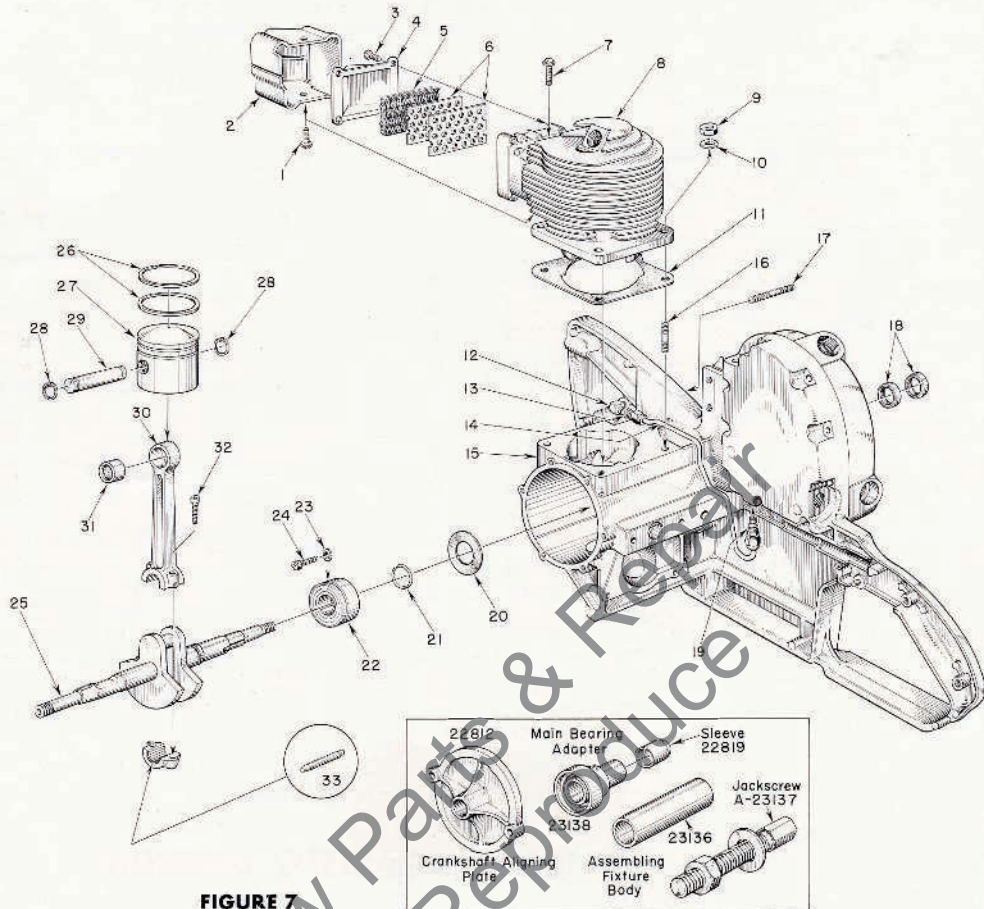


FIGURE 7

14

## HOMELITE CHAIN SAW MODEL EZ

### PARTS LIST FOR FIGURE 7

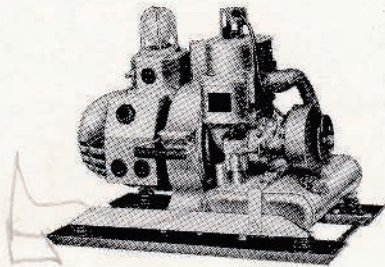
Index No.	Part No.	Nomenclature	No. Required	Index No.	Part No.	Nomenclature	No. Required
1	80625	SCREW—10-32 x 1/2 pan hd.	1	19	55372	PAD—felt	1
2	55506-2	DAMPER—heat	1	20	A-55824	VALVE—check	1
3	80630	SCREW—6-32 x 1/2 pan hd.	4	21	55048	GASKET—crankcase sealing	1
4	55507	CAP—exhaust	1	22	55047	RING—snap	1
5	55508	ELEMENT—muffler	1	23	55193	BEARING—main	1
6	55509	RETAINER—element	2	24	83061	WASHER—lock, special thin	2
7	80583	SCREW—10-32 x 3/4 pan hd.	1	25	19238-A	SCREW—main bearing retaining	2
8	55490	CYLINDER	1	26	55523	CRANKSHAFT	1
9	81065	NUT—hex 1/4-28	4	27	55537	RING—piston	2
10	83009	WASHER—lock, 1/4	4	28	55095	PISTON and PIN	1
11	55050-A	GASKET—cylinder	1			Includes	
12	31734	ELBOW—connector, 90°	1	29	55095	RING—piston pin retaining	2
13	31733-1	ADAPTER—straight	1	30	*	PIN—piston	1
14	A-556215	LINE—chain oil	1	31	AA-55195	CONNECTING ROD	1
15	A-55835	CRANKCASE	1			Includes	
16	†71304	STUD—cylinder	4	32	55196	BEARING—piston pin	1
17	†55871	STUD—cylinder	4	33	80541	SCREW—8-32 x 1/2 allen cap	2
18	55623	STUD—guide bar	2		AA-55280	ROLLERS (set)	1
	71597	SEAL—garlock	2			Composed of	
	*	PIVOT—throttle trigger	1		72256	ROLLER—needle	27

\* Not supplied separately

† Use one or the other depending on EZ serial number

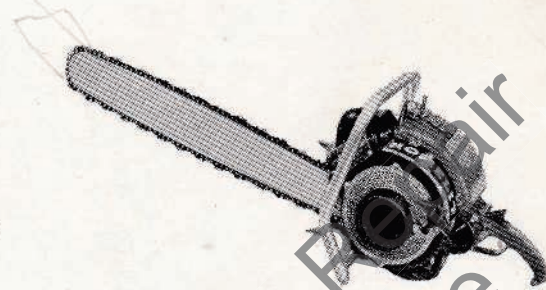


# HOMELITE *Carryable* PRODUCTS



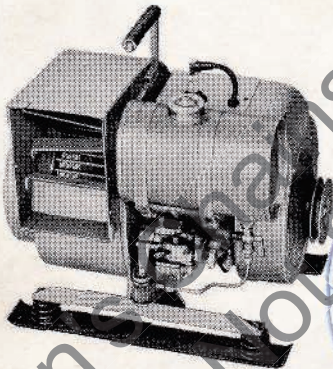
## GENERATORS

Alternating or Direct Current  
Gasoline-Engine-Driven  
Sizes: 1000 to 5000 watts  
Voltages: 6 to 220 volts  
Frequencies: 50 to 400 cycles



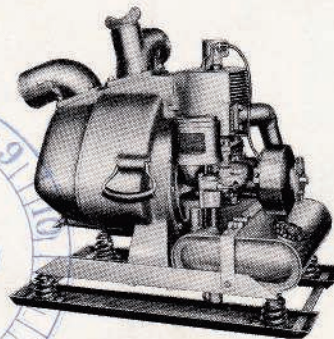
## CHAIN SAWS

Gasoline-Engine-Driven  
3 1/2 HP to 5 1/2 HP  
Straight Blade and Bows  
Brushcutters  
Clearing Attachments



## BLOWERS

Gasoline-Engine-Driven  
Capacities: 1500 CFM



## PUMPS

Diaphragm  
Self-Priming Centrifugal  
Gasoline-Engine-Driven  
Sizes: 1 1/2", 2", 3"  
Capacities: 5,500 to 15,000 gph

# HOMELITE

a division of Textron American, Inc.  
PORT CHESTER, N. Y., U.S.A.

Printed in U.S.A.

Part No. 23117  
40M-5-56

A TRUSPECTIVE Publication by  
The PURNELL COMPANY  
Boston, Mass.