

PART NO. 17304 REV. 1

Printed in U.S.A.

Price 35¢

Parts List

DM 50

HOMELITE®
Multi-Purpose
Saw

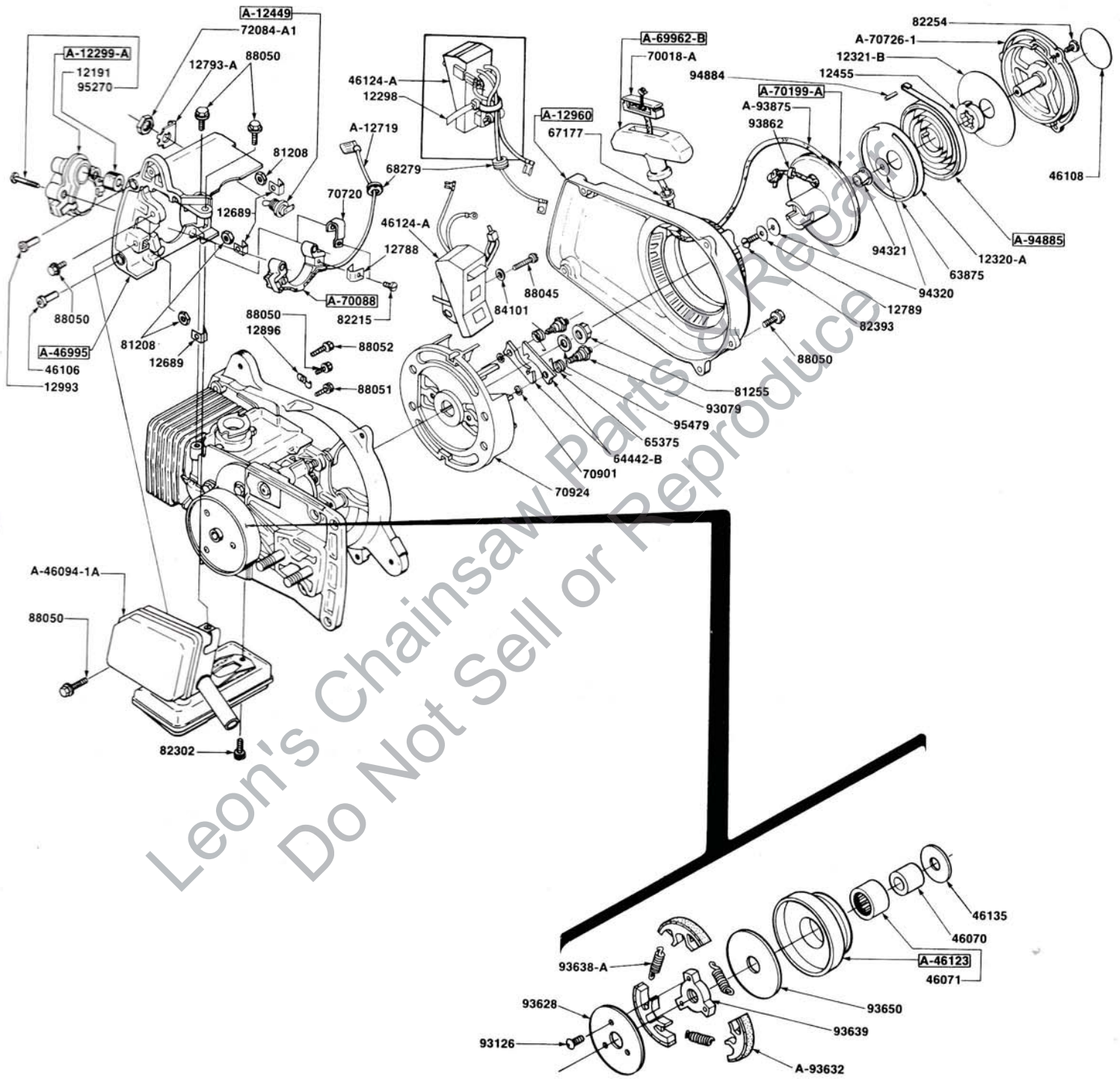


HOMELITE **TEXTRON**

Homelite Division of Textron Inc.

FIGURE 2

DM 50
Multi-Purpose Saw



ALWAYS FURNISH MODEL AND SERIAL NUMBER WHEN ORDERING PARTS.

NUMBERS IN BOXES ARE ASSEMBLIES. ASSEMBLY BREAKDOWNS ARE LISTED NUMERICALLY IN THE BACK OF THE BOOK.

DM 50
Multi-Purpose Saw

FIGURE 3

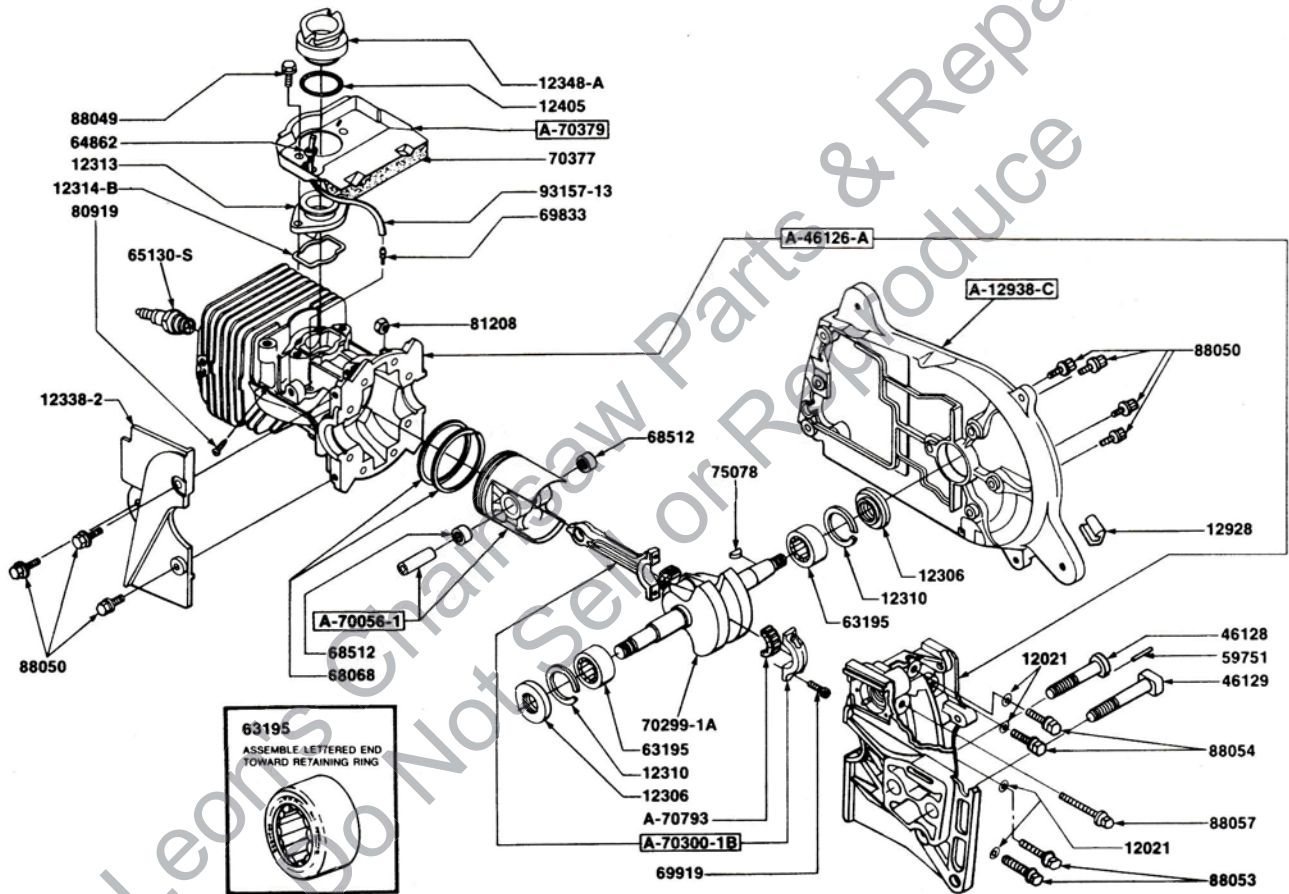
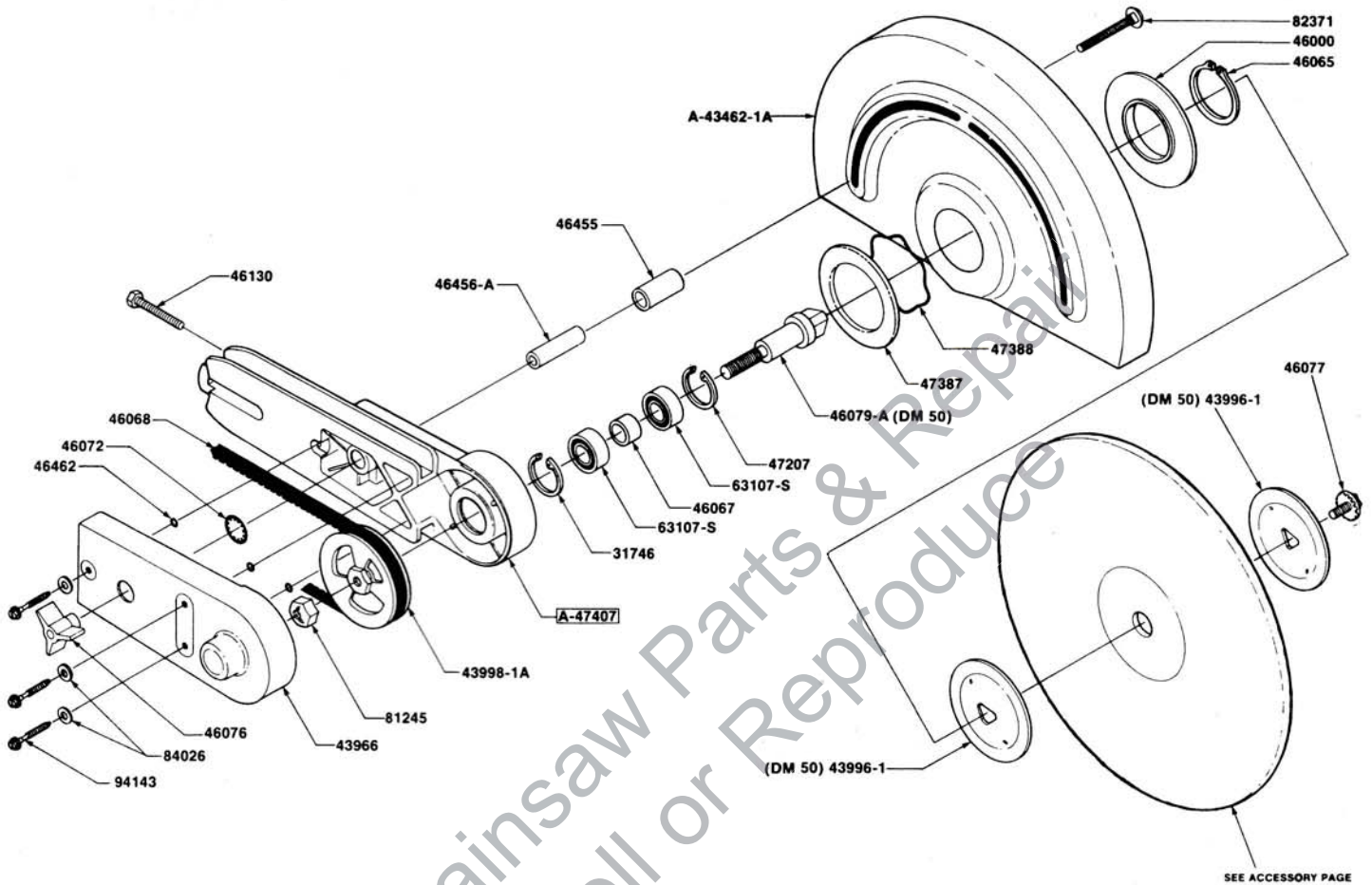
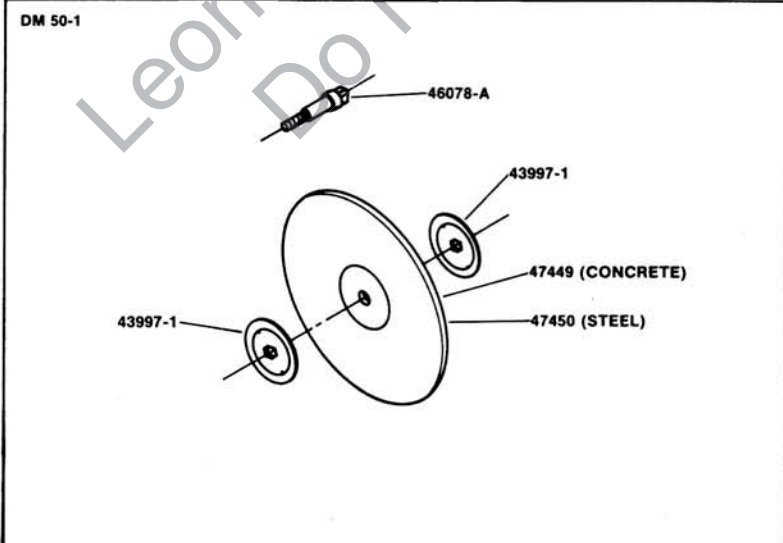


FIGURE 4

DM 50
Multi-Purpose Saw



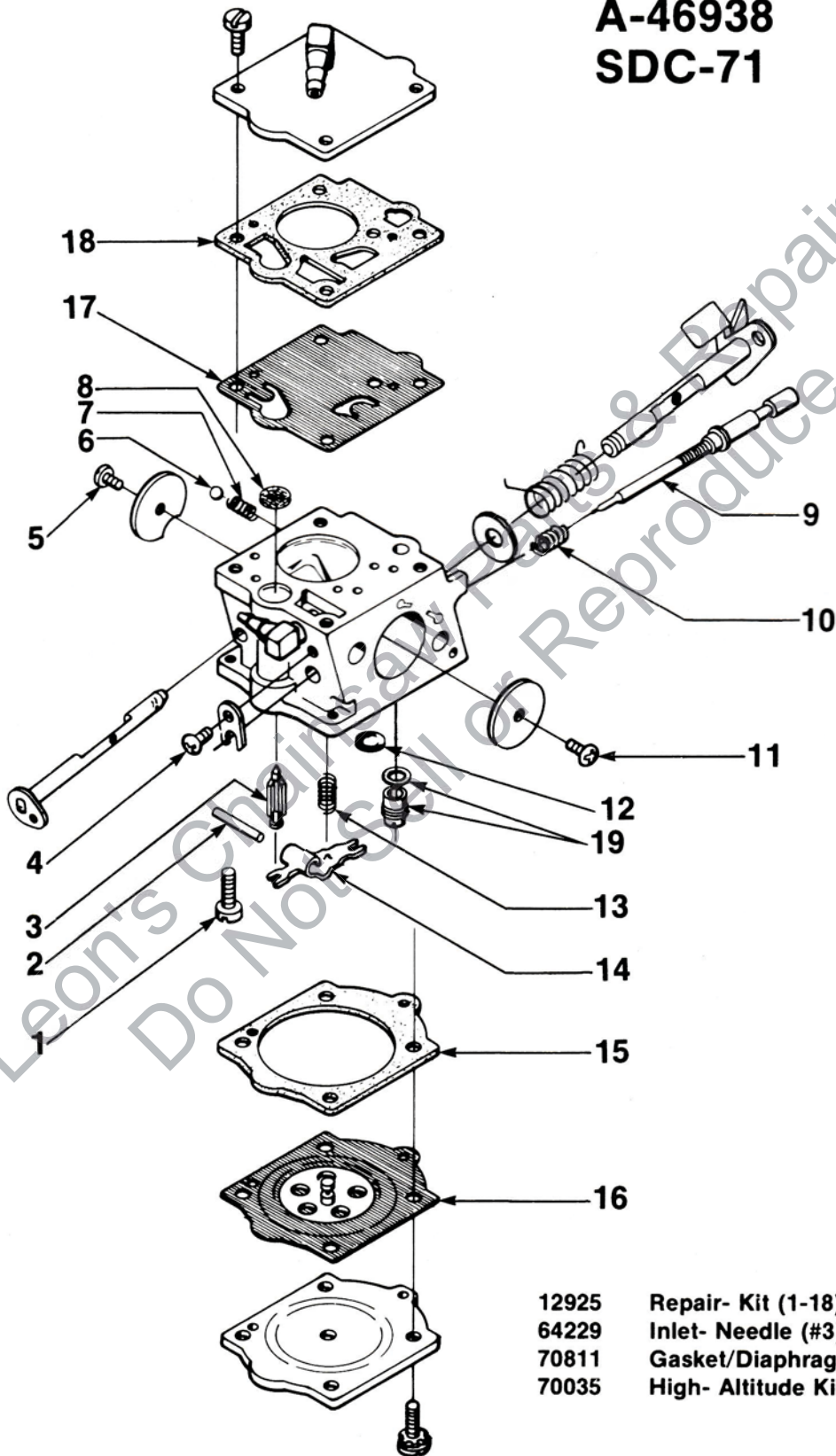
International Units Only (22 mm)



ALWAYS FURNISH MODEL AND SERIAL NUMBER WHEN ORDERING PARTS.

NUMBERS IN BOXES ARE ASSEMBLIES. ASSEMBLY BREAKDOWNS ARE LISTED NUMERICALLY IN THE BACK OF THE BOOK.

**CARBURETOR
A-46938
SDC-71**



- | | |
|-------|------------------------------|
| 12925 | Repair- Kit (1-18) |
| 64229 | Inlet- Needle (#3) |
| 70811 | Gasket/Diaphragm Kit (15-18) |
| 70035 | High- Altitude Kit (#19) |

DM 50

Multi-Purpose Saw

ACCESSORIES

CLUTCH TOOL	A-17146
WRENCH HEX SOCKET	22126
KEY- Hex	23528
ADHESIVE	70627
DC 4 COMPOUND	22636-B
SLEEVE- Seal protecting	23759
BRACKET- Rotor remover	A-24290
SHIM- Plastic	24853
TOOL & PLUNGER- Piston pin	A-24871
CD TEST LAMP	A-24994
WET CUTTING KIT	A-46477
WHEEL- Resinoid concrete (std.)	64596-BS
WHEEL- Resinoid concrete (DM 50-1 only)	47449
WHEEL- Resinoid Metal (opt.)	64597-BS
WHEEL- Resinoid Metal (DM 50-1 only)	47450
WHEEL- Resinoid Ductile (opt.)	68421-AS
BLADE- Carbide	64595-S
WRENCH- Combination	A-24085-A
SCREWDRIVER	24541
WRENCH- Socket	68651
KIT- Emergency	A-47305
KIT- Muffler spark arrestor	A-47323
ROPE- Starter (250' reel, #5)	57084-1
KIT- Pulse line	A-93072
Tubing- Rubber (10 ft.)	93112-99

PART NO.	DESCRIPTION	QTY.
12021	WASHER- Conical	4
12096	BUMPER (1)	2
12191	GROMMET	1
12298	CABLE- Tie	1
A-12299-A	TRANSFORMER & GROMMET	1
	Includes:	
12191	GROMMET	1
95270	SCREW- Mach. hex hd. (1)	2
12306	SEAL- Main	2
12310	RING- Retaining	2
12313	DUCT- Intake	1
12314-B	GASKET- Intake duct	1
12320-A	SHIELD- Spring (outer)	1
12321-B	SHIELD- Spring (inner)	1
12338-2	SHIELD- Sawdust	1
12340	SPACER	1
12346-2A	BRACE- Rear handle	1
12348-A	CONNECTOR- Carb.	1
12349	ROD- Choke	1
12350	ROD- Throttle	1
12351	COVER- Throttle handle	1
12352	TRIGGER	1
12405	SPRING- Garter	1
12410	GROMMET	1
12423	PIN- Choke lever	1
12440	SCREW- Set	1
12441	SPRING- Torsion	1
A-12449	SWITCH	1
	Includes:	
72084-A1	NUT- Hex	2
12454	SPRING	1
12455	LOCK- Spring	1
12461	PIN- Groove	1
12464-1	LOCK- Trigger	1
12620	LEVER- Choke	1
12689	NUT- Retainer	3
A-12719	MODULE- Lead	1
12783	SCREW- Idle adjusting	1
12784	SPRING- Idle adjusting	1
12788	CONTACT- Transformer	2
12789	WASHER- Retaining	1
12793-A	PLATE- Indicating	1
A-12803-A	SNUBBER- Rear	1
12860	NUT	2
12896	CLAMP- Wire	1
12925	KIT- Repair	1
12928	SNUBBER	1
A-12938-C	BACK PLATE & SNUBBER	1
	Includes:	
12928	SNUBBER- Back plate	1
A-12960	HOUSING- Starter	1
	Includes:	
67177	BUSHING- Starter cover	1
12993	BUSHING	1
*A-17146	TOOL- Clutch	1

PART NO.	DESCRIPTION	QTY.
*22126	WRENCH- Socket hd.	1
*22636-B	COMPOUND- DC 4	1
*23528	WRENCH- Hex	1
*23759	SLEEVE- Crankcase seal	1
*A-24085-A	WRENCH- Adjsuting	1
*A-24290	BRACKET- Rotor removal	1
*24541	SCREWDRIVER	1
*24853	SHIM- Plastic	1
*A-24871	TOOL- Plunger	1
*A-24994	LAMP- CD test	1
31746	RING- Retaining	1
A-43462-1A	GUARD- Wheel	1
43473-1	COVER- Air filter	1
43966	COVER- Arm	1
43996-1	FLANGE- Wheel (DM 50 only)	2
43997-1	FLANGE- Wheel (DM 50-1 only)	2
43998-1A	PULLEY- Driven	1
46000	WASHER- Mounting	1
46001	SUPPORT- Air filter	1
46065	WASHER- Retaining	1
46066	WASHER- Flat	1
46067	SPACER- Bearing	1
46068	BELT- V-drive	1
46070	RACE- Inner	1
46071	BEARING- Needle	1
46072	RING- Retaining	2
46073	ELEMENT- Air filter	1
46076	KNOB	2
46077	SCREW- Sems hex hd.	
	3/8-24 x 3/4	1
46078-A	SHAFT- Wheel (DM 50-1 only)	1
46079-A	SHAFT- Wheel (DM 50 only)	1
46081	SCREW- Cap hex soc.	
	10-24 x 3.625	2
46083-1	SUPPORT- Foot	1
A-46094-1A	MUFFLER	1
A-46099	BRACKET- Mounting	1
A-46103	HANDLE BAR & BRACE	1
	Includes:	
82246	SCREW- Cap soc. hd.	
	10-24 x 1	1
46106	BUSHING- Nylon	1
46108	DECAL	1
46110	GASKET	1
A-46112-3	TANK- Fuel	1
A-46116-1	COVER- Drivecase	1
A-46123	PULLEY- Bearing and drum	1
	Includes:	
46071	BEARING- Needle	1
46124-A	MODULE & CORE	1
A-46126-A	CRANKCASE & CYLINDER	1
	Includes:	
12313	DUCT- Intake	1
12314-B	GASKET- Intake duct	1
12348-A	CONNECTOR- Carb.	1
12405	SPRING- Garter	1
46128	BOLT- Arm	1
46129	BOLT- Arm	1
59751	PIN- Dowel	1
64862	GROMMET	1
69833	FITTING- Tube	1
A-70379	DEFLECTOR- Air	1
	Includes:	
70377	SEAL	1
80919	SCREW- 4-40 x 1/4	4
88049	SCREW- 10-24 x .500	1
93157-13	TUBING- Rubber 3 1/4"	1
46128	BOLT- Arm	1
46129	BOLT- Arm	1
46130	SCREW- Mach. hex hd. 5/16-18 x 2	1
46135	WASHER- Thrust	1
46455	TUBING- Rubber	1
46456-A	SPACER- Guard adjusting	1
46462	"O" RING	3
*A-46477	KIT- Wet cutting	1
46786	COVER- Felt element	1
46787	WASHER	1
A-46938	CARBURETOR- (SCD-71)	1
46943-01	STRIP- Protective 2.12	1
46943-02	STRIP- Protective 3.38	1
A-46995	SHIELD- Cylinder	1
	Includes:	
12993	BUSHING	1
46106	BUSHING- Nylon	1
47207	RING- Retaining	1

DM 50

Multi-Purpose Saw

PART NO.	DESCRIPTION	QTY.
*A-47305	KIT- Emergency	1
*A-47323	KIT- Muffler spark arrestor	1
47387	SHIM	1
47388	SPRING- Wave	1
A-47407	ARM- Wheel	1
	Includes:	
47387	SHIM	1
47388	SPRING- Wave	1
*47449	WHEEL- Resinoid (DM 50-1 only) Con.	1
*47450	WHEEL- Resinoid (DM 50-1 only) Met.	1
*57084-1	ROPE- Starting (250' reel, #5)	1
A-59251	PICK UP- Fuel	1
	Includes:	
59253-1	ELEMENT- Felt filter	1
59751	PIN- Dowel	1
63107-S	BEARING- Ball	3
63195	BEARING- Roller	2
63875	RING- Retaining	1
64229	NEEDLE- Inlet	1
64442-B	PAWL- Starter	2
*64595-S	BLADE- Carbide	1
*64596-BS	WHEEL- Resinoid (DM 50 only) Con.	1
*64597-BS	WHEEL- Resinoid (Metal)	1
64862	GROMMET	1
65130-S	SPARK PLUG	1
65375	SPRING- Starter pawl	2
67177	BUSHING- Starter cover	1
68068	RING- Piston	2
68279	GROMMET	1
*68421-AS	WHEEL- Resinoid (Ductile)	1
68512	BEARING	2
68548	PIN- Trigger	1
*68651	WRENCH- Socket	1
69451	VALVE- Check	1
69454	FILTER- Fuel cap	1
A-69500-A	CAP- Fuel filler	1
	Includes:	
69451	VALVE- Check	1
69454	FILTER- Fuel cap	1
69501	GASKET	1
69502	CHAIN- Bead	1
69503	RETAINER	1
82256	SCREW- 6 x .250	1
69501	GASKET	1
69502	CHAIN- Bead	1
69503	RETAINER	1
69833	FITTING- Tube	1
69919	SCREW- Cap	2
A-69962-B	GRIP- Starter	1
	Includes:	
70018-A	INSERT- Rope retaining	1
70019-A	COVER- Handle	1
70035	KIT- High altitude	1
A-70053-C	HANDLE- Throttle	1
A-70056-1	PISTON & PIN	1
	Includes:	
68068	RING- Piston	2
68512	BEARING	2
A-70088	RECEPTACLE- Transformer	1
	Includes:	
95270	SCREW- Mach. hex hd.	2
A-70199-A	PULLEY- Starter	1
	Includes:	
93862	WASHER- Nylon	1
94320	WASHER	2
94321	BUSHING- Starter	1

PART NO.	DESCRIPTION	QTY.
A-70255	SHIELD- Muffler	1
	Includes:	
70377	SEAL	1
70378	CUSHION	1
70299-1A	CRANKSHAFT	1
A-70300-1B	ROD- Connecting	1
	Includes:	
69919	SCREW- Cap hex soc. hd.	1
	8-32 x 1/2	2
70377	SEAL	2
70378	CUSHION	1
A-70379	DEFLECTOR- Air	1
	Includes:	
70377	SEAL	1
A-70421-A	ISOLATOR- Vibration	5
*70627	ADHESIVE	1
70720	CONTACT- Ground	1
A-70726-1	COVER- Starter housing	1
A-70793	NEEDLE- Bearing	2
70811	KIT- Gasket/diaphragm	1
70901	WASHER- Lock #12	2
70924	ROTOR	1
72084-A1	NUT- Hex	1
75078	KEY- Woodruff	1
80919	SCREW- Pan hd. 4-40 x 1/4	4
81196	NUT- Hex 5/16-18	1
81208	NUT- Locking hex (10-24)	12
81245	NUT- Hex locking (1/2-13)	1
81255	NUT- Locking hex (Rotor) (3/8-24)	1
82215	SCREW- Plastite (6 x 3/8)	2
82246	SCREW- Cap soc. hd. (10-24 x 1)	4
82254	SCREW- Mach. Pan hd. (8-32 x 1/2)	3
82256	SCREW- Pan hd. 6 x .250	1
82302	SCREW- Cap socket hd. (1/4-20 x 5/8)	2
82371	BOLT- Step (5/16-18 x 2 1/2)	1
82393	SCREW- Truss hd. (10-24 x 1/2)	1
83110	WASHER- Lock helicol	2
84026	WASHER- Flat (1/4)	3
84101	WASHER- Flat #8	1
88041	SCREW- Hex Sems 8-32 x .375	4
88045	SCREW- Hex Sems 8-32 x 1.25	1
88049	SCREW- Hex Sems 10-24 x .500	4
88050	SCREW- Hex Sems 10-24 x .625	23
88051	SCREW- Sems hex hd. (#10-24 x 3/4)	4
88052	SCREW- Sems hex hd. 10-24 x .875	2
88053	SCREW- Hex Sems 10-24 x 1.00	2
88054	SCREW- Cap socket hd. 10-24 x 1.250	5
88055	SCREW- Hex Sems 10-24 x 1.375	2
88057	SCREW- Hex Sems (#10-24 x 2)	1
*A-93072	KIT- Pulse line	1
93079	STUD- Shoulder	2
93112-42	TUBING- Rubber 10 1/2"	1
*93112-99	TUBING- Rubber (10 ft.)	1
93126	SCREW- Torx	3
93157-13	TUBING- Rubber 3 1/4"	1
93628	COVER- Clutch	1
A-93632	SHOE- Clutch	3
93638-A	SPRING- Clutch	3
93639	SPIDER- Clutch	1
93650	WASHER- Thrust	1
93862	WASHER- Nylon	1
A-93875	ROPE- Starter	1
94143	SCREW- Slotted hex hd. 1/4-20 x 1 1/4	3
94320	WASHER	2
94321	BUSHING- Starter post	1
94884	SLEEVE- Pin	1
A-94885	SPRING- Rewind	1
	Includes:	
94884	SLEEVE- Pin	1
95270	SCREW- Machine hex hd.	2
95479	WASHER- Flat	1

HOMELITE CONSTRUCTION & INDUSTRIAL EQUIPMENT

14401 Carowinds Blvd. • P.O. Box 7047 • Charlotte, North Carolina 28217

HOMELITE TEXTRON

Homelite Division of Textron Inc.