

PART NO. 18421

Printed in U.S.A.

Price \$1.00

**HOMELITE®**

## PARTS LIST

Back Pack  
**BLOWER**  
**MODEL: BP-250**

**NOTICE**

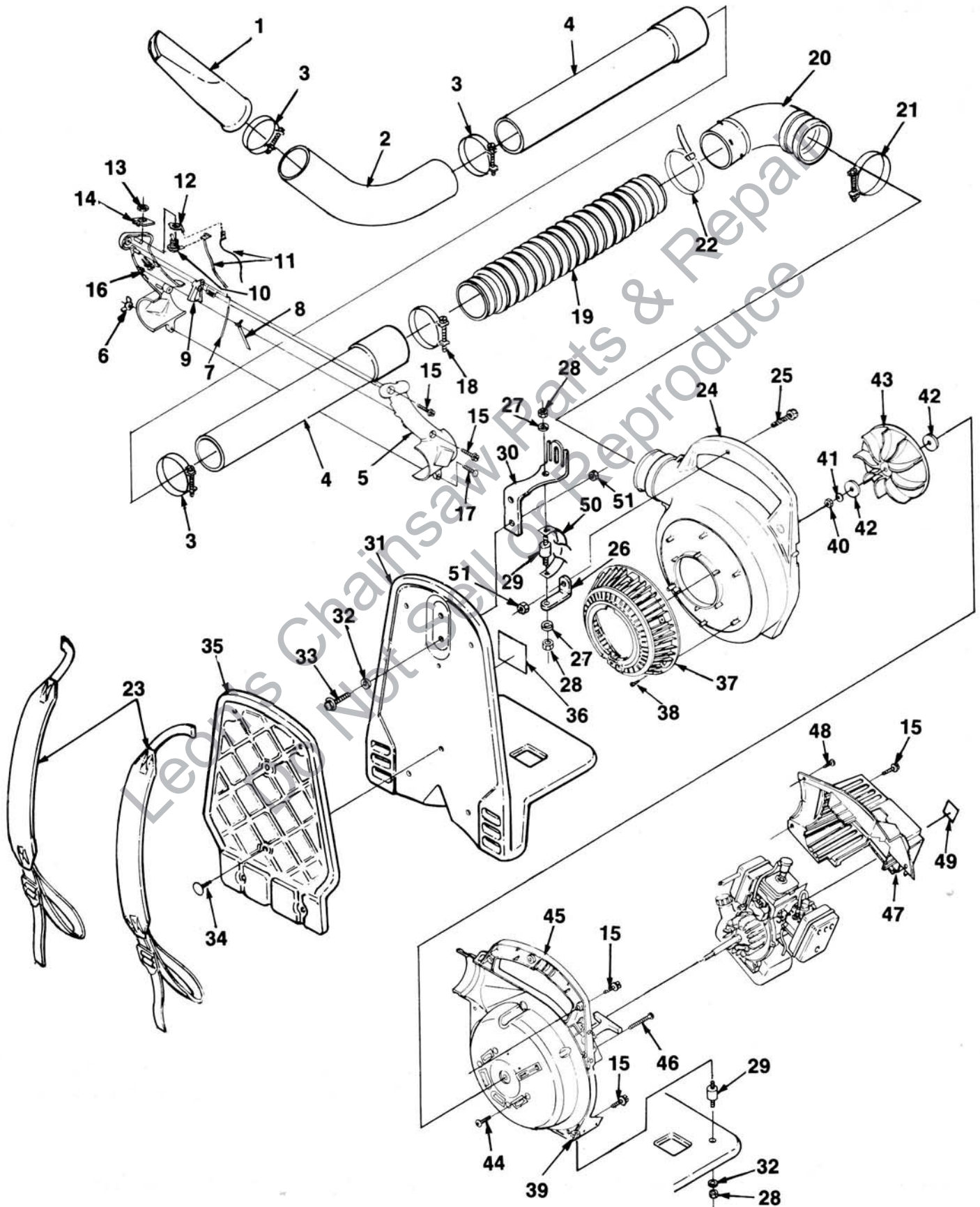
When ordering ignition components,  
see note on page 5.

**HOMELITE** **TEXTRON**

Homelite Division of Textron Inc.

**MODEL  
BP-250**

**FIGURE 1**

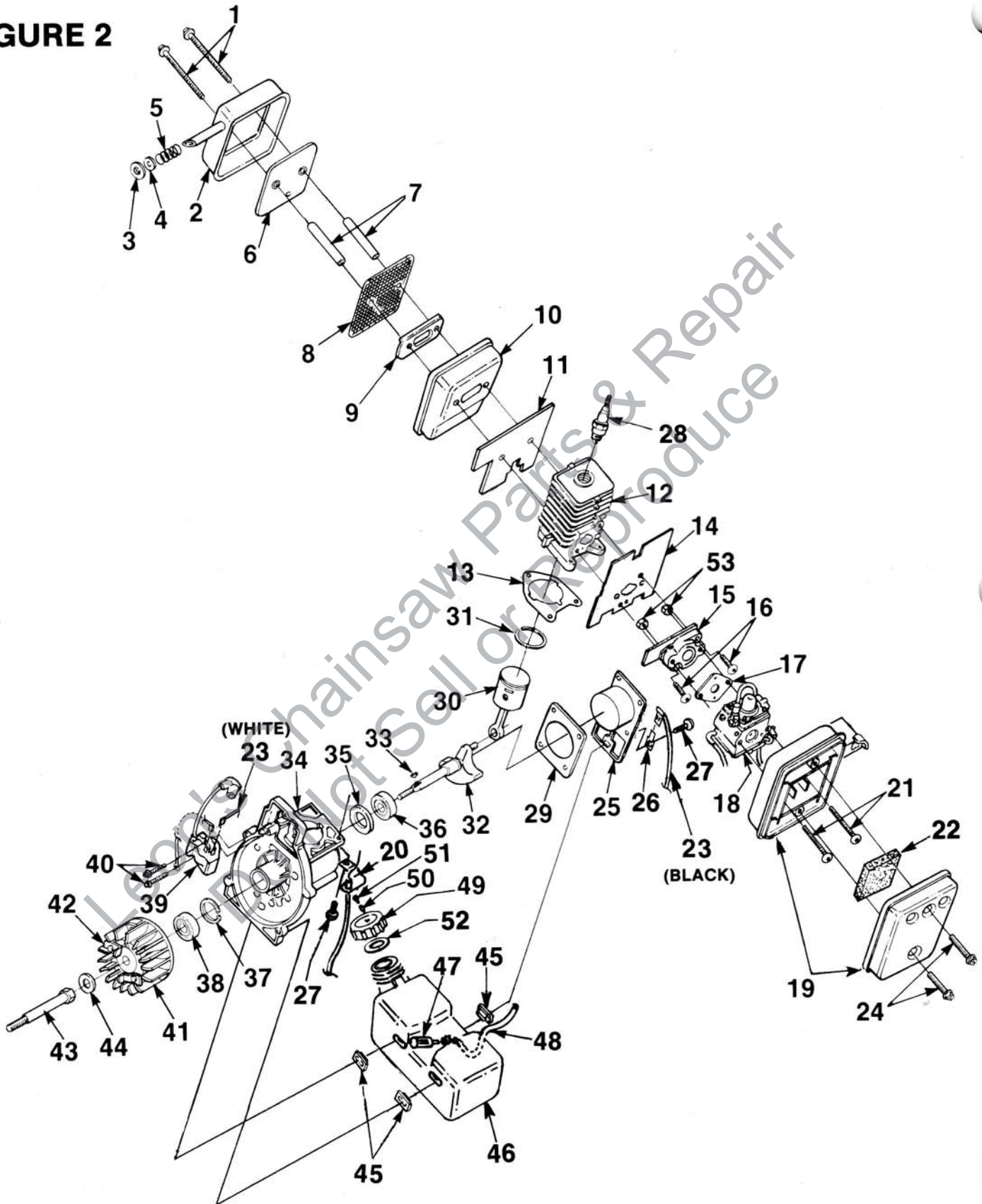


**PARTS LIST - FIGURE 1**

NO.	PART NO.	DESCRIPTION	QTY.
1	96329-B	NOZZLE- Sweeper	1
2	01774	TUBE- Curved	1
3	00433-3	CLAMP	3
4	A-01780	TUBING- Straight	2
5	95723-A	HANDLE- Control (right)	1
6	81281	NUT- Wing (10-24)	1
7	01775	CABLE- Throttle	1
8	95906-A	LATCH- Trigger	1
9	94452-A	TRIGGER	1
10	93653	SWITCH- Toggle	1
11	A-01777	LEAD & TERMINAL	1
12	95782	WASHER- Grounding	1
13	72084-A1	NUT- Toggle Switch	1
14	95231	PLATE- Indicating	1
15	70771	SCREW- Thd. forming plastite (#10 x 3/4")	7
16	95724-A	HANDLE- Control (left)	1
17	82375	BOLT- Rib neck (10-24 x 7/8")	1
18	00433-1	CLAMP	1
19	01772	BELLOWS- Plastic	1
20	01771	ELBOW- Curved	1
21	00433-5	CLAMP	1
22	JA-37548-7	TIE- Cable	1
23	01776	HARNES- Shoulder	2
24	00316-2	HOUSING- Volute (outer)	1
25	82554	SCREW- (1/4-20 x 1 1/4")	1
26	01765	BRACKET- Isolator	1
27	83061	WASHER- Lock	2
28	81267	NUT- Hex (1/4-20)	4
29	01770	ISOLATOR	3
30	01764	BRACKET- Frame	1
31	01763	FRAME	1
32	84006	WASHER- Flat (1/4")	4
33	63407	SCREW- (1/4-20 x 3/4")	2
34	01783	CLIP- Push	6
35	02023	PAD- Foam	1
36	01781	DECAL- Warning	1
37	00320	GRILL	1
38	82528	SCREW- Plastite (#6 x 3/8")	6
39	81280	NUT- Square (1/4-20)	2
40	81117	NUT- Hex (5/16-24)	1
41	70788	WASHER- Belleville (5/16")	1
42	00380	WASHER- Fan	2
43	00318	FAN- Blower	1
44	82538	SCREW- Taptite (10-24 x 3/4")	4
45	A-00814-D	HOUSING- Volute (inner) w/decals	1
46	JA-41690-3	SCREW-Hex hd.plastite (10 x 1 5/8")	1
47	00321	SHROUD	1
48	82376	SCREW- Thd. forming (#8 x 1/2")	3
49	00772	DECAL- Choke/Run	1
50	02541	SAFETY STRAP	1
51	81204	NUT- Locking hex	3

**MODEL  
BP-250**

**FIGURE 2**



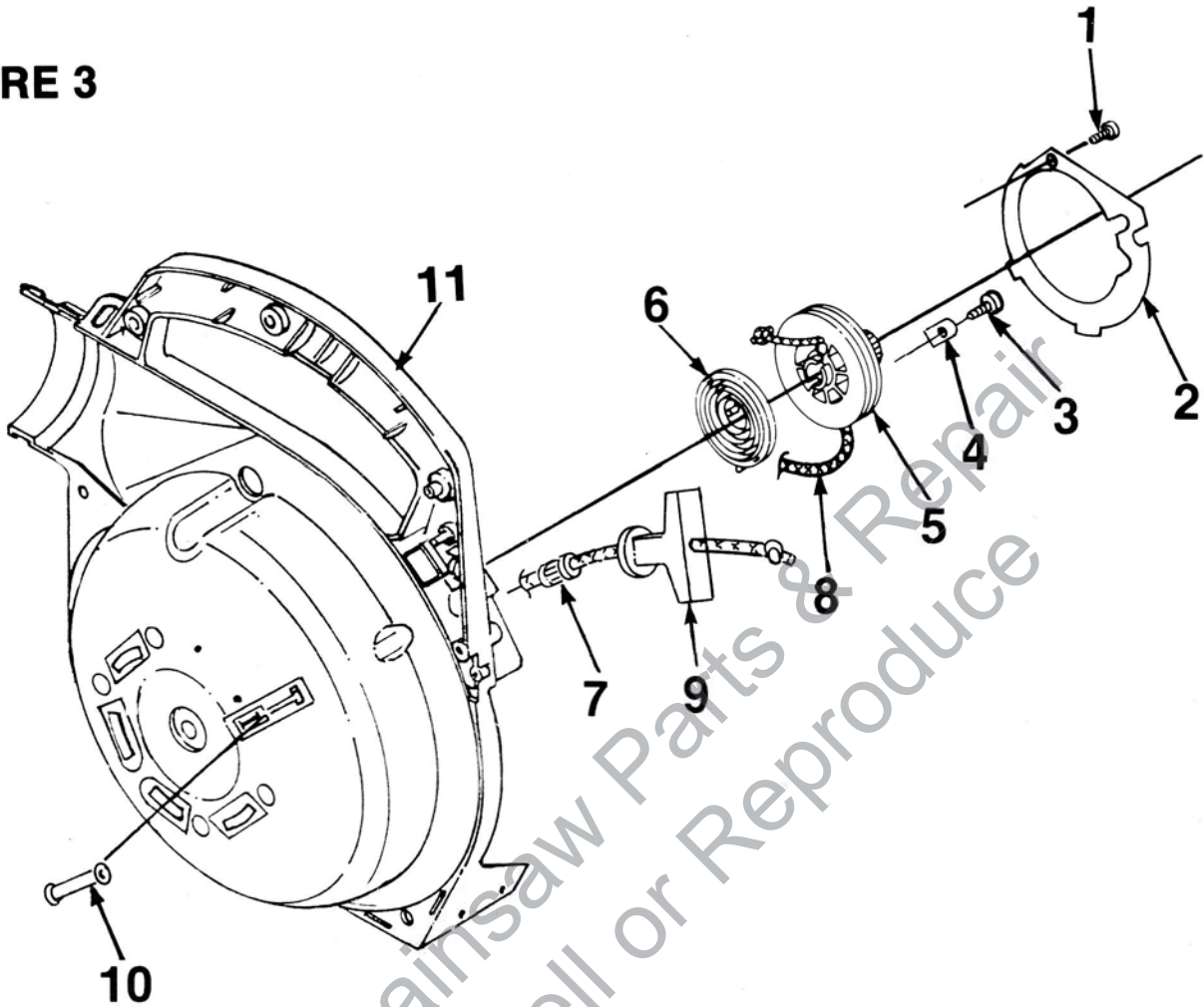
**PARTS LIST - FIGURE 2**

NO.	PART NO.	DESCRIPTION	QTY.	NO.	PART NO.	DESCRIPTION	QTY.
1	88060	SCREW- Sems hex hd. (10-24 x 2 1/2")	2	34	A-00107	CRANKCASE ASSY. Includes:	1
2	A-00366	COVER- Muffler	1	35	98800	SEAL- Shaft	1
3	00381	WASHER- Insulating	1	36	98797	BEARING- Ball	1
4	84117	WASHER- Flat	1	37	98799	RING- Retaining	1
5	00387	SPRING- Compression	1	38	98798	BEARING- Ball	1
6	00777	DEFLECTOR- Muffler	1	39	02008	MODULE- Ignition (Sawafugi)	1
7	98860-A	SPACER- Muffler	2		94711-B	MODULE- Ignition (Phelon)	1
8	00388-B	SCREEN- Spark Arrestor	1		01341	MODULE- Ignition (Sems-Walbro)	1
9	98783	PLATE- Reinforcing	1	40	82509	SCREW- Thd. forming (8-32 x 1")	2
10	A-01323	BODY- Muffler	1	41	A-02010	ROTOR & STARTER PAWL Sawafugi (Black)	1
11	00394-A	GASKET- Muffler	1		A-95007	ROTOR & STARTER PAWL Phelon/Sems-Walbro (Silver)	1
12	A-00108	CYLINDER Includes: GASKET	1	42	A-70285-E	STARTER PAWL KIT	1
13	98764	GASKET	1	43	00377	ADAPTER- Fan	1
14	00775-A	GASKET- Heat dam	1	44	84065	WASHER- Flat (5/16")	1
15	98768	HEAT DAM	1	45	98792	BUMPER- Rubber	3
16	82549	SCREW	2	46	A-01441	TANK- Fuel Includes:	1
17	98766	GASKET- Carburetor	1	47	49422	FILTER- Fuel	1
18	A-01769	CARBURETOR (WT-150) Walbro	1	48	94772-32	TUBING- Rubber	1
	A-01768	CARBURETOR (C1U-H13) Zama	1	49	A-00982	FUEL CAP ASSY. Includes:	1
19	A-01440	BOX- Air filter	1	50	98819	VALVE- Duck Bill	1
20	A-01767	CABLE- Bracket	1	51	98913	FILTER	1
21	82542	SCREW- Thd. forming (10-24 x 2 1/4")	2	52	98805	GASKET- Fuel cap	1
22	D-98760	FILTER- Air	1	53	81208	NUT	2
23	A-01777	LEAD & TERMINAL	1				
24	82368	SCREW- Thd. forming (8-16 x 3/4")	2				
25	98754	COVER- Crankcase	1				
26	00719	TERMINAL- Male tab	1				
27	82538	SCREW- Taptite (#10-24 x 3/4")	7				
28	96169-S	SPARK PLUG	1				
29	98767	GASKET- Crankcase	1				
30	A-01036	PISTON & ROD ASSY. Includes: RING- Piston	1				
31	96935	RING- Piston	1				
32	98758-3	CRANKSHAFT	1				
33	69250	KEY- Woodruff	1				

**NOTE:** When ordering Module or Rotor & Starter Pawl Assy. determine which system your unit has. A Sawafugi module will only operate with a Sawafugi Rotor & Starter Pawl. The Phelon and Sems-Walbro are completely interchangeable and compatible with each other.

**MODEL  
BP-250**

**FIGURE 3**



**PARTS LIST - FIGURE 3**

NO.	PART NO.	DESCRIPTION	QTY.
1	82528	SCREW- Thd. forming (#6-19 x 3/4")	1
2	00374	PLATE- Rotor	1
3	82511	SCREW- Thd. forming (10 x 1/2")	1
4	98791	BRACKET- Retaining	1
5	98770	PULLEY- Starter	1
6	A-98773	SPRING & CONTAINER	1
7	96981-1A	BUSHING- Starter	1
8	97899	ROPE- Starter 46"	1
9	70211	GRIP- Starter rope	1
10	00364	BUSHING- Starter rope	1
11	A-00814-D	HOUSING- Volute (inner) w/decals	1

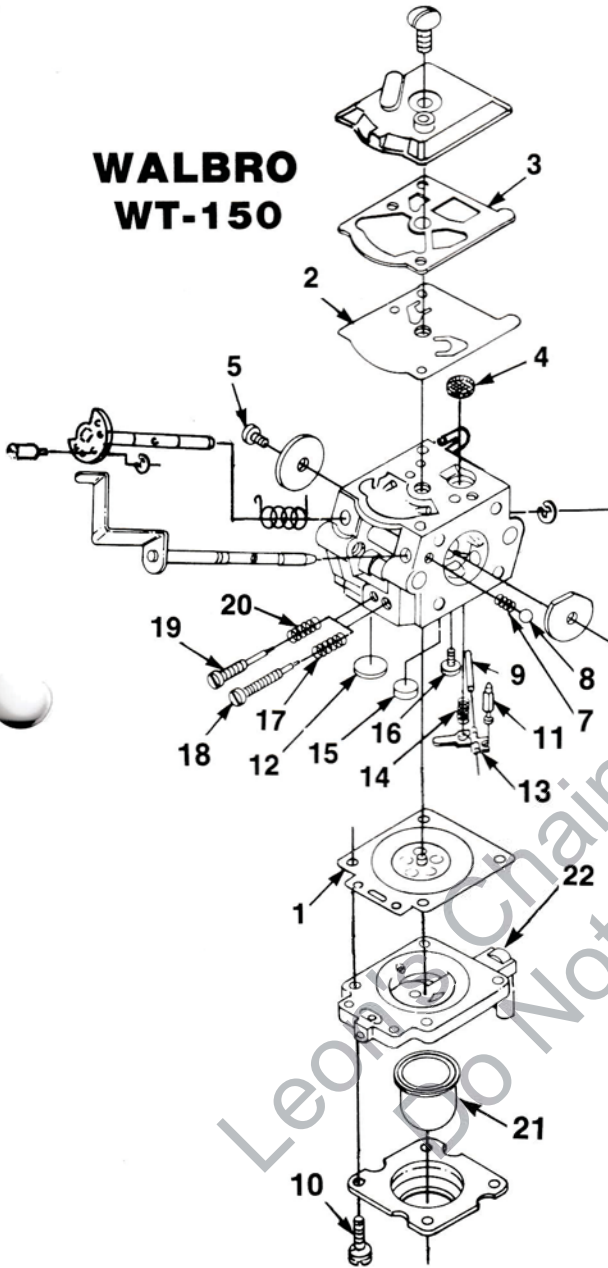
# CARBURETORS

**A-01769 (WT-150) WALBRO**

**A-01768 (C1U-H13) ZAMA**

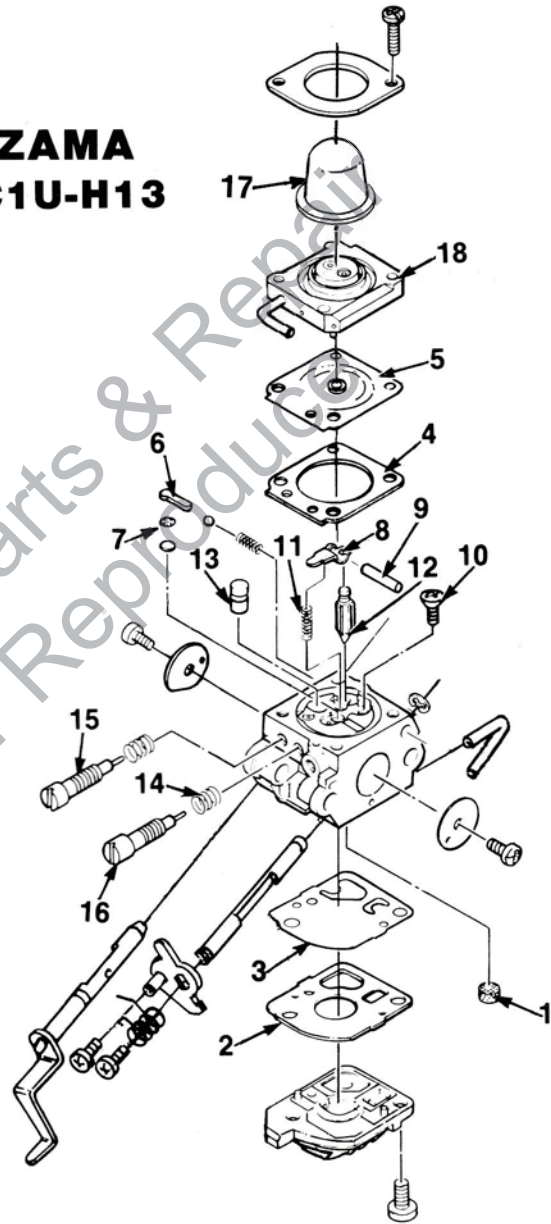
**MODEL  
BP-250**

## WALBRO WT-150



A-00285	GASKET KIT	(1-3)
A-02620	REPAIR KIT	(4-20)
01201	PRIMER BULB	(21)
A-01199	PRIMER BASE KIT	(22)

## ZAMA C1U-H13



A-01198-A	REPAIR KIT	(1-16)
A-01197-A	GASKET/DIAPHRAGM KIT	(2-5)
A-01195-A	PRIMER BULB KIT	(17)
A-01196-A	PRIMER BASE KIT	(18)

# ACCESSORIES

Part No.	Description
98052	Starter Rope- #3 1/2 (250' Reel)
24982-01	T-25 Torx bit (1/4" shank)
24982-02	T-25 Torx bit (5/16" shank)
17789	Carburetor Repair Tool Kit
JA-31316-4	Surface Gap Plug Ignition Tester
23488-C	Thread Locking Compound
22486	Shim (.015") - Air gap
22828	Internal Snap Ring Pliers
A-02515	Gutter Maintenance Kit
	Includes:
97581	Plastic Tubings (2-3 ft. sections)
97580	Plastic Elbows (2)
64598	Safety Goggles

## HEADQUARTERS

HOMELITE DIVISION OF TEXTRON INC.  
P.O. BOX 7047  
14401 CAROWINDS BOULEVARD  
CHARLOTTE, N.C. 28241

## OVERSEAS OFFICES

### NETHERLANDS

HOMELITE TEXTRON  
DIVISION OF TEXTRON ATLANTIC  
(HDQS. — Europe, Africa and Middle East)  
Haverstraat 24  
2153 GB Nieuw Vennep  
The Netherlands

### ENGLAND

HOMELITE  
DIVISION OF TEXTRON LIMITED  
UNIT 22  
Hither Green Industrial Estate  
Clevedon, NR, Bristol  
Avon, BS 21 6XU England

### FRANCE

HOMELITE TEXTRON  
UNE DIVISION DE TEXTRON  
S.A.R.L.  
Z.I. Du Vert-Galant  
Rue Du Chateau/Rue De La Garenne  
95310 Saint-Quen-L'Aumone  
France

### AUSTRALIA

HOMELITE DIVISION OF TEXTRON PACIFIC LIMITED  
HEADQUARTERS  
22 Terra - Cotta Drive  
Blackburn, 3130  
Victoria, Australia

HOMELITE DIVISION OF TEXTRON PACIFIC LIMITED  
45 Robinson Road  
Geebung, Queensland, 4034  
Australia

## CANADIAN OFFICES

HOMELITE  
DIVISION OF TEXTRON CANADA LIMITED  
1850 55th Avenue  
Lachine, Quebec, Canada  
H8T 3J5

3260 Viking Way  
Richmond, British Columbia  
V6V 1N6

16520, 111th Avenue  
Edmonton, Alberta  
T5M 3V8

595 Canartic Drive  
Downsview (Toronto)  
Ontario, Canada  
M3J 2P9

45 Brandon Street  
Moncton, New Brunswick  
E1C 7E7

# HOMELITE TEXTRON

Homelite Division of Textron Inc.

09801