

PRICE .25

1965

**HOMELITE**

**PUMPS**

*and*

**GENERATORS**

*Combined*

**PARTS LIST**

**PUMP MODELS**

- 9S3-1
- 9S3-1P
- 9S3-1R
- 9S3-2
- 9S3-2R
- 9TP3-1

**GENERATOR MODELS**

- 9A115-1
- 9A115-50-1
- 9A115/230-1
- 9A115/230-50-1
- 9HY-1

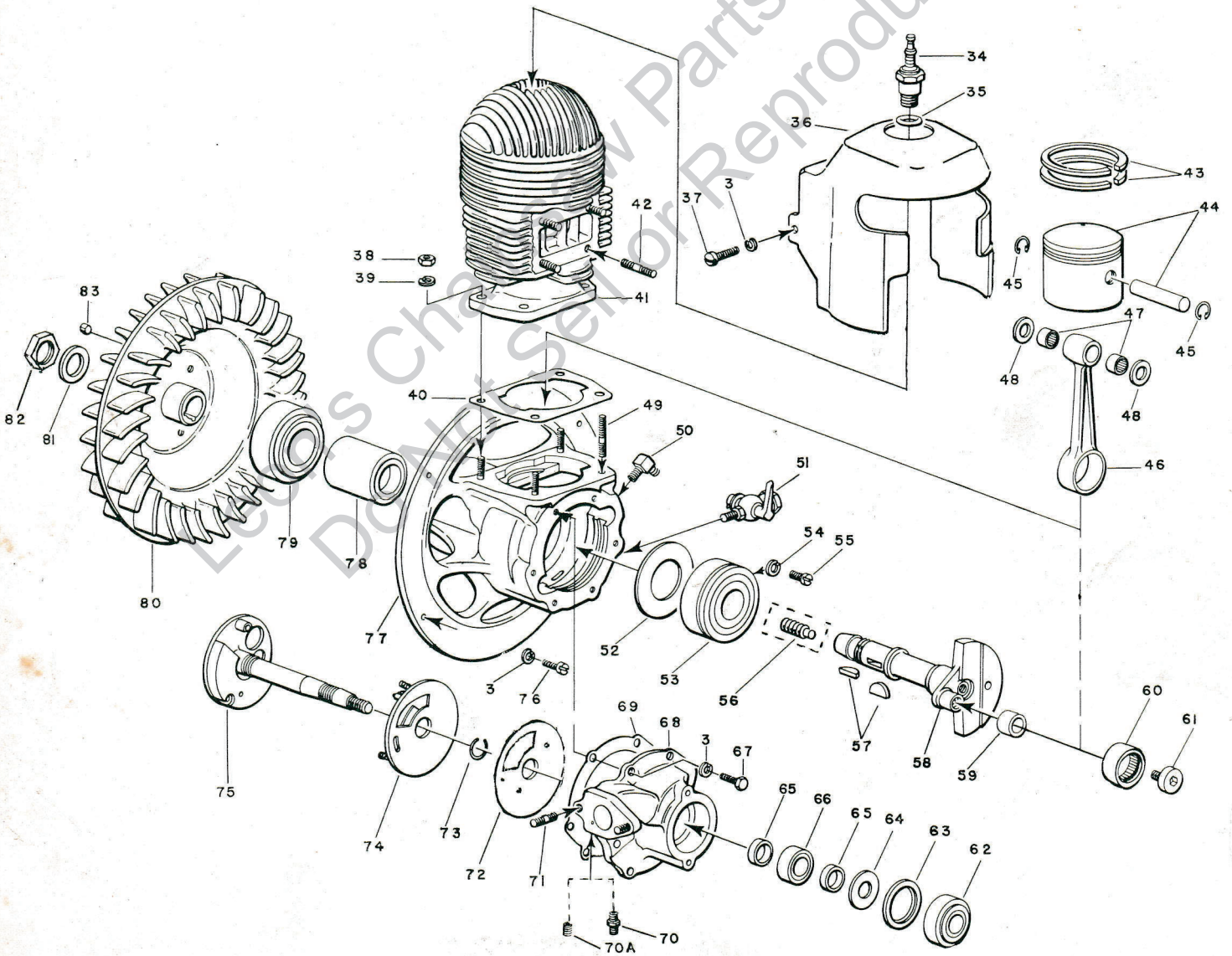
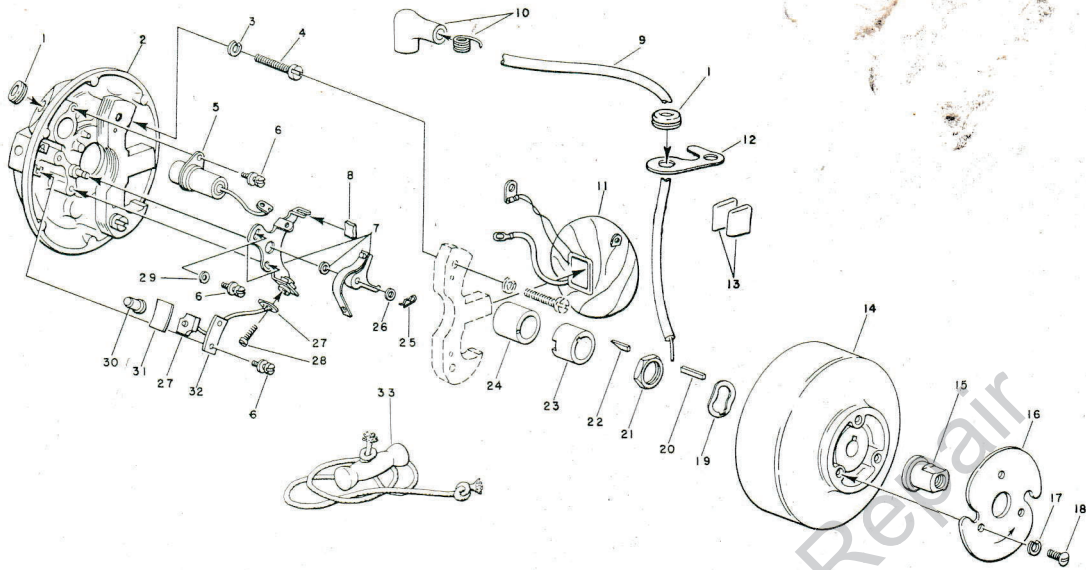
**HOMELITE**

A **Textron** DIVISION

PORT CHESTER, NEW YORK 10574



# ENGINE PARTS



always give model and serial number of unit when ordering parts



Parts used in each model are indicated by an asterisk (\*) in the corresponding column. A dagger (†) denotes an optional part available from your Homelite dealer.

No.	Description	Part No.	9 S			9TP		Generators		Qty.
			3-1	3-1 <sup>†</sup>	3-1	CYCLE	CYCLE	50	50	
1	GROMMET	S-1007-3	*	*	*	*	*	*	2	
2	PLATE - stator w/core ①	32089	*	*	*	*	*	*	1	
3	WASHER - lock, 1/4	83009	*	*	*	*	*	*	16	
4	SCREW-fil., 1/4-20x7/8	80057	*	*	*	*	*	*	2	
5	CONDENSER	32091	*	*	*	*	*	*	1	
6	SCREW-rd., 8-32x5/16	30261	*	*	*	*	*	*	5	
7	POINTS - breaker	31482	*	*	*	*	*	*	1	
8	Includes: WIPER-cam	30267	*	*	*	*	*	*	1	
9	LEAD - hi-tension ①	AA-30285	*	*	*	*	*	*	1	
10	Includes: TERMINAL	A-33055	*	*	*	*	*	*	1	
11	COIL	32090	*	*	*	*	*	*	1	
12	CLAMP	30273	*	*	*	*	*	*	1	
13	WEDGE - coil	28027	*	*	*	*	*	*	2	
14	ROTOR	26331	*	*	*	*	*	*	1	
15	NUT - puller	26025	*	*	*	*	*	*	1	
16	PLATE - starter	26024	*	*	*	*	*	*	1	
17	WASHER - lock, 1/4	83050	*	*	*	*	*	*	3	
18	SCREW-rd., 1/4-20x5/8	80251	*	*	*	*	*	*	3	
19	WASHER - spring	60407	*	*	*	*	*	*	1	
20	KEY - rotor	19797	*	*	*	*	*	*	1	
21	NUT - cam	19454	*	*	*	*	*	*	1	
22	KEY - cam	71349	*	*	*	*	*	*	1	
23	CAM	71337	*	*	*	*	*	*	1	
24	SPACER - cam	AA-637	*	*	*	*	*	*	1	
25	SPRING - lock	28008	*	*	*	*	*	*	1	
26	WASHER - pivot	28003	*	*	*	*	*	*	1	
27	LEAD - stop	30269	*	*	*	*	*	*	1	
28	SCREW-binder, 6-32x7/16	80587-1	*	*	*	*	*	*	1	
29	WASHER	28029	*	*	*	*	*	*	2	
30	BUTTON - stop	30265	*	*	*	*	*	*	1	
31	SPRING - button	30264	*	*	*	*	*	*	1	
32	PLATE - stop button	30266	*	*	*	*	*	*	1	
33	ROPE - starting	AA-290	*	*	*	*	*	*	1	
34	SPARK PLUG ①	71530-S	*	*	*	*	*	*	1	
		62032-S	*	*	*	*	*	*	1	
35	Includes: GASKET	25038	*	*	*	*	*	*	1	
36	SHIELD - cylinder	A-62371-A	*	*	*	*	*	*	1	
	Includes: PAD-felt	74613	*	*	*	*	*	*	1	
37	SCREW-fil., 1/4-20x3/4	80055	*	*	*	*	*	*	2	
38	NUT - 5/16 - 24	25412	*	*	*	*	*	*	4	
39	WASHER - lock, 5/16	83042	*	*	*	*	*	*	4	
40	GASKET - cylinder	61552	*	*	*	*	*	*	1	
41	CYLINDER	A-61937	*	*	*	*	*	*	1	
42	Includes: STUD-manifold	50294	*	*	*	*	*	*	4	
43	PISTON RING	61617	*	*	*	*	*	*	2	
44	PISTON & PIN	AA-61969	*	*	*	*	*	*	1	
45	Includes: RING-retaining	25502	*	*	*	*	*	*	2	
46	ROD - connecting	A-62907	*	*	*	*	*	*	1	
47	Includes: BEARING-needle	AA-26782	*	*	*	*	*	*	1	
48	WASHER - thrust	54095	*	*	*	*	*	*	2	

No.	Description	Part No.	9 S			9TP		Generators		Qty.
			3-1	3-1 <sup>†</sup>	3-1	CYCLE	CYCLE	50	50	
49	STUD - cylinder	62304	*	*	*	*	*	*	4	
50	FITTING - elbow	S-740-1	*	*	*	*	*	*	1	
51	VALVE - shut off	30969	*	*	*	*	*	*	1	
52	GASKET	40203	*	*	*	*	*	*	1	
53	BEARING - ball	26181-S	*	*	*	*	*	*	1	
54	WASHER - lock, 1/4	83041	*	*	*	*	*	*	2	
55	SCREW-bearing retainer	19238-A	*	*	*	*	*	*	2	
56	STUD - crankshaft	29788	*	*	*	*	*	*	1	
57	KEY - fan	10514	*	*	*	*	*	*	2	
58	CRANKSHAFT	18659-F2	*	*	*	*	*	*	1	
		18659-F1	*	*	*	*	*	*	1	
		18659-12	*	*	*	*	*	*	1	
59	RACE - inner	58083	*	*	*	*	*	*	1	
60	BEARING-roller (rod)	62806	*	*	*	*	*	*	1	
61	SCREW - crankpin	54094-1	*	*	*	*	*	*	1	
62	BEARING-ball (outer)	19400-S	*	*	*	*	*	*	1	
63	RING - retaining	19619-A	*	*	*	*	*	*	1	
64	SEAL - bracket	19620	*	*	*	*	*	*	1	
65	SPACER - bracket	19385	*	*	*	*	*	*	2	
66	BEARING-ball (inner)	27504-2S	*	*	*	*	*	*	1	
67	SCREW-hex, 1/4-20x3/4	80218-3	*	*	*	*	*	*	6	
68	BRACKET - timer	A-62647	*	*	*	*	*	*	1	
69	GASKET - bracket	19484	*	*	*	*	*	*	1	
70	SCREW-socket, 1/4-28x3/16	80742	*	*	*	*	*	*	1	
70A	FITTING - straight	31733-1	*	*	*	*	*	*	1	
71	STUD - carburetor	27464	*	*	*	*	*	*	2	
72	PLATE - intake valve	62617	*	*	*	*	*	*	1	
73	RING - retaining	40177	*	*	*	*	*	*	1	
74	GOVERNOR	A-33107-B	*	*	*	*	*	*	1	
	Includes: SPRING	A-62985	*	*	*	*	*	*	1	
	W/SCREW	62210	*	*	*	*	*	*	1	
	GOVERNOR	A-6045-B	*	*	*	*	*	*	1	
	Includes: SPRING	A-33283-A	*	*	*	*	*	*	1	
	W/SCREW	62210	*	*	*	*	*	*	1	
	GOVERNOR	A-6054-B	*	*	*	*	*	*	1	
	Includes: SPRING	A-33284-A	*	*	*	*	*	*	1	
	W/SCREW	62210	*	*	*	*	*	*	1	
	GOVERNOR	A-6055-B	*	*	*	*	*	*	1	
	Includes: SPRING	A-62986	*	*	*	*	*	*	1	
	W/SCREW	62210	*	*	*	*	*	*	1	
75	SHAFT - intake valve	AA-878	*	*	*	*	*	*	1	
76	SCREW-fil., 1/4-20x5/8	80050	*	*	*	*	*	*	6	
77	CRANKCASE	A-61357-4	*	*	*	*	*	*	1	
78	SPACER - crankshaft	19818	*	*	*	*	*	*	1	
79	BEARING - ball (fan)	19228-S	*	*	*	*	*	*	1	
80	FAN	61719	*	*	*	*	*	*	1	
		61559	*	*	*	*	*	*	1	
81	WASHER - fan	18662	*	*	*	*	*	*	1	
82	NUT - lock	18660	*	*	*	*	*	*	1	
83	CORK - puller holes	19561	*	*	*	*	*	*	3	

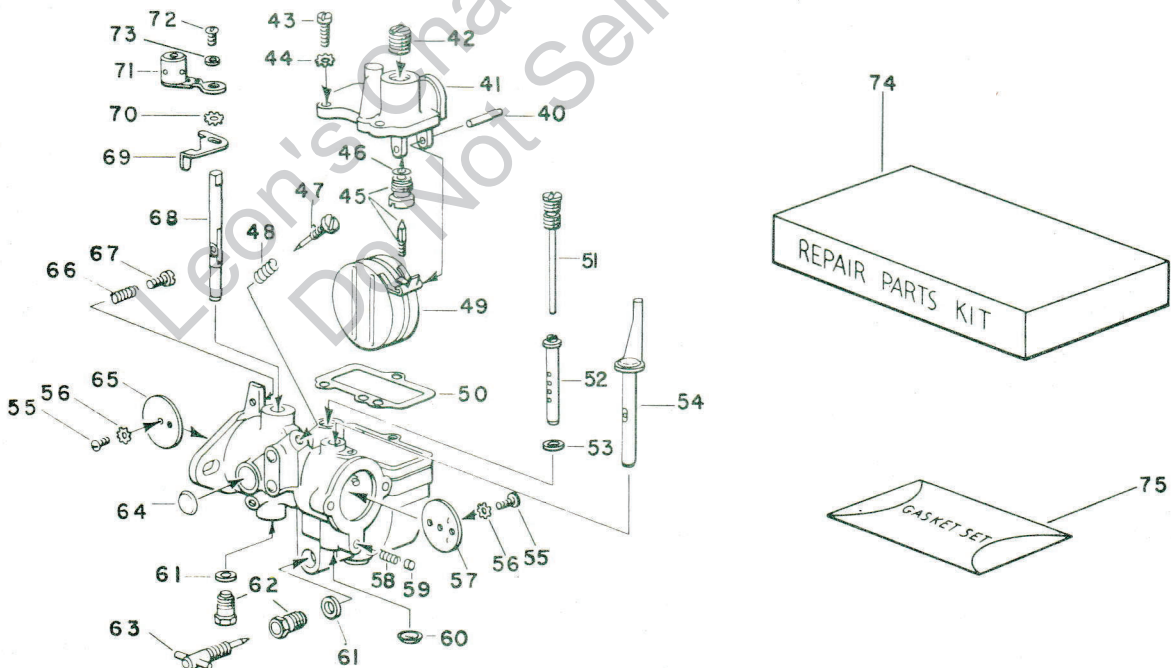
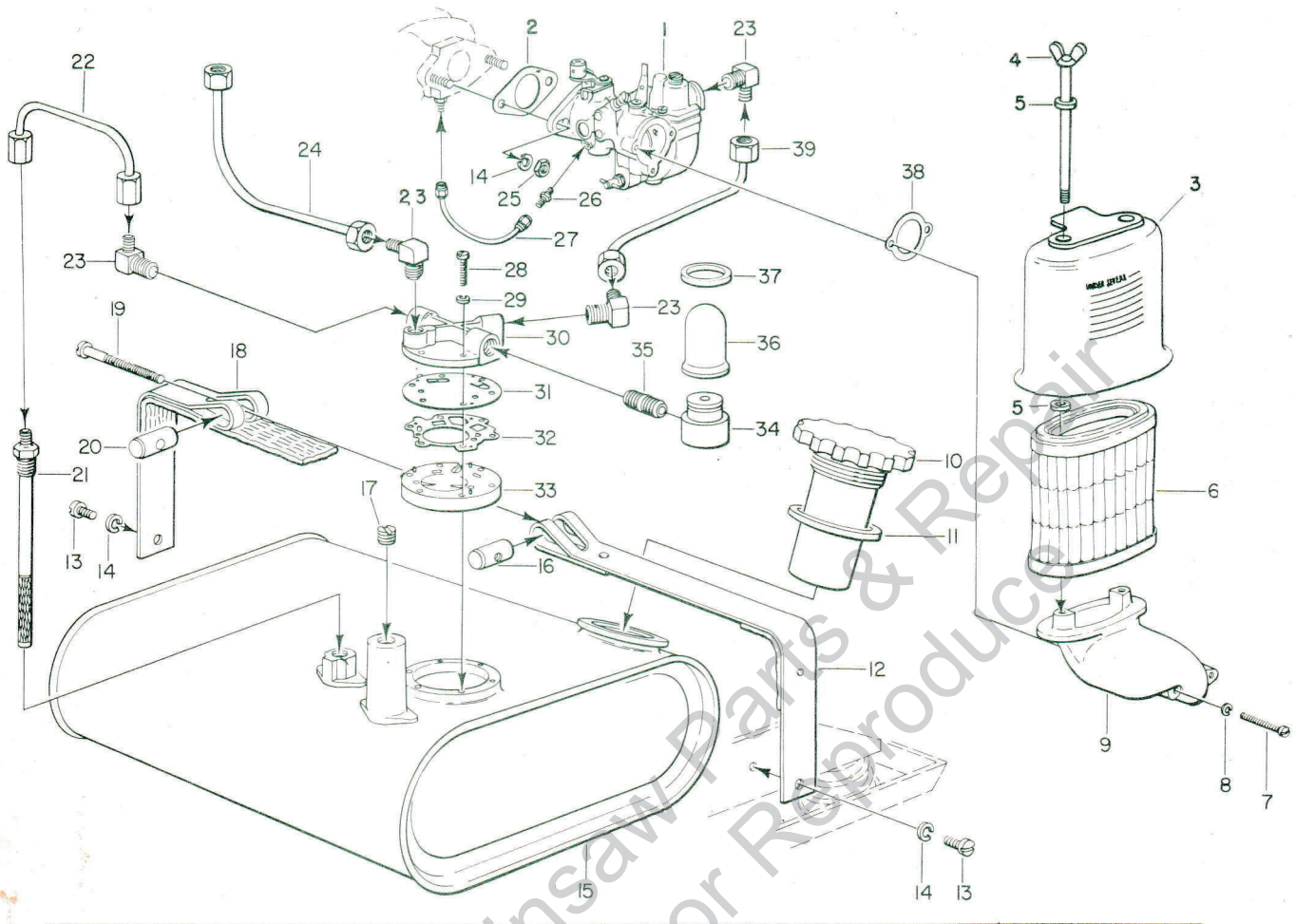
① Units equipped with shielded ignition require these parts:

PLATE - stator w/core	*32089-8
SHIELDING KIT	A-62656
Includes: SPARK PLUG	31466-S
CONDUIT	AA-957
BUSHING	25951
FITTING	50361-1

\* Special order only.



# FUEL SYSTEM





Parts used in each model are indicated by an asterisk (\*) in the corresponding column. A dagger (†) denotes an optional part available from your Homelite dealer.

No.	Description	Part No.	9 S			9A	Qty.
			3-1	3-1R	3TP	115	
1	CARBURETOR ①	A-33146-A	*	*	*		1
		A-62422				*	1
		A-62566				†	1
2	GASKET - carburetor	19149	*	*	*	*	1
3	SHIELD - air filter	A-62039-A	*	*	*	*	1
4	Includes: SCREW-wing	61961	*	*	*	*	2
5	WASHER-fiber	60552	*	*	*	*	4
6	FILTER ELEMENT	A-62961	*	*	*	*	1
7	SCREW-fil., 8-32x1 1/8	80124	*	*	*	*	2
8	WASHER - lock, #8	83000	*	*	*	*	2
9	ELBOW - air intake	33062	*	*	*	*	1
10	CAP-includes Index #11	AA-29217-1	*	*	*	*	1
11	GASKET - cap	25815-1	*	*	*	*	1
12	STRAP-fuel tank (long)	A-61604	*	*	*	*	1
13	SCREW-fil., 1/4-20x3/8	80136-1	*	*	*	*	2
14	WASHER - lock, 1/4	83009	*	*	*	*	4
15	TANK - fuel	A-61938	*	*	*	*	1
16	STUD - threaded	50052	*	*	*	*	1
17	PLUG - pipe	28097	*	*	*	*	1
18	STRAP-fuel tank (short)	A-61603	*	*	*	*	1
19	SCREW-fil., 1/4-20x2 1/2	80419	*	*	*	*	1
20	STUD - plain	18123-A	*	*	*	*	1
21	FILTER - fuel	62238	*	*	*	*	1
22	LINE - fuel, "IN"	A-62227	*	*	*	*	1
23	FITTING - elbow	S-740-1	*	*	*	*	4
24	LINE - pulse	A-62236	*	*	*	*	1
25	NUT - 1/4-20	81013-1	*	*	*	*	2
26	FITTING - straight	31733-1				*	1
27	LINE - idle	A-61960				*	1
28	SCREW-fil., 6-32x3/4	80475	*	*	*	*	6
29	WASHER - lock, #6	83004-1	*	*	*	*	6
30	BODY - fuel pump	A-61963	*	*	*	*	1
31	DIAPHRAGM-fuel pump	74865	*	*	*	*	1
32	GASKET	74962	*	*	*	*	1
33	COVER	77094	*	*	*	*	1
34	FITTING-primer bulb	61983-A	*	*	*	*	1
35	FITTING - 1/8 pipe	19346	*	*	*	*	1
36	BULB - priming	61974-A	*	*	*	*	1
37	RING - bulb clamp	62219	*	*	*	*	1
38	GASKET - elbow	25361	*	*	*	*	1
39	LINE - fuel	A-62228	*	*	*	*	1

No.	Description	Part No.	A-33146-A			A-62422			A-62566			Qty.
			*	*	*	*	*	*	*	*	*	
Carburetor Repair Parts												
40	PIN - float pinion	33349	*	*	*							1
41	COVER - float bowl	33340	*	*	*							1
42	PLUG - 1/8" pipe	30821	*	*	*							1
43	SCREW-fil., 8-32x1/2	80022	*	*	*							3
44	WASHER - lock, #8	83029	*	*	*							3
45	NEEDLE & SEAT	33341	*	*	*							1
46	Includes: GASKET	55344	*	*	*							1
47	NEEDLE-idle adjusting	33351	*	*	*							1
48	SPRING	73075	*	*	*							1
49	FLOAT	33348	*	*	*							1
50	GASKET	33355	*	*	*							1
51	TUBE - by-pass	33354	*									1
		61986		*	*							1
52	NOZZLE	33342	*									1
		61987		*	*							1
53	GASKET	73270	*	*	*							1
54	SHAFT - choke	33343	*	*	*							1
55	SCREW-rd., 4-40x1/4	80591	*	*	*							2
56	WASHER - lock, #4	83008-1	*	*	*							2
57	SHUTTER - choke	72786	*									1
		74678		*	*							1
58	SPRING-choke friction	73264	*	*	*							1
59	PIN - choke friction	71494	*	*	*							1
60	PLUG	33350	*									1
61	PACKING	15037	*									2
		15037		*	*							1
62	NUT - packing	33353	*									1
		33353		*	*							2
63	NEEDLE-main adjusting	33352	*	*	*							1
64	PLUG	30818	*	*	*							2
65	SHUTTER - throttle	72786	*									1
		74678		*	*							1
66	SPRING - idle stop	28064	*									1
67	SCREW-fil., 8-32x5/8	71509	*									1
68	SHAFT - throttle	33609	*									1
		61985		*	*							1
69	LEVER-throttle stop	33345	*									1
70	WASHER - lock, #12	83084	*									1
71	LEVER - throttle shaft	33344	*									1
72	SCREW-rd., 4-36x1/4	71521	*	*	*							1
73	WASHER - flat	84050	*									1
74	REPAIR PARTS KIT	74586	*									1
		62010		*	*							1
75	GASKET SET	74585	*	*	*							1

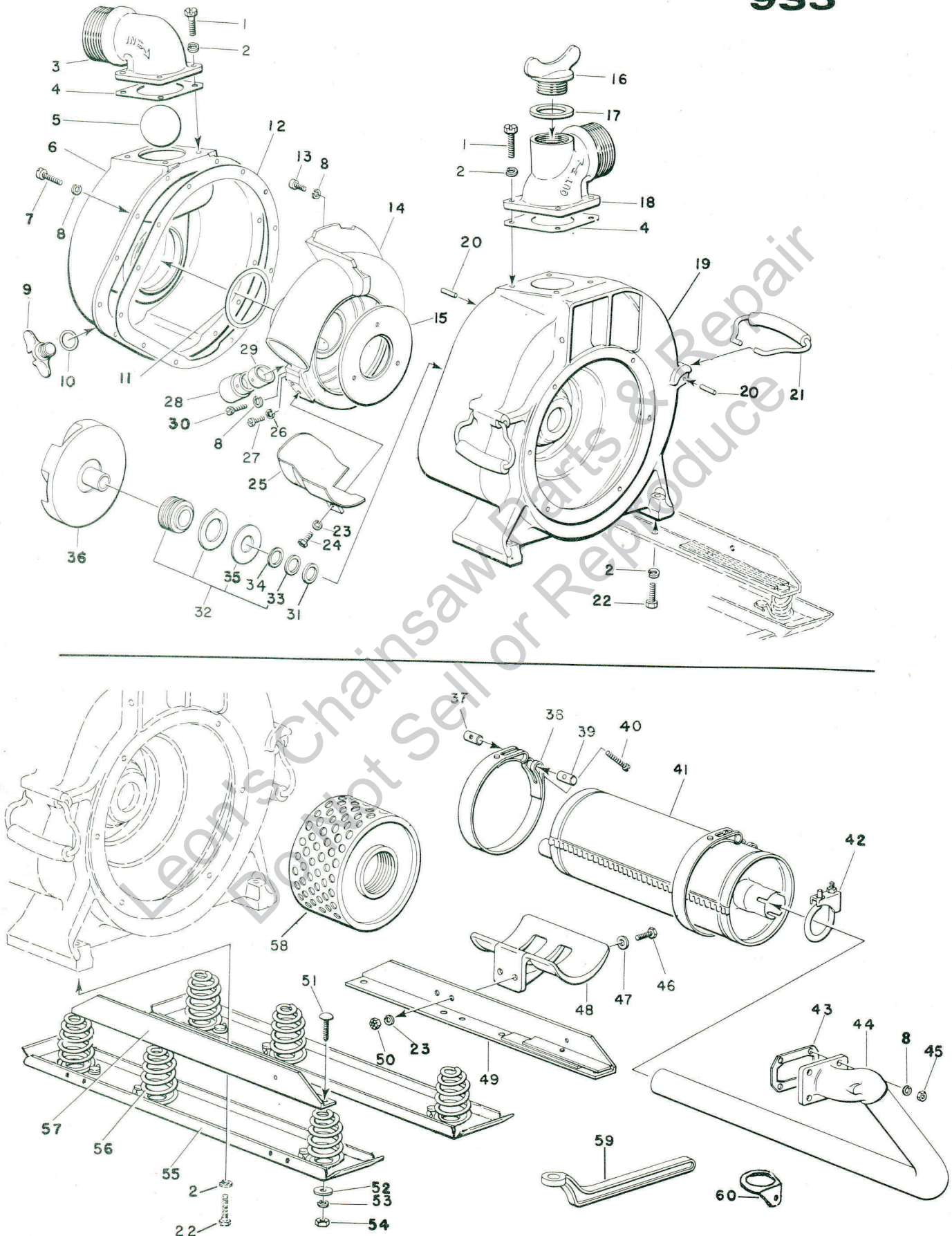
① Carburetor #A-62566 required with Automatic Idle Kit #A-62901; includes throttle shaft, throttle shutter, and associated parts.

② These parts included in Repair Parts Kit.



# PUMP, MOUNTING, AND MUFFLER PARTS

## 9S3



always give model and serial number of unit when ordering parts



Parts used in each model are indicated by an asterisk (\*) in the corresponding column. A dagger (†) denotes an optional part available from your Homelite dealer.

No.	Description	Part No.	9 S 3			Qty.
			-1	-1R	-1P	
1	SCREW-hex, 3/8-16x1	80374-1	*	*	*	8
2	WASHER - lock, 3/8	83018	*	*	*	12
3	FITTING - suction ①	27409-2	*	*	*	1
4	GASKET ②	20002	*	*	*	2
5	BALL - check ②	20011-2	*	*	*	1
6	PLATE - end	26661-B	*	*	*	1
7	SCREW-hex, 1/4-20x 3/4	80218-1	*	*	*	13
8	WASHER - lock, 1/4	83009	*	*	*	20
9	PLUG - drain	29429	*	*	*	1
10	GASKET - plug	75896-A	*	*	*	1
11	GASKET - end plate	28616-2A	*	*	*	1
12	GASKET ②	28511	*	*	*	1
13	SCREW-fil., 1/4-20x 5/8	80392	*	*	*	3
14	HOUSING - impeller	32066-2 33179-A	*	*	*	1 1
15	PLATE	33109-1 33109	*	*	*	1 1
16	PLUG - wing	18127-B	*	*	*	1
17	GASKET - plug ②	18108	*	*	*	1
18	FITTING - discharge ③	27492	*	*	*	1
19	FRAME - pump	A-62272	*	*	*	1
20	Includes: PIN	29599-1	*	*	*	2
21	HANDLE	AA-31171	*	*	*	2
22	SCREW-hex, 3/8-16x1 1/4	80599	*	*	*	4
23	WASHER - lock, 5/16	83002	*	*	*	4
24	SCREW-hex, 5/16-18x 7/8	80084-1	*	*	*	2
25	BAFFLE	61973-A	*	*	*	1
26	WASHER - lock, #10	83006-1	*	*	*	1
27	SCREW-fil., 10-32x 1/2	80393	*	*	*	1
28	TUBE - pump ②	AA-29182	*	*	*	1
29	TUBE - auxiliary	29574 61759	*	*	*	1 1
30	SCREW-hex, 1/4-20x 1/2	80493	*	*	*	1
31	SPACER - impeller	71068-A	*	*	*	1

No.	Description	Part No.	9 S 3			Qty.
			-1	-1R	-1P	
32	SEAL - standard	A-62073	*	*	*	1
33	SEAL-liquid fertilizer	A-62073-1	†	†	†	1
	Includes: SHIM-1/32"	51047-A	*	*	*	as req'd.
34	SHIM - .010	51048-A	*	*	*	as req'd.
35	WASHER-sealing	18684-2	*	*	*	1
36	IMPELLER	62148-A	*	*	*	1
		62097-A	*	*	*	1
		A-62201-A	*	*	*	1
37	STUD - strap (threaded)	50052	*	*	*	2
38	STRAP - muffler	AA-29146	*	*	*	2
39	STUD - strap (plain)	18123-A	*	*	*	2
40	SCREW-fil., 1/4-20x 2 1/4	80236-1	*	*	*	2
41	MUFFLER	27782	*	*	*	1
42	CLAMP - muffler	25236-1	*	*	*	1
43	GASKET - exhaust	60337	*	*	*	1
44	MANIFOLD	AA-60336	*	*	*	1
45	NUT - 1/4-28	81065-2	*	*	*	4
46	SCREW-hex, 5/16-18x1	80085-1	*	*	*	2
47	WASHER - flat, 5/16	84001-1	*	*	*	2
48	BRACKET - muffler	60335	*	*	*	1
49	ANGLE - base (right)	A-61968	*	*	*	1
	Includes: SPACER-tank	60032-A	*	*	*	1
50	NUT - lock, 5/16 - 18	81096	*	*	*	2
51	BOLT-carriage, 5/16-18x1	82003	*	*	*	6
52	WASHER - flat, 5/16	84001	*	*	*	6
53	WASHER - lock, 5/16	83003	*	*	*	6
54	NUT - 5/16 - 18	81018	*	*	*	6
55	SKID	A-62917	*	*	*	2
56	Includes: SPRING-foot	25407	*	*	*	3
	ANGLE - base (left)	A-61967	*	*	*	2
57	Includes: SPACER-tank	60032-A	*	*	*	1
	STRAINER	30129	*	*	*	1
58	STRAINER	30129	*	*	*	1
59	WRENCH - spanner	20024	*	*	*	1
60	BRACKET-wrench holder	62450	*	*	*	1

① Suction Fitting with British Threads - #27409-1; fitting tapped for use with Automatic Idle Kit — #27409-5.

② These parts (included in Oil Conversion Kit #A-62149) must be used when pumping oil:

- GASKET-suction fitting . . . 20002-2
- GASKET-discharge fitting . . . 20002-1
- BALL - check . . . . . 20011-3
- GASKET . . . . . 28511-1
- GASKET - plug . . . . . 18108-1
- TUBE - by-pass . . . . . 30059

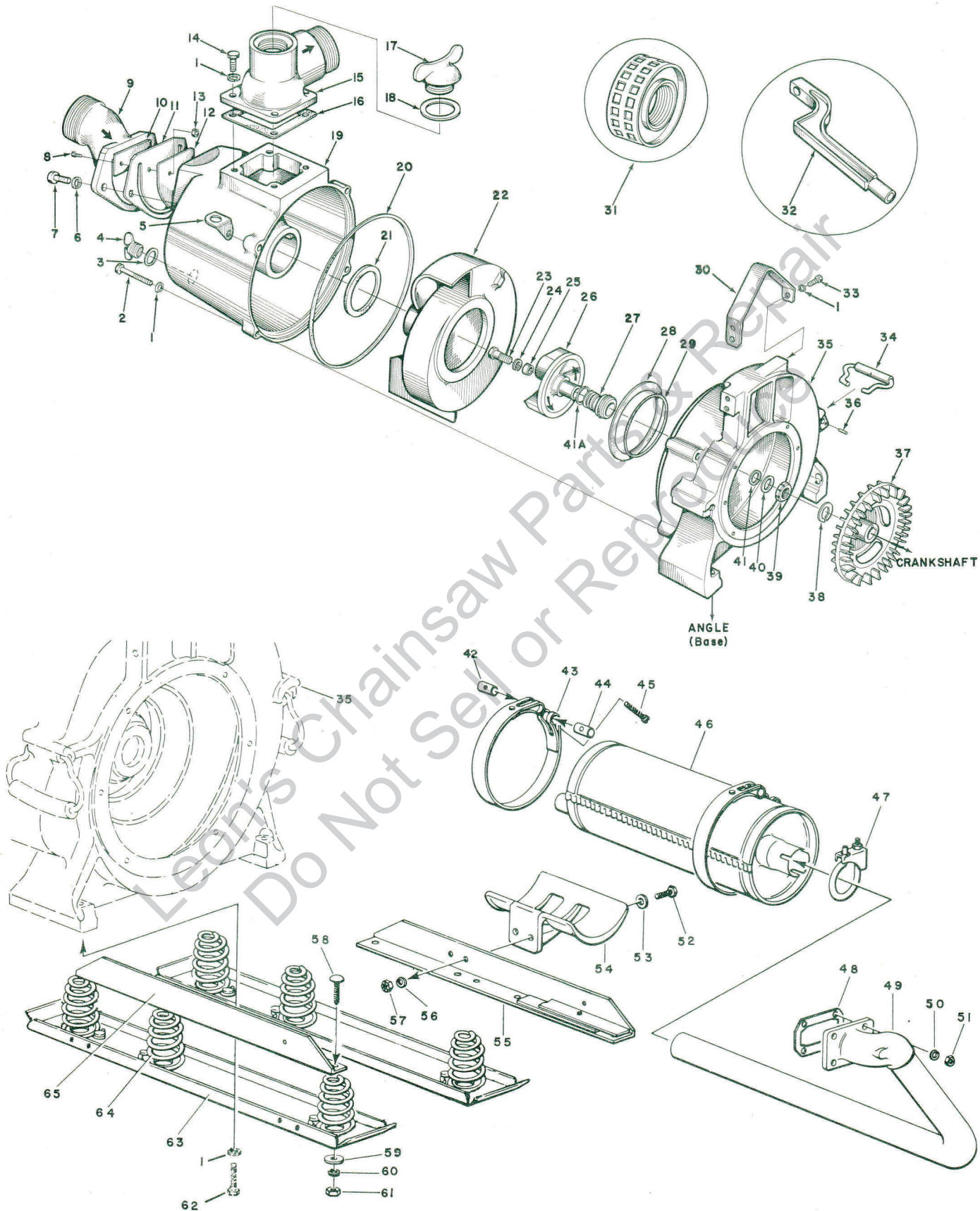
③ Discharge Fitting with British Threads — #27492-1.

ACCESSORIES (available on order)

- A-62273 AUTOMATIC IDLE CONTROL KIT
- A-62149 OIL CONVERSION KIT



# PUMP, MOUNTING AND MUFFLER PARTS 9 TP3





No.	Description	Part No.	Qty.
1	WASHER - lock, 3/8.	83018	15
2	SCREW - hex, 3/8-16x2	80306	4
3	GASKET	75896-A	1
4	PLUG - drain	29429	1
5	BRACKET - wrench holder	62450	1
6	WASHER - lock, 1/2	83020	2
7	SCREW - hex, 1/2-13x1 1/4	80272	2
8	SCREW - 10-32 x 1/2	80032	2
9	FITTING - suction (standard)	62657	1
	FITTING - suction (Brit. thread)	62657-1	1
10	PLATE - valve (small)	62669	1
11	VALVE	62667	1
12	PLATE - valve (large)	62668	1
13	NUT - 10-32	81111	2
14	SCREW - hex, 3/8-16x1 1/8	80374-1	4
15	FITTING - discharge (standard)	27492-2	1
	FITTING - discharge (Brit. thread)	27492-1	1
16	GASKET	20002	1
17	PLUG - wing	18127-B	1
18	GASKET	18108	1
19	PLATE - end	62561	1
20	GASKET	62367	1
21	GASKET	62363-A	1
22	HOUSING - impeller	62679	1
23	SCREW - impeller	62881	1
24	WASHER - impeller	62880	1
25	BUSHING - tapered	62879	1
26	IMPELLER	62859	1
27	SEAL ASSEMBLY	A-62713	1
28	GASKET	62665-A	1
29	"O" RING	62772	1
30	BRACKET - lifting	62912	1
31	STRAINER	62659	1
32	WRENCH - spanner & socket	A-62680	1
33	SCREW - hex, 3/8-16x7/8	80187	3
34	HANDLE	AA-31171	2
35	FRAME - pump body	A-62982	1
36	Includes: PIN - locating	29599-1	2

No.	Description	Part No.	Qty.
37	FAN	61719	1
38	WASHER - fan	18662	1
39	NUT	18660	1
40	WASHER	62878	1
41	SHIM - 1/32"	51047-A	as req'd.
	SHIM - .010	51048-A	as req'd.
41A	SHIM - .010	62675	as req'd.
	SHIM - .015	62676	as req'd.
42	STUD - strap (threaded)	50052	2
43	STRAP - muffler	AA-29146	2
44	STUD - strap (plain)	18123-A	2
45	SCREW - fil., 1/4-20x2 1/4	80236-1	2
46	MUFFLER	27782	1
47	CLAMP - muffler	25236-1	1
48	GASKET - exhaust	60337	1
49	MANIFOLD	AA-60336	1
50	WASHER - lock, 1/4	83009	4
51	NUT - 1/4-28	81065-2	4
52	SCREW - hex, 5/16-18x1	80085-1	2
53	WASHER - flat, 5/16	84001-1	2
54	BRACKET - muffler	60335	1
55	ANGLE - base (right)	A-61968	1
	Includes: SPACER - tank	60032-A	1
56	WASHER - lock, 5/16	83002	2
57	NUT - lock, 5/16-18	81096	2
58	BOLT - carriage, 5/16-18x1	82003	6
59	WASHER - flat, 5/16	84001	6
60	WASHER - lock, 5/16	83003	6
61	NUT - 5/16-18	81018	6
62	SCREW - hex, 3/8-16x1 1/4	80599	4
63	SKID	A-62917	2
64	Includes: SPRING - foot	25407	3
65	ANGLE - base (left)	A-61967	1
	Includes: SPACER - tank	60032-A	1

ACCESSORIES (available from your HOMELITE dealer):

62745 FITTING - suction, 2"    19224-B FITTING - discharge, 2"

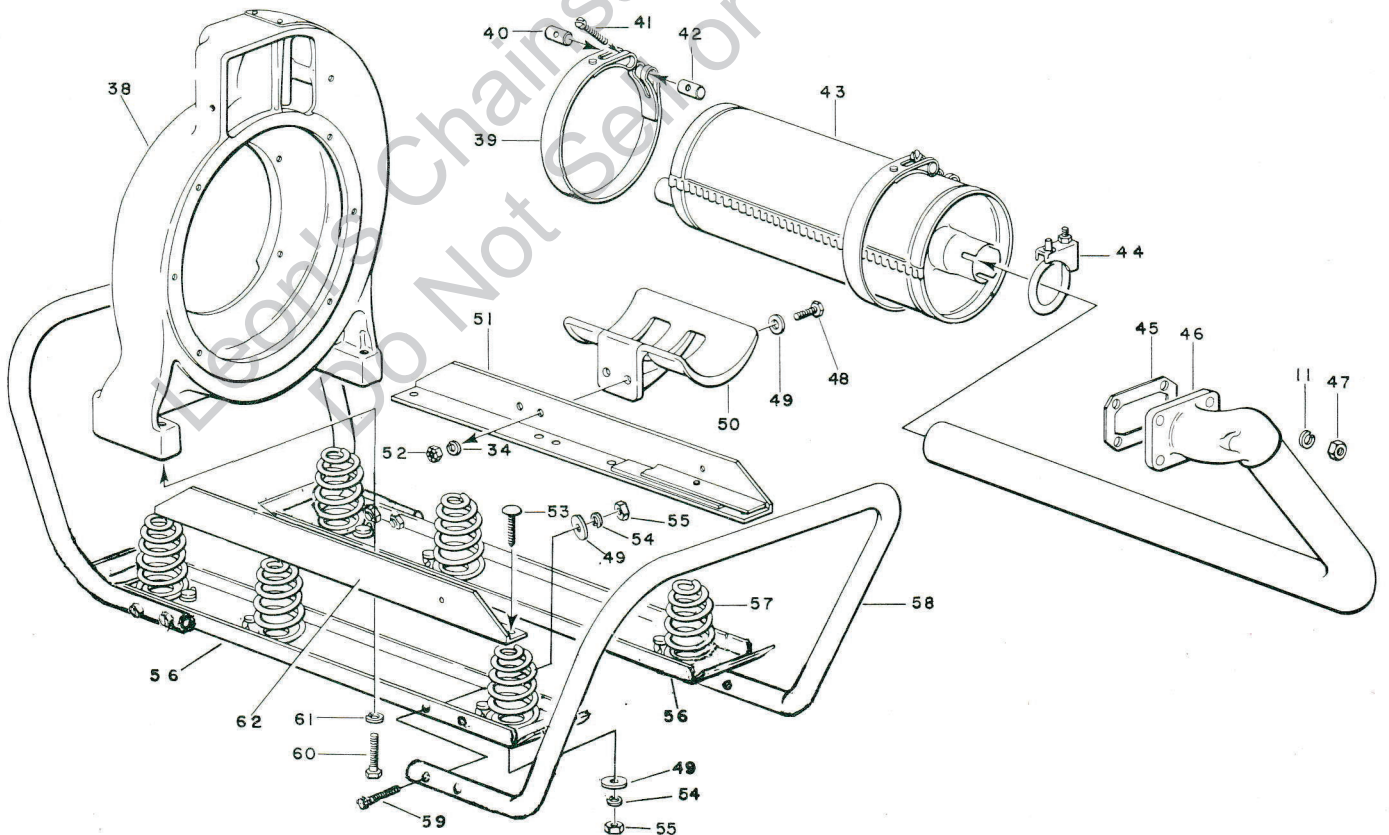
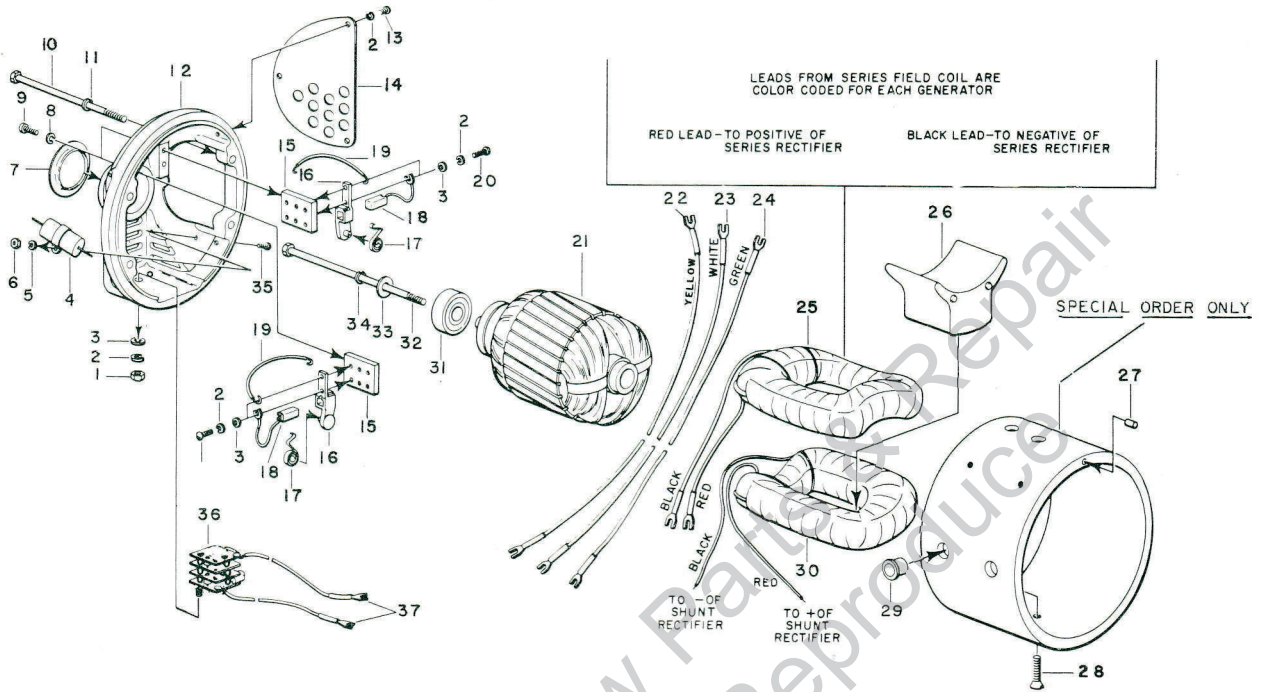


# GENERATOR END

9A115 & 9A115/230

## CONTROL BOXES

See page 12





Parts used in each model are indicated by an asterisk (\*) in the corresponding column. A dagger (†) denotes an optional part available from your Homelite dealer.

No.	Description	Part No.	60 CYCLE		50 CYCLE		Qty.
			115	115/230	115	115/230	
1	NUT - 8-32	81009	*	*	*	*	3
2	WASHER - lock, #8	83000	*	*	*	*	as req'd.
3	WASHER - flat, #8	84025	*	*	*	*	as req'd.
4	CONDENSER	33600	*	*	*	*	1
5	WASHER - lock, #6	83004	*	*	*	*	1
6	NUT - 6-32	81002	*	*	*	*	1
7	CAP - bearing	61884	*	*	*	*	1
8	WASHER - lock, #10	83046	*	*	*	*	4
9	SCREW-fil., 10-32 x 3/4	80039	*	*	*	*	4
10	SCREW-hex, 1/4-20 x 7	80078	*	*	*	*	4
11	WASHER - lock, 1/4	83009	*	*	*	*	8
12	HEAD - brush	61610	*	*	*	*	1
13	SCREW-rd., 8-32	80260	*	*	*	*	6
14	COVER - brush head	61809	*	*	*	*	2
15	BLOCK - brush holder	61823	*	*	*	*	2
16	HOLDER - brush	61609	*	*	*	*	4
		61609	*	*	*	*	6
17	SPRING - brush	26341-1	*	*	*	*	4
		26341-1	*	*	*	*	6
18	BRUSH	26430-1	*	*	*	*	4
		26430-1	*	*	*	*	6
19	LEAD - #14 wire	① 8"	*	*	*	*	2
			*	*	*	*	3
20	SCREW-rd., 8-32 x 5/8	80360	*	*	*	*	as req'd.
21	ARMATURE	A-61933	*	*	*	*	1
		A-61935	*	*	*	*	1
		A-62050	*	*	*	*	1
		A-62051	*	*	*	*	1
22	LEAD - #10 wire	① 20"	*	*	*	*	1
23	LEAD - #10 wire	① 16"	*	*	*	*	1
24	LEAD - #14 wire	① 24"	*	*	*	*	1
25	COIL - field, series	A-61806	*	*	*	*	1
		A-62628	*	*	*	*	1
26	POLE - field	AA-973	*	*	*	*	2
27	PIN - locating	19252	*	*	*	*	1
28	SCREW-flat, 5/16-18 x 1	80400	*	*	*	*	4

No.	Description	Part No.	60 CYCLE		50 CYCLE		Qty.
			115	115/230	115	115/230	
29	BUSHING	26486	*	*	*	*	1
30	COIL - field shunt	A-61807	*	*	*	*	1
31	BEARING - ball	26155-S	*	*	*	*	1
32	BOLT-hex, 5/16-24 x 9 1/8	82081	*	*	*	*	1
33	WASHER - flat, 5/16	84058	*	*	*	*	1
34	WASHER - lock, 5/16	83002	*	*	*	*	3
35	SCREW-rd., 6-32 x 1/2	80123	*	*	*	*	1
36	RECTIFIER - shunt	75975	*	*	*	*	1
37	LEAD - #20 wire	① 8"	*	*	*	*	2
38	HOUSING - fan	61927	*	*	*	*	1
39	STRAP - muffler	AA-29146	*	*	*	*	2
40	STUD - plain, strap	18123-A	*	*	*	*	2
41	SCREW-fil., 1/4-20 x 2 1/4	80236-1	*	*	*	*	2
42	STUD - threaded, strap	50052	*	*	*	*	2
43	MUFFLER	27782	*	*	*	*	1
44	CLAMP - muffler	25236-1	*	*	*	*	1
45	GASKET-exhaust flange	60337	*	*	*	*	1
46	MANIFOLD - exhaust	AA-60336	*	*	*	*	1
47	NUT - 1/4-28	81065-2	*	*	*	*	4
48	SCREW-hex, 5/16-18 x 1	80085-1	*	*	*	*	2
49	WASHER - flat, 5/16	84001-1	*	*	*	*	16
50	BRACKET - muffler	60335	*	*	*	*	1
51	ANGLE-base (right)	A-61968	*	*	*	*	1
	Includes: SPACER	60032-A	*	*	*	*	1
52	NUT - lock, 5/16-18	81096	*	*	*	*	2
53	BOLT - carriage	82003	*	*	*	*	6
54	WASHER - lock	83003	*	*	*	*	14
55	NUT - 5/16-18	81018	*	*	*	*	14
56	SKID	A-62917	*	*	*	*	2
57	Includes: SPRING	25407	*	*	*	*	3
58	HANDLE	62932	*	*	*	*	2
59	SCREW-hex, 5/16-18 x 1 1/2	80087	*	*	*	*	8
60	SCREW-hex, 3/8-16 x 1 1/4	80599	*	*	*	*	4
61	WASHER - lock, 3/8	83018	*	*	*	*	4
62	ANGLE - base (left)	A-61967	*	*	*	*	1
	Includes: SPACER	60032-A	*	*	*	*	1

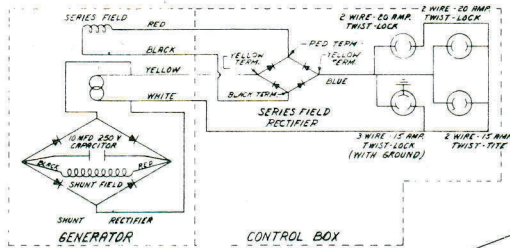
① Make up replacement leads from insulated wire of specified gauge, solid or stranded type; lead lengths approximate for easy replacement.

② Available on firm orders only; always give model and serial number.

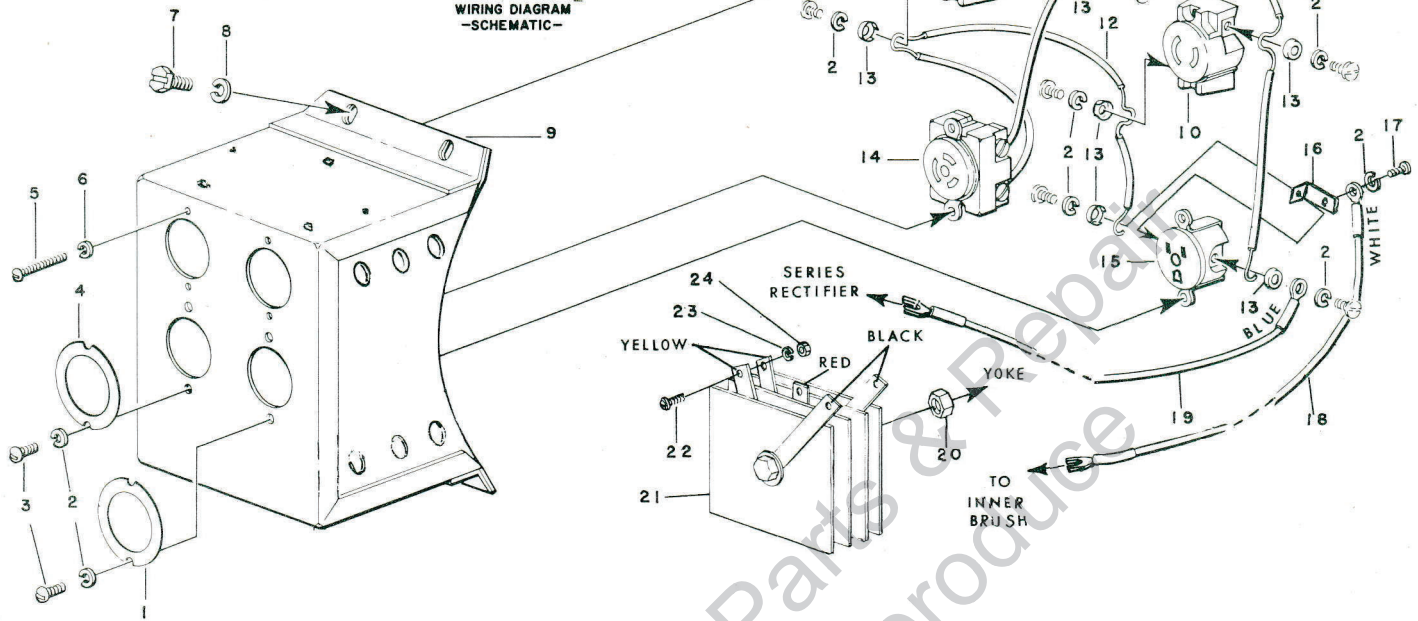


# CONTROL BOX

**115**  
50 - CYCLE - 60

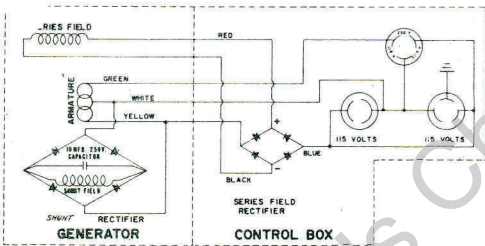


WIRING DIAGRAM  
-SCHEMATIC-

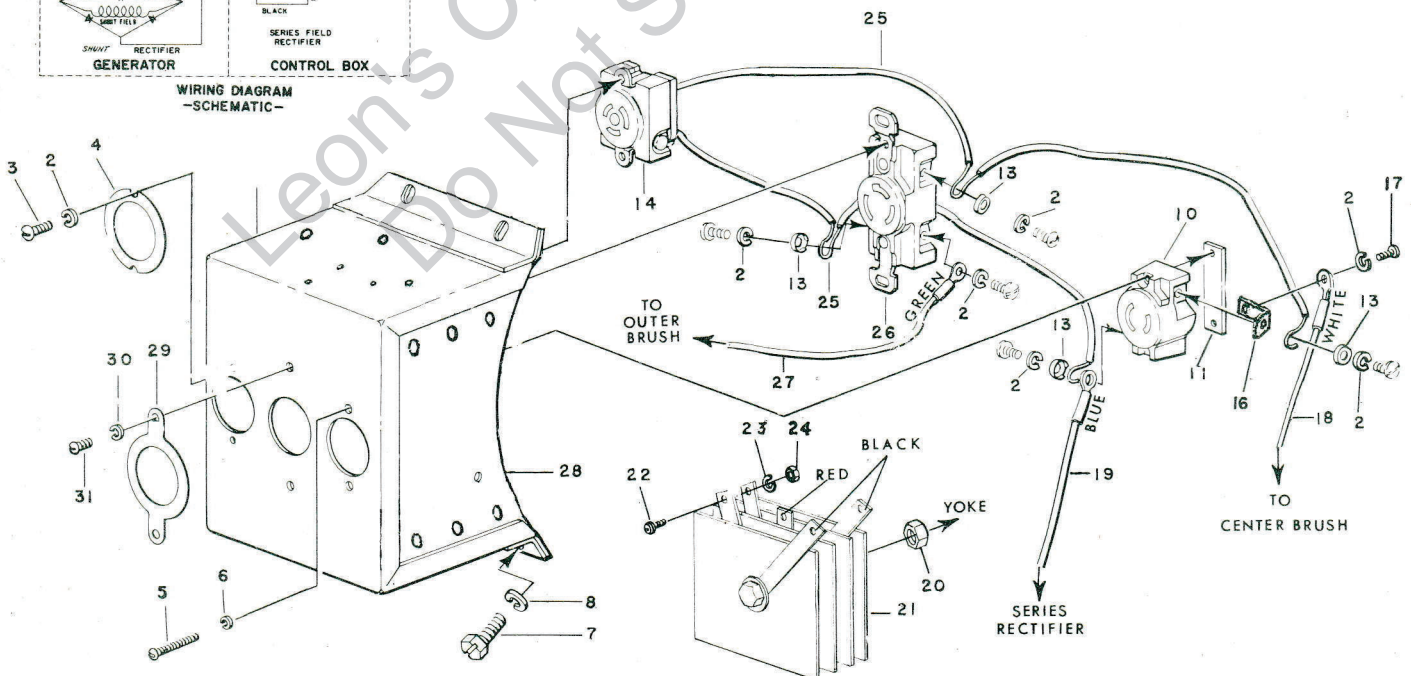


# CONTROL BOX

**115/230**  
50 - CYCLE - 60



WIRING DIAGRAM  
-SCHEMATIC-





Parts used in each model are indicated by an asterisk (\*) in the corresponding column. A dagger (†) denotes an optional part available from your Homelite dealer.

No.	Description	Part No.	115	115/ 230	Qty.
1	PLATE	62007	*		1
2	WASHER - lock	83000	*	*	as req'd.
3	SCREW - rd., 8-32 x 1/4	80019	*	*	as req'd.
4	PLATE	62008	*	*	1
5	SCREW	80407	*	*	as req'd.
6	WASHER - lock, 1/4	83008-1	*	*	as req'd.
7	SCREW - hex, 1/4-20 x 1/2	80355	*	*	4
8	WASHER - lock, 1/4	83009	*	*	4
9	BOX - control	62572-A	*		1
10	RECEPTACLE - 2 wire	AA-19117-1 ①	*		2
				*	1
11	STRAP - receptacle	26609	*		2
				*	1
12	LEAD - #14 wire ①	14"	*		2
13	WASHER - cup	26557	*	*	as req'd.
14	RECEPTACLE - 3 wire	30138 ②	*	*	1
15	RECEPTACLE	33777-1 ③	*		1

No.	Description	Part No.	115	115/ 230	Qty.
16	TERMINAL	41750	*	*	1
17	SCREW - binding, 8-32 x 3/8	80340	*	*	1
18	LEAD - #10 wire ①	16"	*	*	1
19	LEAD - #10 wire ①	10"	*	*	1
20	NUT - 5/16 - 18	81046	*	*	1
21	RECTIFIER - series	62573	*	*	1
22	SCREW - pan, 10-32 x 3/8	80579	*	*	5
23	WASHER - lock, #10	83006-1	*	*	5
24	NUT - 10-32	81010-1	*	*	5
25	LEAD - #14 wire ①	7"		*	2
26	RECEPTACLE - 3 wire, 230 volt ④	31511		*	1
27	LEAD - #14 wire ①	24"		*	1
28	BOX - control	62569		*	1
29	PLATE	62009		*	1
30	WASHER - lock,	83004-1		*	2
31	SCREW - rd., 6-32 x 5/16	80407		*	2

① Make up replacement leads from insulated wire of specified gauge, solid or stranded type; lead lengths are approximate for easy replacement.

ACCESSORIES (available from your dealer):  
AUTOMATIC IDLE CONTROL KIT - Part No. A-62901

MALE CAP  
Part No.

- ① 62250
- ② 27729
- ③ 33629
- ④ 62252

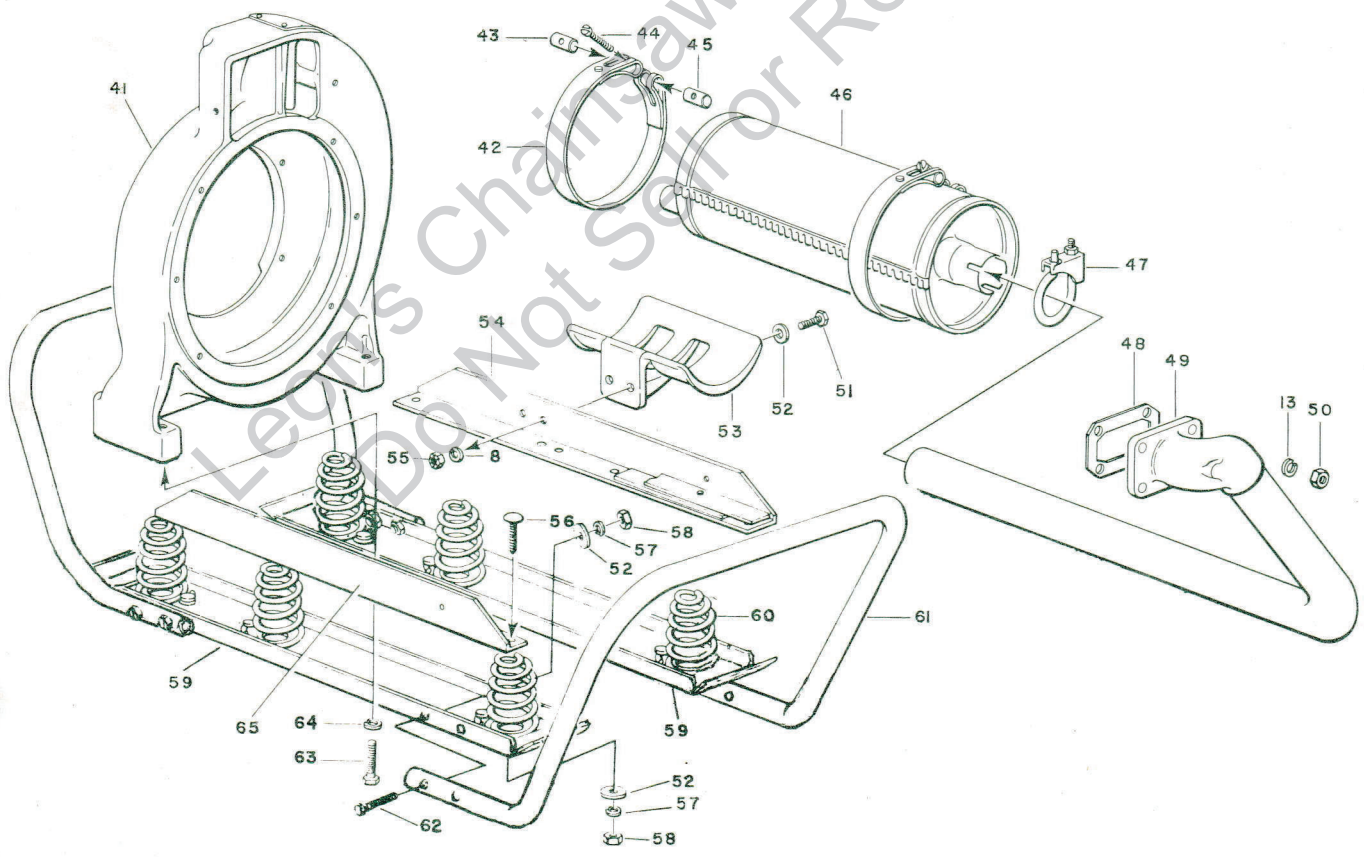
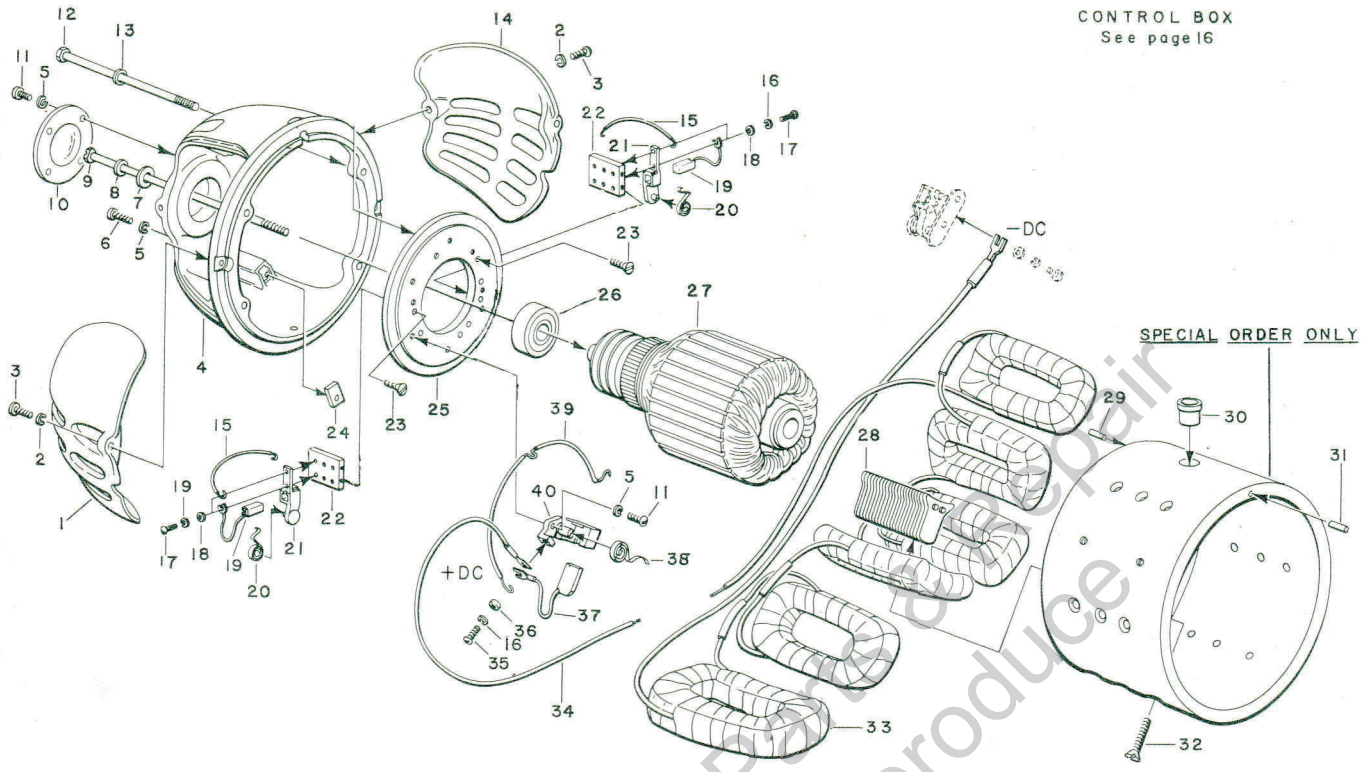
FEMALE BODY  
Part No.

- 62251
- 74119
- 33630
- 62253



# GENERATOR END 9HY

CONTROL BOX  
See page 16



always give model and serial number of unit when ordering parts



No.	Description	Part No.	Qty.
1	COVER - brush head	26614	1
2	WASHER - lock, #12	83056	4
3	SCREW - rd., 12-24x5/8	80289	4
4	HEAD - brush	26688	1
5	WASHER - lock #10	83006	16
6	SCREW - rd., 10-32x1/2	80040	4
7	WASHER - flat, 5/16	84058	1
8	WASHER - lock, 5/16	83002	3
9	BOLT - hex, 5/16-24x10 3/16	80616	1
10	CAP - bearing	26616	1
11	SCREW - fil., 10-32x1/2	80157	16
12	BOLT - hex,	80078	4
13	WASHER - lock, 1/4	83009	8
14	COVER - brush head	26615	1
15	LEAD - #14 wire	① 4"	3
16	WASHER - lock, #8	83000	18
17	SCREW - rd., 8-32x5/8	80360	12
18	WASHER - flat, #8	84025	12
19	BRUSH - AC	26430-1	6
20	SPRING - brush	26341-1	6
21	HOLDER - brush (AC)	61609	6
22	BLOCK - brush holder	61823	2
23	SCREW - flat, 10-32x5/8	80035	4
24	CLAMP - brush ring	26465	4
25	RING - brush	62307	1
26	BEARING - ball	26155-S	1
27	ARMATURE	A-62048	1
28	POLE - field	AA-60563	6
29	PIN	52084	1
30	BUSHING	26486	1
31	PIN	19252	1
32	SCREW - flat, 1/4-20x1	80058	18
33	COIL - field	AA-60562	6
34	LEAD - #14 wire	① 7"	1

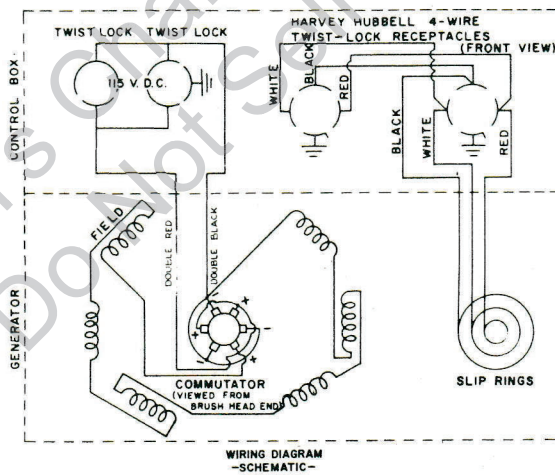
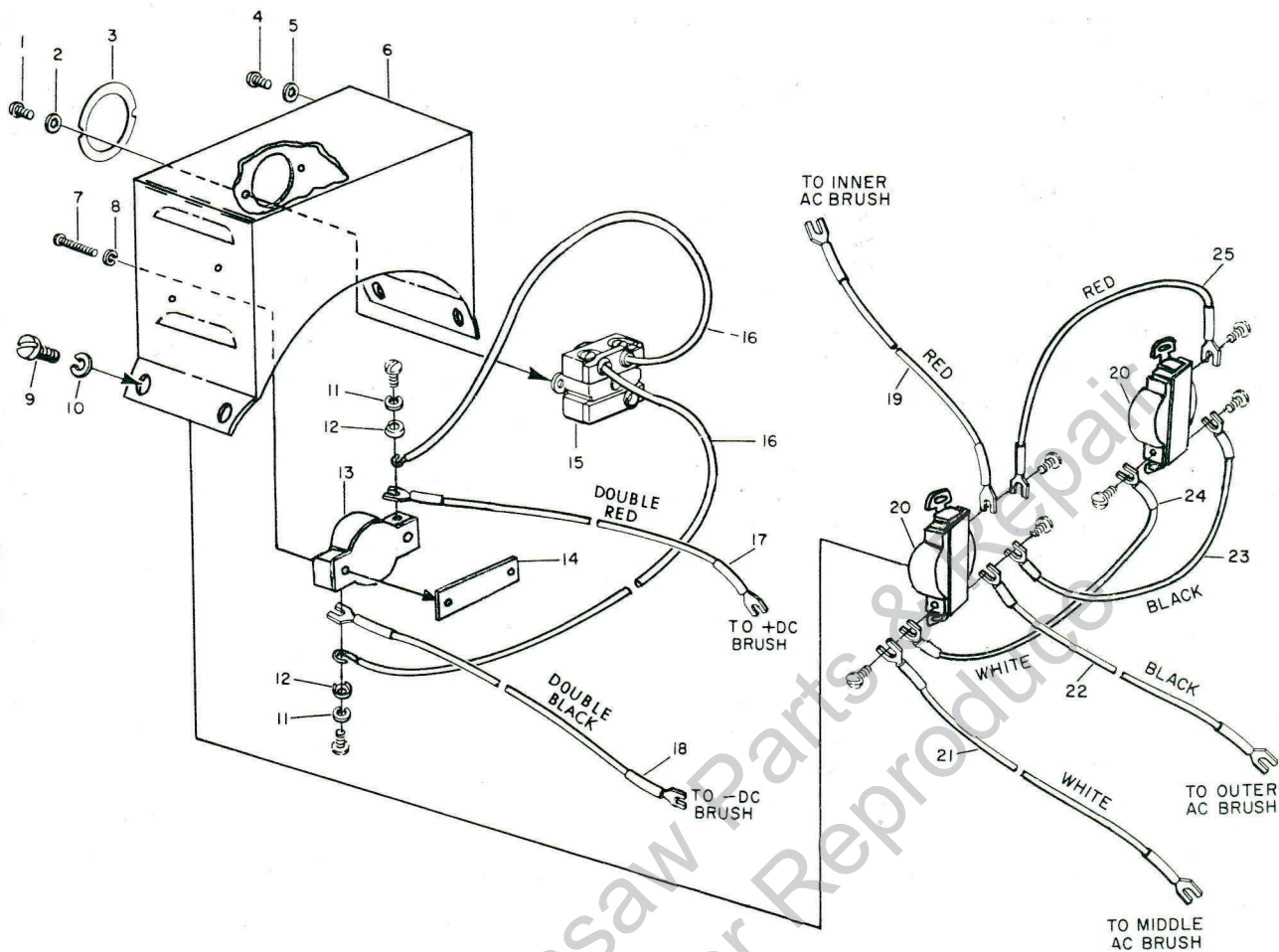
No.	Description	Part No.	Qty.
35	SCREW - rd., 8-32x7/16	80021	6
36	WASHER - cup	26557	6
37	BRUSH - DC	26975	6
38	SPRING - brush (DC)	52069	6
39	LEAD - #14 wire	① 14"	2
40	HOLDER - brush (DC)	60574-A	6
41	HOUSING - fan	61927	1
42	STRAP - muffler	AA-29146	2
43	STUD - plain	18123-A	2
44	SCREW - fil., 1/4-20x2 1/4	80236-1	2
45	STUD - threaded	50052	2
46	MUFFLER	27782	1
47	CLAMP - muffler	25236-1	1
48	GASKET - exhaust flange	60337	1
49	MANIFOLD - exhaust	AA-60336	1
50	NUT - 1/4-28	81065-2	4
51	SCREW - hex, 5/16-18x1	80085-1	2
52	WASHER - flat, 5/16	84001-1	16
53	BRACKET - muffler	60335	1
54	ANGLE - base (right) Includes: SPACER	A-61968 60032-A	1 1
55	NUT - lock, 5/16-18	81096	2
56	BOLT - carriage	82003	6
57	WASHER - lock, 5/16	83003	14
58	NUT - 5/16-18	81018	14
59	SKID	A-62917	2
60	Includes: SPRING	25407	3
61	HANDLE	62932	2
62	SCREW - hex, 5/16-18x1 1/2	80087	8
63	SCREW - hex, 3/8-16x1 1/4	80599	4
64	WASHER - lock, 3/8	83018	4
65	ANGLE - base (left) Includes: SPACER	A-61967 60032-A	1 1

① Make up replacement leads from insulated wire of specified gauge, solid or stranded type; lead lengths are approximate for easy replacement.



# CONTROL BOX

9HY





No.	Description	Part No.	Qty.
1	SCREW - rd., 8-32x5/16	80020	2
2	WASHER - lock, #8, int.	83022	2
3	PLATE - instruction	62008	1
4	SCREW - rd., 6-32x5/16	80247	4
5	WASHER - lock, #6, int.	83024	4
6	BOX - control	62478	1
7	SCREW - rd., 4-40x1 1/4	80407	2
8	WASHER - lock, #4	83008	2
9	SCREW - fil., 1/4-20x1/2	80045	4
10	WASHER - lock, 1/4	83009	4
11	WASHER - lock, #8	83000	2
12	WASHER - cup	26557	2

No.	Description	Part No.	Qty.
13	RECEPTACLE - 2-wire (DC)	AA-19117-1 ①	1
14	STRAP - receptacle	26609	1
15	RECEPTACLE - 3-wire (DC)	30138 ②	1
16	LEAD - #14 wire	① 6"	2
17	LEAD - #12 wire	① 16"	1
18	LEAD - #12 wire	① 17"	1
19	LEAD - #14 wire	① 17"	1
20	RECEPTACLE - 4-wire (AC)	77109-1 ③	2
21	LEAD - #14 wire	① 18"	1
22	LEAD - #14 wire	① 19"	1
23	LEAD - #14 wire	① 7"	1
24	LEAD - #14 wire	① 8"	1
25	LEAD - #14 wire	① 7"	1

① Make up replacement leads from insulated wire of specified gauge, solid or stranded type; lead lengths are approximate for easy replacement.

ACCESSORIES (available from your dealer):  
AUTOMATIC IDLE CONTROL KIT - Part No. A-62894

MALE CAP Part No.	FEMALE BODY Part No.
① 62250	62251
② 27729	74119
③ 62162	62163

SPECIAL TOOLS (available from your HOMELITE Dealer)

	Part No.	Application
ENGINE -	S-395	PLUG - bearing
	AA-202	PULLER - fan
	22481	WRENCH - socket head screw
PUMP -	62454	WRENCH - spanner
	20024	WRENCH - spanner
	A-62680	WRENCH - spanner & socket
GENERATOR -	S-394	JACKSCREW - armature
	22271	PIN - armature (9A115, 9A115/230)
	22272	PIN - armature (9HY)
PAINT -	23343	SPRAY CAN - green



**You'll  
SPEED WORK  
and make  
MORE MONEY  
with...**

# **HOMELITE**

**SELF-PRIMING PUMPS**



**DEPENDABLE GENERATORS**



**POWERFUL ONE-MAN CHAIN SAWS**



**ONE-MAN CONCRETE VIBRATORS**



**ELECTRIC BUILDER'S HAMMERS**

# **HOMELITE**

A **Textron** DIVISION

**PORT CHESTER, N. Y.**

Printed in United States of America

Part No. 23898