

# Homelite®

## PARTS LIST

# 8800 CHAIN SAW

UT10731

UT10731-A

UT10731-B

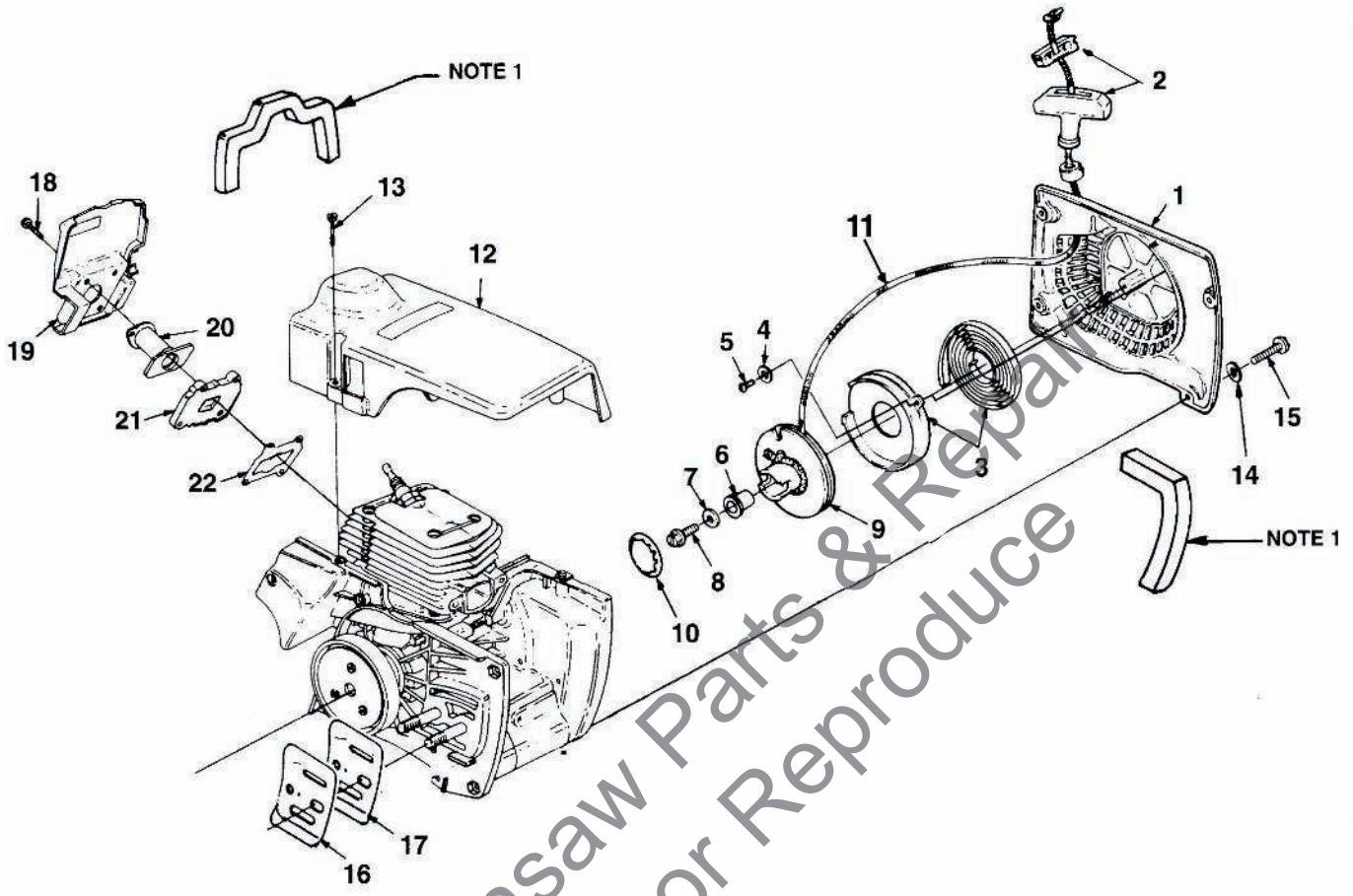
UT10731-C

Leon's Chainsaw Parts & Repair  
Do Not Sell or Reproduce

Printed in U.S.A.  
**PART NO. 19018-A**

# 8800

## FIGURE 1

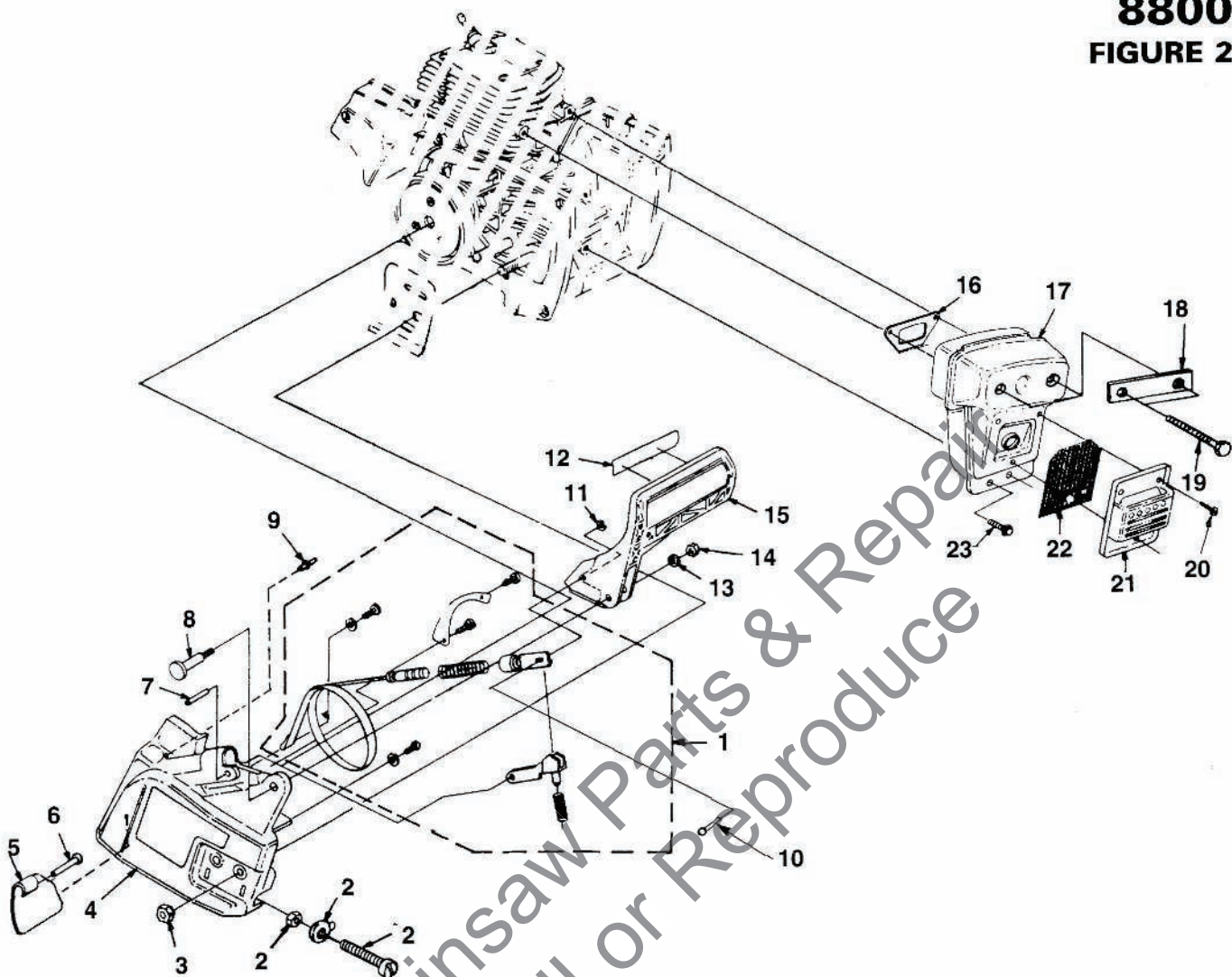


### PARTS LIST-FIGURE 1

NO.	PART NO.	DESCRIPTION	QTY.
1	A-02128-A	STARTER-Complete	1
2	A-69962-B	GRIP-Starter w/Insert	1
3	A-98067	SPRING & RETAINER	1
4	84025	WASHER-Flat (#8)	3
5	82528	SCREW-Thread Form. (6 X 3/8")	2
6	97992-A	BUSHING-Starter Post	1
7	58763	WASHER-Retaining (23/32 OD), (.213 ID)	1
8	82409	SCREW-Thread Form. (#10-14 X5/8")	1
9	A-97990-C	PULLEY & ROPE	1
10	02505	SPRING-Grip	1
11	A-00518	ROPE-Starter	1
12	A-02121	COVER-Cylinder	1
13	93397-A	SCREW-Cylinder Cover	3
14	84003	WASHER-Flat (#10)	4
15	82562	SCREW-Pan Hd. (10-24 X 5/8")	4
16	70400	PLATE-Guide Bar	1
17	70399	PLATE- Guide Bar (Inner)	1
18	82248	SCREW-Mach. Hex Hd. (8-32 X 3/4")	4
19	97338-1A	BAFFLE-Cylinder	1
20	97263-2	BOOT-Intake	1
21	02822	ADAPTOR-Intake	1
22	04635	GASKET-Intake	1

NOTE 1: A-03611-A FOAM KIT

ASSEMBLIES

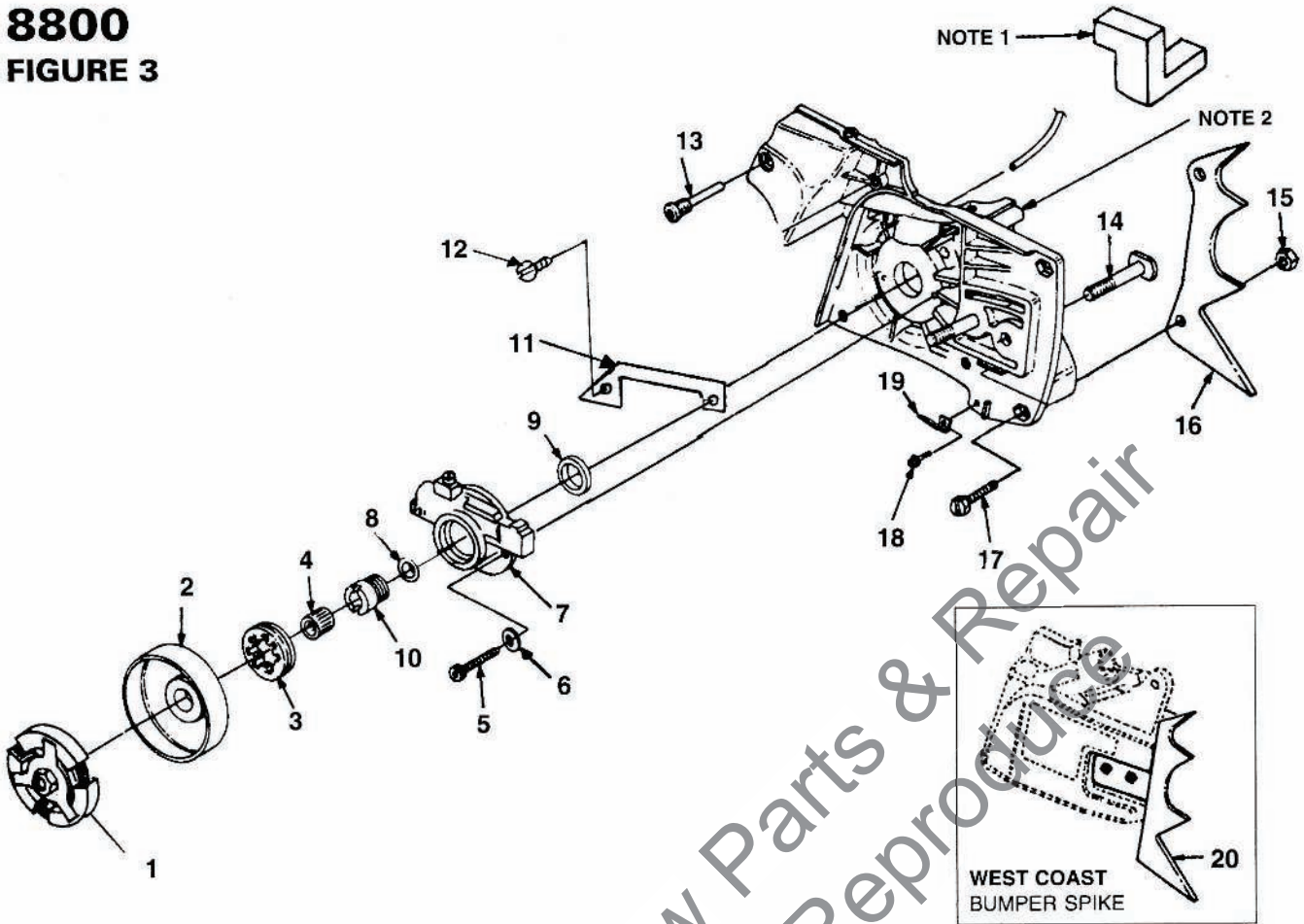


**PARTS LIST-FIGURE 2**

NO.	PART NO.	DESCRIPTION	QTY.
1	▣ A-04888	BRAKE BAND ASSY.	1
2	▣ A-04889	GUIDE BAR ADJUSTER	1
3	81089-2	NUT-Hex (10-24)	2
4	A-98727-C	COVER-Drive Case	1
5	04634	SAWDUST SHIELD	1
6	85154	RIVET-Pan Hd. (.187 X .381)	1
7	98456	PIN (5M X 16MM)	1
8	98461	SCREW-Shoulder (M5)	1
9	97331	PIN-Shoulder Dowel	1
10	98422-A	PIN (.156 dia.)	1
11	01820	RING-Snap	1
12	02661	DECAL-Handguard	1
13	83203	WASHER-Belleville (12MM)	1
14	98457	NUT (5MM)	1
15	98740	HANDGUARD	1
16	97682-B	GASKET-Muffler	1
17	A-04429	MUFFLER	1
18	04431-A	PLATE-Retaining	1
19	82592	SCREW-Hex Cap (1/4-20 X 3 1/4")	2
20	80560	SCREW-Machine Pan Hd. (8-32 X 1/2")	3
21	A-98747	CAP-Muffler	1
22	98827	SCREEN-Spark Arrestor	1
23	82555-1	SCREW-Truss Hd. (10-24 X 3/4")	2

▣ ASSEMBLIES

**8800**  
**FIGURE 3**



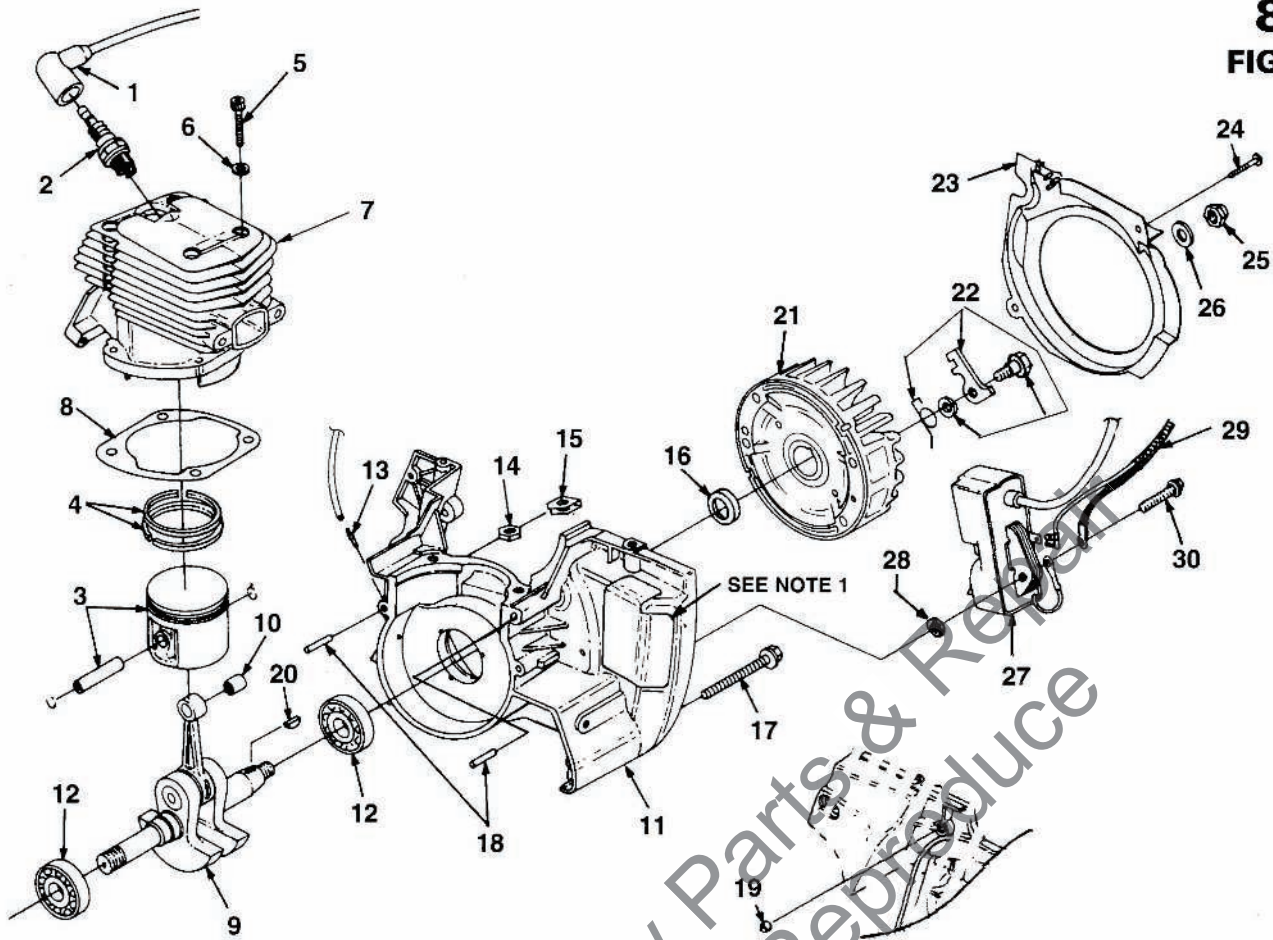
**PARTS LIST-FIGURE 3**

NO.	PART NO.	DESCRIPTION	QTY.
1	A-00022-A	CLUTCH	1
2	A-00351-1	DRUM & HUB	1
3	95058-A	SPROCKET (7T X 3/8P)	1
4	98883	BEARING-Needle	1
5	82283	SCREW-Cap Socket Hd. (10-14 X 3/4")	2
6	84003	WASHER-Flat (#10)	2
7	•A-04891	OIL PUMP	1
8	84119	WASHER-Thrust	1
9	58308-B	SEAL-Shaft	1
10	A-00357-A	WORM & BEARING	1
11	04621	SHIELD-Pump	1
12	80575	SCREW-Slotted Hd. (8-32 X 1/4")	2
13	93367	PIN-Isolator	6
14	93918-A	BOLT-Guide Bar (3/8-16 X 2")	2
15	81225	NUT-Hex (#12-24)	2
16	01233	BUMPER SPIKE	1
17	82572	SCREW-SocketCap (12-24 X 5/8")	2
18	96620	SCREW-Torx Hd. (10-24 X 1/2")	1
19	04626	CHAIN-Stop	1
20	A-98969-A	BUMPER SPIKE (West Coast)	1

NOTE 1: A-03611-A FOAM KIT

NOTE 2: See FIG. 4, Item #11

# 8800 FIGURE 4



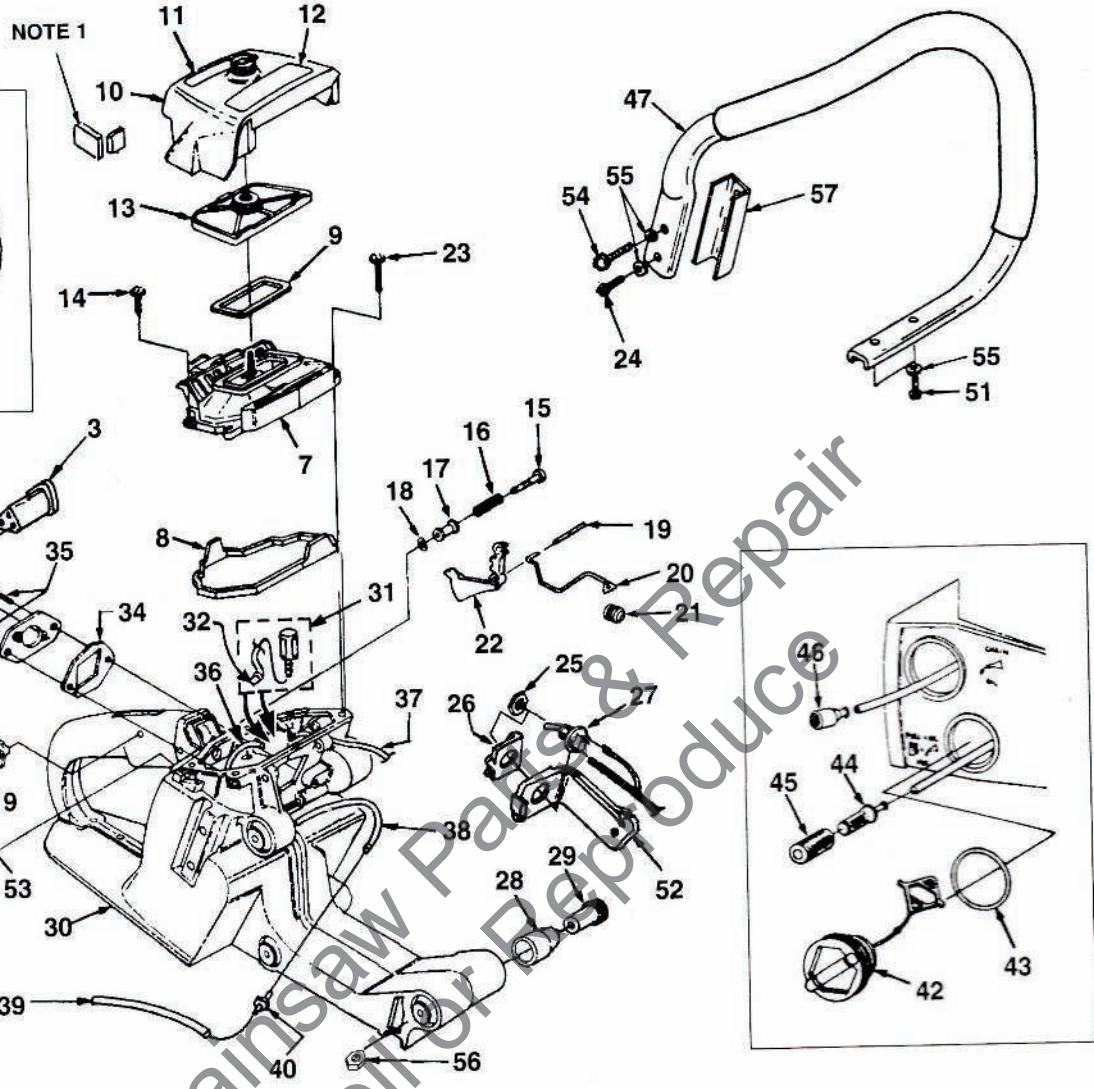
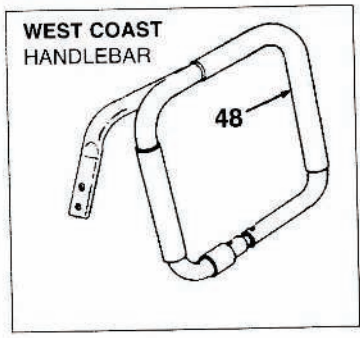
## PARTS LIST-FIGURE 4

NO.	PART NO.	DESCRIPTION	QTY.
1	A-33055	TERMINAL-Spark Plug	1
2	98217-S	SPARK PLUG (RCJ6Y)	1
3	A-02824-1B	PISTON & PIN ASSY.	1
4	02825	PISTON RING	2
5	82246	SCREW-Cap Socket (10-24 X 1")	4
6	12021	WASHER-Conical (#10)	4
7	A-02830-A	CYLINDER & PISTON (Matched)	1
8	97316	GASKET-Cylinder	1
9	A-00792-A	CRANKSHAFT & ROD	1
10	93519	BEARING-Needle	1
11	A-07082	CRANKCASE ASSY.	1
12	94621-A	BEARING-Ball	2
13	69833	FITTING-Tube	1
14	81208	NUT-Lock Hex (10-24)	2
15	12689-A	NUT-Retainer	2
16	58308-B	SEAL-Shaft	1
17	88057	SCREW-Hex Sems (10-24 X 2")	5
18	31062	PIN-Dowel	2
19	97330	BUSHING	1
	93918-A	BOLT-Guide Bar (See Fig. 3, Item 14)	2
20	75078	KEY-Woodruff	1
21	A-02085-B	ROTOR	1
22	A-03610	STARTER PAWL KIT	1
23	02133	SCROLL-Air Guide	1
24	80582	SCREW-Machine Pan Hd. (8-32 X 5/8")	2
25	81255	NUT-Locking Hex (3/8-24)	1
26	95479-A	WASHER-Flat (.687OD), (.387ID)	1
27	A-04890-A	MODULE ASSEMBLY	1
28	04617	SPACER-Isolating	2
29	A-98583-1D	LEAD-Ground w/Grommet	1
30	88052	SCREW-Hex Hd.(10-24 X 7/8")	2

NOTE 1: A-03611-A FOAM KIT

# 8800

## FIGURE 5



### PARTS LIST-FIGURE 5

NO.	PART NO.	DESCRIPTION	QTY.
1	82527	SCREW-Hex Cap (10-14 X 2")	2
2	A-07571	CARBURETOR KIT	1
3	97295	GROMMET	2
4	97292-1	ROD-Choke	1
5	64862	GROMMET	1
6	93385-A	TRIGGER-Lock	1
7	A-97296-A	COVER-Carburetor Chamber	1
8	97298	GASKET-Carburetor Chamber	1
9	04635	GASKET-Air Filter	1
10	A-04636	COVER-Air Filter	1
11	00780	DECAL-Warning	1
12	96731	DECAL-Warning	1
13	A-97303-B	ELEMENT-Filter	1
14	80577	SCREW-Machine Pan Hd. (8-32 x 3/8")	2
15	95671	PIN-Throttle Lock	1
16	95020	SPRING-Compression	1
17	95989	BUSHING-Flanged	1
18	58409	RING-Retaining	1
19	68548	PIN-Trigger	1
20	97294-A	ROD-Throttle	1
21	69889	BOOT-Throttle Rod	1
22	93842	TRIGGER-Throttle	1
23	80582	SCREW-Pan Hd. (8-32 X 5/8")	2
24	82283	SCREW-Socket Cap (10-24 X 3/4")	2
25	72084-A1	NUT-Hex	1
26	12893	PLATE-Indicating	1
27	A-57650-A	SWITCH-Toggle	1
28	97305-2	ISOLATOR-Vibration	6

NO.	PART NO.	DESCRIPTION	QTY.
29	97262	SLEEVE-Flanged	6
30	A-97286-A	HOUSING-Engine	1
31	A-07012	TANK VENT KIT	2
32	96841	VALVE-Duck Bill	1
33	97290-2A	ADAPTOR-Carburetor	1
34	97291	GASKET-Carburetor	1
35	96620	SCREW-Torx Truss (10-24 X 1/2")	2
36	93112-38	TUBING-Rubber (Fuel Line, 9 1/2")	1
37	93157-26	TUBING-Rubber (Pulse Line, 6 1/2")	1
38	93112-20	TUBING-Rubber (Oil Line, 5")	1
39	70454-23	TUBING-Rubber (5 3/4")	1
40	02067	FITTING-Inline Fuel	1
41	97265	SPRING-Flat	1
42	A-03131	CAP-Fuel & Oil	2
43	98805-A	GASKET-Fuel & Oil Cap	1
44	A-97700	FILTER-Fuel	1
45	59253-1A	ELEMENT-Felt Filter	1
46	A-68593	OIL FILTER	1
47	A-04623	HANDLE BAR	1
48	A-04624	HANDLE BAR (West Coast)	1
49	49671	GASKET-Carburetor Shield	1
50	49673-2	SHIELD-Carburetor	1
51	80345	SCREW-Socket Cap (10-32 X 5/8")	2
52	97306-A	COVER	1
53	86324	PIN-Cotter	1
54	82169	SCREW-Socket Cap (10-32 X 7/8")	1
55	12021	SCREW-Washer	4
56	81206	Nut-Locking Hex (10-32)	3
57	A-07435	NEST KIT- (Includes 24, 51, 54, 55 & 56)	1

NOTE 1: A-03611-A FOAM KIT

•ASSEMBLIES

**NOTES**

Leon's Chainsaw Parts & Repair  
Do Not Sell or Reproduce

## 8800 ACCESSORIES

A-22808-A .... COMBINATION WRENCH  
A-98969-A .... BUMPER SPIKE  
98888-C .... 32:1 MIX OIL (1/4 Pint)  
01231-D .... EXACT MIX OIL  
98664-C .... BAR & CHAIN OIL (Qrt.)  
98665-B .... BAR & CHAIN OIL (Gal.)  
D-92680-B .... GREASE GUN (Sprocket Nose)  
DA-70790-C .... SAFETY TIP

97231 .... SCABBARD, GUIDE BAR  
04340 .... SAFETY GOGGLES  
92815 .... SAFETY HAT  
92810 .... EAR PROTECTORS  
A-02977-A .... FUEL CAN (2 1/2 Gal.)  
A-02978-A .... FUEL CAN (5 Gal.)  
24823 .... SILASTIC, SEALER  
18453 .... GREASE, MILTI-PURPOSE

### CUSTOMER ASSISTANCE

FOR THE LOCATION OF YOUR  
NEAREST HOMELITE SERVICING  
DEALER IN THE UNITED STATES,  
PUERTO RICO, AND  
THE VIRGIN ISLANDS,

CALL:

**1-800-242-4672**

### HEADQUARTERS

**Homelite, Inc.**  
P.O. BOX 7047  
CHARLOTTE, N.C. 28241

### OVERSEAS OFFICES

#### EUROPE, AFRICA & MIDDLE EAST

Homelite Netherlands B.V.  
A Deere & Company Affiliate  
Haverstraat 24  
2153 GB Nieuw Vennep  
The Netherlands

#### FRANCE

Homelite Atlantic SARL  
Groupe Deere & Co.  
BP 7011  
95050 Cergy Pontoise Cedex  
France

#### AUSTRALIA

Homelite Pacific Ltd.  
A Deere & Company Affiliate  
ACN 008 683 538  
94 Rushdale Street  
P.O. Box 555 MDA  
Australia

### CANADIAN OFFICES

#### Homelite Canada Limited

#### Homelite Canada Limitée

A Deere & Company Affiliate/  
Une Filiale de Deere & Company  
1850-55e/th Avenue  
Lachine, Québec, Canada H8T 3J5  
1-800-363-5715

UNIT 212-214, 590 Ebury Place  
New Westminster, B.C. V3M 6K7  
1-800-667-3128

20-D Voyager Court South  
Etobicoke, Ontario M9W 5M7  
1-800-465-2249

**Homelite**.INC.  
A Subsidiary of Deere & Company