

PARTS LIST

SEPT., 1958

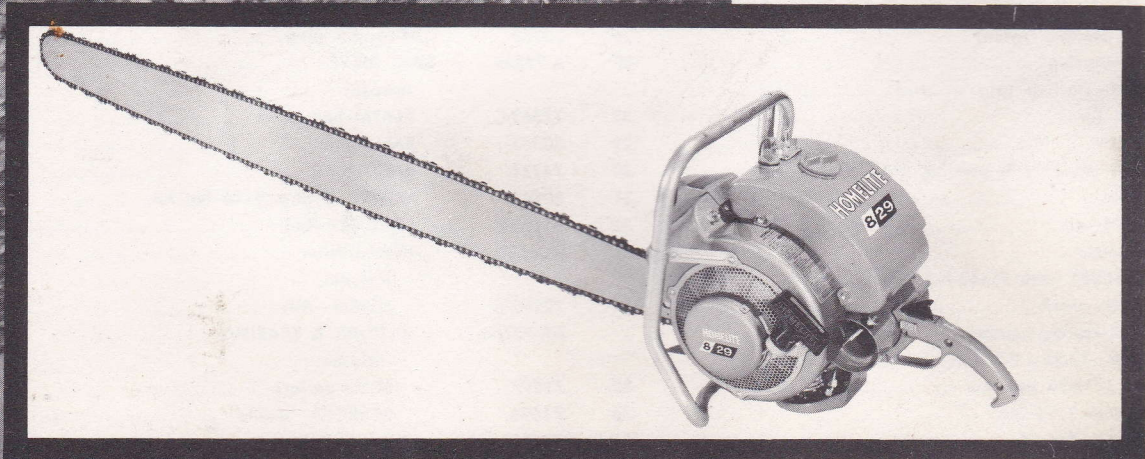


Leon's Chainsaw Parts & Repair
Do Not Sell or Reproduce

HOMELITE

8 29

World's Most
Powerful One-Man
Chain Saw!



HOMELITE CHAIN SAW MODEL 8-29

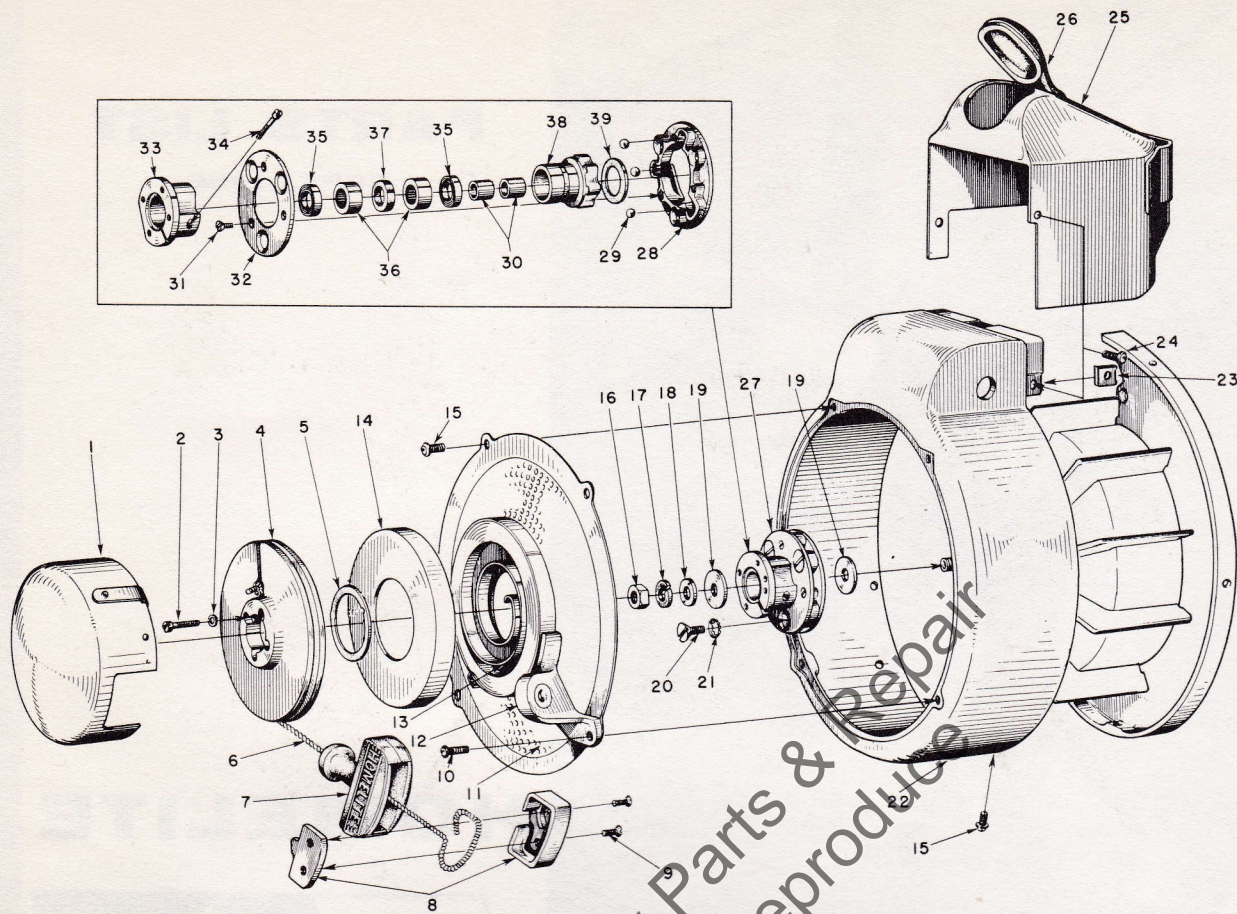


FIGURE 1 — RECOIL STARTER

SEPT. 1958

Index No.	Part No.	Description	No. Required	Index No.	Part No.	Description	No. Required
1	AA-73234-1	COVER—starting pulley	1	22	A-74474	SHROUD—air	1
	77287	DECAL	1			Includes	
2	80475	SCREW—6-32 x 3/4 fil. hd.	4	23	81094-1	NUT—speed	2
3	83004	WASHER—#6 lock	4		74475	GROMMET (not shown)	1
4	55597-1	PULLEY—starting	1	24	80577	SCREW—8-32 x 3/8 pan hd.	2
5	71588	SHIM—plastic	As Req.	25	AA-73403	SHIELD—cylinder	1
6	55898	ROPE—starting (nylon)	1	26	72138	CAP—spark plug	1
7	55937	GRIP—starting	1	27	A-77339	BALL DRIVE	1
8	A-56081	INSERT—starting grip w/cover	1			Includes	
		Includes		28	71563-C	PLATE—ball drive	1
9	80619	SCREW	2	29	30355-1	BALL—steel	3
10	80572	SCREW—10-32 x 5/8 pan hd. (through bracket)	1	30	74221	RACE—inner	2
11	A-74362	SCREEN—air	1	31	80464	SCREW—5-40 x 5/16 flat hd.	3
		Includes		32	71570-B	RETAINER—ball	1
12	A-74361	BRACKET (with 55363-A bushing)	1	33	A-56520	HUB—ratchet	1
13	56497	SPRING—recoil	1			Includes	
14	71603	COVER—spring housing	1	34	72295-A	SCREW—Allen	1
15	80578	SCREW—10-32 x 7/16 pan hd.	6		AA-72306-1	RATCHET & BEARING	1
16	81110	NUT—7/16-20 hex jam	1			Includes	
17	83019	WASHER—7/16 lock	1	35	71597	SEAL—garlock	2
18	84055	WASHER—flat alum.	1	36	71596	BEARING—needle	2
19	71598-A	WASHER—thrust	2	37	71595	WICK—felt	1
20	80173	SCREW—1/4-20 x 5/8 flat hd.	3	38	AA-73549	RATCHET	1
21	83074	WASHER—1/4 countersunk lock	3			Includes	
				39	73525	WASHER—formica	1

HOMELITE CHAIN SAW MODEL 8-29

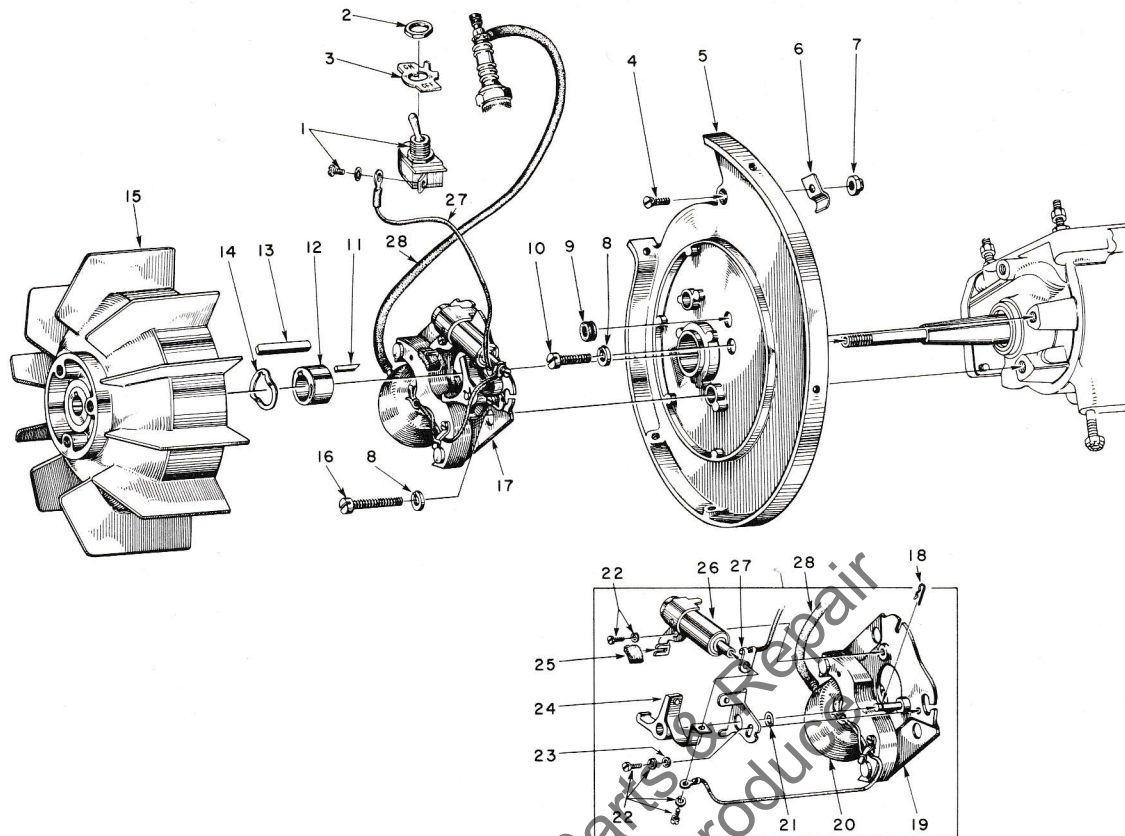


FIGURE 2 — IGNITION

SEPT. 1958

Index No.	Part No.	Description	No. Required
1	AA-72094-A	SWITCH—"on-off"	1
		Includes	
2	72084-A1	NUT	1
3	55879	PLATE—"on-off"	1
4	80031	SCREW—10-32 x 1/2 flat head	1
5	71989-A	PLATE—back	1
6	72133	CLAMP	1
7	81109	NUT—10-32 flex. lock	1
8	83009	WASHER—1/4 lock	3
9	71488	GROMMET	1
10	80055	SCREW—1/4-20 x 3/4 fil. hd.	1
11	71349	KEY—cam	1
12	72126	CAM	1
13	19797	KEY—rotor	1
14	60407	WASHER—spring	1
15	72129	ROTOR	1

Index No.	Part No.	Description	No. Required
16	80161	SCREW—1/4-20 x 1 1/8 fil. hd.	2
17	AA-72394	STATOR—magneto (see inset)	1
		Includes	
18	28008	LOCK—spring	1
19	72395	PLATE & CORE	1
20	72397	COIL—magneto	1
21	84061	WASHER—breaker arm	as req
22	72486	SCREW—(w/washer)	3
23	72484	WASHER—contact plate	1
24	72398	POINTS—(set)	1
		Includes	
25	30267	WICK—felt	1
26	72396	CONDENSER	1
27	AA-72399	LEAD—ground	1
28	AA-72400	LEAD—high tension	1

HOMELITE CHAIN SAW MODEL 8-29

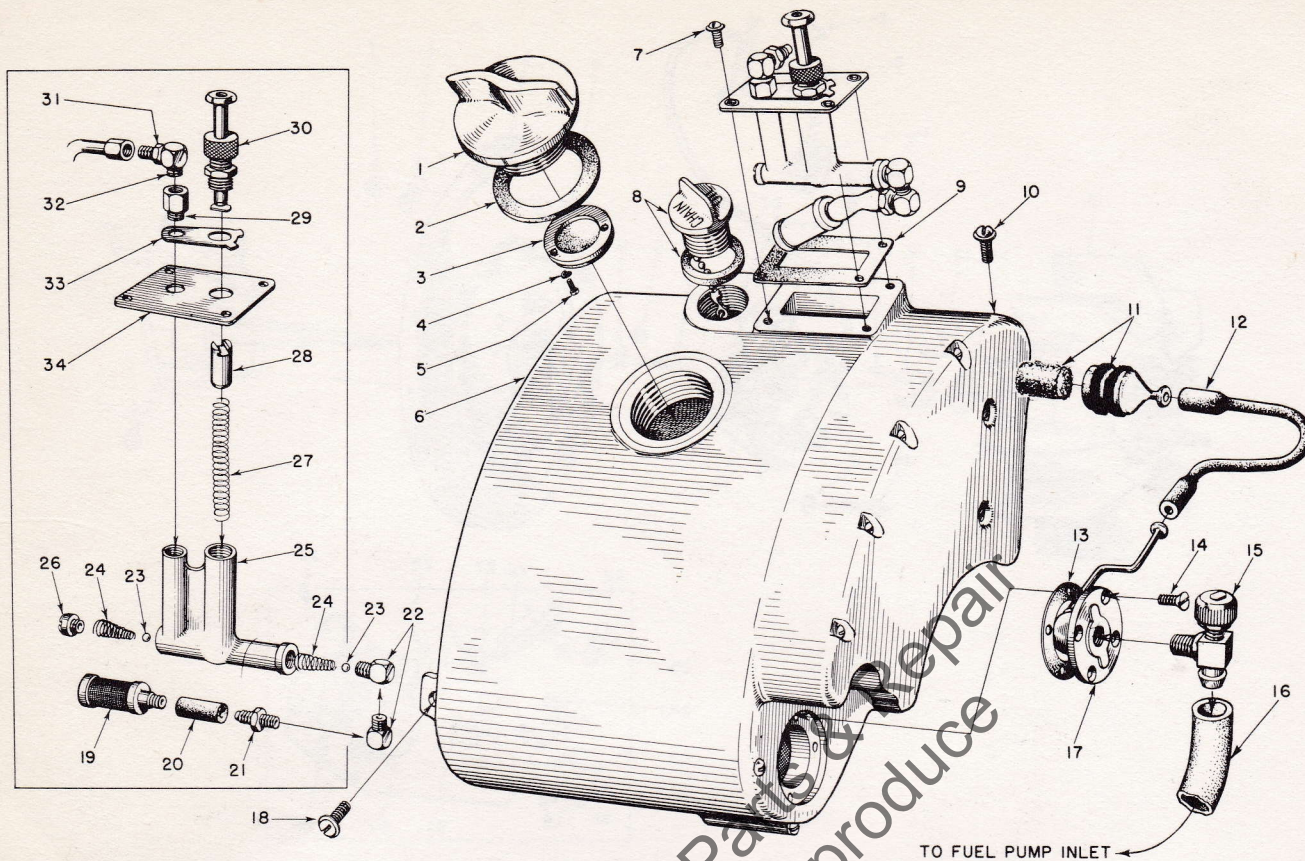


FIGURE 3—FUEL TANK

SEPT. 1958

Index No.	Part No.	Description	No. Required	Index No.	Part No.	Description	No. Required
1	A-55305	FUEL CAP	1	15	55738	VALVE—shut-off	1
		Includes		16	74919	FUEL LINE—to fuel pump inlet	1
2	72173	GASKET—fuel cap	1	17	A-74704	FITTING—outlet (w/tube)	1
3	A-55301-B	VALVE—relief	1	18	80572	SCREW—10-32 x 5/8 pan hd.	2
4	83083	WASHER—#3 lock	3		AA-72177-1	OIL PUMP—(see inset at left)	1
5	80592	SCREW—3-48 x 1/2	3			Includes	
6	A-74498	FUEL TANK	1	19	AA-72178	TUBE and SCREEN	1
	77286-A	DECAL—8-29 (top of tank)	1	20	73693	SLEEVE—rubber	1
	77289-A	DECAL—8-29 (side of tank)	1	21	31733-1	ADAPTER—straight	1
7	80571	SCREW—6-32 x 3/8 pan hd.	4	22	31734	CONNECTOR—90° elbow	2
8	AA-71655-1	OIL CAP	1	23	25527	BALL—check	2
		Includes		24	71760	SPRING—check valve	2
	72280	GASKET	1	25	71761	BODY—pump	1
9	71551	GASKET—lubricator cover	1	26	71759	SCREW—plug	1
10	80583	SCREW—10-32 x 3/4 pan hd.	1	27	71762	SPRING—plunger	1
11	A-56200	STRAINER—outlet (w/brass nail)	1	28	A-74406	TUBE—plunger w/74388 "o" ring	1
		Includes		29	71765	ADAPTER—connector	1
	74374	FILTER—felt	1	30	71764	BUTTON—plunger	1
	56196	BUMPER—rubber	2	31	31733-1	ADAPTER—straight (to oil line)	1
12	55805	SLEEVE—flexible	1	32	31734	CONNECTOR—90° elbow	1
13	72174	GASKET—outlet fitting	1	33	72681	PLATE—pump locking	1
14	80451	SCREW—6-32 x 3/8 flat hd.	4	34	71550	COVER—lubricator body	1

HOMELITE CHAIN SAW MODEL 8-29

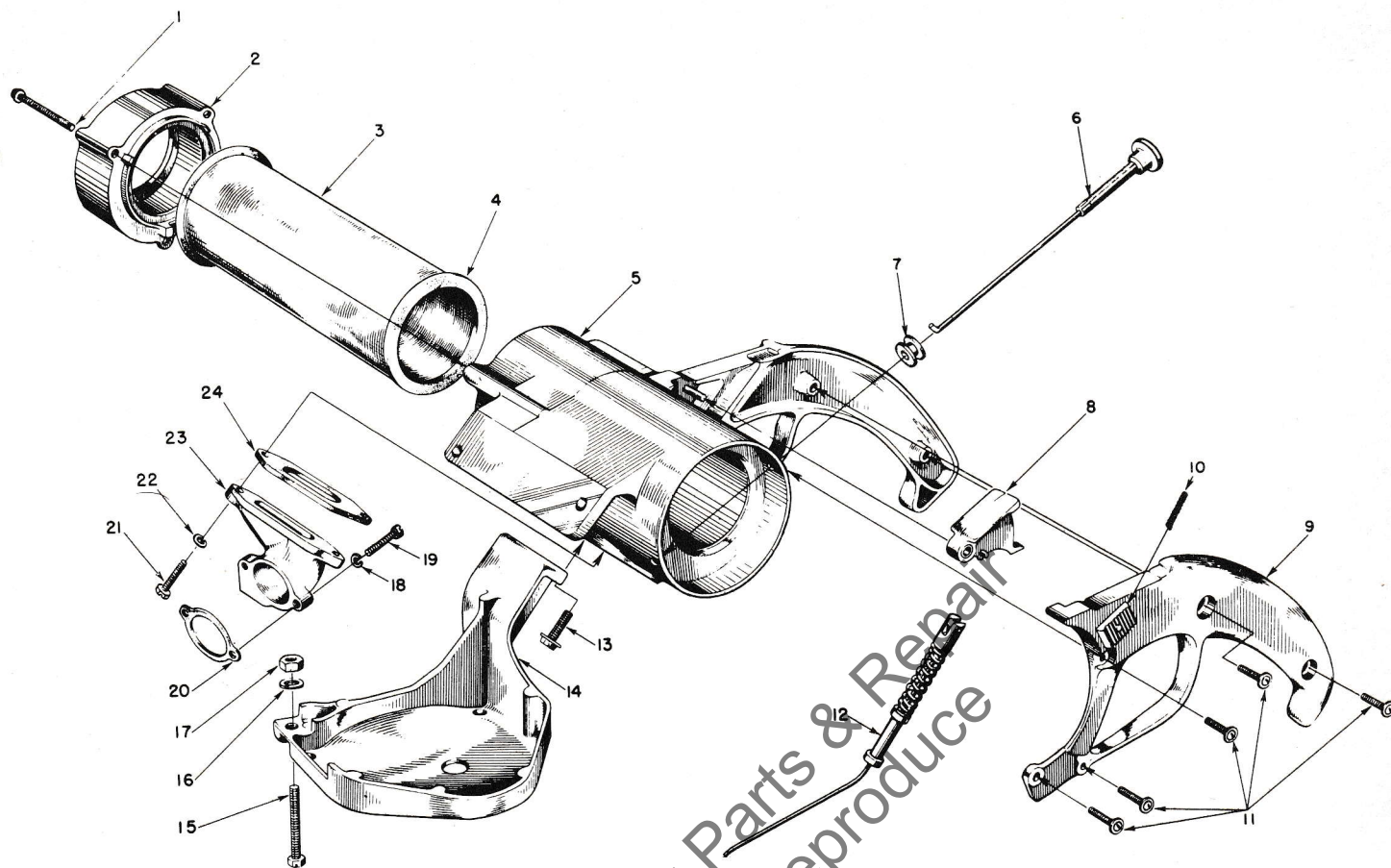


FIGURE 4 — PISTOL GRIP

SEPT. 1958

Index No.	Part No.	Description	No. Required
1	80633	SCREW—8-32 x 2 spinlock	3
2	A-74491	COVER—air filter (includes gasket)	1
	74492	GASKET—air filter cover	1
3	A-74490	FILTER—air	1
		Includes	
4	72967	GASKET—air filter	2
5	AA-73410	GRIP—pistol	1
6	AA-73392	ROD—choke	1
7	S-1007-1	GROMMET	1
8	AA-73055	TRIGGER—throttle	1
9	AA-73056	COVER—pistol grip	1
		Includes	
10	AA-73448	LOCK—throttle	1
		Includes	
	72970	SPRING—throttle lock	1

Index No.	Part No.	Description	No. Required
11	80560	SCREW—8-32 x 1/2	5
12	A-73804	SHAFT—throttle	1
13	80581	SCREW—1/4-20 x 5/8 hex. hd.	2
14	72859	GUARD—carburetor	1
15	80180-1	BOLT—1/4-20 x 1 1/2 hex. hd.	1
16	83009	WASHER—1/4 lock	1
17	81013	NUT—1/4-20 hex.	1
18	83000	WASHER—#8 lock	2
19	80023	SCREW—8-32 x 5/8 fil. hd.	2
20	72971	GASKET—carburetor intake	1
21	80566	SCREW—10-32 x 7/8 hex. hd.	2
22	83046	WASHER—#10 lock	2
23	72856-1	ELBOW—air cleaner	1
24	72995	GASKET—air elbow	1

HOMELITE CHAIN SAW MODEL 8-29

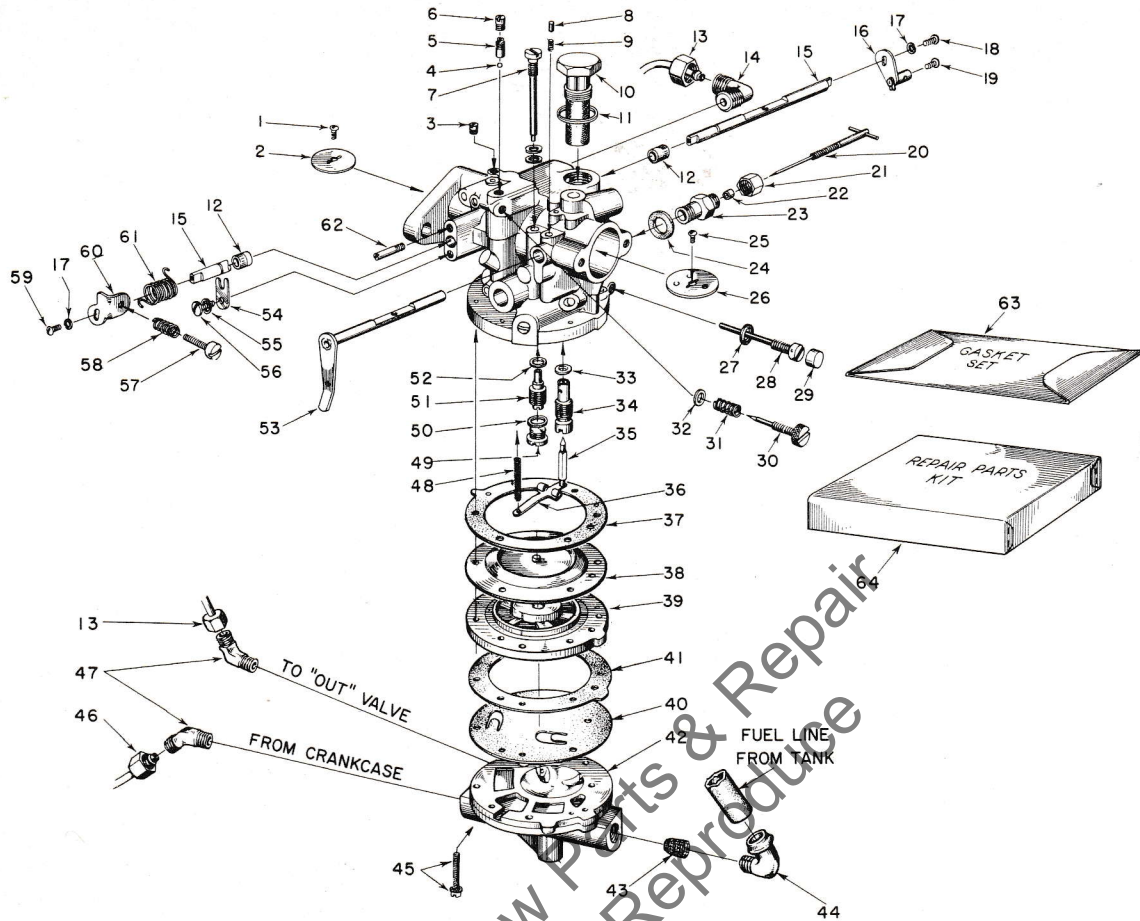


FIGURE 5 — TILLOTSON CARBURETOR PARTS

Index No.	Part No.	Description	No. Required	Index No.	Part No.	Description	No. Required
	A-74576	CARBURETOR (Till. Model HP 19B)		32	†28130	WASHER—flat	1
		Includes			†73078	NEEDLE and SEAT	1
1	†71519	SCREW—throttle	1			Includes	
2	73272	SHUTTER—throttle	1	33	55344	GASKET	1
3	73067	SCREW—plug	1	34	*	SEAT	1
4	†60051	BALL—check	1	35	*	NEEDLE	1
5	†73424	SEAT—idle check valve	1	36	†73079	LEVER—inlet control	1
6	71516	SCREW—plug	2	37	73071	GASKET—main diaphragm	1
7	†AA-73615	SCREW—(includes copper washers)	1	38	†73070	DIAPHRAGM—main	1
	73616	WASHER—(included with index No. 7)	2	39	74864-1	COVER—diaphragm	1
8	71494	PIN—choke friction	1	40	†74865	DIAPHRAGM—fuel pump	1
9	73264	SPRING—choke friction	1	41	74962	GASKET—fuel pump	1
10	73077	SCREEN—inlet connection	1	42	A-77134	BODY—fuel pump	1
11	73266	GASKET—inlet	1			Includes	
12	72812	BUSHING	2	43	†74867	SCREEN—fuel inlet	1
13	A-73763-A	SUPPLY LINE—(pump to carb. inlet)	1	44	74917	ELBOW—fuel inlet connection	1
14	S-740	ELBOW	1	45	†55316	SCREW—long, with washer	6
15	73831	SHAFT—throttle	1	46	A-73765-A	**LINE—activator (from crankcase)	1
16	†73832	LEVER—throttle shaft	1	47	73865	ELBOW—45°	2
17	†83008	WASHER—lock	2	48	†73082	SPRING—inlet control	1
18	†71521	SCREW	1	49	†73085	SCREW	1
19	†28048	SCREW—set	1	50	73425	GASKET	1
	AA-73269	SCREW—main adjusting	1	51	†73084	NOZZLE—main	1
		Includes		52	74060	GASKET	1
20	†73083	SCREW	1	53	73423	LEVER—choke	1
21	28058	NUT	1	54	73086	CLIP	1
22	15037	PACKING	1	55	83000	WASHER—lock	1
23	28057	GLAND	1	56	73088	SCREW	1
24	28055	GASKET	1	57	†71509	SCREW—idle stop	1
25	80012	SCREW—choke shutter	1	58	†28064	SPRING—idle stop	1
26	74718	SHUTTER—choke	1	59	†71521	SCREW—(same as index No. 18)	1
27	73268	GASKET	1	60	71520	LEVER—throttle stop	1
28	†73080	SCREW	1	61	†71518	SPRING—throttle retaining	1
29	73267	CAP	1	62	73427	PIN—throttle stop	1
30	†73074	SCREW	1	63	†77126	GASKET SET	1
31	†73075	SPRING	1	64	77125	KIT—repair parts	1

* Not sold separately

† Included in 77125 repair parts kit

** Not a part of Carburetor A-74576

HOMELITE CHAIN SAW MODEL 8-29

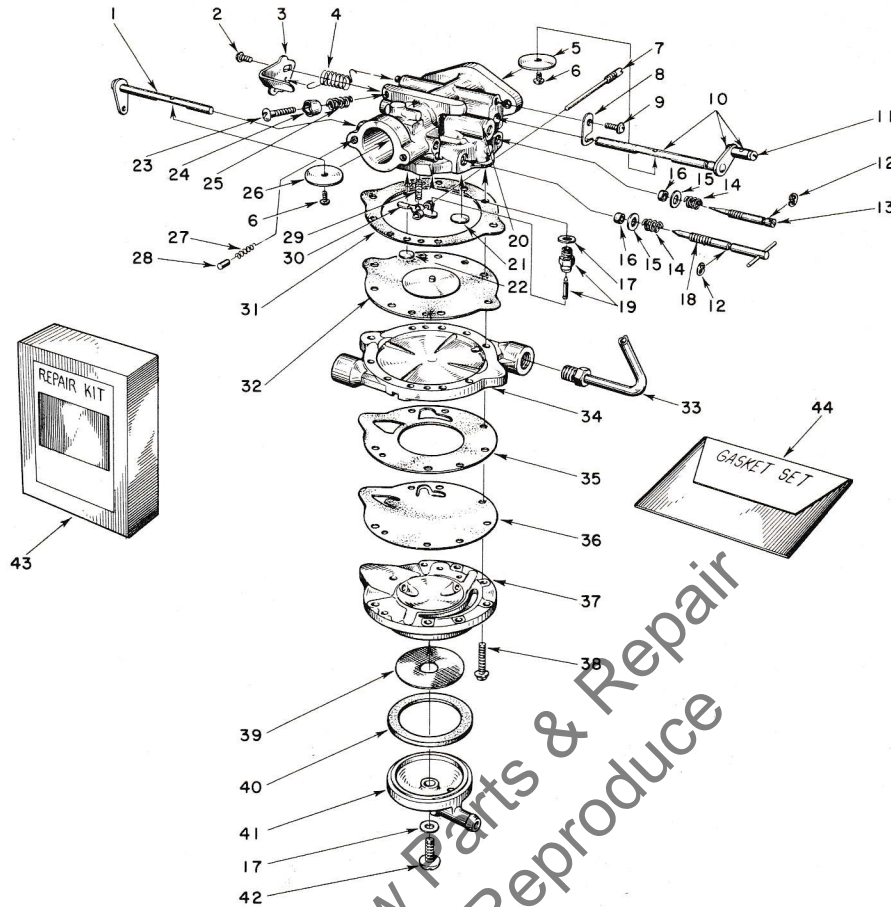


FIGURE 6 — BROWN CARBURETOR PARTS
SEPT. 1958

Index No.	Part No.	Description	No. Required	Index No.	Part No.	Description	No. Required
	A-74866	CARBURETOR (Brown Model 1-GS)	1			Includes	
		Includes		21	†74977	PLUG—Welch	1
1	A-74992	SHAFT & LEVER — choke	1	22	†74978	PLUG—Welch	1
2	‡77042	SCREW—stop lever, 4-40 x 1/4 truss hd.	1	23	77040	SCREW—idle stop, 6-32 x 7/16 rd. hd.	1
3	74989	LEVER—throttle stop	1	24	77011	CUP—idle stop screw	1
4	‡74990	SPRING—throttle return	1	25	77010	SPRING—idle stop screw	1
5	74980	SHUTTER—throttle	1	26	74991	SHUTTER—choke	1
6	77044	SCREW—shutter	2	27	77017	SPRING—choke friction	1
7	‡A-77012	PIN—inlet control lever	1	28	77018	PIN—choke friction	1
8	‡74981	CLIP—throttle shaft	1	29	‡77015	SPRING—tension	1
9	‡77041	SCREW—6-32 x 1/4 pan hd.	1	30	‡77016	LEVER—inlet control	1
10	A-74983	SHAFT & LEVER—throttle	1	31	†77030	GASKET—main diaphragm	1
		Includes		32	†A-77236	DIAPHRAGM—main	1
11	77045	SCREW—swivel, 6-32 x 1/4 rd. hd.	1	33	A-77037	LINE—activator (not part of A-74866 Carburetor)	1
12	‡77004	CLIP—spring retaining	2	34	77024	COVER—main diaphragm	1
13	‡A-77251	SCREW—idle adjustment (includes 77004 clip)	1	35	†77025	GASKET—pump body	1
14	‡77005	SPRING—adjustment screw	2	36	†77026	DIAPHRAGM—pump	1
15	‡77006	WASHER—flat	2	37	77027	BODY—fuel pump	1
16	‡77007	RING—square	2	38	77160	SCREW—body, 6-32 x 3/4 pan hd.	6
17	‡77267	GASKET—copper	2	39	‡77028	SCREEN—fuel inlet strainer	1
18	‡A-77001	SCREW—main adjustment (includes 77004 clip)	1	40	†77029	GASKET—strainer	1
19	‡A-74996-A	NEEDLE & SEAT—inlet (includes 77267 gasket)	1	41	77031	COVER—fuel pump	1
20	A-77060	BODY—service	1	42	77043	SCREW—turret, 8-32 x 7/16 truss hd.	1
				43	77033	KIT—repair parts (RK-150)	1
				44	‡77032	GASKET SET (GS-150)	1

† Included in 77032 Gasket Set.

‡ Included in 77033 Repair Parts Kit.

HOMELITE CHAIN SAW MODEL 8-29

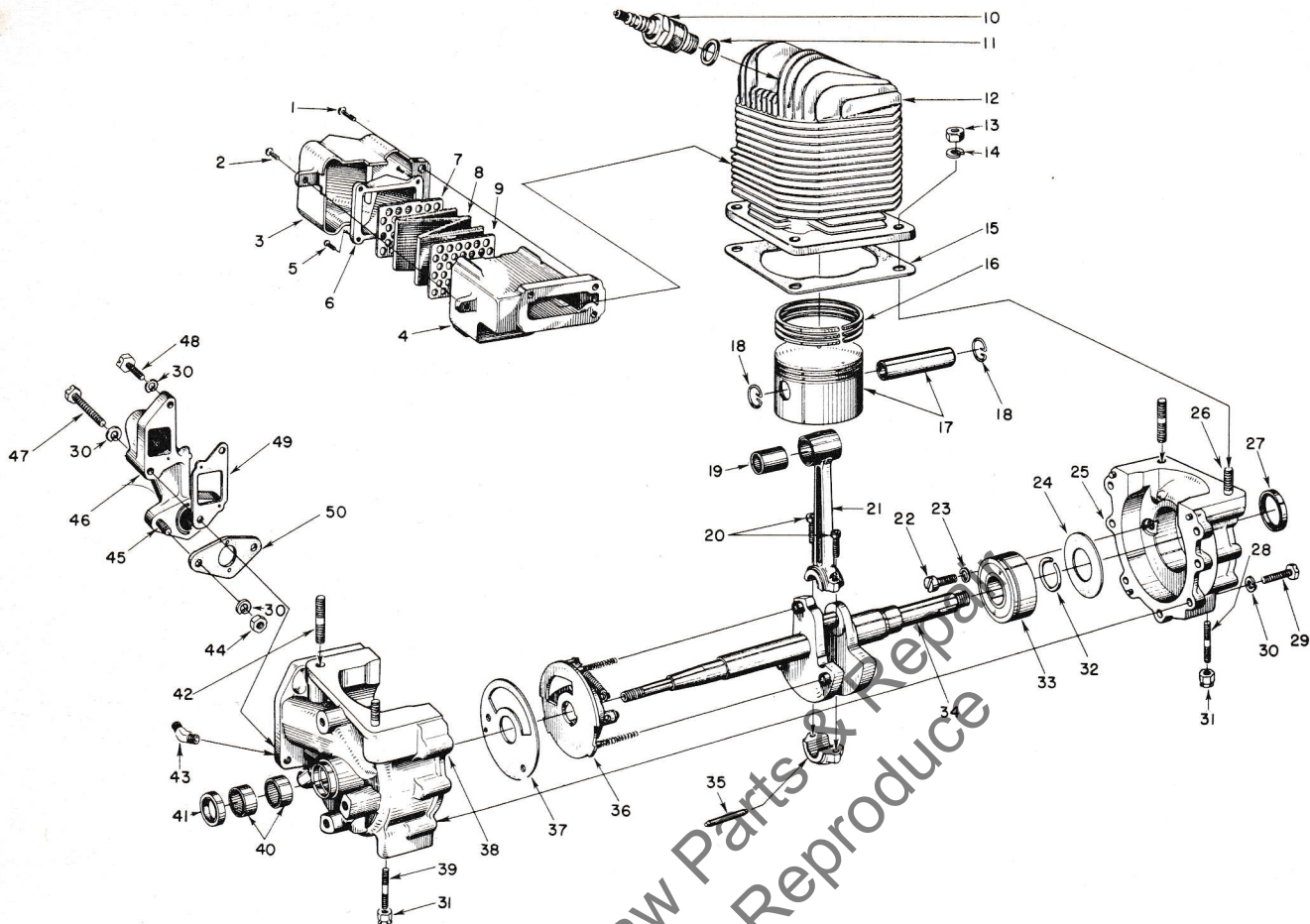


FIGURE 7 — ENGINE

SEPT. 1958

Index No.	Part No.	Description	No. Required	Index No.	Part No.	Description	No. Required
1	80057	SCREW— $\frac{1}{4}$ -20 x $\frac{7}{8}$ pan hd.	3	26	72787	STUD	2
2	80579	SCREW—10-32 x $\frac{3}{8}$ pan hd.	1	27	72413	SEAL—garlock	1
3	73751	DAMPER—heat	1	28	55871	STUD	1
4	A-73757	MUFFLER	1		*	PIN—dowel	5
		Includes		29	80181-1	SCREW— $\frac{1}{4}$ -20 x $\frac{7}{8}$ hex. hd.	7
5	80571	SCREW—6-32 x $\frac{3}{8}$ pan hd.	4	30	83009	WASHER— $\frac{1}{4}$ lock	11
6	73753	CAP—muffler	1	31	81114	NUT— $\frac{1}{4}$ -28 flex-lock	2
7	73756	RETAINER (outer)	1	32	50033	RING—retaining	1
8	73754	ELEMENT—muffler	1	33	71164-A	BEARING—main	1
9	73755	RETAINER (inner)	1	34	A-77159	CRANKSHAFT	1
10	72858	SPARK PLUG—Champion HO-3 (w/gasket)	1	35	AA-72206	ROLLERS (set of 31 needles)	1
11	25038	GASKET (included with spark plug)	1	36	A-6051	GOVERNOR	1
12	A-74472	CYLINDER	1		A-77127	CRANKCASE (front half)	1
13	25412	NUT— $\frac{5}{16}$ -24 hex.	4			Includes	
14	83042	WASHER— $\frac{5}{16}$ Lock	4	37	72767-A	PLATE—intake valve	1
15	74139	GASKET—cylinder	1	38	*	CRANKCASE	1
16	74626-1	RING—piston	3	39	55871	STUD (same as index No. 29)	1
17	A-74705	PISTON and PIN	1	40	73557	BEARING—needle	2
		Includes		41	71110	SEAL—garlock	1
18	25502	RING—snap	2	42	72787	STUD (same as index No. 27)	2
	A-74552-A	ROD—connecting	1		*	PIN—dowel	2
		Includes		43	†73865	ELBOW—activator line (illustrated)	1
19	71167	BEARING—piston pin	1		‡77034	ADAPTER—activator line (not shown)	1
20	80492	SCREW—10-32 x $\frac{1}{2}$ Allen cap	2	44	81013	NUT— $\frac{1}{4}$ -20 hex	2
21	*	ROD (includes cap)	1	45	27464	STUD	2
22	19238-A	SCREW—main bearing retaining	2	46	74386-A	MANIFOLD—intake	1
23	83061	WASHER—lock (special thin)	2	47	80447-1	SCREW— $\frac{1}{4}$ -20 x $1\frac{1}{8}$ hex hd.	1
24	71106	GASKET—sealing	1	48	80218-1	SCREW— $\frac{1}{4}$ -20 x $\frac{3}{4}$ hex hd.	1
25	A-74706	CRANKCASE—rear half	1	49	72969	GASKET—intake manifold	1
		Includes		50	73460-A	GASKET—carburetor flange	1

* Not sold separately

† Fits activator line for Tillotson carburetor only.

‡ Used in place of index No. 44 for Brown carburetor only.

HOMELITE CHAIN SAW MODEL 8-29

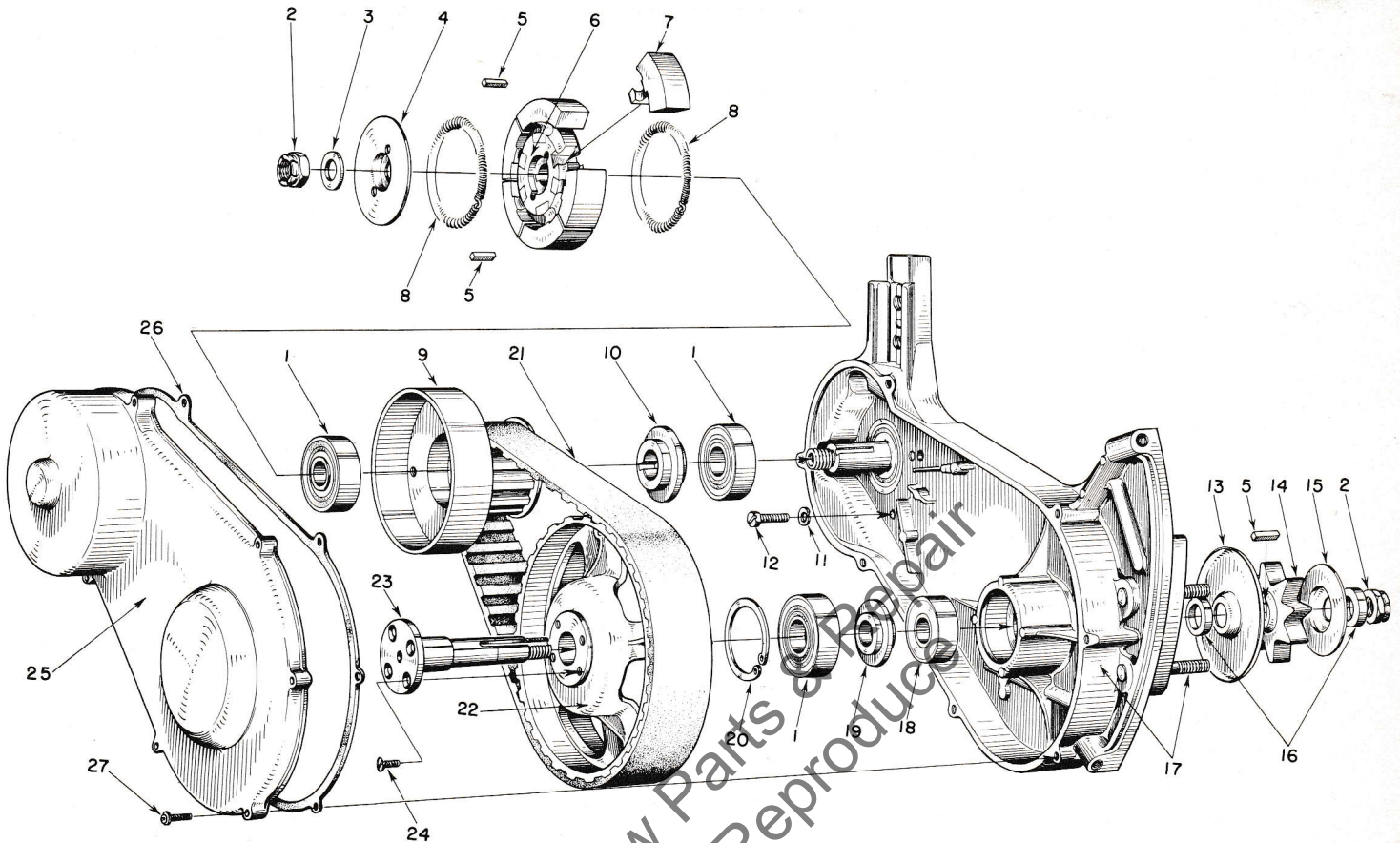


FIGURE 8 — DRIVE CASE

SEPT. 1958

Index No.	Part No.	Description	No. Required
1	72514	BEARING	3
2	81101	NUT	2
3	71193-B	WASHER—flat 1/2"	1
4	73131	COVER—clutch	1
5	73215	KEY—3/16 sq. x 7/16	3
	AA-73213	CLUTCH	1
		Includes	
6	73064	SPIDER	1
7	73063	SHOE	6
8	73214	SPRING	2
9	A-77284	DRUM—clutch (includes sprocket)	1
10	73045	SPACER	1
11	83009	WASHER—1/4 lock	4
12	80218-1	SCREW—1/4-20 x 3/4 hex. hd.	4
13	73771	FLANGE—sprocket, inner	1
14	†73860	SPROCKET—3/16"-7 tooth	1

Index No.	Part No.	Description	No. Required
	††73252-1	SPROCKET—1/2"-8 tooth	1
15	73253	FLANGE—sprocket, outer	1
16	73254-A	SPACER—sprocket	2
17		DRIVE CASE (See Figure 9 for breakdown)	1
18	72328	BEARING (small)	1
19	71819-B	SPACER—sprocket shaft bearing	1
20	31080	RING—retaining	1
21	77283	BELT—drive	1
22	77282	PULLEY—sprocket	1
23	71817-C	SHAFT—sprocket	1
24	80659	SCREW—12-28 x 1/2 Allen flat hd.	4
25	AA-73217	COVER—drive case	1
		Includes	
26	72195-D	GASKET—drive case cover	1
27	80568	SCREW—8-32 x 7/8 pan hd.	7

† For use with #4 chain
 †† For use with #10 chain

HOMELITE CHAIN SAW MODEL 8-29

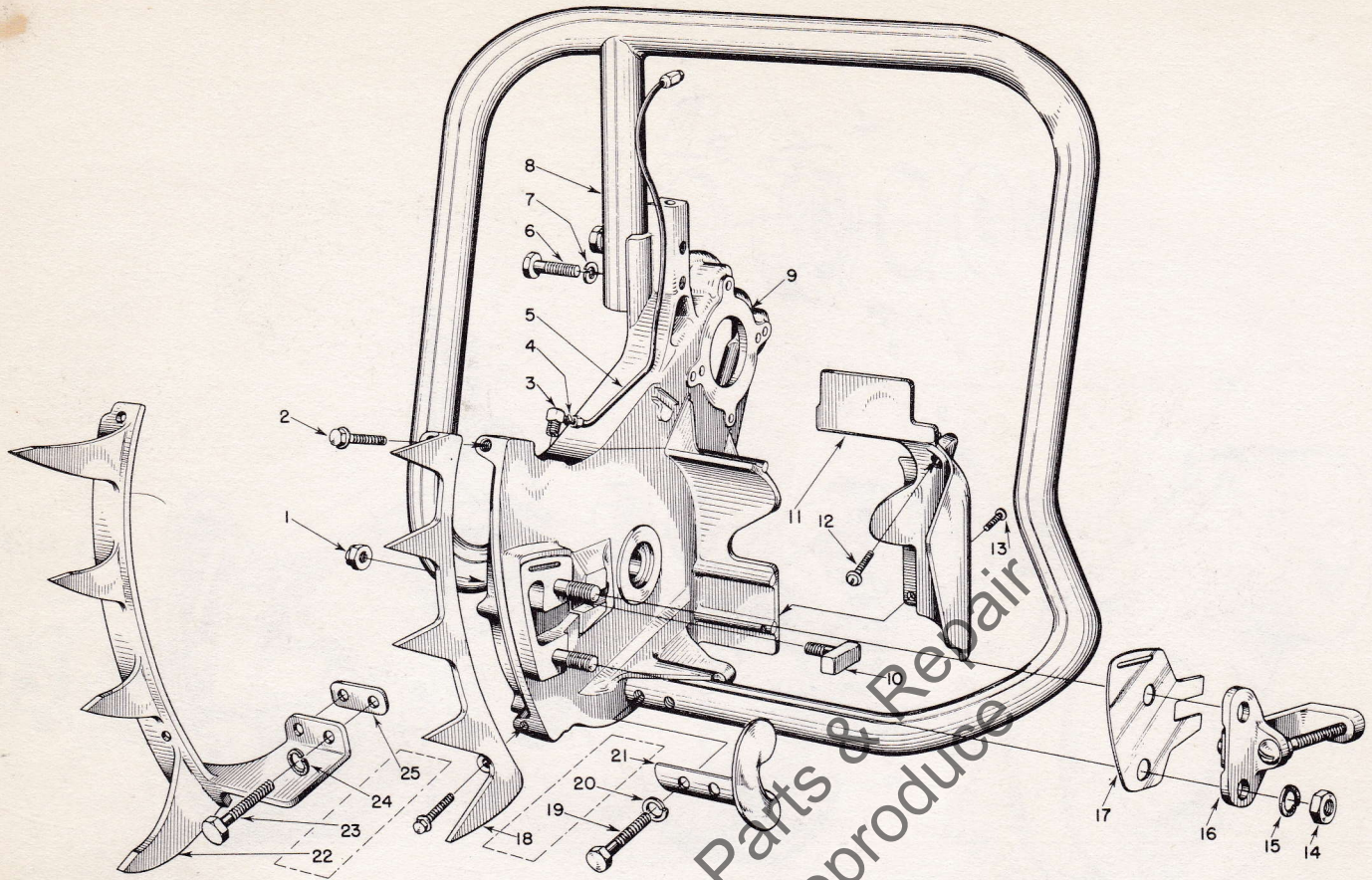


FIGURE 9 - SAW END GROUP

SEPT. 1958

Index No.	Part No.	Description	No. Required
1	81102	NUT— $\frac{5}{16}$ -18	1
2	80573	SCREW— $\frac{1}{4}$ -20 x $1\frac{3}{16}$ hex. hd.	2
3	31734	ELBOW—connector	1
4	31733-1	ADAPTER—straight	1
5	AA-72444	OIL LINE	1
6	80087	SCREW— $\frac{5}{16}$ -18 x $1\frac{1}{2}$ hex. hd.	2
7	83003	WASHER— $\frac{3}{16}$ lock	4
8	A-73893	HANDLE	1
9	A-74707	DRIVE CASE	1
		Includes	
	74582	STUD—guide bar (shown assembled)	2
10	74630	KEY—guide bar	1
11	73048	SHIELD—sawdust	1
12	80567	SCREW—8-32 x $\frac{3}{4}$	1
13	80560	SCREW—8-32 x $\frac{1}{2}$ pan hd.	1
14	81089	NUT— $\frac{3}{8}$ -16 hex. hd.	2
15	83018	WASHER— $\frac{3}{8}$ lock	2
16	**	DEVICE—chain tension	1

Index No.	Part No.	Description	No. Required
		Includes	
	71946-A	BRACKET—tension adjusting	1
	AA-72407	PLATE—adjusting (w/screw)	1
17	72374	SHIM—guide bar	1
	**	PARTS GROUP (for short spike model 8-29)	
		Includes	
18	73420	PLATE—spiked bumper, short	1
19	80087	SCREW (same as index No. 6)	2
20	83003	WASHER (same as index No. 7)	2
21	72223	GUARD—handle	1
	**	PARTS GROUP (for long spike model 8-29A)	1
		Includes	
22	72739-A	PLATE—spiked bumper, long	1
23	80197	SCREW— $\frac{5}{16}$ -18 x 2 hex. hd.	2
24	83003	WASHER— $\frac{3}{16}$ (same as index No. 7)	2
25	73281	SPACER—handle	1
26	A-74201	BRACE—handle (w/screw and nut)	1

** Order individual pieces

HOMELITE CHAIN SAW MODEL 8-29

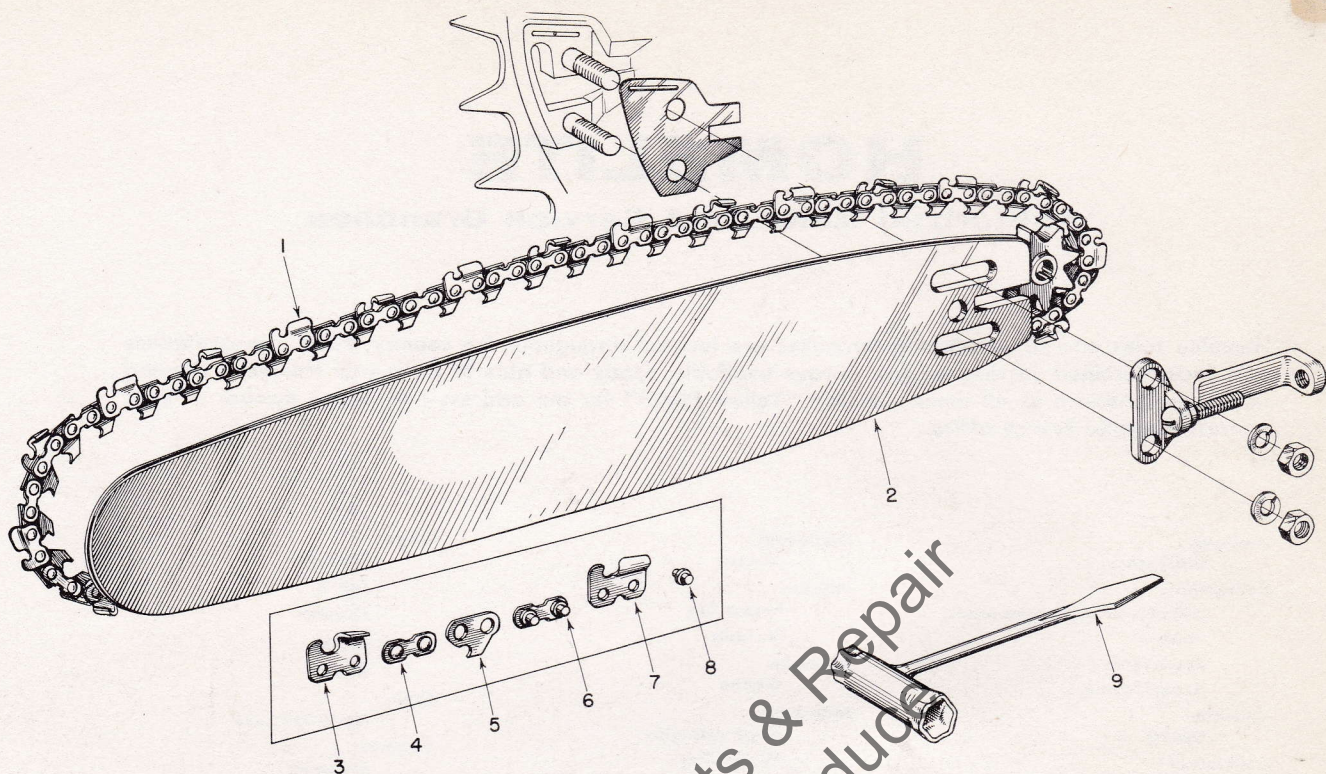


FIGURE 10 — STRAIGHT BLADE PARTS

SEPT. 1958

Index No.	Part No.	Description	No. Required	Index No.	Part No.	Description	No. Required
		OREGON #4C, $\frac{9}{16}$ Pitch CHIPPER CHAIN			73336-1	44" BAR—extra hard tip	1
1	AA-72977	18" CHAIN w/kit	1		73565-1	50" BAR—extra hard tip	1
	AA-72978	23" CHAIN w/kit	1		73562-1	60" BAR—extra hard tip	1
	AA-72979	28" CHAIN w/kit	1		AA-72973	KIT—#4C Chain repair (packaged with chain)	1
	AA-72983	33" CHAIN w/kit	1			Includes	
	AA-72981	38" CHAIN w/kit	1	3	72597-2	CUTTER—right	1
	AA-72982	42" CHAIN w/kit	1	4	72595	LINK—connecting (plain)	2
	AA-72984	44" CHAIN w/kit	1	5	72974	LINK—drive	1
	AA-73564	50" CHAIN w/kit	1	6	AA-73603	LINK—connecting, w/rivets	2
	AA-73563	60" CHAIN w/kit	1	7	72979-1	CUTTER—left	1
		OREGON #10C, $\frac{1}{2}$ Pitch CHIPPER CHAIN		8	72959	RIVET	4
1	AA-73338	18" CHAIN w/kit	1		AA-73314	KIT—10C Chain repair (packaged with chain)	1
	AA-73340	23" CHAIN w/kit	1			Includes	
	AA-73342	28" CHAIN w/kit	1	3	72964	CUTTER—right	1
	AA-73344	33" CHAIN w/kit	1	4	72960	LINK—connecting (plain)	2
	AA-73346	38" CHAIN w/kit	1	5	73383	LINK—drive	1
	AA-73350	44" CHAIN w/kit	1	6	AA-72961	LINK—connecting, w/rivets	2
	AA-73597	50" CHAIN w/kit	1	7	72963	CUTTER—left	1
	AA-73598	60" CHAIN w/kit	1	8	72959	RIVET	4
2	A-74318	18" BAR—track hardened plus extra hard tip	1	9	22808	WRENCH—combination	1
	A-74323	23" BAR—track hardened plus extra hard tip	1		22670	FILE HOLDER— $\frac{1}{2}$ " pitch	1
	A-74328	28" BAR—track hardened plus extra hard tip	1			Includes	
	73330-1A	33" BAR—Oregon Otronic	1		22676-2	FILE— $\frac{1}{4}$ " round	1
	73332-1	38" BAR—extra hard tip	1		22944	FILE HOLDER— $\frac{9}{16}$ " pitch	1
						Includes	
					22970	FILE— $\frac{3}{32}$ " round	1

HOMELITE

Authorized Sales and Service Branches

Homelite sales and service factory branches are located throughout the country. Field representatives and factory-trained servicemen are always available, ready and able to keep your Homelites running in top performance at all times. See the "Yellow Pages" for the address and phone number of your nearest Homelite Branch office.

Alabama Birmingham	Mississippi Jackson	Texas Cleveland Dallas Houston Lufkin Silsbee
California Alhambra (Los Angeles area) Fresno Sacramento S. San Francisco	Missouri Kansas City St. Louis	Utah North Salt Lake
Colorado Denver	Nebraska Omaha	Virginia Arlington Richmond Roanoke
Connecticut Byram Hartford	New Jersey North Arlington Woodbridge	Washington Seattle Spokane
Florida Jacksonville Miami	New York Buffalo Latham (Albany area) Rochester Syracuse	West Virginia Charleston Clarksburg
Georgia Atlanta	North Carolina Charlotte Raleigh	Wisconsin Milwaukee Green Bay
Illinois Bloomington Springfield Stone Park (Chicago area)	Ohio Cincinnati Cleveland Toledo	
Indiana Indianapolis	Oklahoma Oklahoma City	
Louisiana Bossier City Metairie	Oregon Portland	DOMINION OF CANADA TERRY MACHINERY CO., LTD.
Maine Orono	Pennsylvania Altoona Erie Harrisburg Hazleton Malvern Philadelphia Pittsburgh	Quebec Montreal
Maryland Baltimore		Alberta Edmonton
Massachusetts Allston (Boston area)		British Columbia Vancouver
Michigan Detroit Escanaba Grand Rapids Saginaw		New Brunswick Moncton
Minnesota St. Paul	Tennessee Knoxville Memphis	Ontario Ottawa Toronto

HOMELITE

a division of Textron Inc.
PORT CHESTER, N. Y., U. S. A.