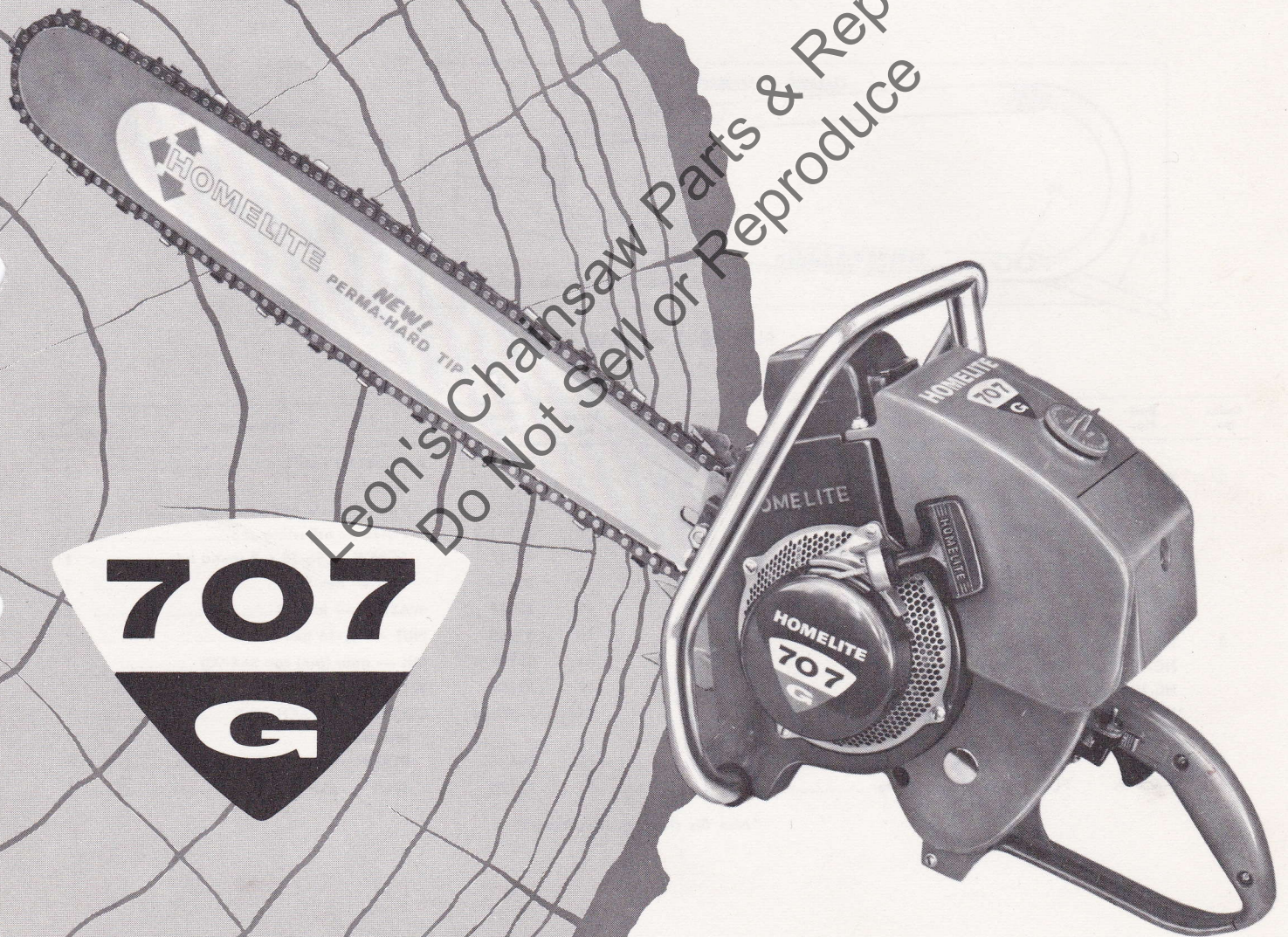
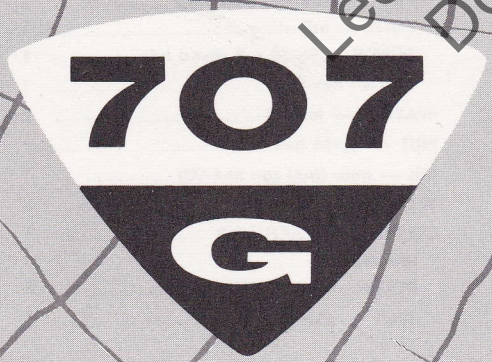


# HOMELITE CHAIN SAW

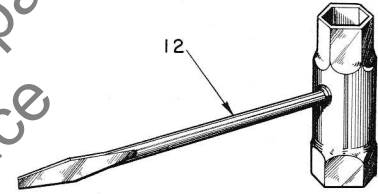
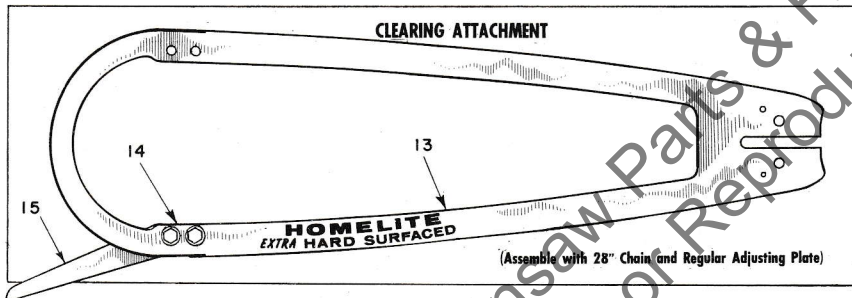
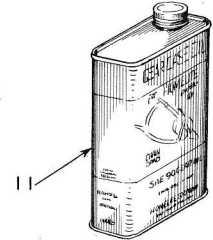
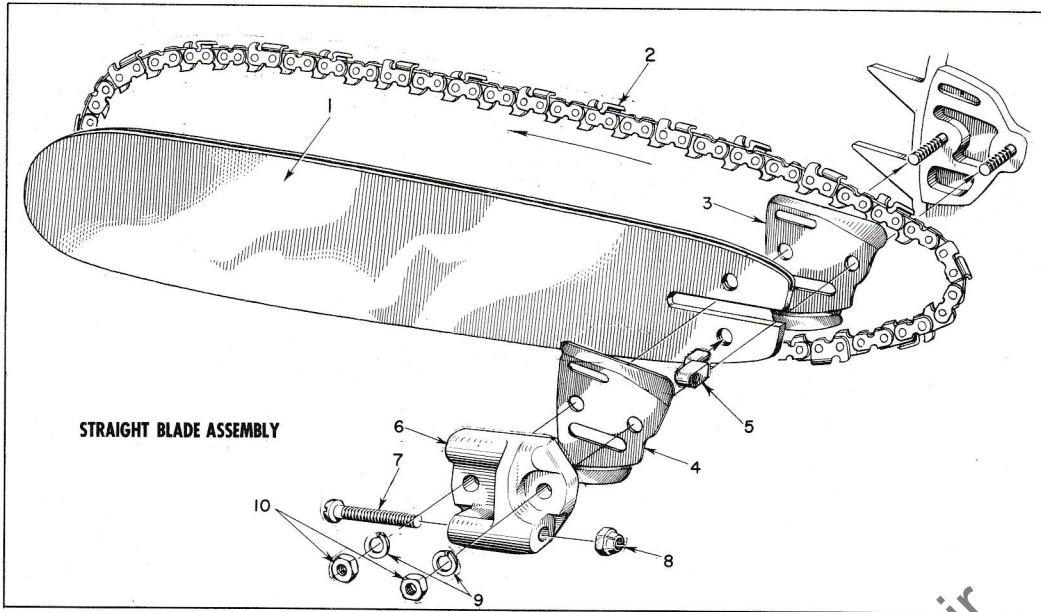


*Leon's Chainsaw Parts & Repair  
Do Not Sell or Reproduce*



## PARTS LIST

# HOMELITE CHAIN SAW MODEL 707 G



**FIGURE 1 SAW PARTS**

Index No.	Part No.	Description	No. Required
<b>INDUCTION HARDENED HOMELITE GUIDE BARS</b>			
1	GW-1416	16" BAR — HOMELITE, welded nose	1
	GW-1719	19" BAR — HOMELITE, welded nose	1
	GW-2123	23" BAR — HOMELITE, welded nose	1
	GW-2528	28" BAR — HOMELITE, welded nose	1
	GW-3033	33" BAR — HOMELITE, welded nose	1
	HT-1416	16" BAR — HOMELITE	1
		1/2" pitch — HOMELITE CHAIN — .063 gauge	
2	HC-1044-L	16" CHAIN — with kit	1
	HC-1051-L	19" CHAIN — with kit	1
	HC-1058-L	23" CHAIN — with kit	1
	*HC-1067-L	28" CHAIN — with kit	1
	HC-1077-L	33" CHAIN — with kit	1
3	56956	PLATE — guide bar, inner	1
4	56957-A	PLATE — guide bar, outer	1

Index No.	Part No.	Description	No. Required
	A-55591	ADJUSTING PLATE	1
		Includes	
5	55552	PIN — guide bar adjusting	1
6	55551-B	PLATE — adjusting	1
7	80617	SCREW — 5/16-18 x 2 round hd.	1
8	81123	NUT — hex lock	1
9	83018	WASHER — lock 3/8	2
10	81089	NUT — 3/8-16 hex	2
11	55291-B	OIL — gear (pint can SAE-90)	1
12	22808	WRENCH — combination	1
13	A-57634	CLEARING ATTACHMENT	1
		Includes	
14	80604	SCREW — 5/16-24 x 3/4 hex hd.	2
15	73820	SPUR — plunging	1

\*Also fits clearing attachment

# HOMELITE CHAIN SAW MODEL 707 G

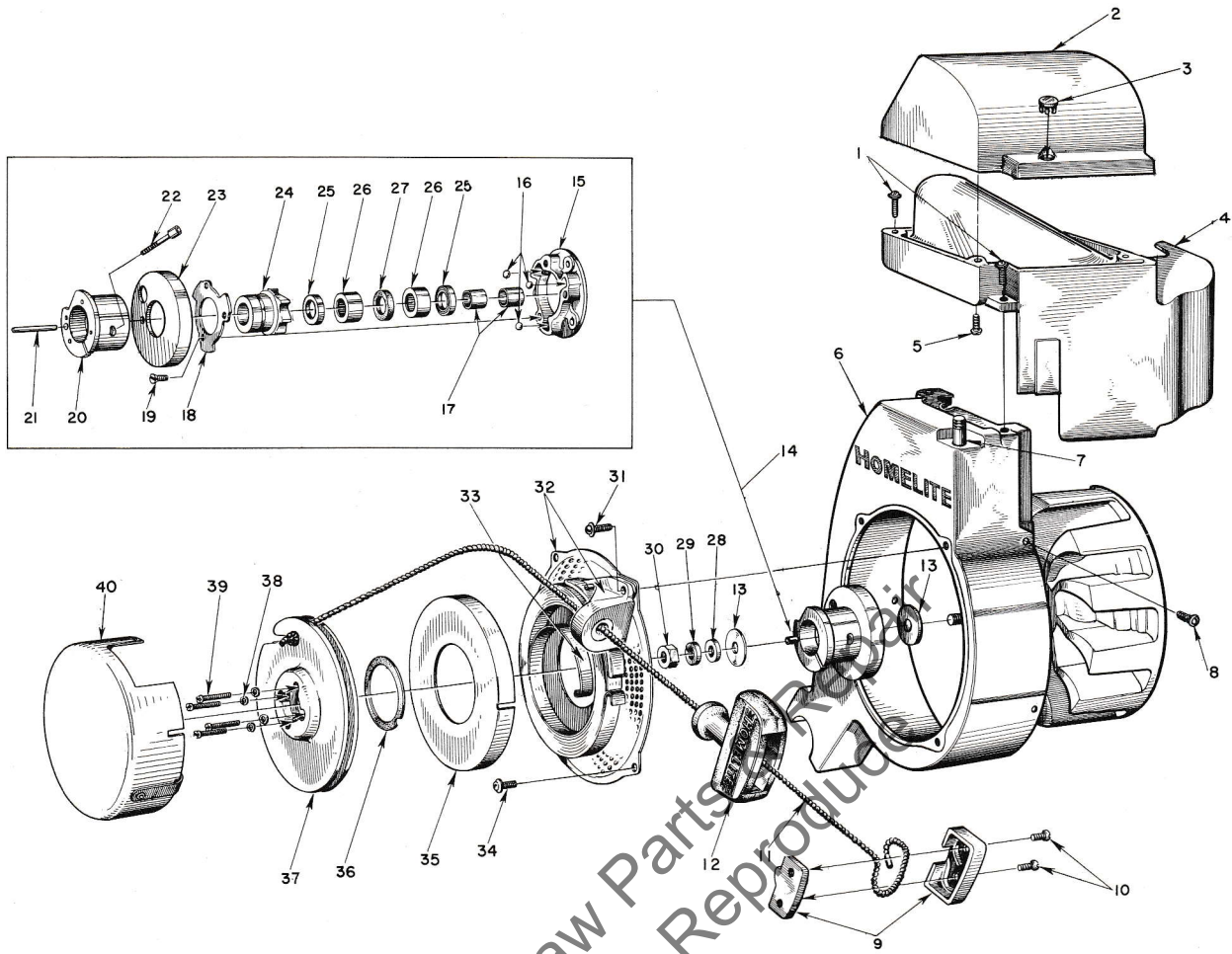


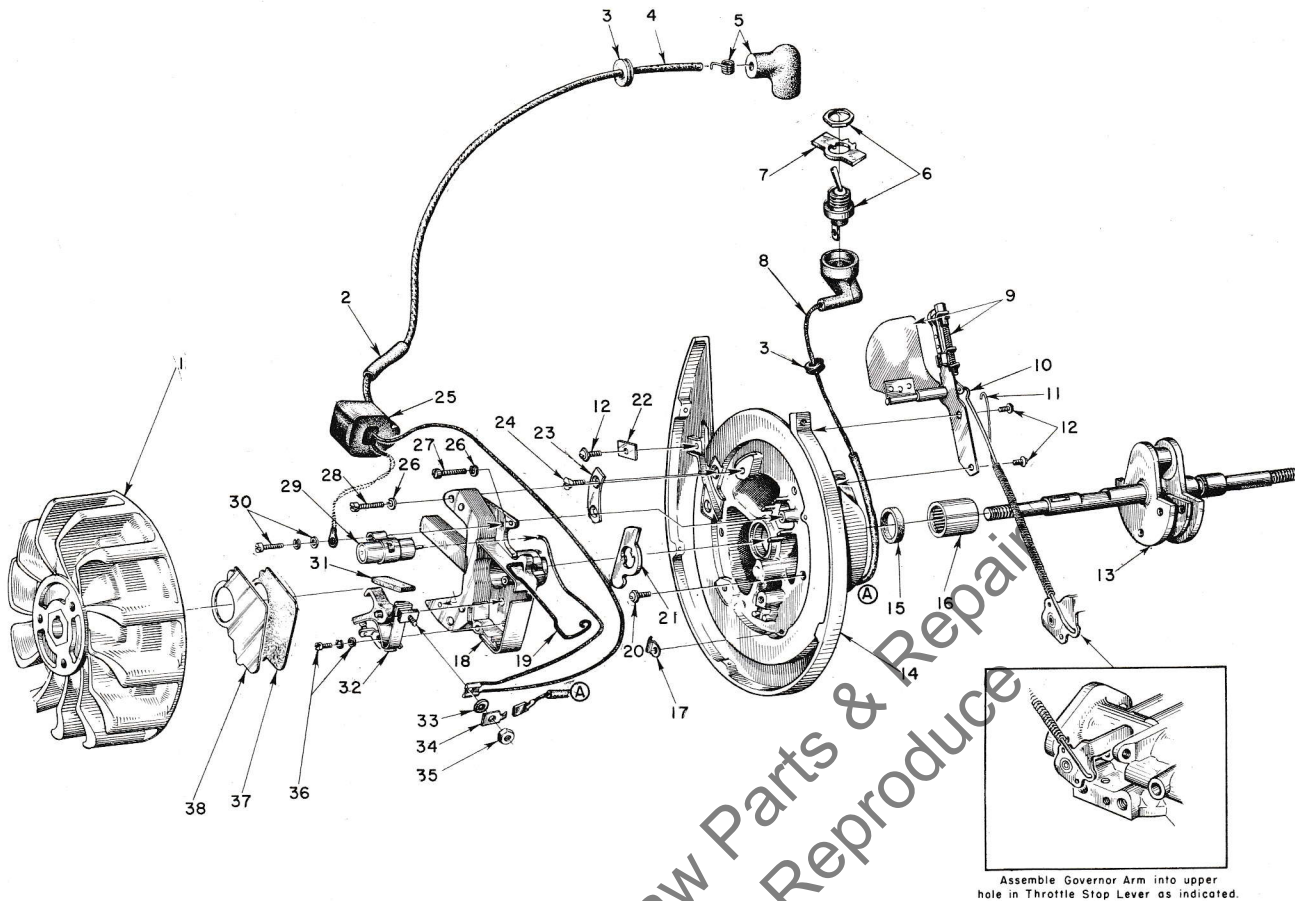
FIGURE 2 — RECOIL STARTER PARTS

Index No.	Part No.	Description	No. Required
1	80560	SCREW—8-32 x 1/2	2
2	56968	CAP—cylinder shield	1
	57029	DECAL—"Homelite"	1
3	32814	PLUG	1
4	57967-2	SHIELD—cylinder	1
5	80513	SCREW—self-tapping #6 x 1/2	4
6	A-57694	FAN HOUSING	1
		Includes	
7	27464	STUD—fuel tank	1
8	80577	SCREW—8-32 x 3/8 pan hd.	4
9	A-56081	INSERT—grip w/cover	1
		Includes	
10	80619	SCREW	2
11	55898	ROPE—nylon	1
12	55937	GRIP—starting	1
13	55585	WASHER—thrust	2
14	A-56906	BALL DRIVE	1
		Includes	
15	55054-A	PLATE—ball drive	1
16	55217	BALL—steel	3
17	55584	SLEEVE	2
18	55097	RETAINER—ball	1
19	80588	SCREW—5-40 x 5/16 flat hd.	3
20	A-57100	HUB	1
		Includes	
21	57065	PIN—spiral	1

Index No.	Part No.	Description	No. Required
22	72295-A	SCREW—hub	1
23	56903	CUP—sealing	1
	AA-55213	RATCHET & BEARING	
		Includes	
24	A-55348	RATCHET—w/washer	1
		Includes	
	55271	WASHER—formica	1
25	55272	SEAL—garlock	2
26	55215	BEARING—needle	2
27	55214	FELT	1
28	84070	WASHER—3/8 flat aluminum	1
29	83018	WASHER—3/8 lock	1
30	81124	NUT—3/8-24 hex	1
31	80576	SCREW—10-32 x 1/16 (through bracket)	1
32	A-55998	SCREEN—air	1
		Includes	
	*A-55999	BRACKET—w/55363-A bushing	1
33	56497	SPRING—recoil	1
34	80579	SCREW—10-32 x 3/8 pan hd.	6
35	71603	COVER—spring housing	1
36	71588	SHIM—plastic	as req'd
37	55362-2	PULLEY	1
38	83004	WASHER—#6 lock	4
39	80475	SCREW—6-32 x 3/4 fl. hd.	4
40	AA-73234-1	COVER—pulley	1
	57897	DECAL — "Homelite" 707 G (pulley cover)	1

\*Assemble to screen with 85073 rivet.

# HOMELITE CHAIN SAW MODEL 707 G



**FIGURE 3 — IGNITION AND GOVERNOR PARTS**

Index No.	Part No.	Description	No. Required	Index No.	Part No.	Description	No. Required
1	55994	ROTOR .....	1	18	57744	BOX—breaker w/core .....	1
2	55290	SLEEVE—insulating .....	1	19	55980	CLAMP—dust cover .....	1
3	60929	GROMMET .....	2	20	80576	SCREW—10-32 x 1/16 pan hd. ....	6
4	55235-A	LEAD—high tension .....	1	21	56292-A	WASHER—sealing .....	1
5	A-55373	TERMINAL (sparky) .....	1	22	55161	CLAMP—outer .....	1
6	A-57716	SWITCH (on-off)—mount on adapter .....	1	23	55962	CLAMP—inner .....	1
		Includes		24	80598	SCREW—6-32 x 5/16 flat hd. ....	2
7	55879	PLATE (on-off) .....		25	55986	COIL (with terminals) .....	1
8	A-57734	LEAD—ground (with sleeve, terminals, grommet & cover) .....	1	26	83046	WASHER—#10 lock .....	3
9	A-55996	GOVERNOR .....	1	27	80595	SCREW—10-24 x 1/2 fil. hd. ....	1
		Includes		28	80660	SCREW—10-24 x 7/8 fil. hd. ....	2
	84066	WASHER—governor arm burr .....	1	29	55987	CONDENSER (with terminal) .....	1
10	55943	ARM—governor .....	1	30	57750	SCREW GROUP—condenser fastening .....	1
11	56179	SPRING .....	1	31	55984	WICK—felt .....	1
12	80575	SCREW—8-32 x 1/4 pan hd. ....	3	32	A-57745	POINTS (set)—with pivot post .....	1
13	A-57541	CRANKSHAFT .....	1	33	55983	WASHER—terminal .....	1
14	A-57697	BACKPLATE .....	1	34	57733	TAB—ground terminal .....	1
		Includes		35	55982	NUT—terminal .....	1
15	56134	SEAL—garlock .....	1	36	57749	SCREW GROUP—point fastening .....	1
16	57533	BEARING—needle .....	1	37	55978-2	GASKET—dust cover .....	1
17	57719	CLAMP—ground lead .....	1	38	55979	COVER—dust .....	1

# HOMELITE CHAIN SAW MODEL 707 G

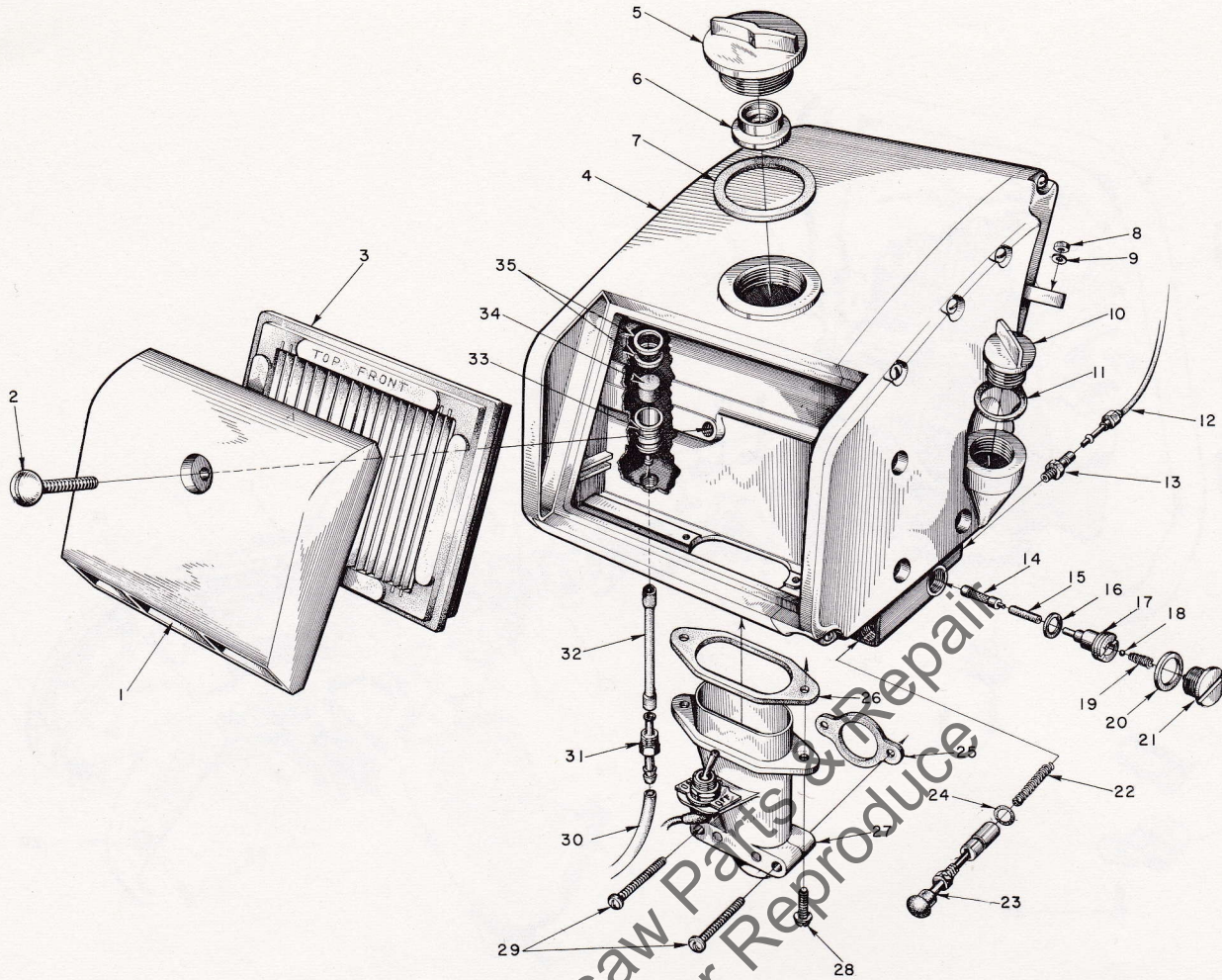
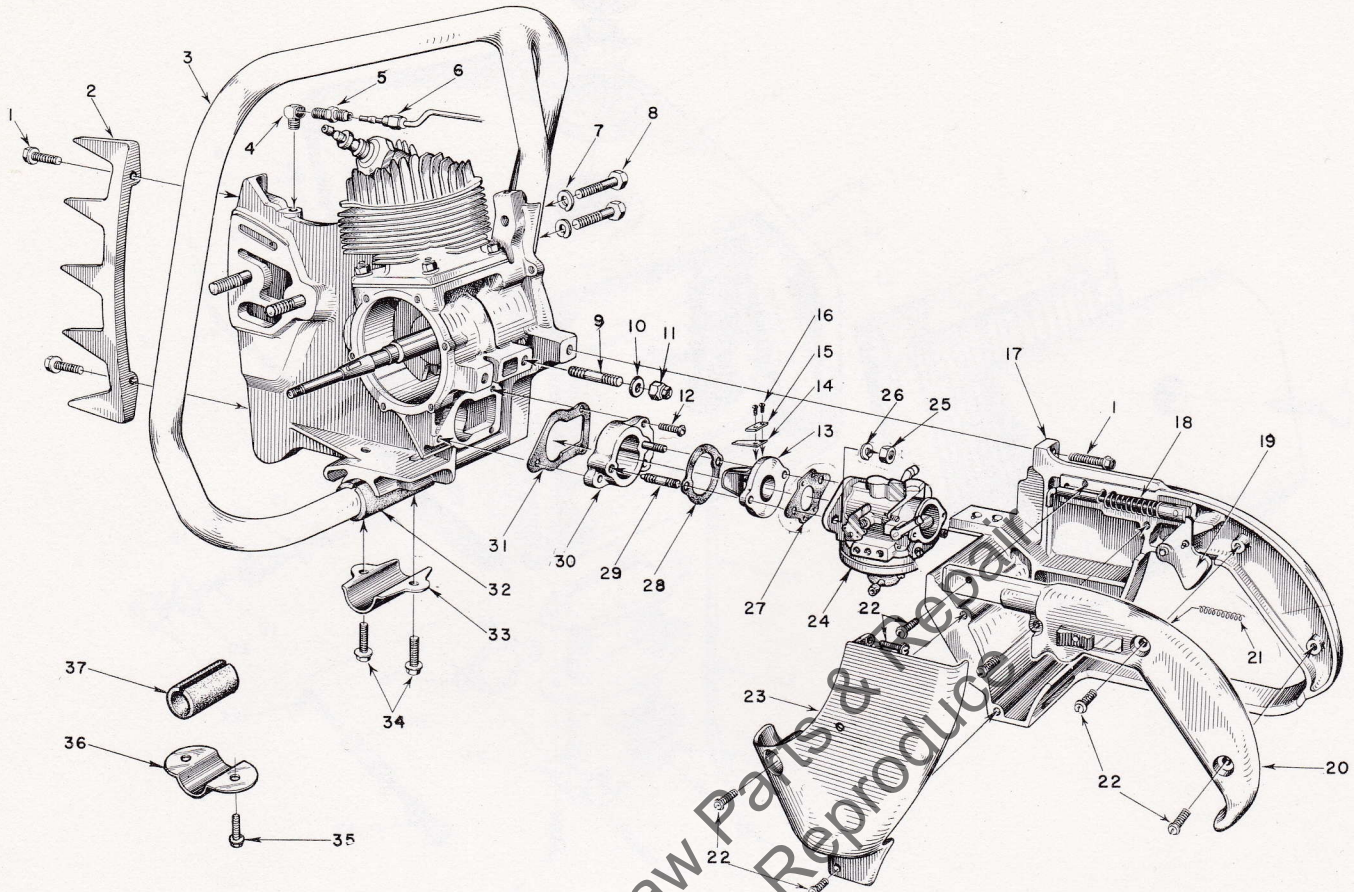


FIGURE 4 — FUEL TANK

Index No.	Part No.	Description	No. Required
1	A-57696	COVER—air filter Includes	1
2	57655	SCREW—cap	1
	81163	NUT—screw retaining (not shown)	1
	57899	DECAL — "Instructions"	1
3	57626	ELEMENT—air filter	1
4	A-57692	FUEL TANK	1
	57896	DECAL — 707 G (fuel tank)	1
	56400	DECAL — "Homelite", (fuel tank)	1
5	A-56907	CAP—fuel Includes	1
6	56865	VALVE—relief	1
7	56335	GASKET	1
8	81108	NUT—flex-lock, 1/4-20	2
9	84020	WASHER—flat 1/4	2
10	A-56580	CAP—oil filter Includes	1
11	56607	GASKET	1
12	AA-55191	LINE—oil	1
13	A-55824	VALVE—check	1
14	AA-55259-A	PICK-UP—oil	1
15	55133-A	SLEEVE—flexible	1
16	55110	GASKET	1

Index No.	Part No.	Description	No. Required
17	55109-A	SEAT—check ball	1
18	25527	BALL—check	1
19	55288-A	SPRING—check valve	1
20	55107	GASKET	1
21	AA-55167	CAP—oil supply line	1
22	71762	SPRING—plunger	1
23	A-57834	PLUNGER—oil Includes	1
24	74388	"O" RING	1
25	72971-1	GASKET—air elbow	1
26	57659	GASKET—adapter	1
27	57618	ADAPTER—air filter	1
28	80572	SCREW—10-32 x 5/8 pan hd.	2
29	80791	SCREW—10-32 x 1 1/8 pan hd.	2
30	55680	LINE—fuel	1
31	57652	FITTING—fuel outlet	1
32	55805	SLEEVE—flexible	1
33	A-56200	BODY—fuel strainer w/brass nail Includes	1
34	74374	FILTER—felt	1
35	56196	BUMPER—rubber	1

# HOMELITE CHAIN SAW MODEL 707 G

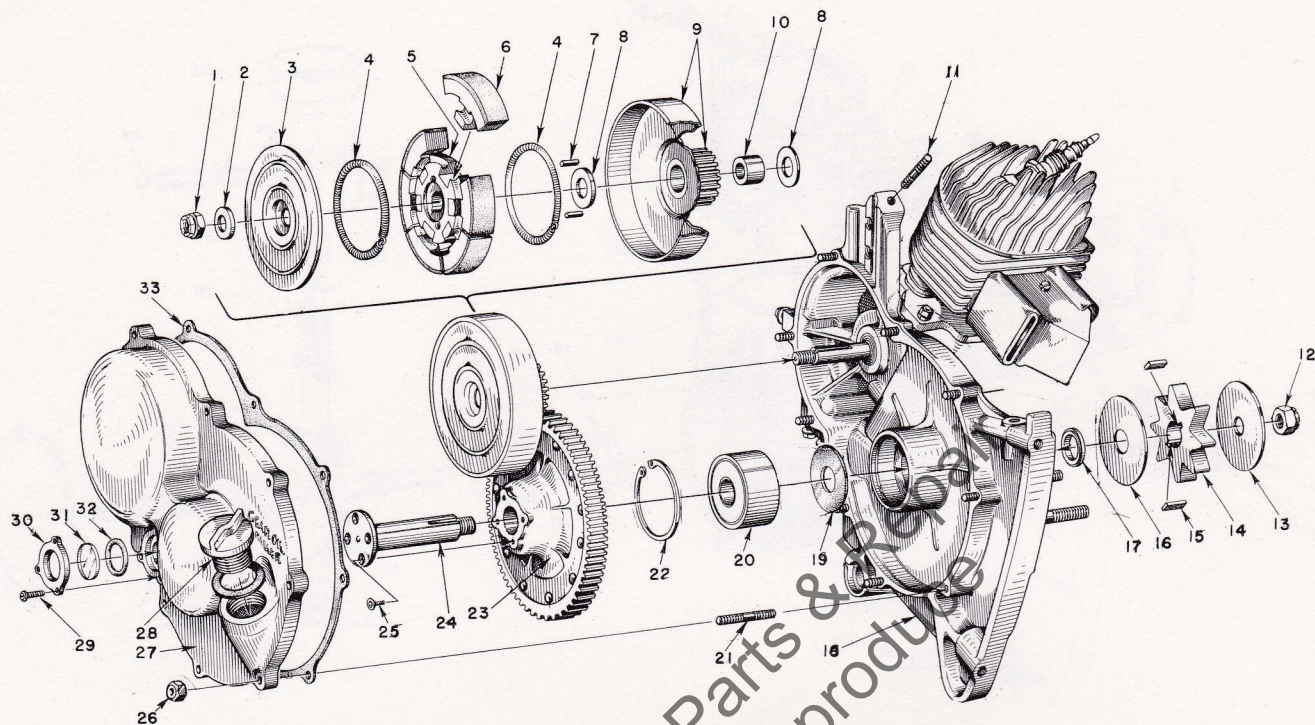


**FIGURE 5 — HANDLE, GRIP AND REED VALVE PARTS**

Index No.	Part No.	Description	No. Required
1	80573	SCREW — 1/4-20 x 1 1/16 hex hd. ....	5
2	55103	PLATE — bumper .....	1
3	A-57671	HANDLE — wrap-around (w/80308 screw) ..	1
	A-57673	HANDLE — flush cut .....	1
4	31734	ELBOW — connector .....	1
5	31733-1	ADAPTER — straight .....	1
6	*	LINE — chain oil (see fig. #4, index #12) ....	1
7	83003	WASHER — 3/16 lock .....	2
8	80087	SCREW — 5/16-18 x 1 1/2 hex hd. ....	2
9	*	STUD — fuel tank (see fig. #7, index #17)....	2
10	84004	WASHER — 1/4 flat .....	2
11	81130	NUT — 1/4-28 flex lock .....	2
12	80583	SCREW — 10-32 x 3/4 pan hd. ....	3
13	55932	ADAPTER — reed valve .....	1
14	55941	REED .....	4
15	55942	PLATE — reed .....	4
16	80658	SCREW — 4-40 x 3/16 pan hd. ....	8
17	AA-55281	GRIP — pistol w/pin and 55372 felt .....	1
18	A-55954	ROD — throttle .....	1
		Includes	
	55045-A	SPRING .....	1
19	AA-55207	TRIGGER — throttle .....	1
20	AA-55228	COVER — pistol grip .....	1

Index No.	Part No.	Description	No. Required
		Includes	
	AA-55282	LOCK — throttle .....	1
		Includes	
21	72970	SPRING — lock .....	1
22	80560	SCREW — 8-32 x 1/2 pan hd. ....	7
23	55104-3	SHIELD — carburetor .....	1
24	A-57798	CARBURETOR ASSEMBLY —	
		Til. No. HL-117-A .....	1
	57843	REPAIR KIT — carburetor .....	1
	57842	GASKET SET — carburetor	
		(part of Repair Kit) .....	1
25	81013	NUT — 1/4-20 hex .....	2
26	83009	WASHER — 1/4 lock .....	2
27	55553	GASKET — carburetor .....	1
28	55946	GASKET — reed adapter .....	1
29	55945	STUD .....	2
30	55933	SPACER — reed adapter .....	1
31	55116	GASKET .....	1
32	55146	CUSHION — handle .....	1
33	55145	CLAMP — handle, drive case .....	1
34	80581	SCREW — 1/4-20 x 5/8 hex hd. ....	2
35	80821	SCREW — 21-24 x 1/2 .....	2
36	56282-A	CLAMP — handle, fan housing .....	1
37	56281	CUSHION — handle .....	1

# HOMELITE CHAIN SAW MODEL 707 G



**FIGURE 6 — GEAR CASE AND SPROCKET PARTS**  
2.84:1 Gear Ratio

Index No.	Part No.	Description	No. Required
1	81116	NUT — 3/8-24 flex-lock	1
2	55036	WASHER — clutch	1
3	55126-A	COVER — clutch	1
4	55123-C	SPRING	2
5	55075-3	SPIDER	1
6	A-55692	SHOE	6
7	55225-1	KEY — clutch	2
8	56132	WASHER — thrust	2
9	†A-56515	CLUTCH DRUM (and drive gear) — 25 teeth	1
10	56133	BEARING — drive gear	1
11	57349	STUD — fuel tank	1
12	81101	NUT — 1/2-20 flex-lock	1
13	56077	WASHER — sprocket (outer)	1
14	**55593-2	SPROCKET — 8 tooth, 1/2" pitch	1
15	56076-1	KEY — sprocket	2
16	56074	WASHER — sprocket (inner)	1
17	56071	SPACER — sprocket	1
18	*	CRANKCASE	1

Index No.	Part No.	Description	No. Required
19	56072	SEAL — formica	1
20	56219-S	BEARING — ball	1
21	57350	STUD — crankcase to cover	9
22	28922	RING — retaining	1
23	‡A-56516	DRIVEN GEAR — 71 teeth	1
24	56070	SHAFT — sprocket	1
25	80651	SCREW — 12-28 x 3/8 flat hd., socket	4
26	81109	NUT — 10-32, flex-lock	9
27	AA-55226-B	COVER — gear case	1
28	A-56580	Includes	
		CAP — oil filler	1
	56607	Includes	
		GASKET — filler cap	1
29	80548	SCREW — binder hd., self tapping	3
30	55098	PLATE — window	1
31	55099	WINDOW — plastic	1
32	55100	GASKET — "O" ring	1
33	55053-A	GASKET — gear case cover	1
	57898	DECAL — "Homelite" 707 G (drive case cover)	1

\*A-57743 — for breakdown see fig. #7, index #11

†For 3.57:1 ratio, order A-56849-21 teeth

For 2:1 ratio, order A-56158 — 32 teeth

‡For 3.57:1 ratio, order AA-56824 — 75 teeth

For 2:1 ratio, order A-56154 — 64 teeth

\*\*For 7 tooth, 1/16" pitch sprocket, order 74481-1

*Always furnish saw model and serial number when ordering parts*

# HOMELITE CHAIN SAW MODEL 707 G

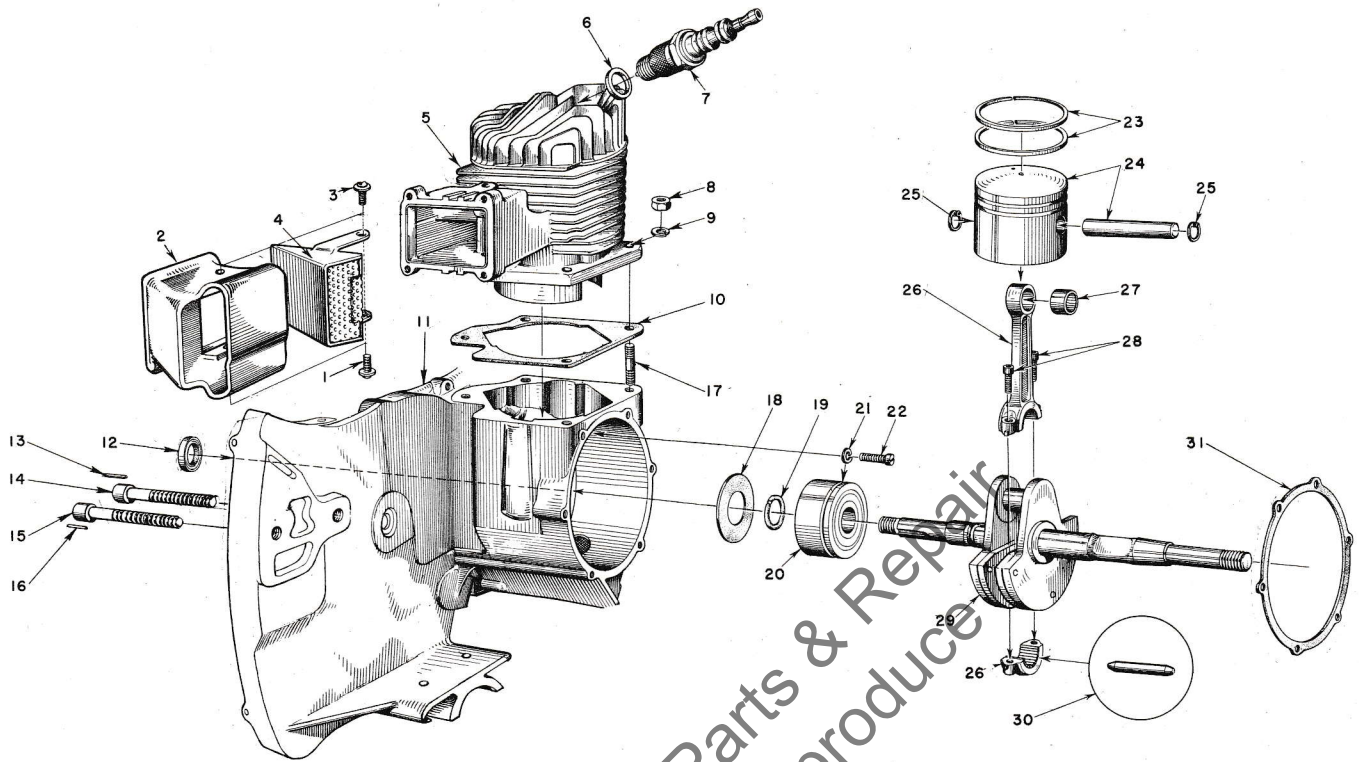


FIGURE 7 — ENGINE ASSEMBLY

Index No.	Part No.	Description	No. Required
1	80625	SCREW — 10-32 x 1/2 pan hd.	1
2	55506-A	DAMPER	1
3	80583	SCREW — 10-32 x 3/4 pan hd.	1
4	A-56613-A	CAP — exhaust, perforated	1
		OR	
	56396	CAP — plain (not illustrated)	1
		and	
	A-56068-A	ELEMENT — wire screen (not illustrated)	1
5	57645	CYLINDER	1
	57645-1	CYLINDER — bow guide	1
6	25038	GASKET (included with spark plug)	1
7	71530-S	SPARK PLUG — Champion HO-8A	1
8	81065-2	NUT — 1/4-28 hex	4
9	83009	WASHER — 1/4 lock	4
10	56864	GASKET — cylinder	1
11	A-57743	CRANKCASE	1
		Includes	
12	56134	SEAL — garlock	1
13	57676	PIN — spirol, guide bar bolt	1
14	57624	BOLT — guide bar (short)	1
15	57625	BOLT — guide bar (long)	1

Index No.	Part No.	Description	No. Required
16	41738	PIN — spirol, guide bar bolt	1
17	55871	STUD — cylinder, fuel tank	6
	57350	STUD — cover (see fig. #6, index #21)	9
	57349	STUD — fuel tank (see fig. #6, index #11)	1
18	55048-A	GASKET — crankcase sealing	1
19	56109	RING — bearing retaining	1
20	56097-S	BEARING — main	1
21	83061	WASHER — lock, special thin	2
22	19238-A	SCREW — main bearing retaining	2
23	56291	RING — piston	2
24	A-57070	PISTON and PIN	1
		Includes	
25	55095	RING — piston pin retaining	2
26	A-57643	CONNECTING ROD	1
		Includes	
27	55196	BEARING — piston pin	1
28	80806	SCREW — 10-32 x 1/16, allen	2
29	*	CRANKSHAFT — see fig. #3, index #13	1
30	AA-72206	ROLLERS (set of 31 needles)	1
31	55049	GASKET — back plate	1



# HOMELITE CHAIN SAW MODEL 707 G

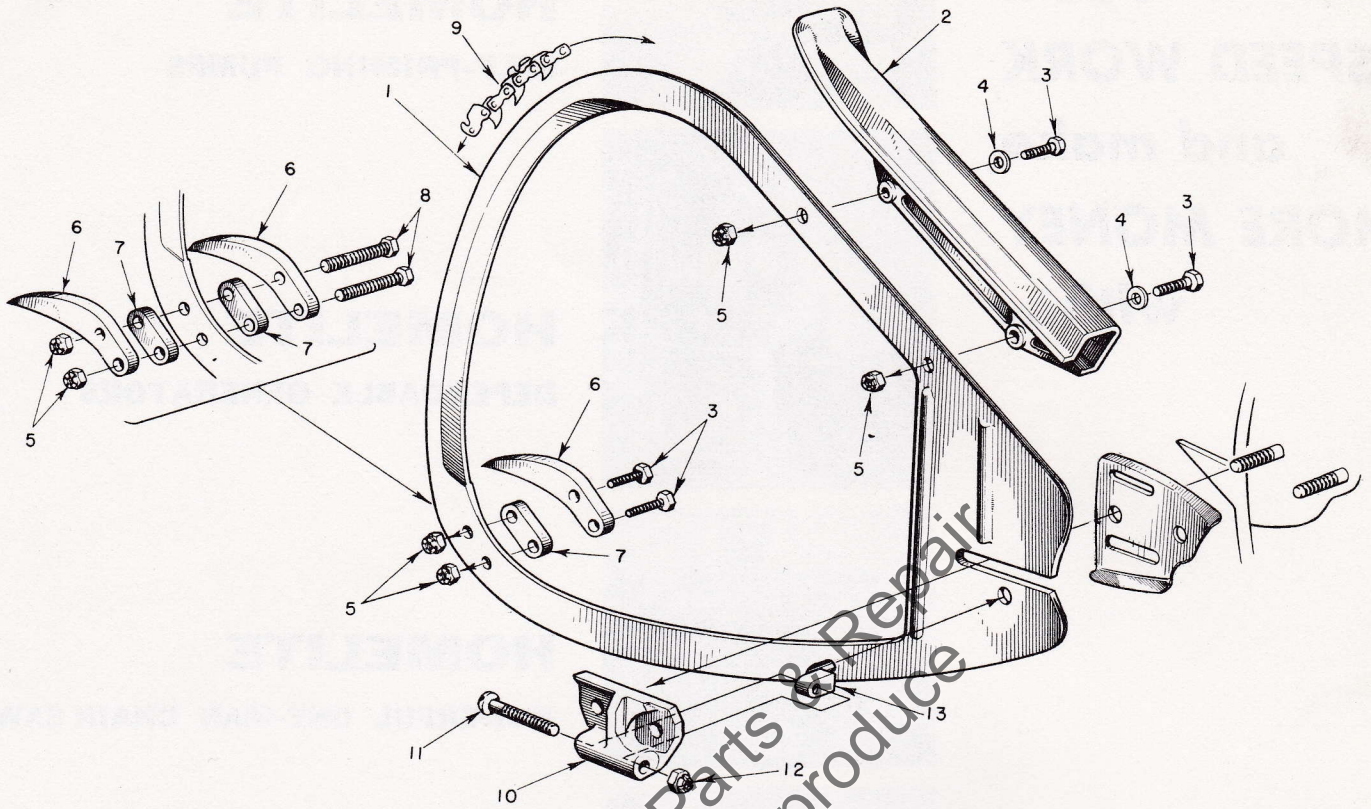


FIGURE 8 — PLUNGE CUT BOW ATTACHMENT

Index No.	Part No.	Description	No. Required	Index No.	Part No.	Description	No. Required
1	A-56486	16" BOW GUIDE	1	8	†80606	SCREW— $\frac{5}{16}$ -20 x $1\frac{3}{4}$ hex	2
2	55948-A	GUARD	1	9	HC-6272-L	16" BOW CHAIN — "Homelite"	1
3	80355	SCREW— $\frac{1}{4}$ -20 x $\frac{1}{2}$ hex	2	10	A-55591-1	ADJUSTING PLATE (bow)	1
4	83009	WASHER— $\frac{1}{4}$ lock	2			Includes	
5	81013	NUT— $\frac{1}{4}$ -20 hex	2	11	80617	SCREW—tension adjusting	1
6	*75728	SPUR		12	81123	NUT	1
7	*75729	SPACER		13	55552	PIN	1

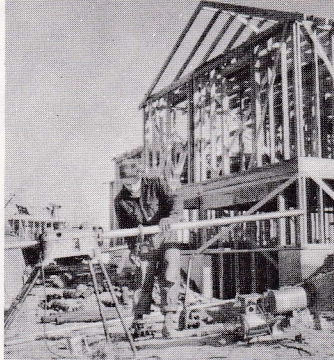
\*Optional Equipment — 1 or 2 per bow.

†Use when bow has two spurs and two spacers

**You'll  
SPEED WORK  
and make  
MORE MONEY  
with...**



**HOMELITE  
SELF-PRIMING PUMPS**



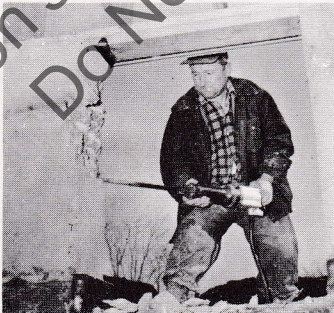
**HOMELITE  
DEPENDABLE GENERATORS**



**HOMELITE  
POWERFUL ONE-MAN CHAIN SAWS**



**HOMELITE  
ONE-MAN CONCRETE VIBRATORS**



**HOMELITE — BOSCH (Germany)  
ELECTRIC BUILDER'S HAMMERS**

**All Powered By Famous HOMELITE Engines**

Homelite's two-cycle gasoline engines are the most efficient and dependable units of their kind ever built. Their two-cycle design, developed to perfection by Homelite engineers over the past 35 years, gives maximum power for the least weight because power is produced at every piston down stroke. As an added advantage, this design requires fewer moving parts which means greater dependability and lower maintenance

**HOMELITE**  
a division of Textron Inc.  
PORT CHESTER, N. Y.